



US00D337453S

United States Patent [19]

[11] Patent Number: **Des. 337,453**

Mattikow

[45] Date of Patent: **** Jul. 20, 1993**

[54] **CASSETTE HOLDER**

[75] Inventor: **Nina Mattikow, Greenwich, Conn.**

[73] Assignee: **Great American Audio Corp., New Rochelle, N.Y.**

[**] Term: **14 Years**

[21] Appl. No.: **687,317**

[22] Filed: **Apr. 18, 1991**

[52] U.S. Cl. **D6/407; D6/450; D6/475**

[58] Field of Search **D6/407, 404, 449-467, D6/475; 312/9.1, 204; 206/387; D7/631, 632, 634; 211/40-42; D21/129, 134**

[56] **References Cited**

U.S. PATENT DOCUMENTS

- D. 141,094 5/1945 Laskey D21/129
- D. 218,561 9/1970 Benton D21/134

- D. 251,403 3/1979 Bosler D6/404
- D. 252,720 8/1979 Taylor D6/450
- 2,774,182 12/1956 Beder D21/129 X

Primary Examiner—Carmen H. Vales-Lado
Attorney, Agent, or Firm—Bryan Cave

[57] **CLAIM**

The ornamental design for a cassette holder, as shown and described.

DESCRIPTION

FIG. 1 is a perspective view of a cassette holder showing my new design, the broken lines showing cassettes are for illustrative purposes only;
 FIG. 2 is a front elevational view thereof;
 FIG. 3 is a side elevational view, the opposite side being a mirror image thereof;
 FIG. 4 is a top plan view thereof;
 FIG. 5 is a rear elevational view thereof; and,
 FIG. 6 is a bottom plan view thereof.

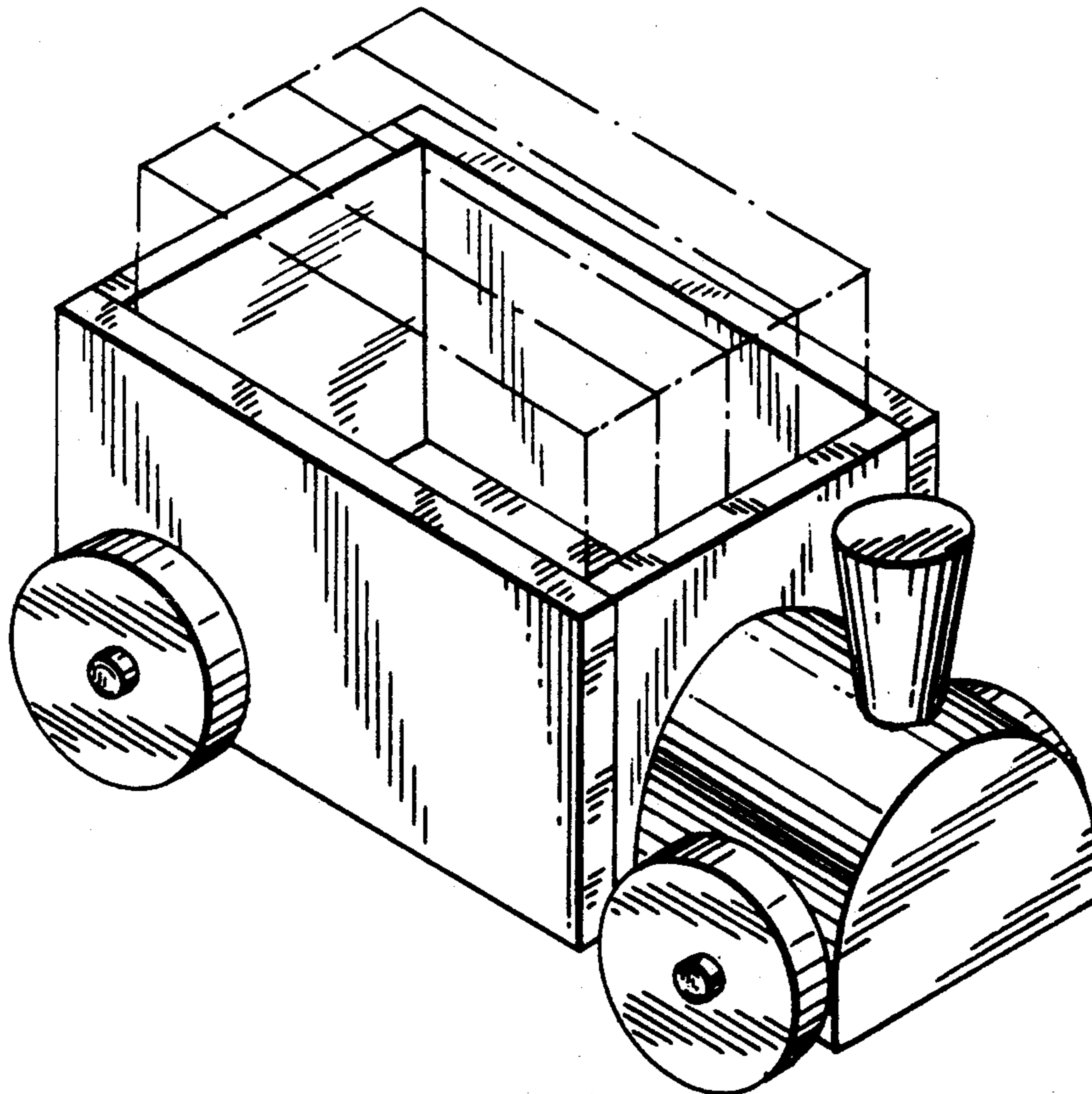


FIG. 1

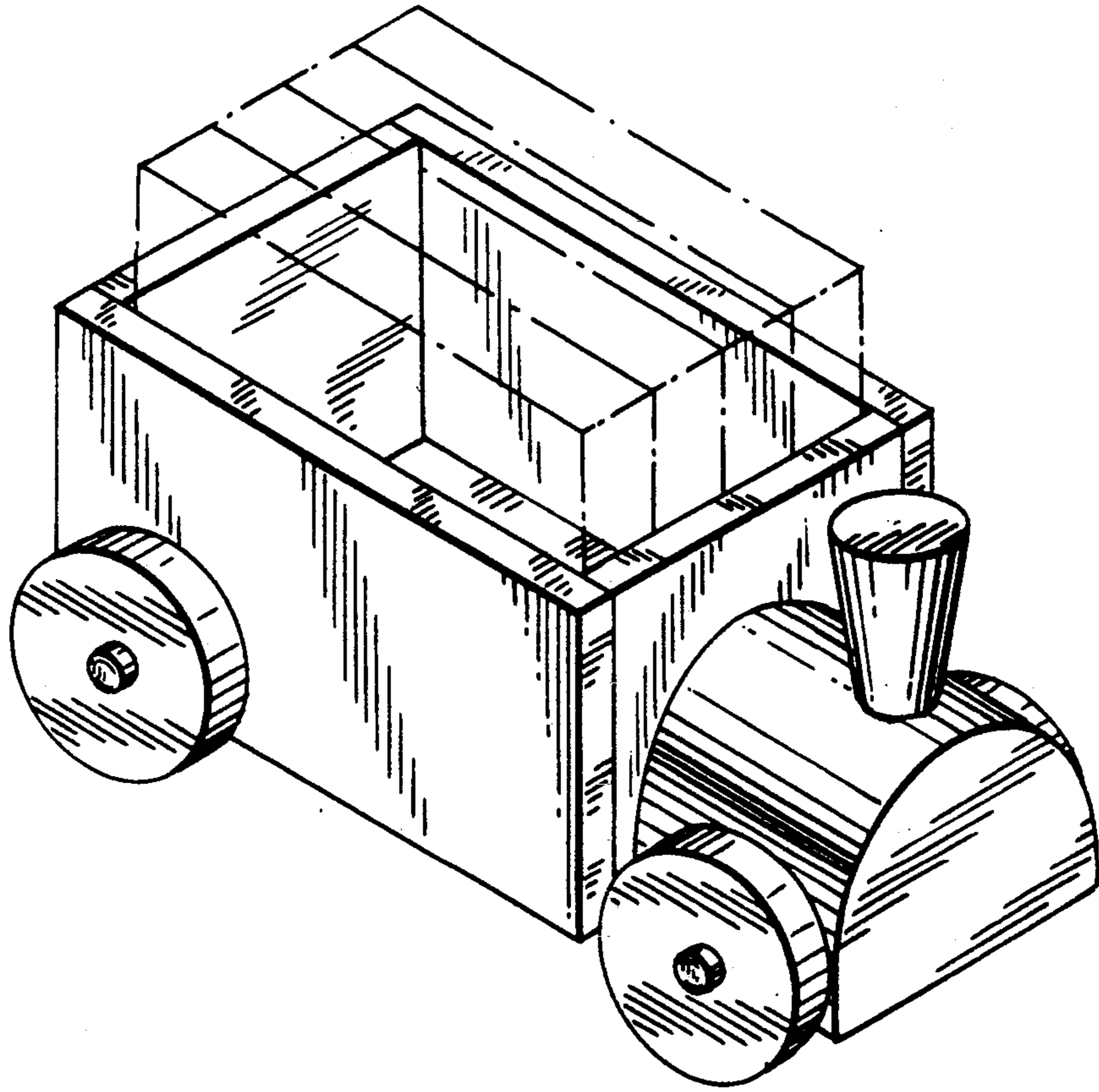


FIG. 2

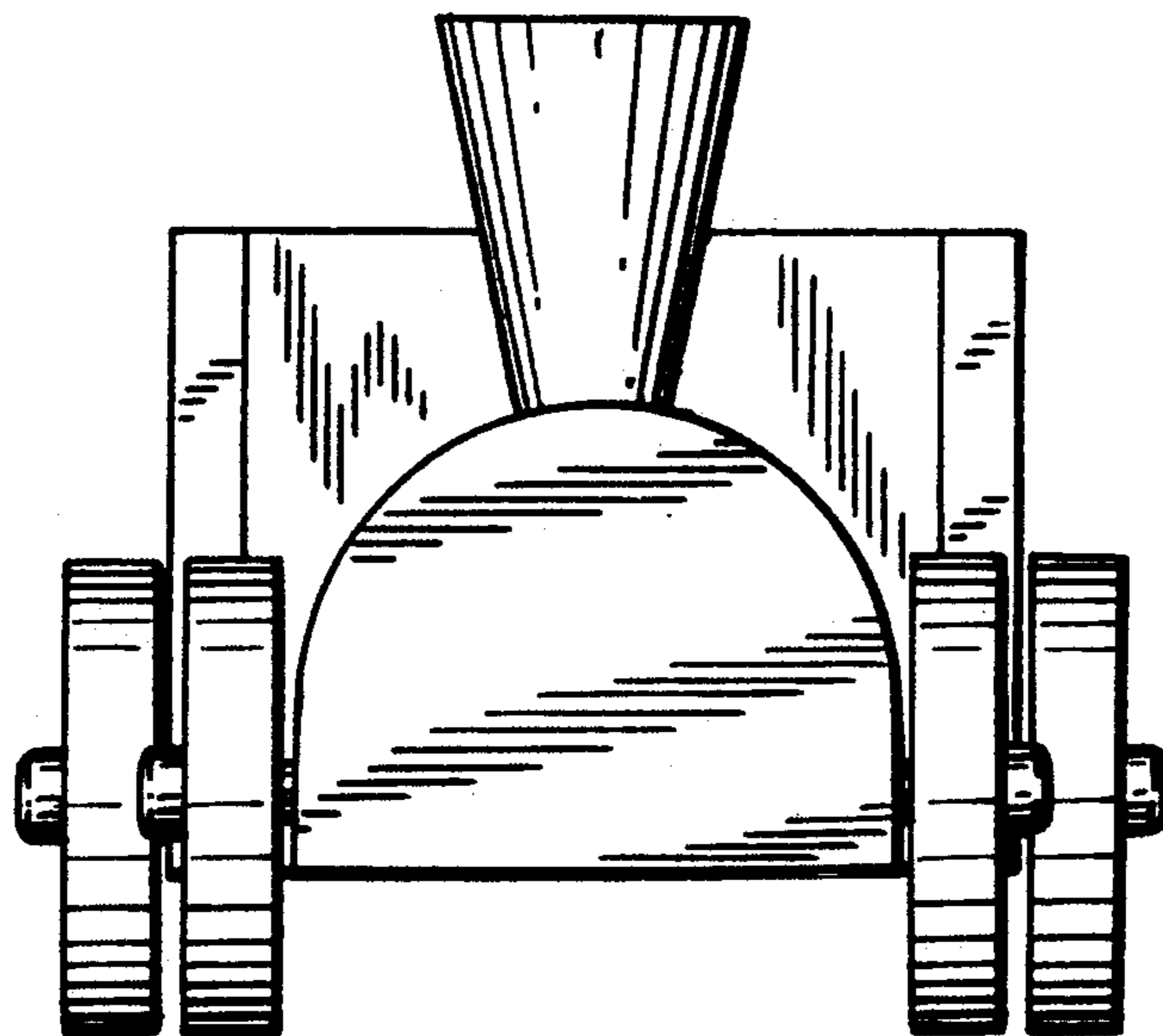


FIG. 3

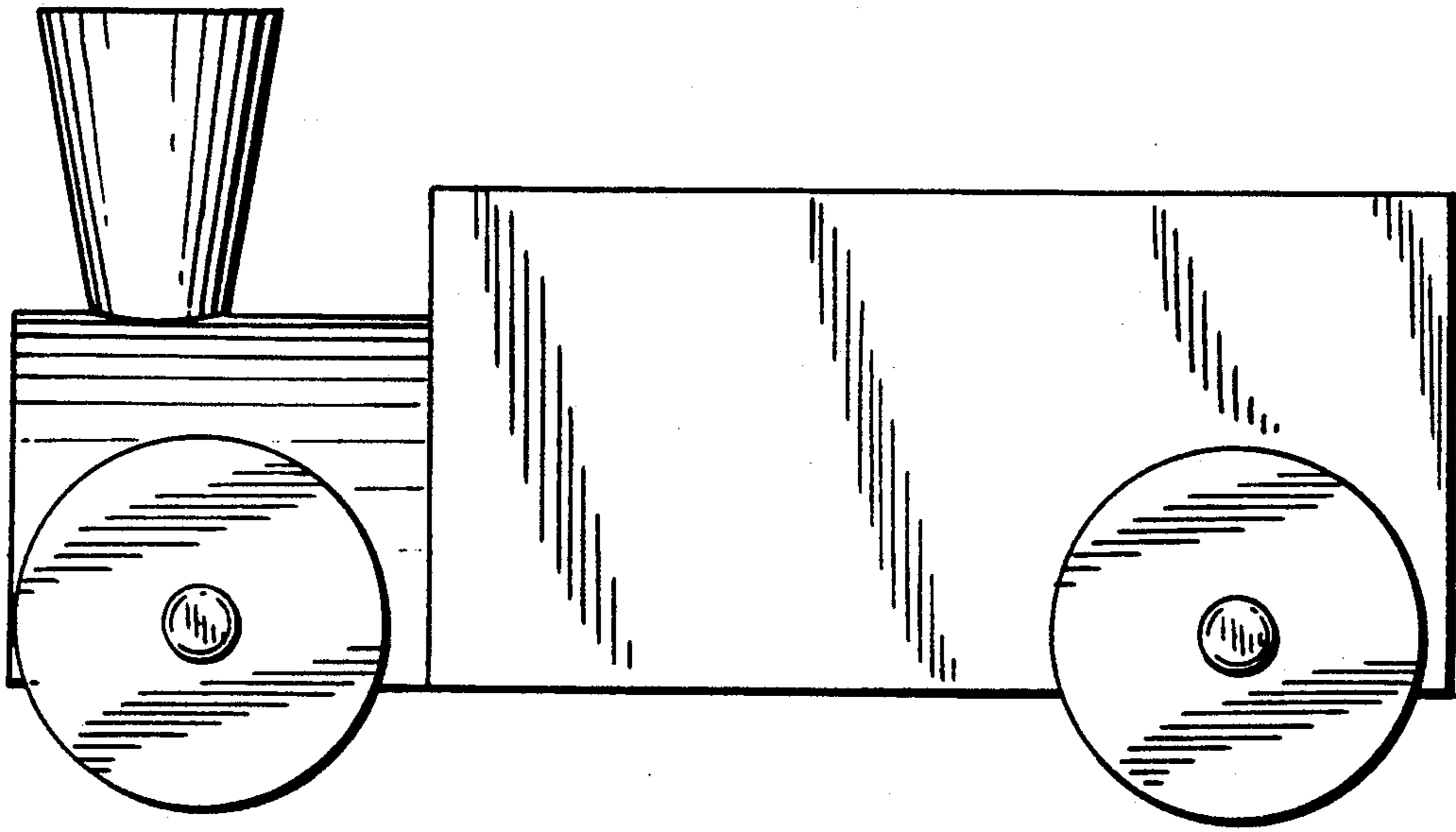


FIG. 4

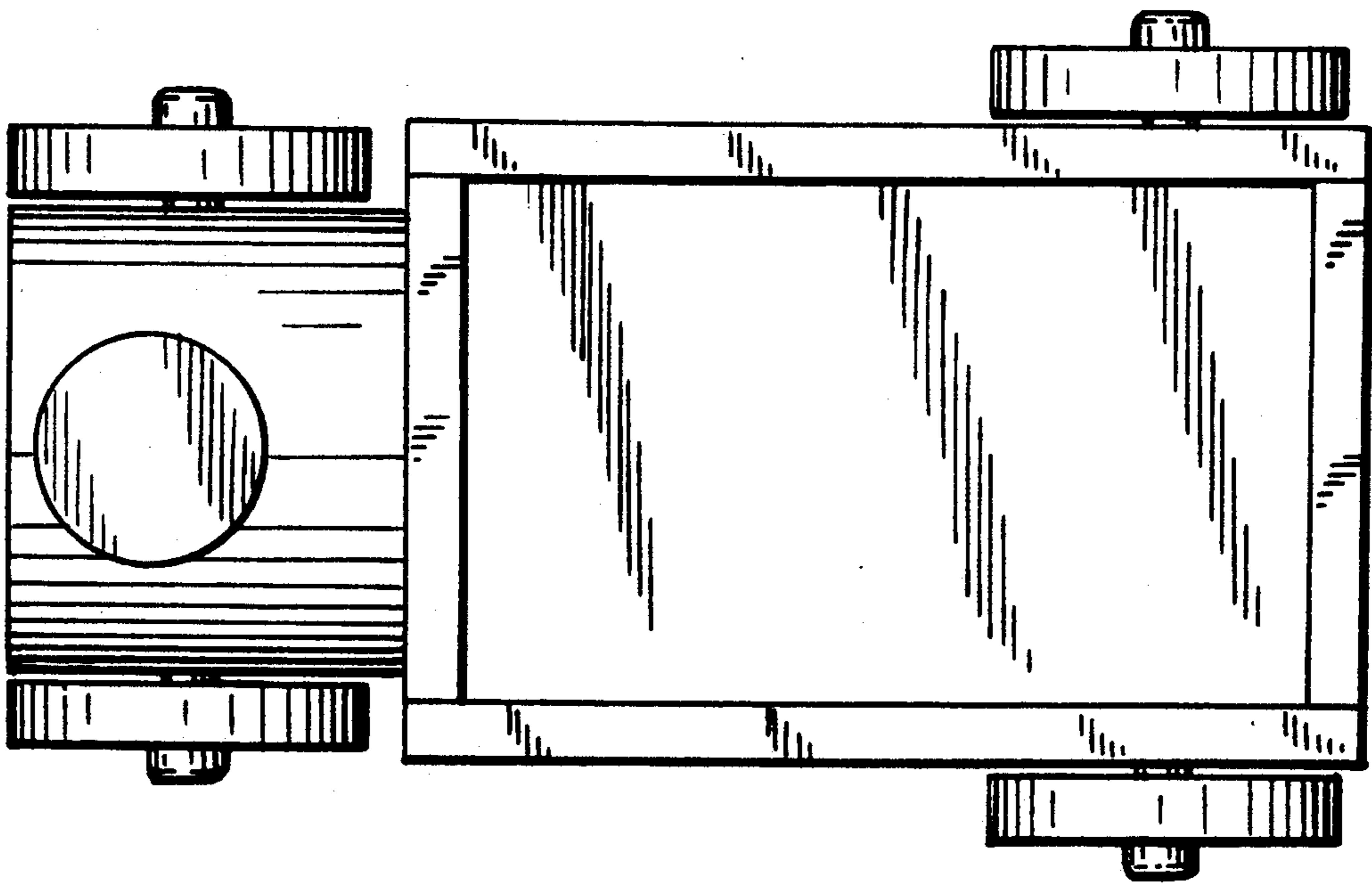


FIG. 5

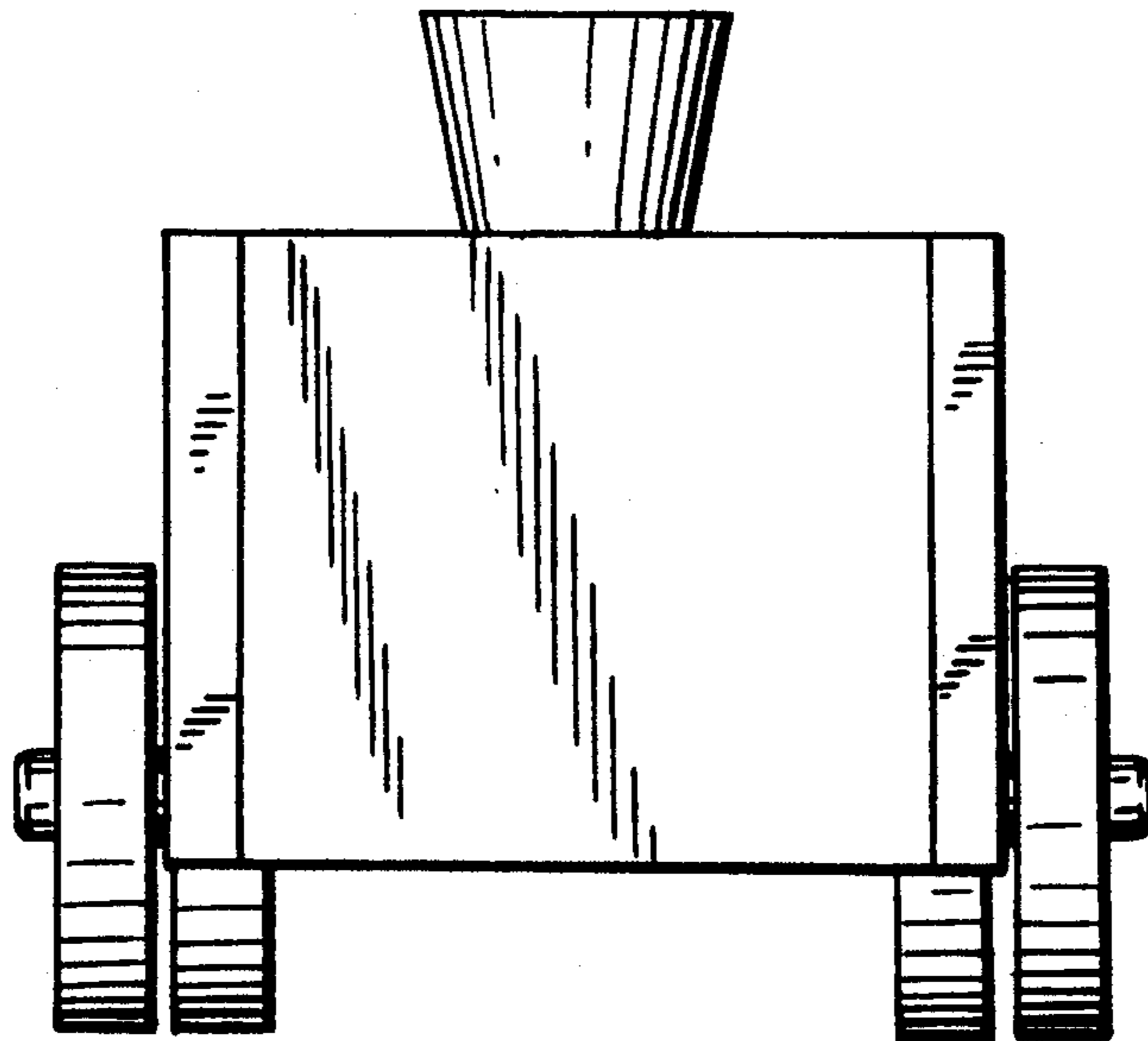


FIG. 6

