



US00D337451S

United States Patent [19]

Mattikow

[11] Patent Number: **Des. 337,451**

[45] Date of Patent: **** Jul. 20, 1993**

[54] CASSETTE HOLDER

[75] Inventor: **Nina Mattikow, Greenwich, Conn.**

[73] Assignee: **Great American Audio Corp., New Rochelle, N.Y.**

[**] Term: **14 Years**

[21] Appl. No.: **687,316**

[22] Filed: **Apr. 18, 1991**

[52] U.S. Cl. **D6/407; D6/450; D6/475**

[58] Field of Search **D6/407, 348, 449-467, D6/475, 404; 312/9.1, 204; 206/387; 211/40-42; D7/631, 632, 634; D12/302, 314; D21/130, 134, 140**

[56] References Cited

U.S. PATENT DOCUMENTS

- D. 136,165 8/1943 Reach D6/348
- D. 251,489 4/1979 Mantas D12/302 X
- D. 292,695 11/1987 Marten D21/130 X

Primary Examiner—Carmen H. Vales-Lado
Attorney, Agent, or Firm—Bryan Cave

[57] CLAIM

The ornamental design for a cassette holder, as shown and described.

DESCRIPTION

FIG. 1 is a perspective view of a cassette holder showing my new design, the broken lines showing cassettes are for illustrative purposes only;
 FIG. 2 is a top plan view thereof;
 FIG. 3 is a front end elevational view, the rear being identical thereto;
 FIG. 4 is a side elevational view, the other side being identical thereto; and,
 FIG. 5 is a bottom plan view thereof.

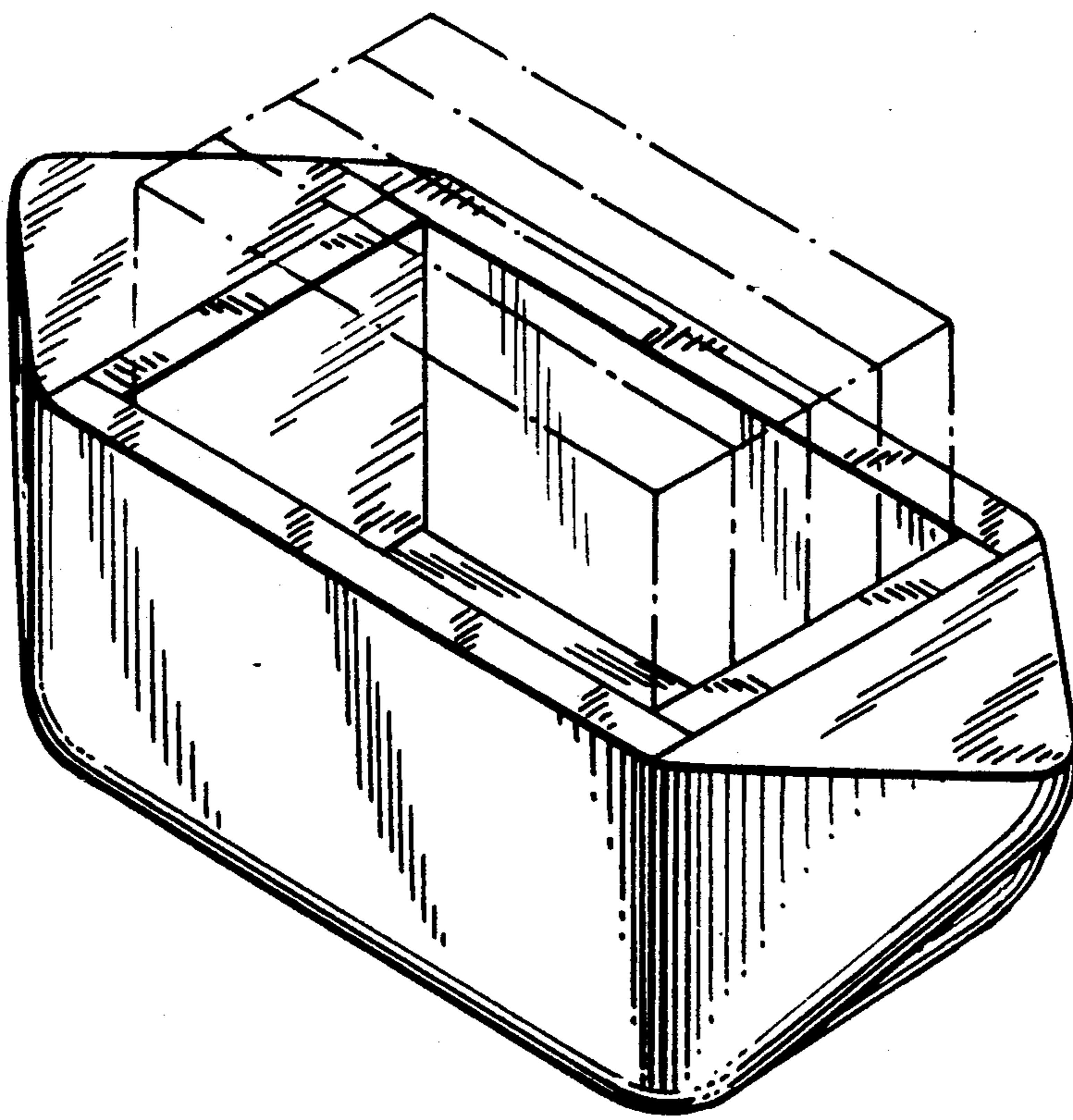


FIG. 1

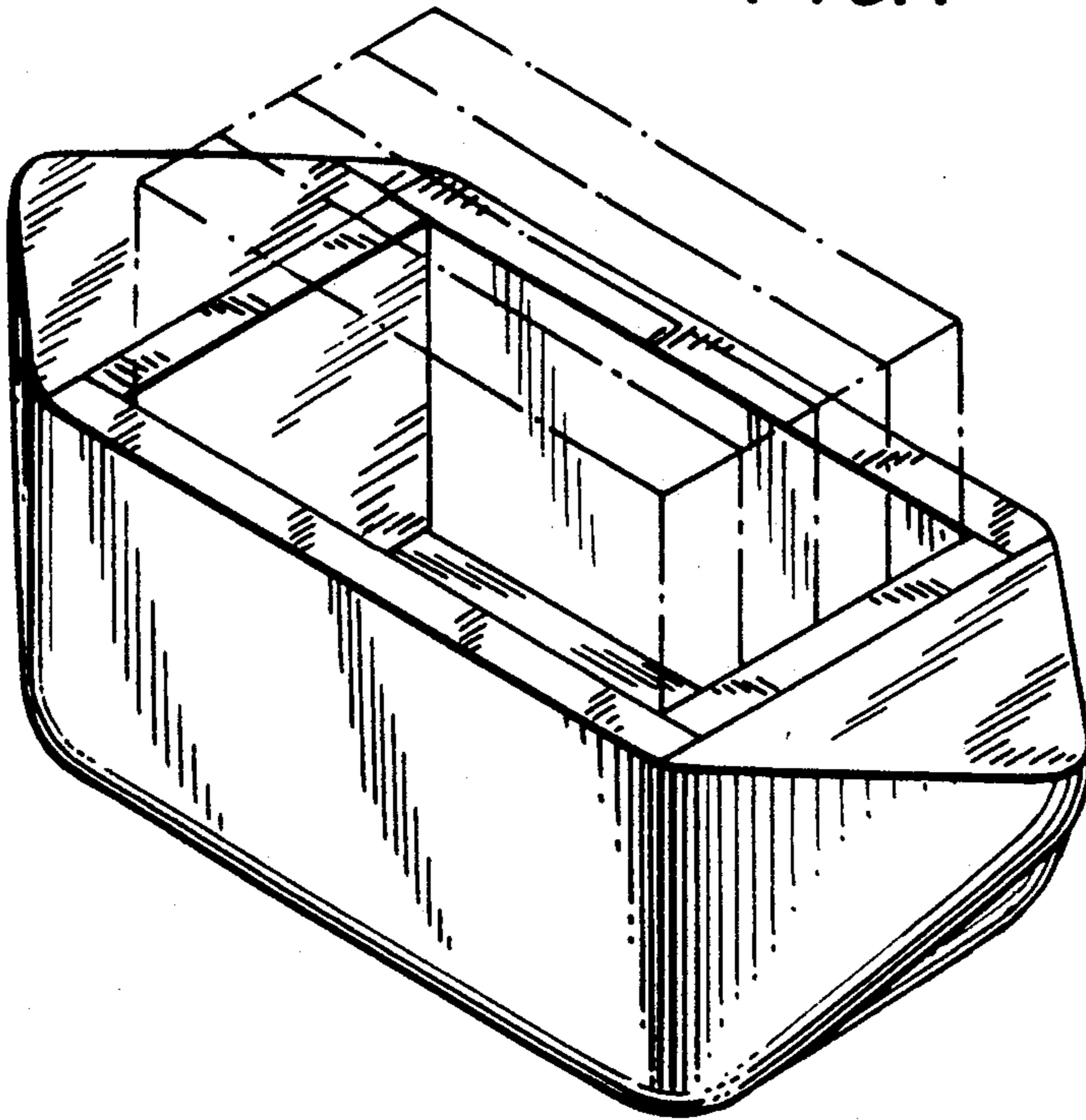


FIG. 2

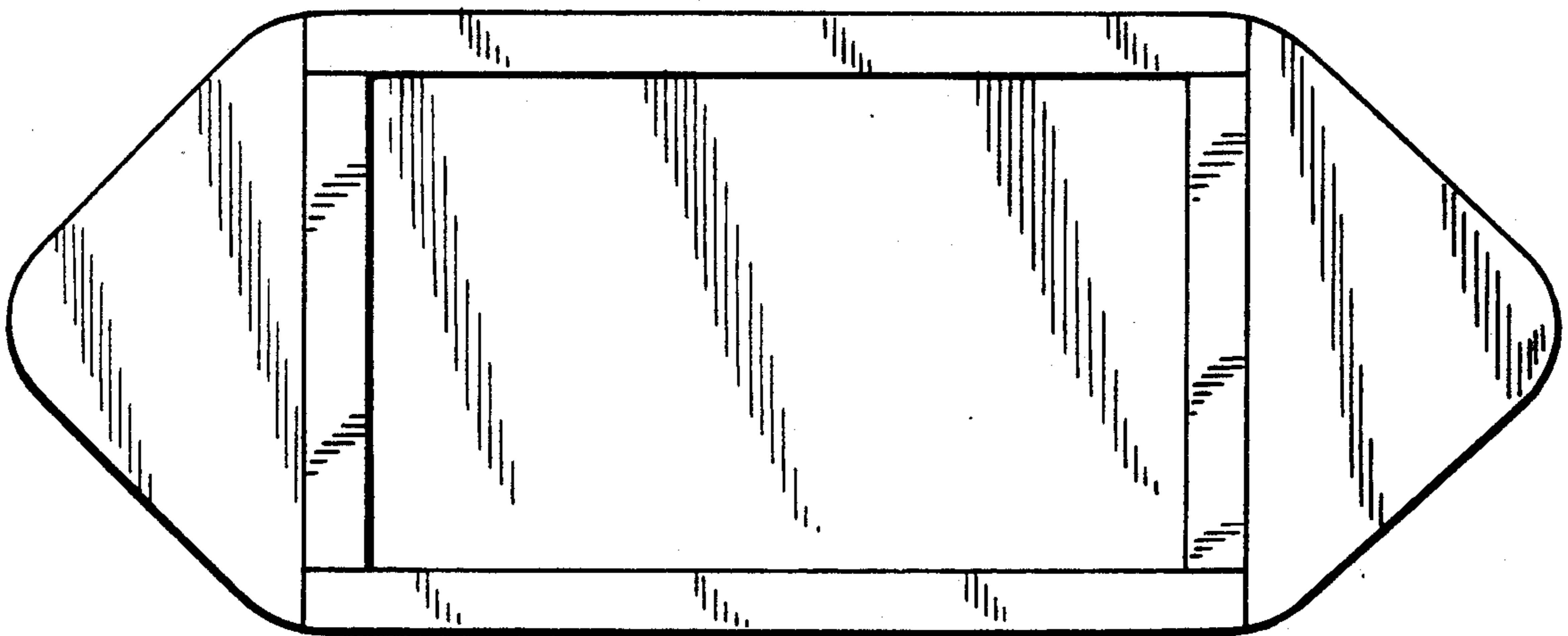


FIG. 3

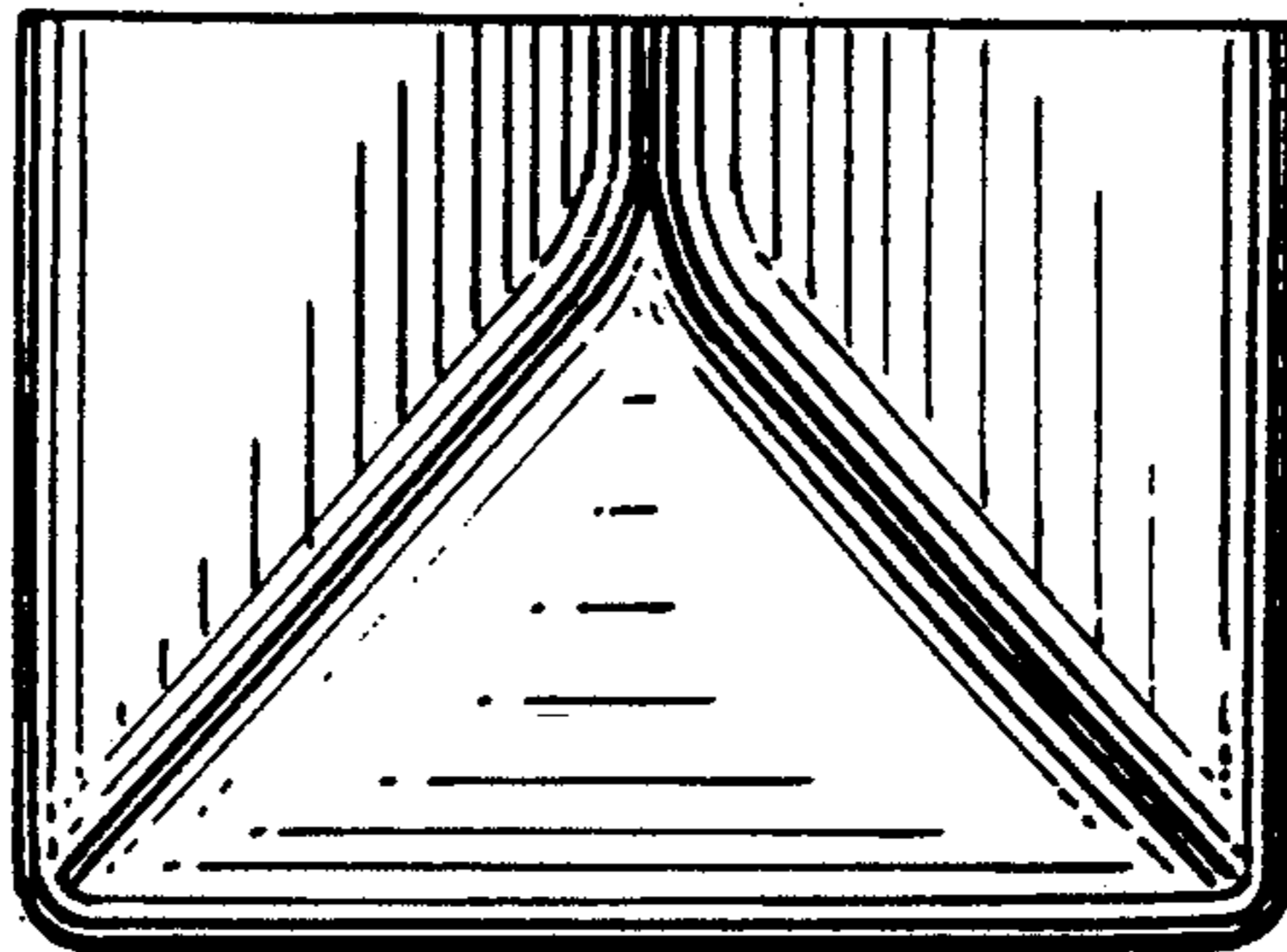


FIG. 4

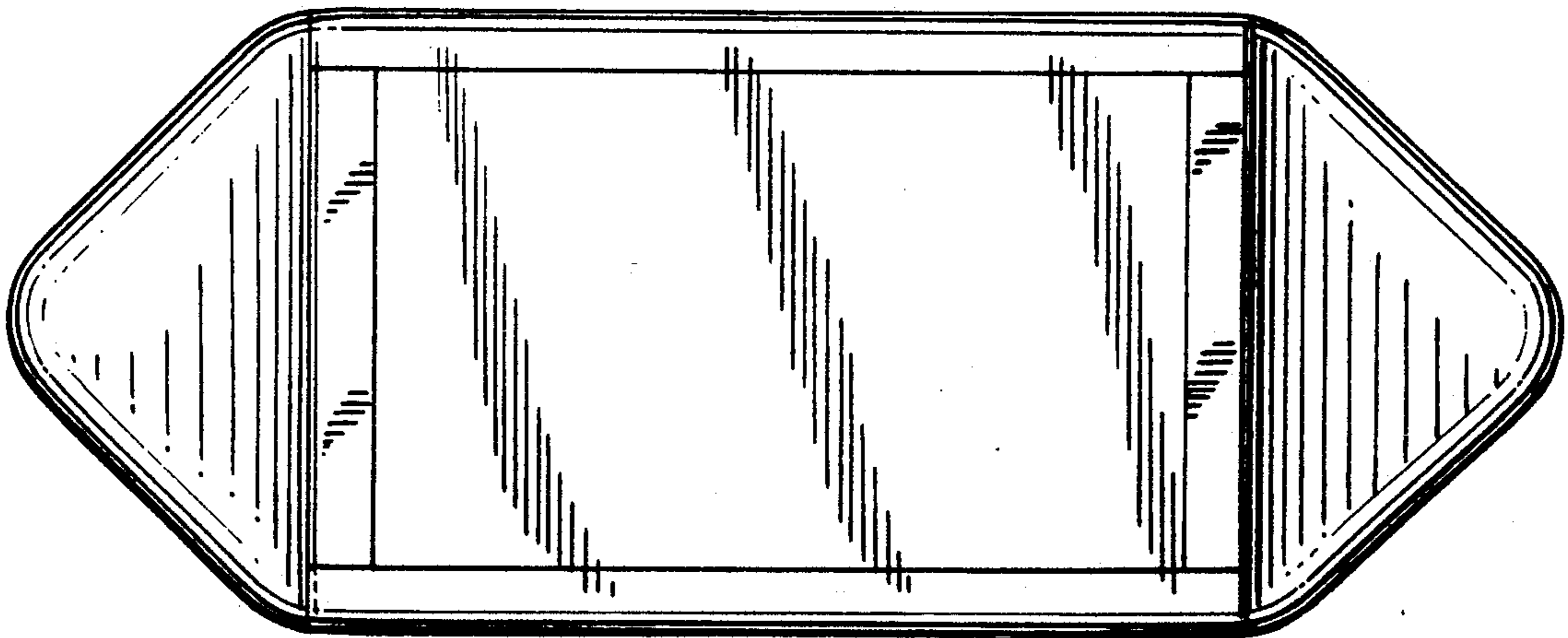
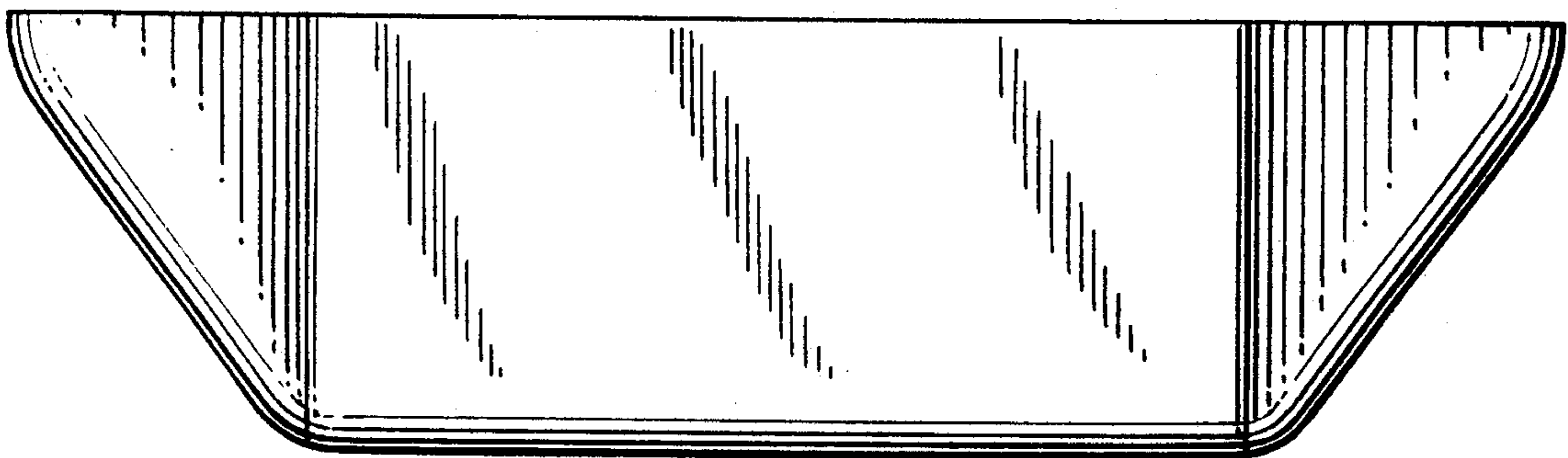


FIG. 5