



US00D337444S

United States Patent [19]

[11] Patent Number: **Des. 337,444**

Lamalle

[45] Date of Patent: **** Jul. 20, 1993**

[54] CHAIR

2,596,424 5/1952 Morse 297/55
2,692,011 10/1954 Hickok 297/55

[75] Inventor: **Christian Lamalle, Saint Ismier, France**

OTHER PUBLICATIONS

[73] Assignee: **Allibert S.A., Grenoble, France**

Schoner Wohnen, Aug. 1982, p. 46, Chair #1 at far left.
Interiors-Sep. 1980, p. 121, Chair #9 at lower left.

[**] Term: **14 Years**

Primary Examiner—Nelson C. Holtje
Assistant Examiner—J. E. Seeger
Attorney, Agent, or Firm—Foley & Lardner

[21] Appl. No.: **626,863**

[22] Filed: **Dec. 13, 1990**

[57] CLAIM

[30] Foreign Application Priority Data

Jun. 14, 1990 [WO] World Int. Prop. O. ... DM/016 919

The ornamental design for a chair, as shown and described.

[52] U.S. Cl. **D6/368; D6/380**

[58] Field of Search **D6/334, 371-376, D6/379, 380, 500-502, 368; 297/55, 58**

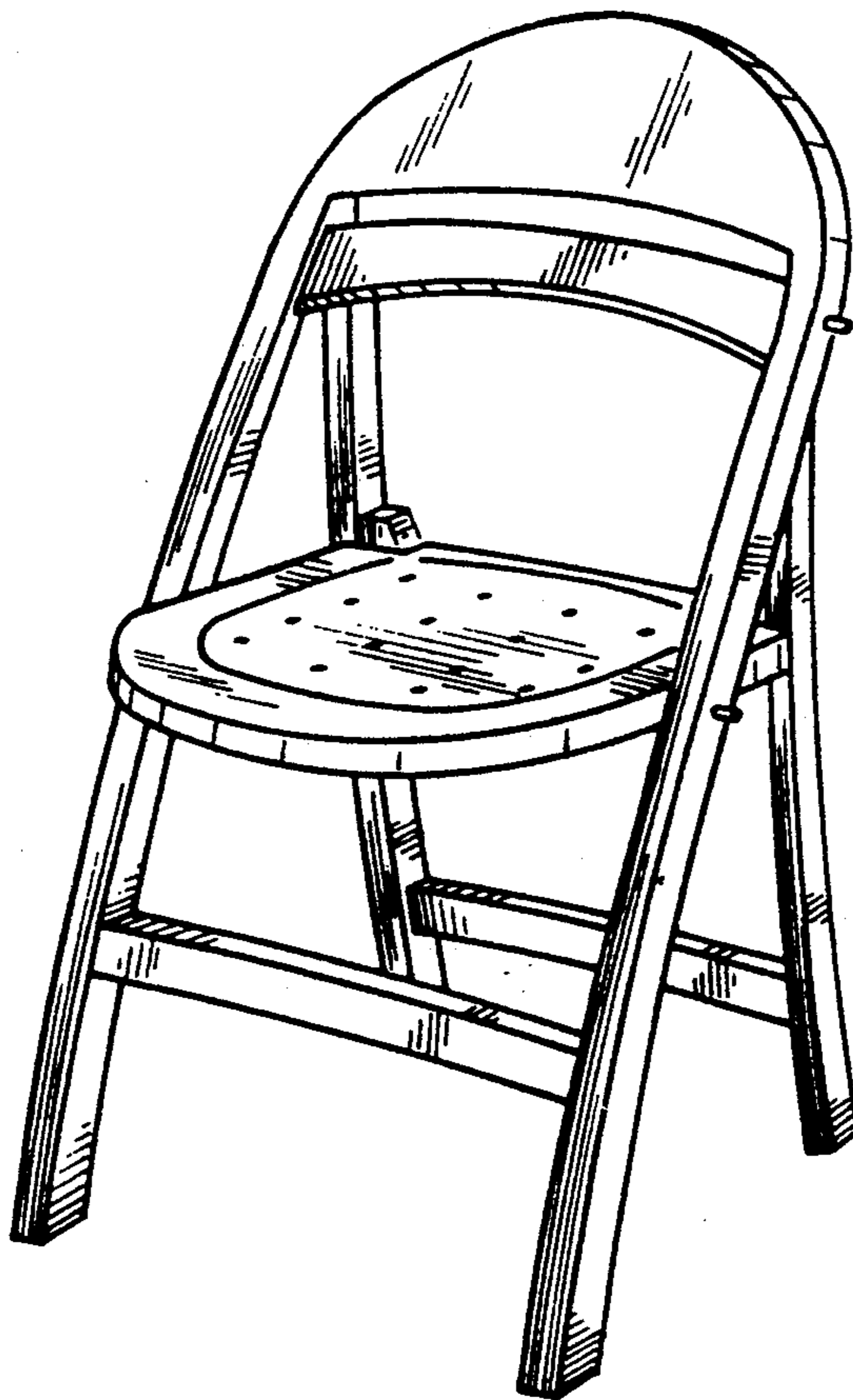
DESCRIPTION

[56] References Cited

U.S. PATENT DOCUMENTS

- D. 75,556 6/1928 Glantz D6/368
- D. 259,078 5/1981 Deconinck D6/370
- D. 278,486 4/1985 Bayly D6/370 X
- D. 296,274 6/1988 Winters D6/368

FIG. 1 is a front perspective view of a chair showing my new design;
FIG. 2 is a front elevational view;
FIG. 3 is a top plan view;
FIG. 4 is a bottom plan view;
FIG. 5 is a side elevational view, the opposite side being a mirror image thereof; and,
FIG. 6 is a rear elevational view thereof.



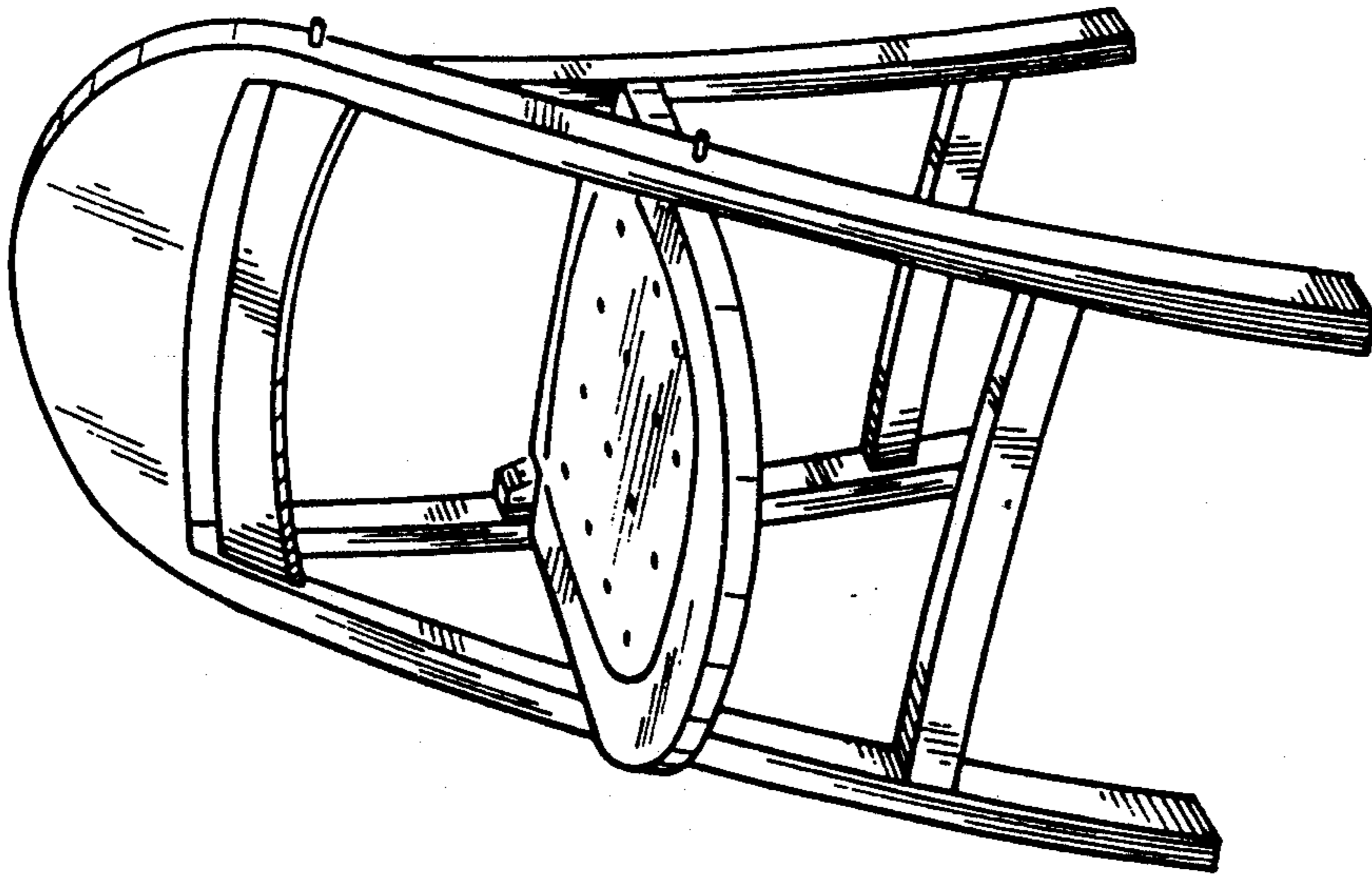


FIG. 1

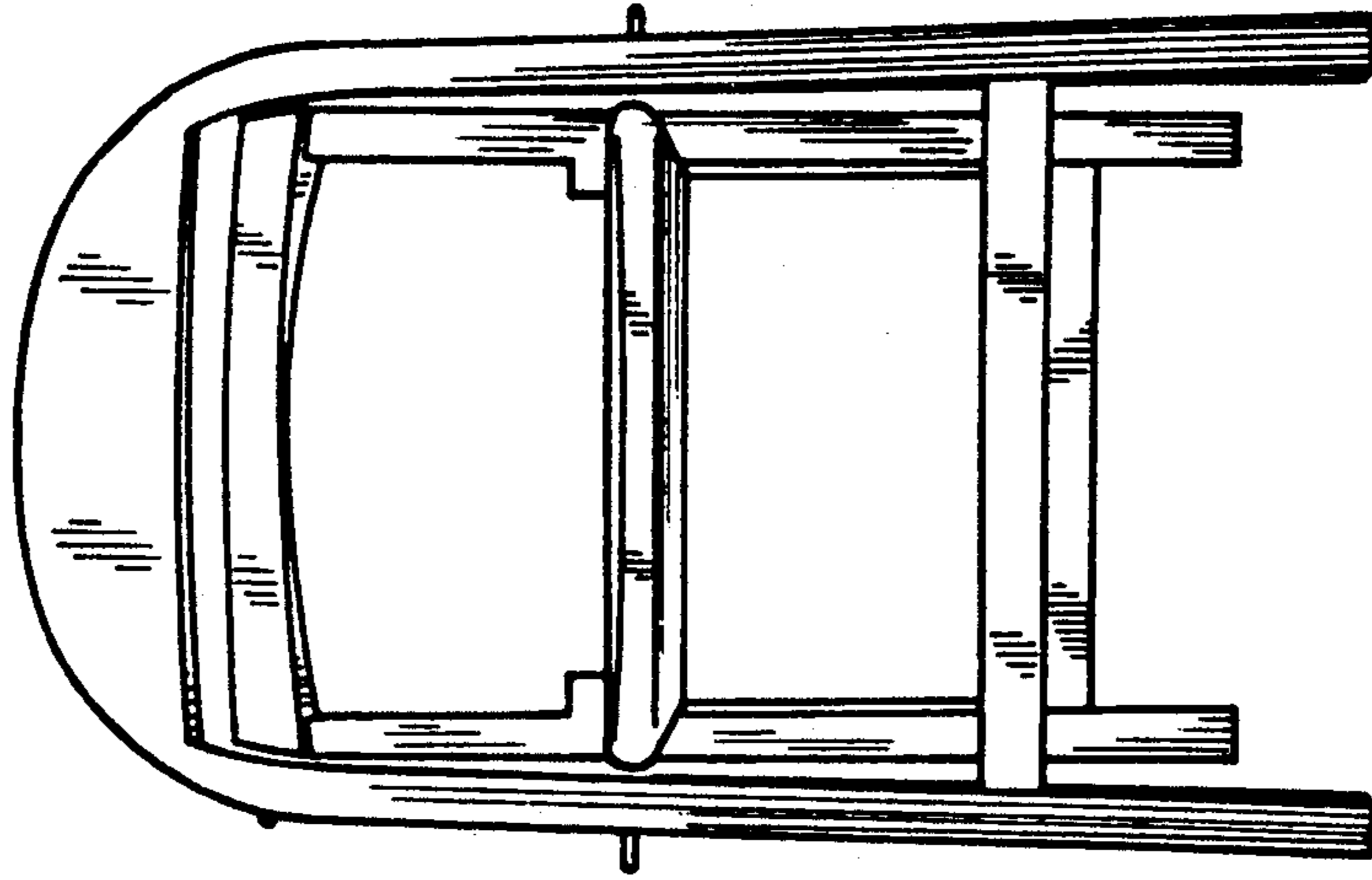


FIG. 2

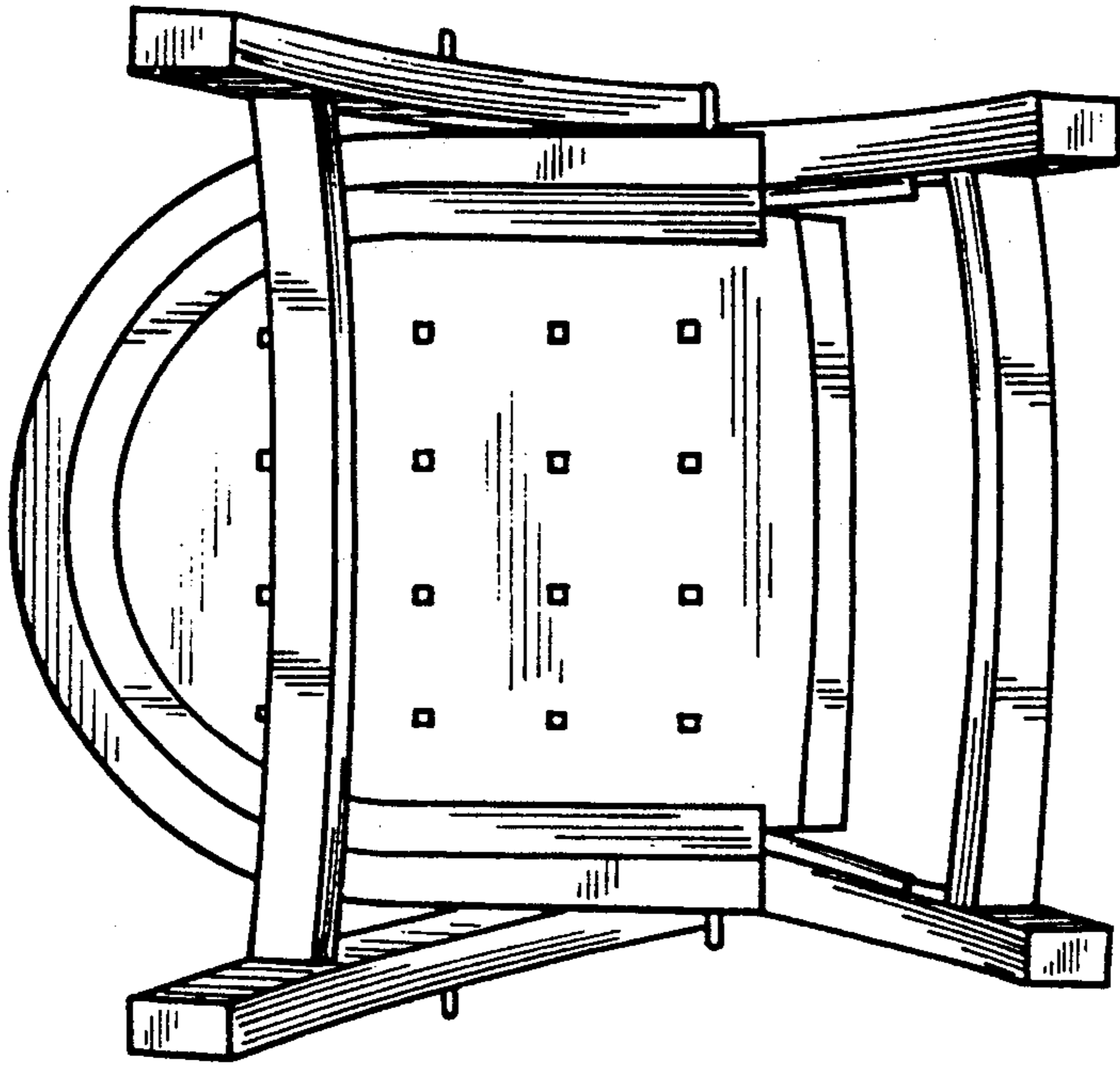


FIG. 4

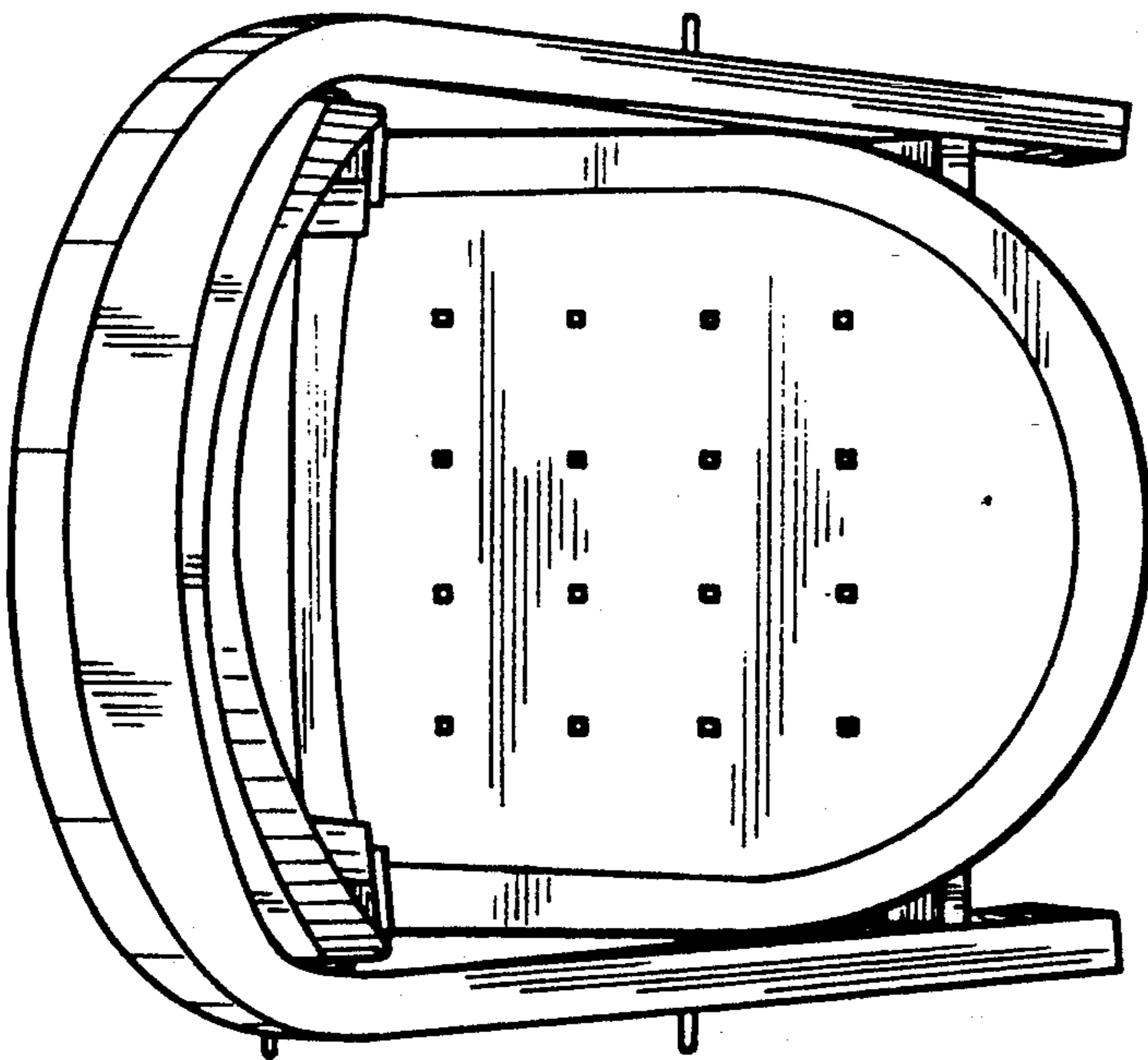


FIG. 3

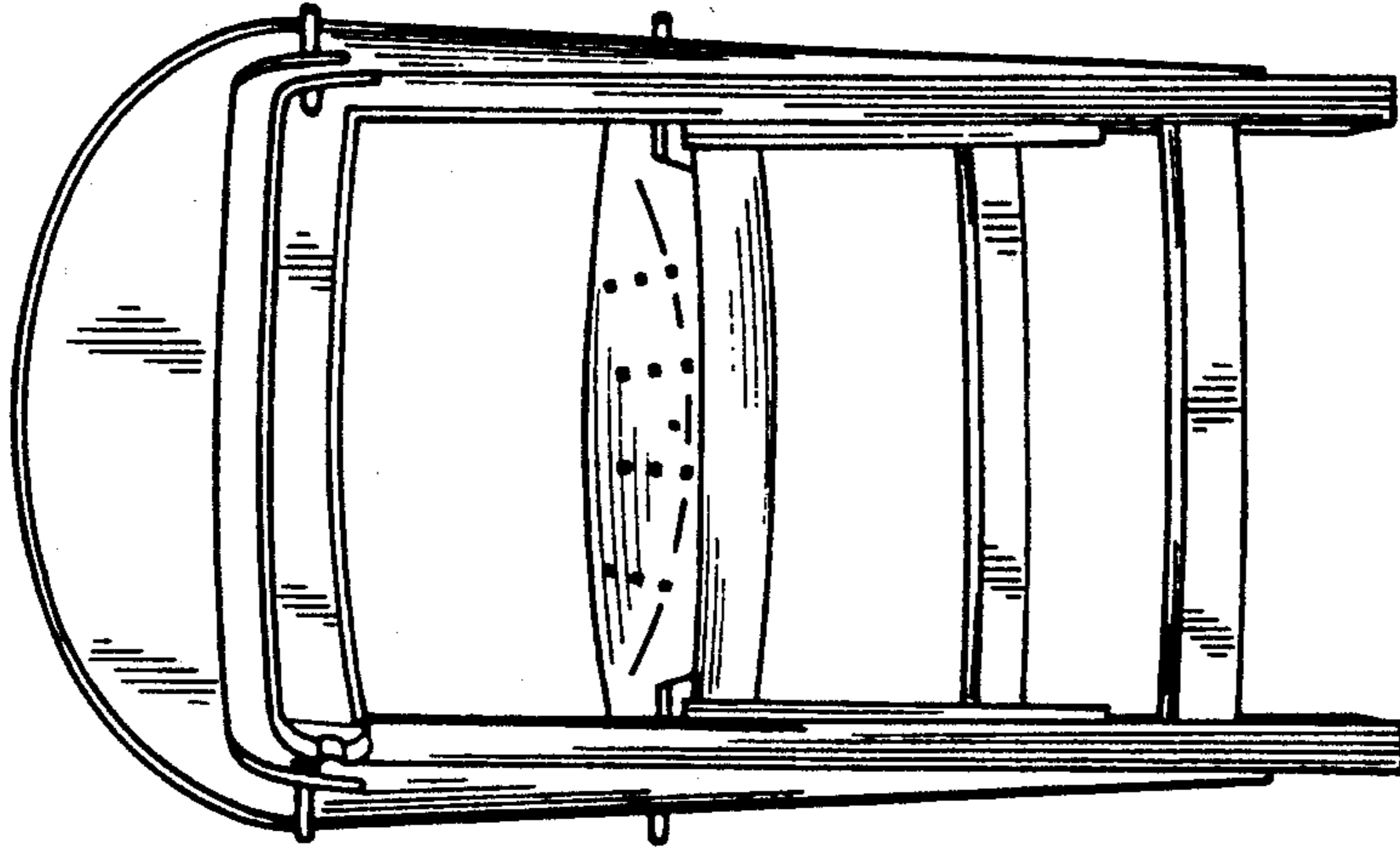


FIG. 6

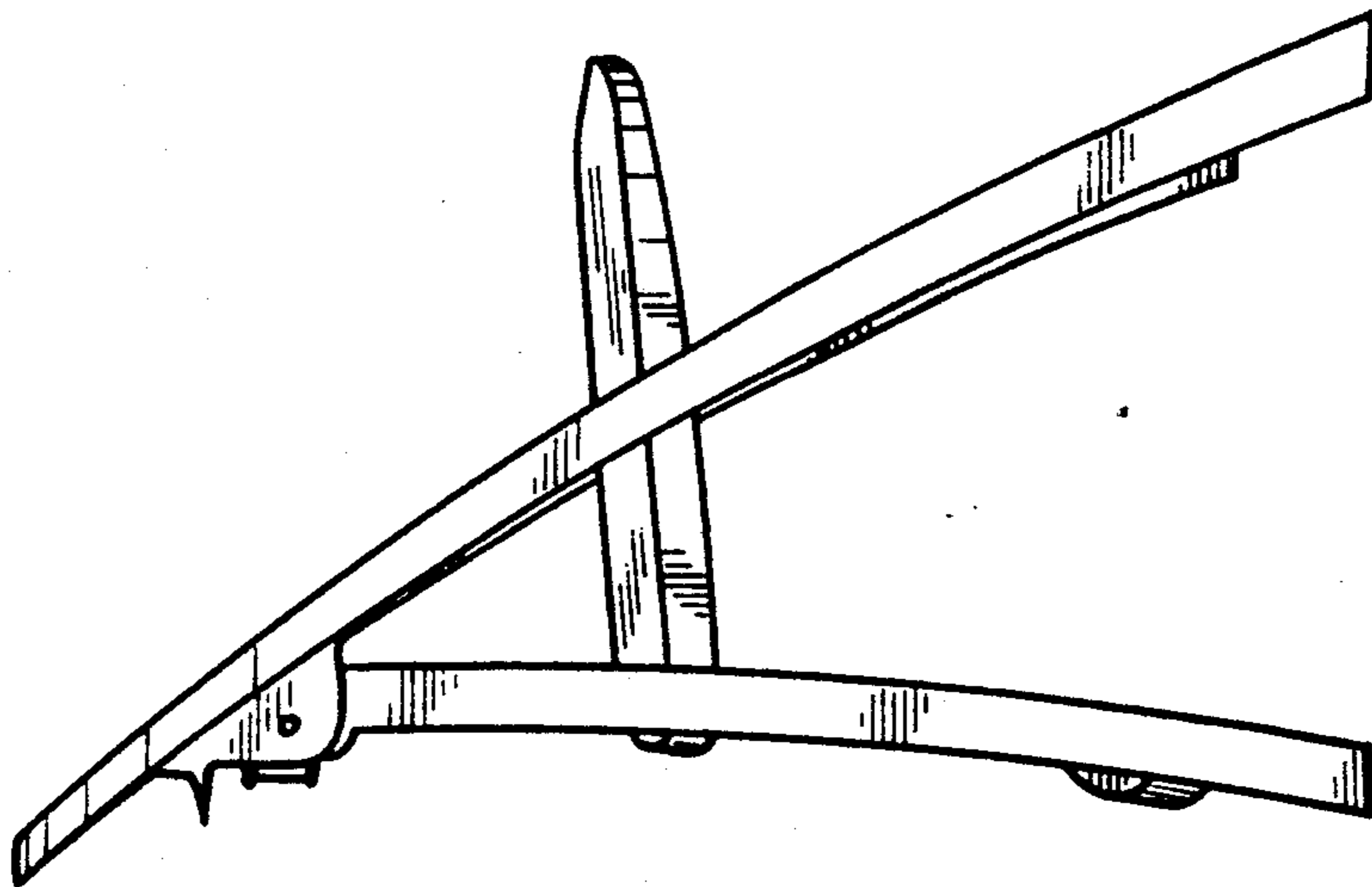


FIG. 5