



US00D337443S

United States Patent [19]

[11] Patent Number: **Des. 337,443**

Richards

[45] Date of Patent: **** Jul. 20, 1993**

[54] **HOIST CHAIR**

[75] Inventor: **Derek J. Richards**, Gloucester, England

[73] Assignee: **Arjo Limited**, Gloucester, Great Britain

[**] Term: **14 Years**

[21] Appl. No.: **623,246**

[22] Filed: **Dec. 6, 1990**

[30] **Foreign Application Priority Data**

Jun. 9, 1990 [GB] United Kingdom 2007480

[52] U.S. Cl. **D6/367**

[58] Field of Search **D6/334-336, D6/338, 341, 358, 360, 363, 364-367, 374, 475, 379, 380; 4/562.1, 564.1, 565.1**

[56] **References Cited**

U.S. PATENT DOCUMENTS

- D. 249,205 9/1978 Spencer D6/363 X
- D. 254,345 3/1980 Labor D6/375 X
- D. 278,668 5/1985 Sempkins D6/367 X
- D. 279,437 7/1985 Downey, Jr. D6/375
- 3,078,475 2/1963 Turner .
- 3,103,384 9/1963 Zivi .
- 3,123,400 3/1964 Paulson .
- 3,256,036 6/1966 Nolan .
- 3,286,970 11/1966 Nolan 4/564.1 X
- 3,366,978 2/1968 Jones .
- 3,994,030 11/1976 Cassell et al. .

- 4,013,316 3/1977 Cropper .
- 4,091,478 5/1978 Hardwick et al. .
- 4,569,091 2/1986 Brandenberger 4/562.1
- 4,768,239 9/1988 Pauley .
- 5,103,509 4/1992 Richards 4/564.1

FOREIGN PATENT DOCUMENTS

- 2117236 10/1983 United Kingdom 4/564.1
- 2237988 10/1990 United Kingdom 4/565.1

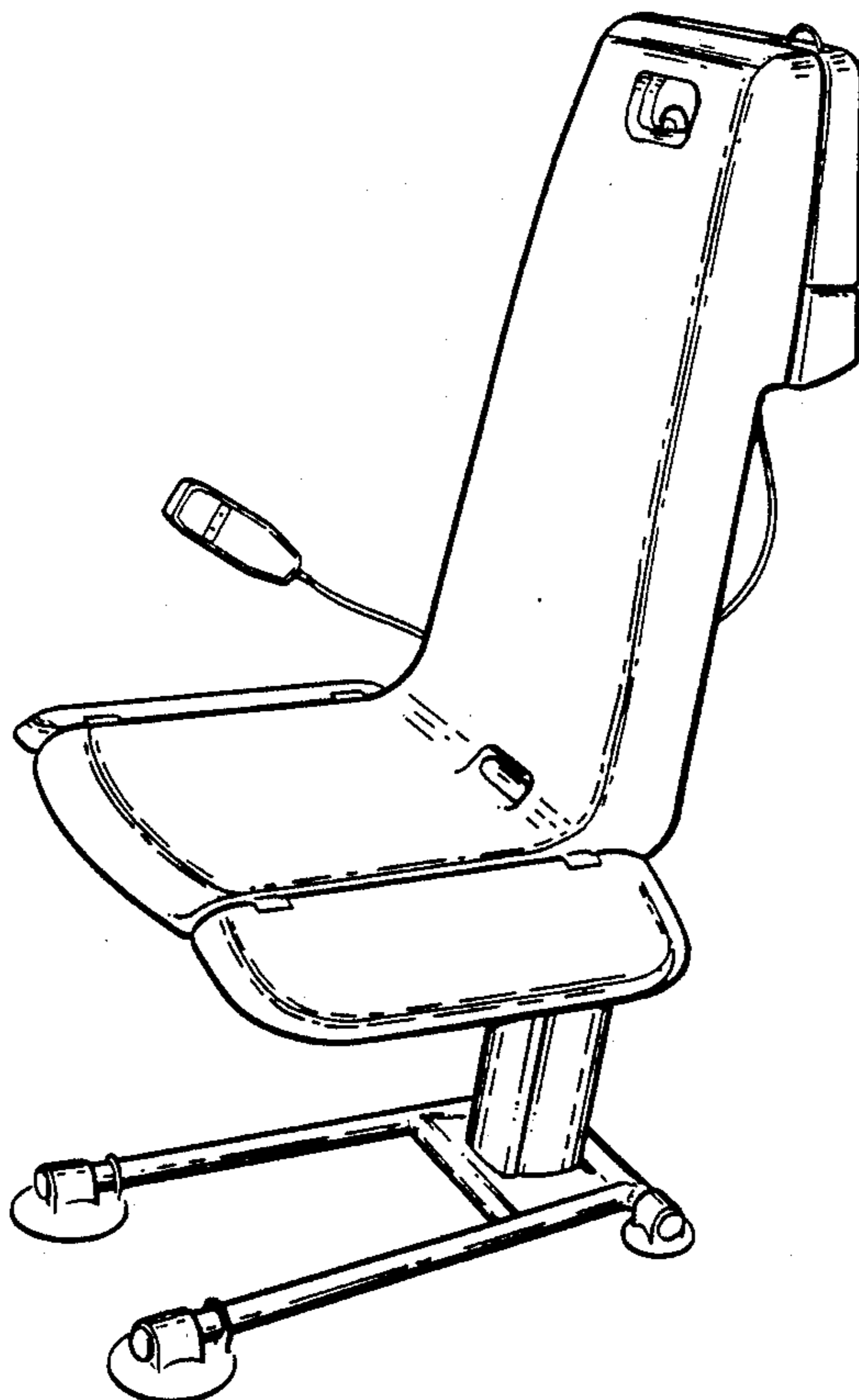
Primary Examiner—Nelson C. Holtje
Assistant Examiner—J. E. Seeger
Attorney, Agent, or Firm—Collard & Roe

[57] **CLAIM**

The ornamental design for a hoist chair, as shown.

DESCRIPTION

FIG. 1 is a perspective view of a hoist chair, showing my new design in raised position;
 FIG. 2 is a left side elevational view in a lowered position thereof;
 FIG. 3 is a top view thereof;
 FIG. 4 is a bottom view thereof;
 FIG. 5 is a front elevational view in the raised position thereof;
 FIG. 6 is a right side elevational view in the raised position thereof;
 FIG. 7 is a left side elevational view in the raised position thereof; and,
 FIG. 8 is a rear elevational view in the raised position thereof.



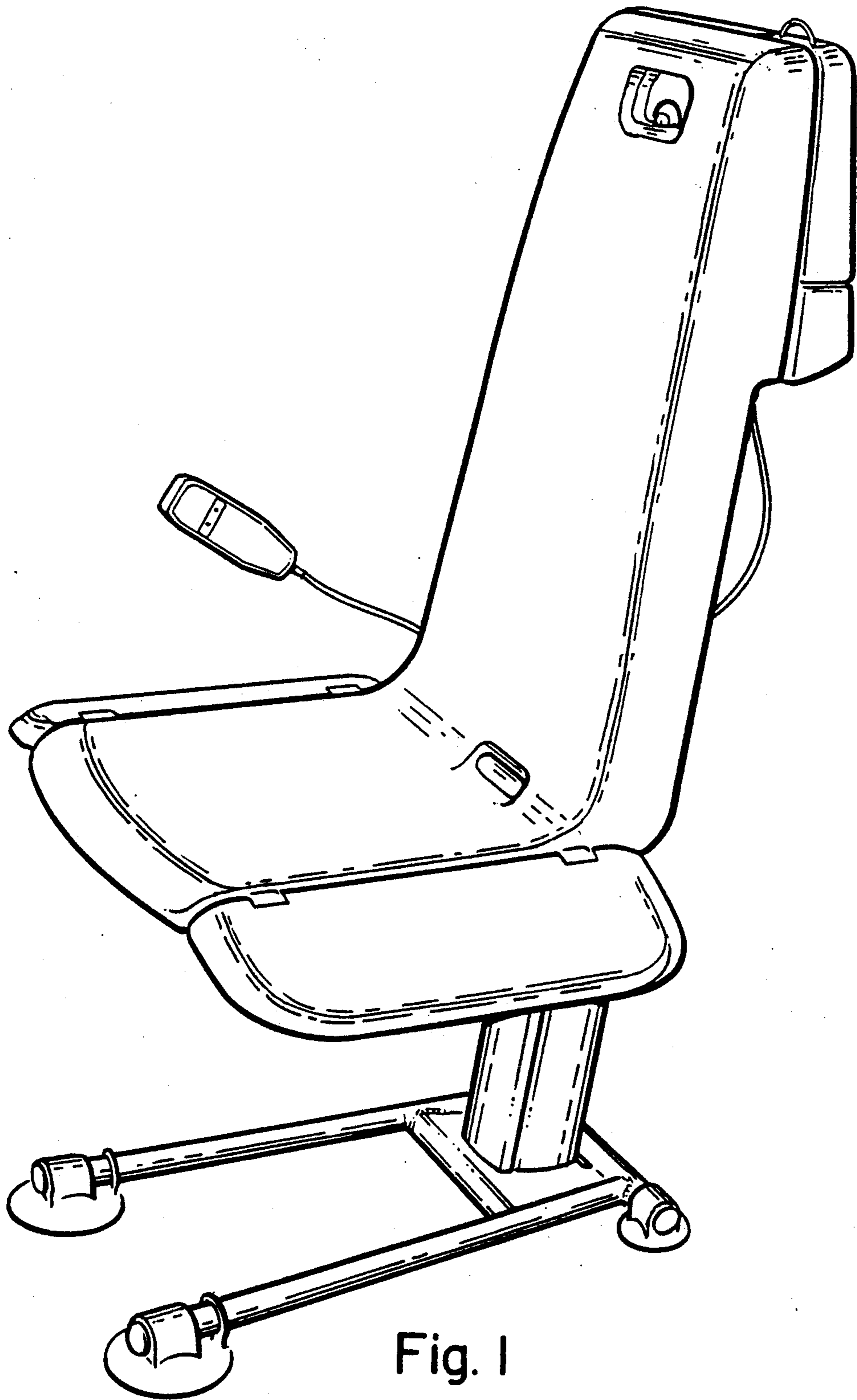


Fig. 1

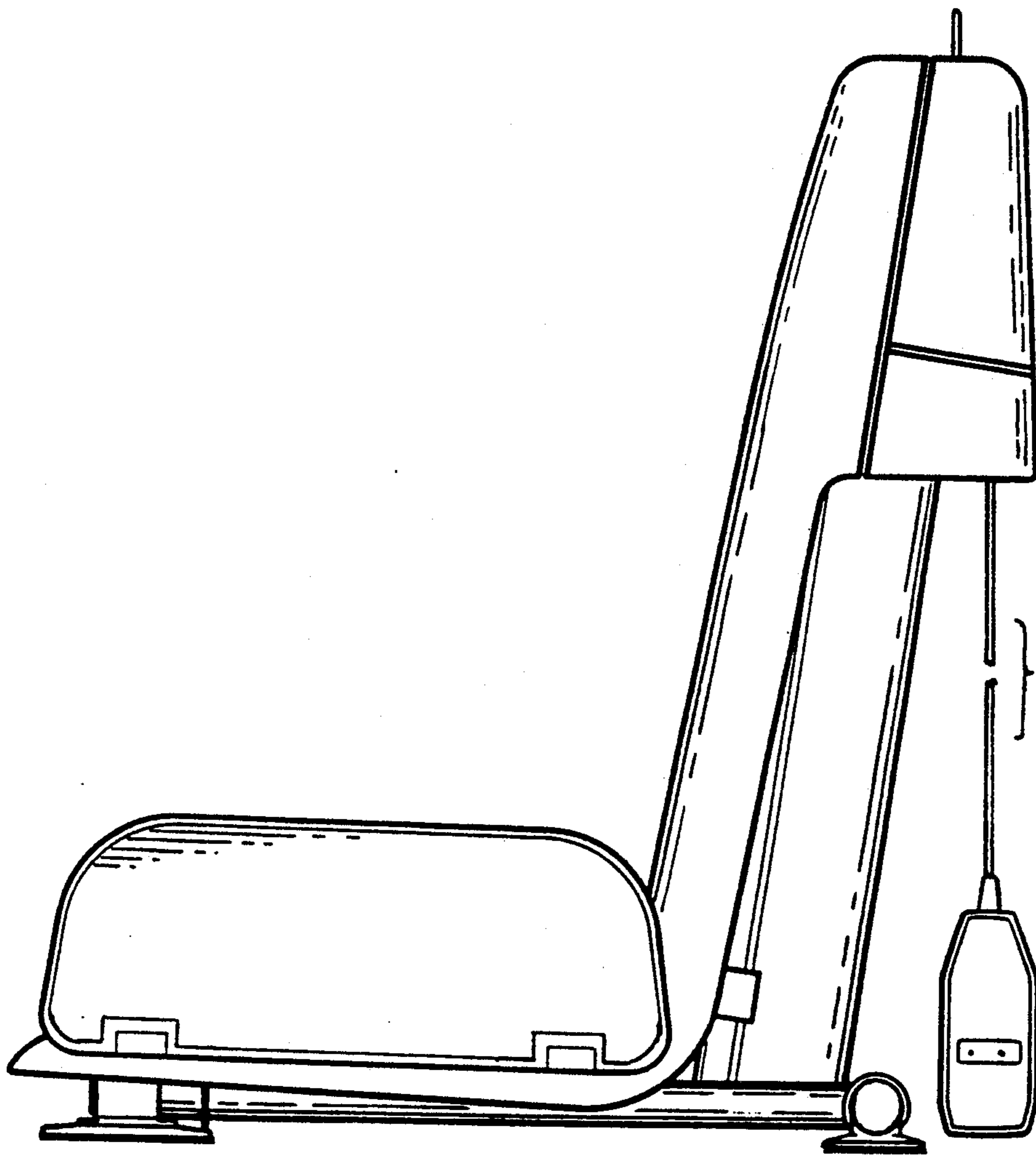


Fig. 2

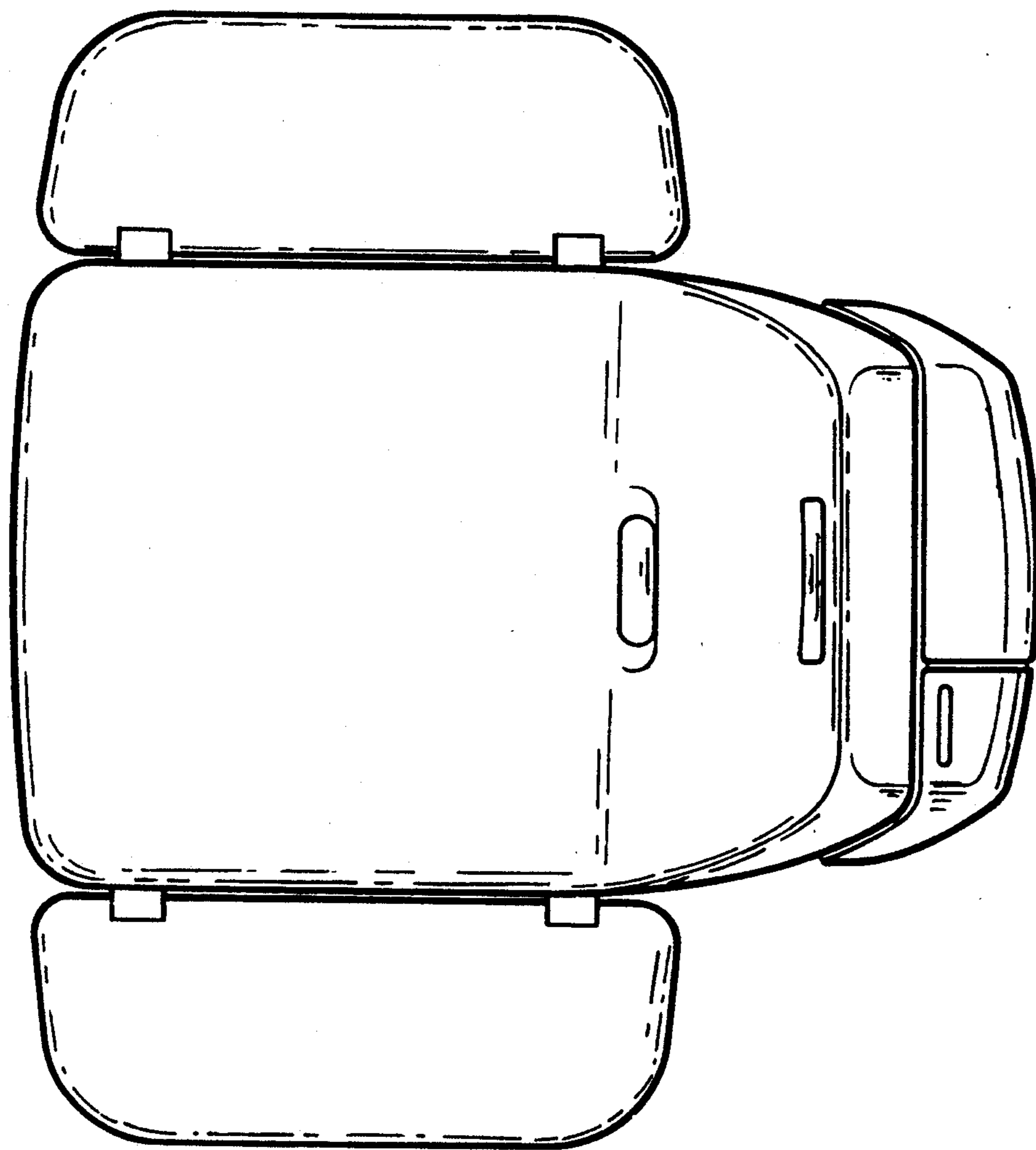


Fig. 3.

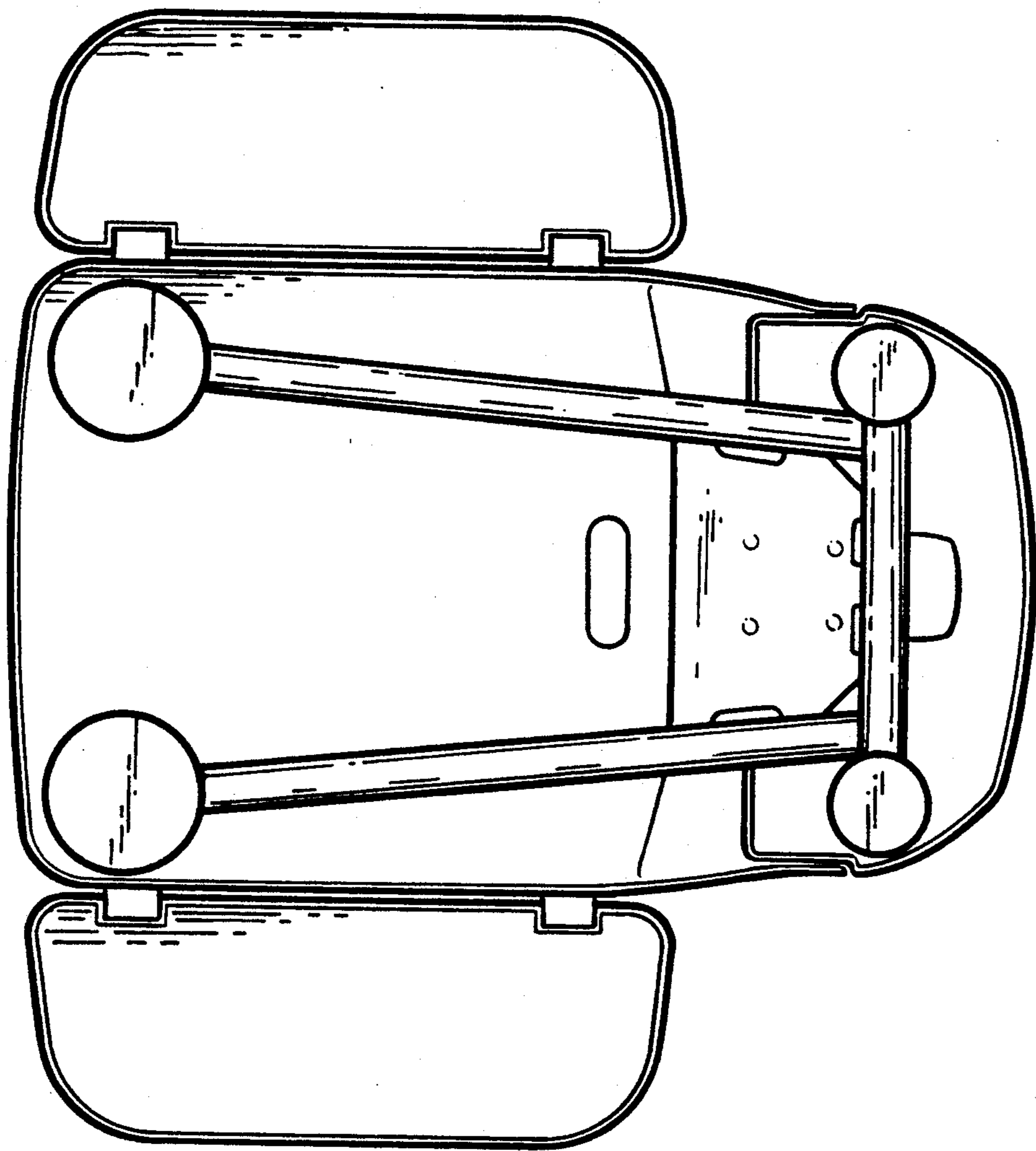


Fig. 4

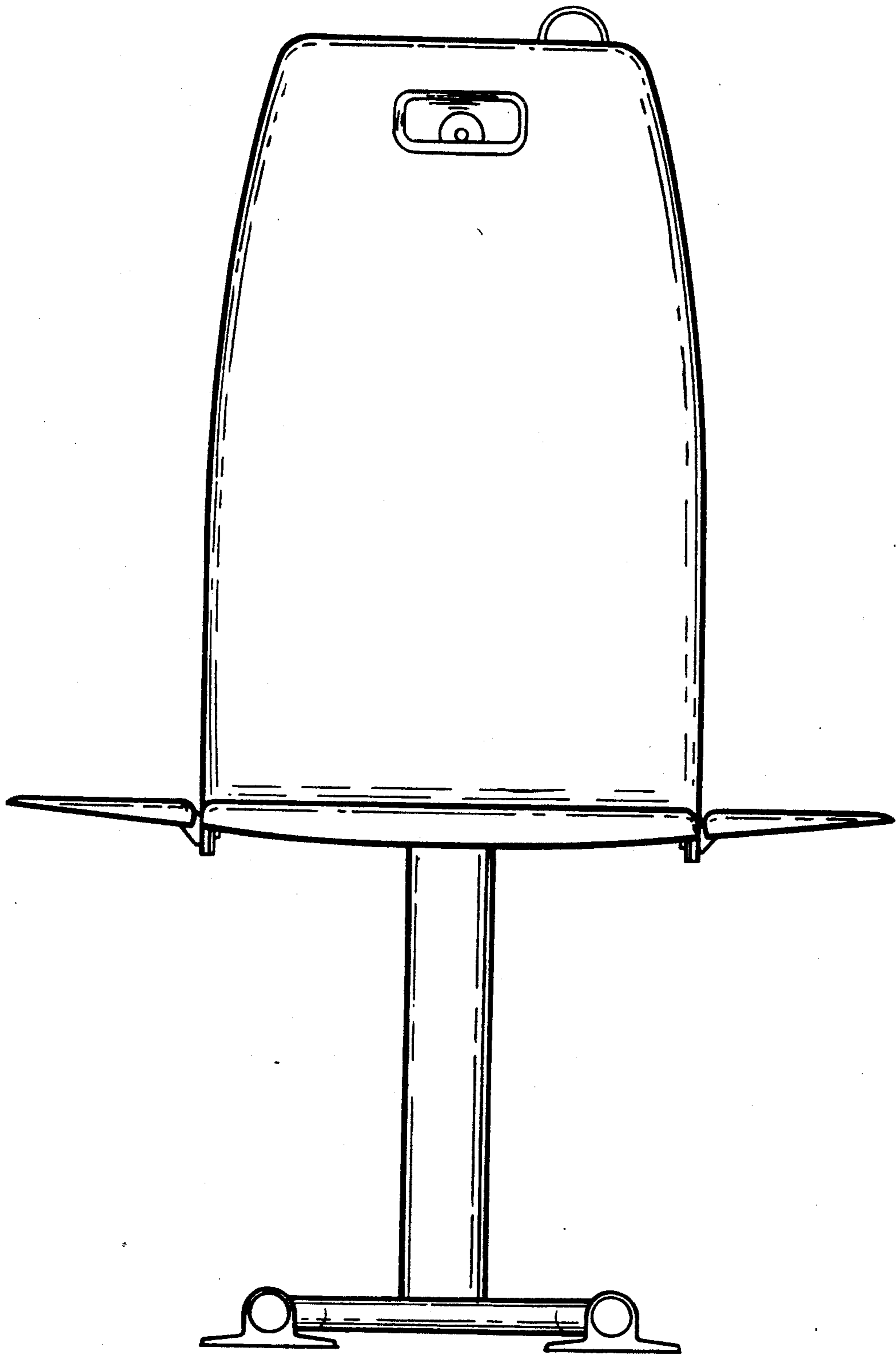


Fig. 5

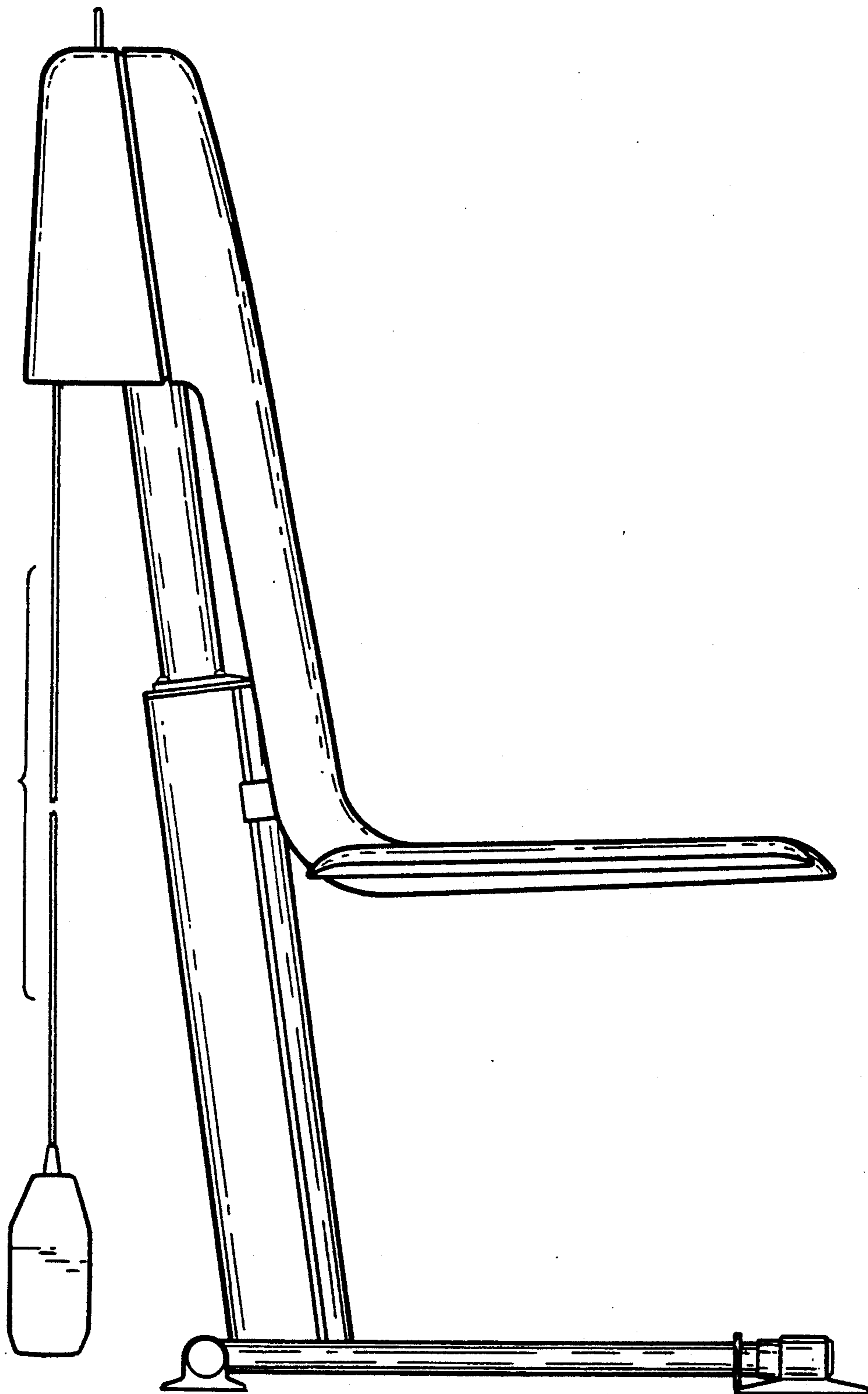


Fig. 6

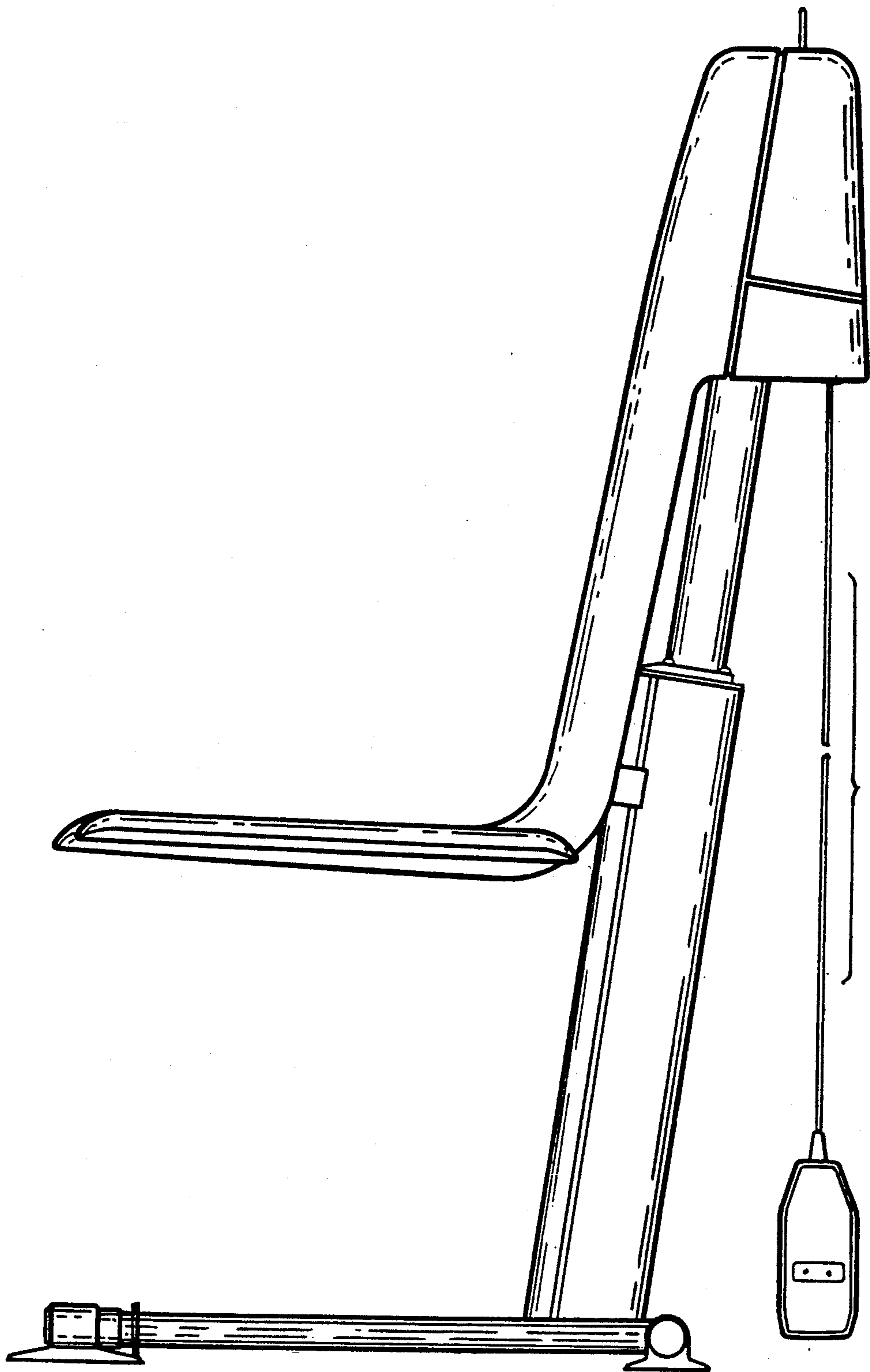


Fig. 7

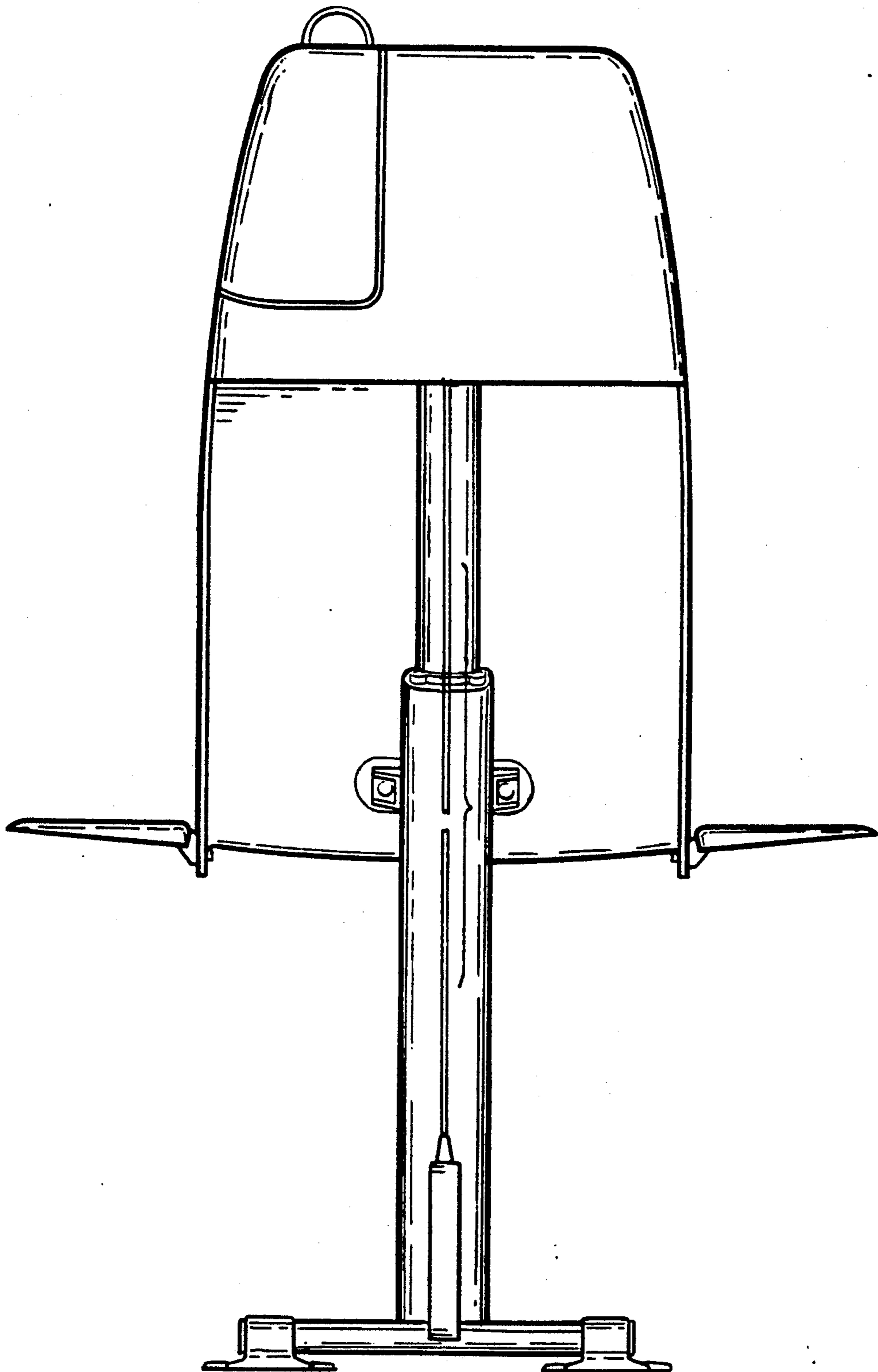


Fig. 8