



US00D337441S

# United States Patent [19]

[11] Patent Number: **Des. 337,441**

Martin et al.

[45] Date of Patent: **\*\* Jul. 20, 1993**

[54] LOUNGE

[56] References Cited

[75] Inventors: **Leo Martin, Coconut Grove; Lloyd L. Goodman, Cooper City, both of Fla.**

### U.S. PATENT DOCUMENTS

D. 316,489 4/1991 Frnier ..... D6/361  
D. 316,490 4/1991 Martin ..... D6/361  
D. 317,087 5/1991 Frnier ..... D6/361

[73] Assignee: **Miami Metal Products, Inc., Miami, Fla.**

### OTHER PUBLICATIONS

Brown Jordan, p. 19, Lounge #1310-7209 at top.

*Primary Examiner*—Alan P. Douglas  
*Assistant Examiner*—Gary D. Watson

[\*\*] Term: **14 Years**

[57] CLAIM

The ornamental design for a lounge, as shown.

[21] Appl. No.: **576,924**

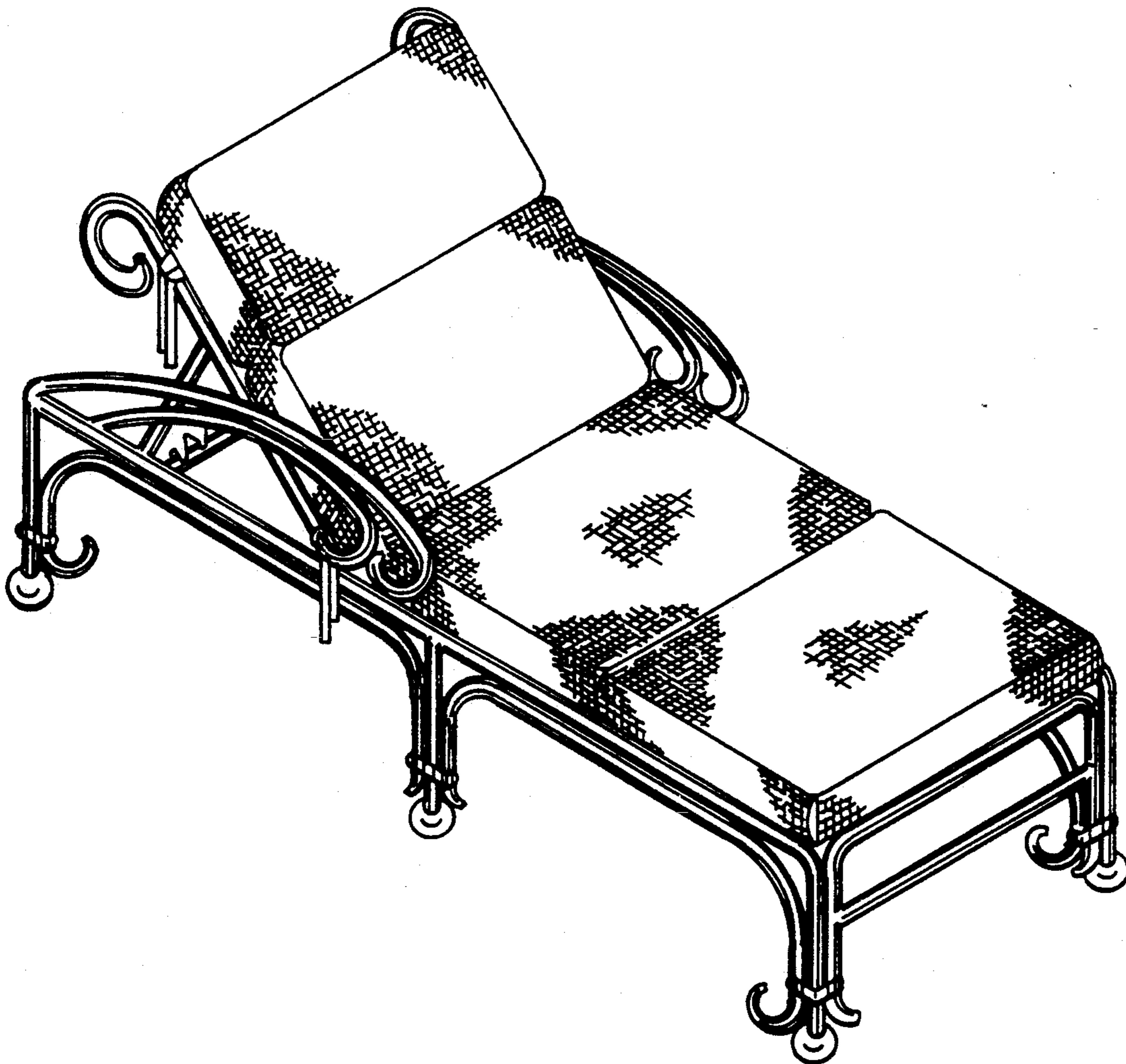
### DESCRIPTION

[22] Filed: **Sep. 4, 1990**

[52] U.S. Cl. .... **D6/361**

[58] Field of Search ..... **D6/334, 360, 361, 367, D6/368, 374, 375, 376, 379, 500, 501, 502; 297/16, 17, 31, 418, 419**

FIG. 1 is a top plan view of the present invention; FIG. 2 is a left hand side view of the present invention; FIG. 3 is a front view of the present invention; FIG. 4 is a back view of the present invention; FIG. 5 is a bottom view of the present invention; and, FIG. 6 is a three quarter right front perspective view of the present invention.



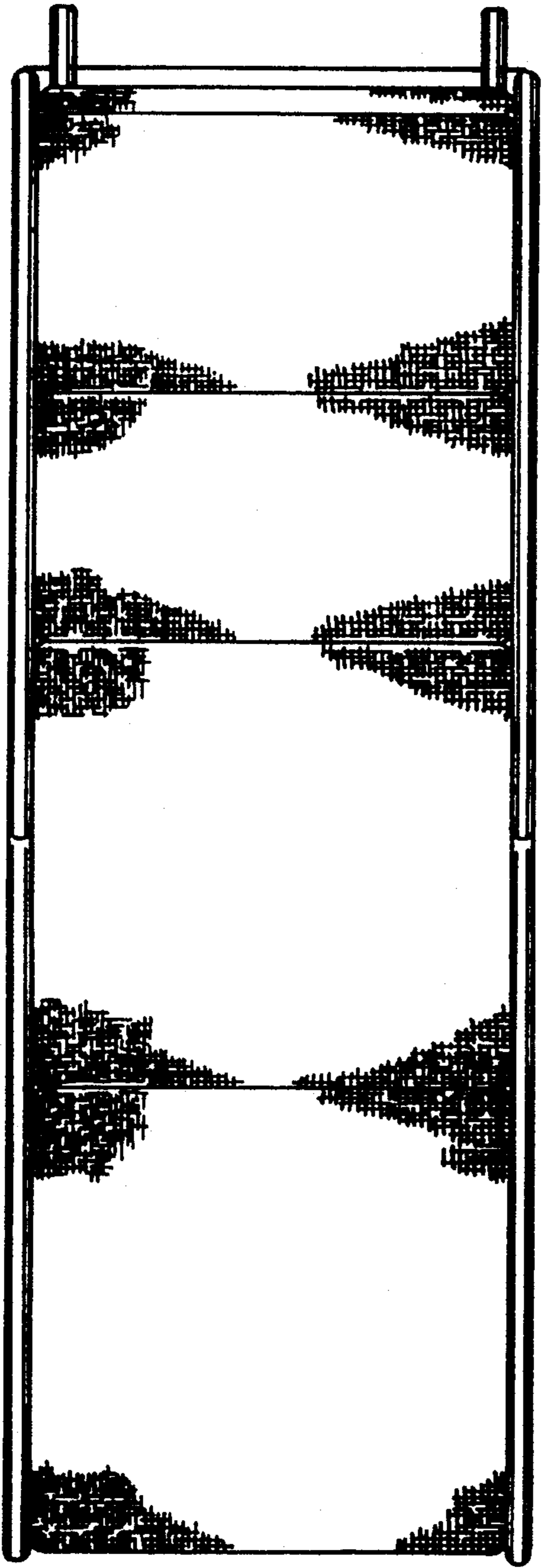


FIG. 1

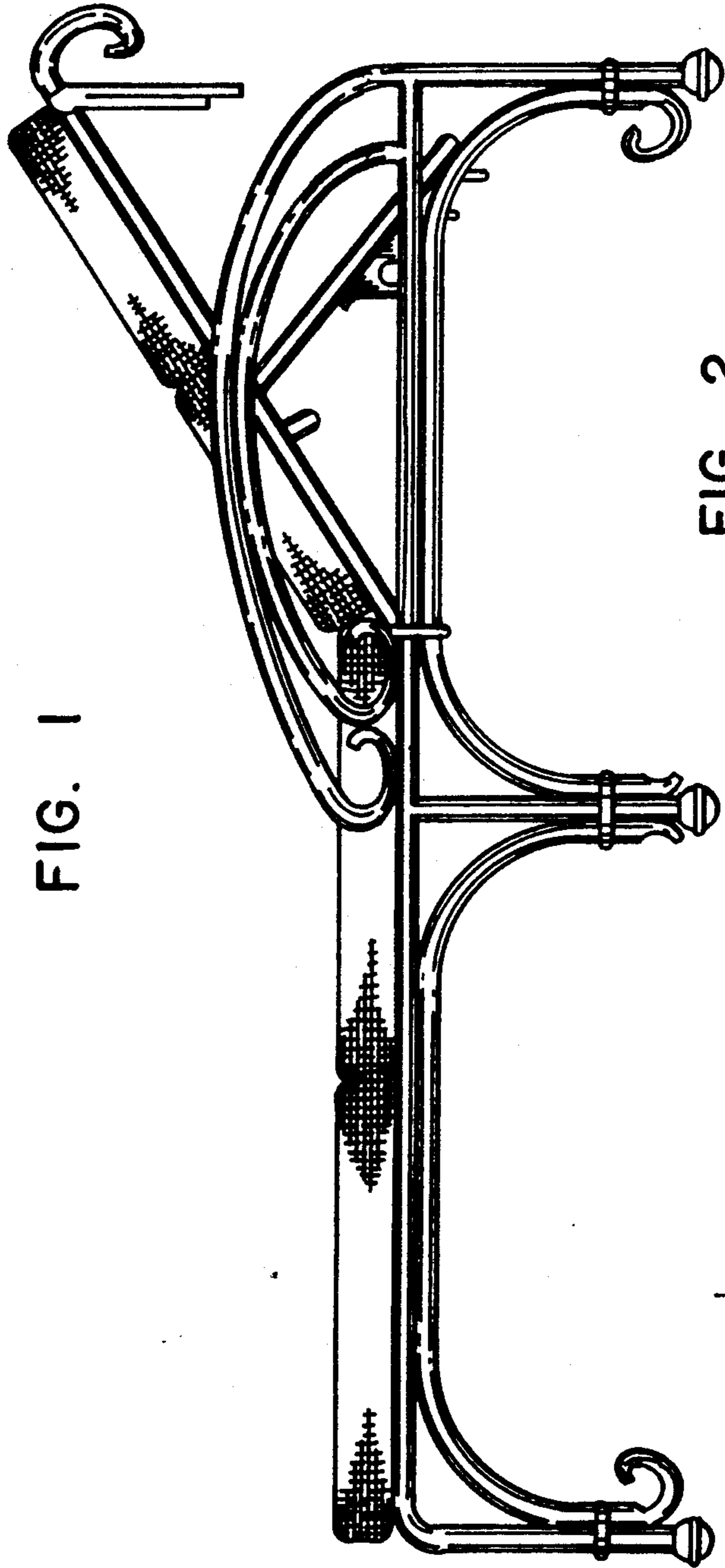


FIG. 2

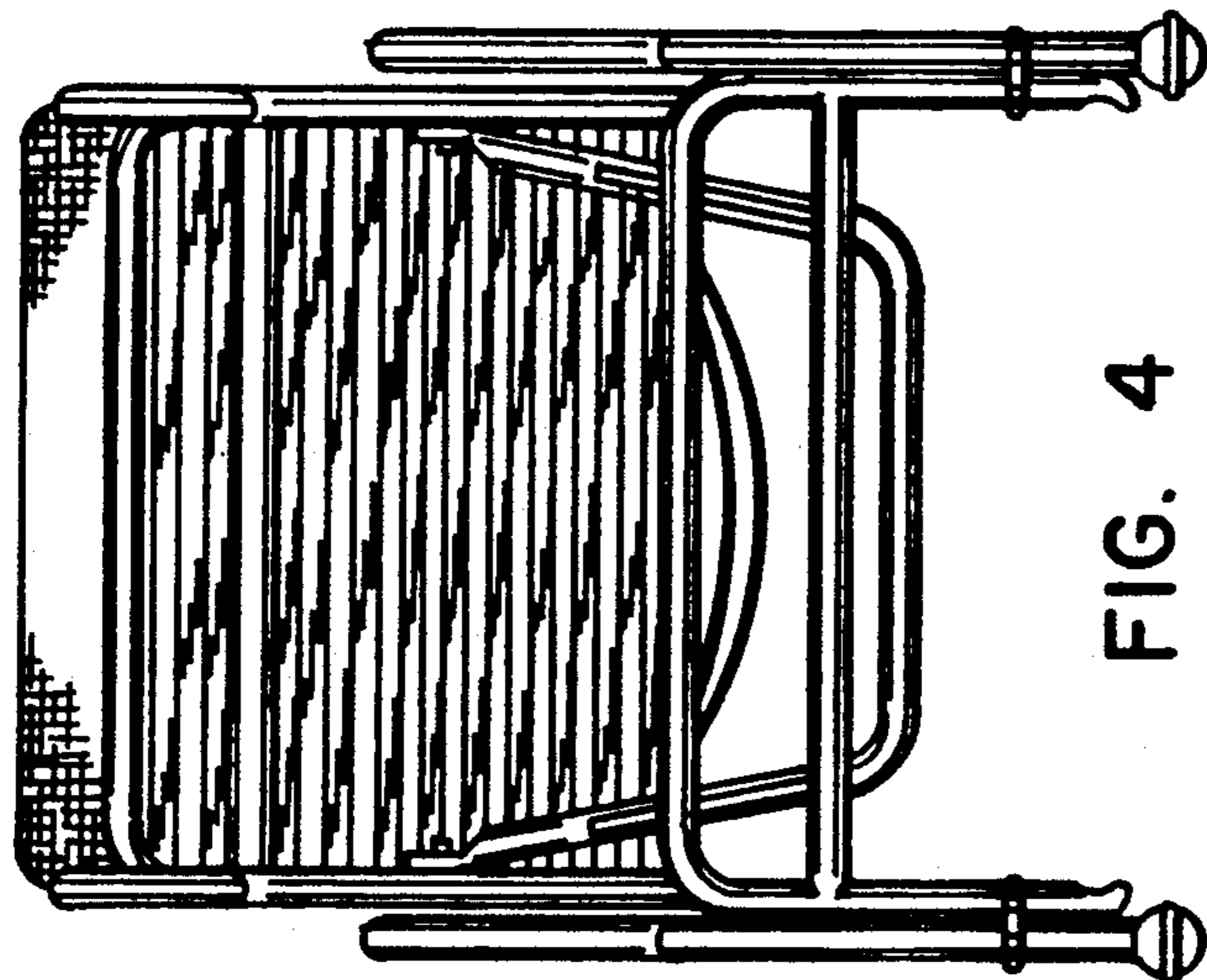


FIG. 4

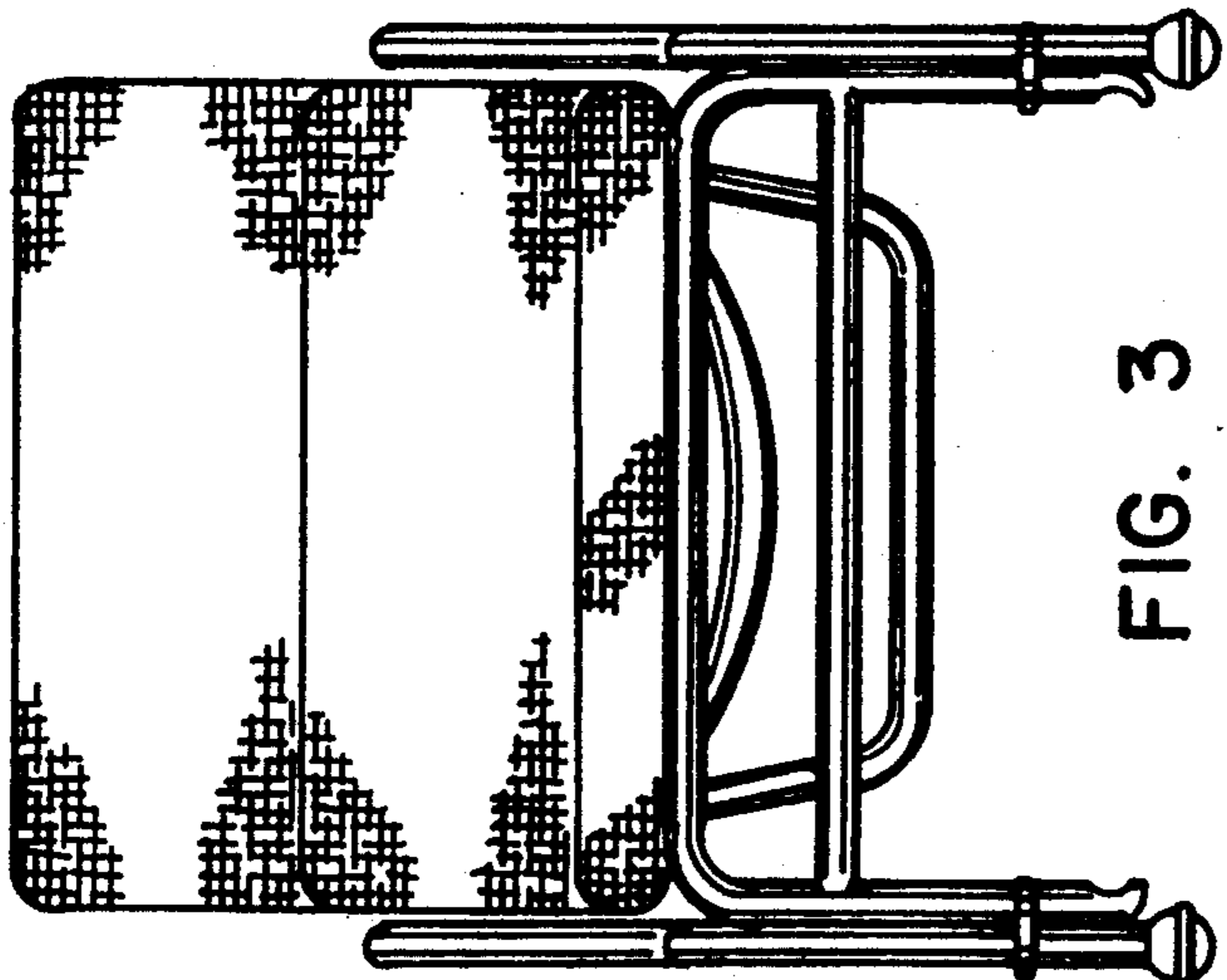


FIG. 3

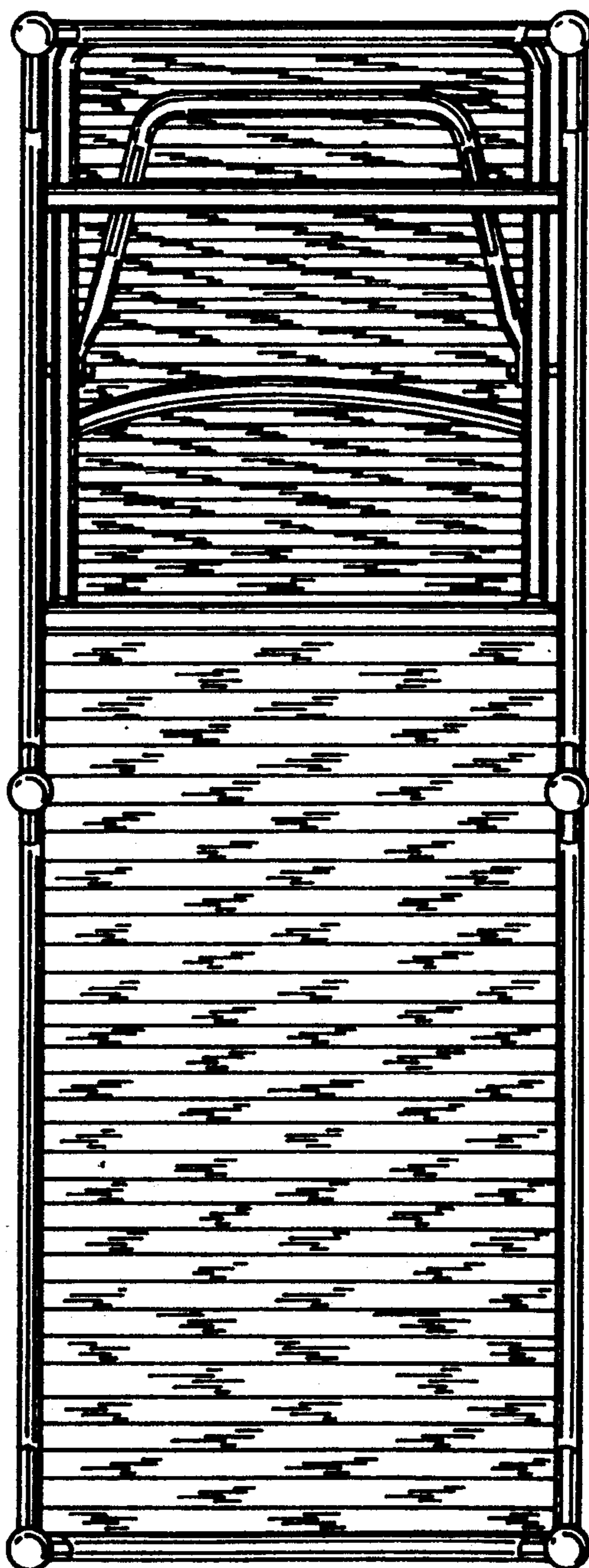


FIG. 5



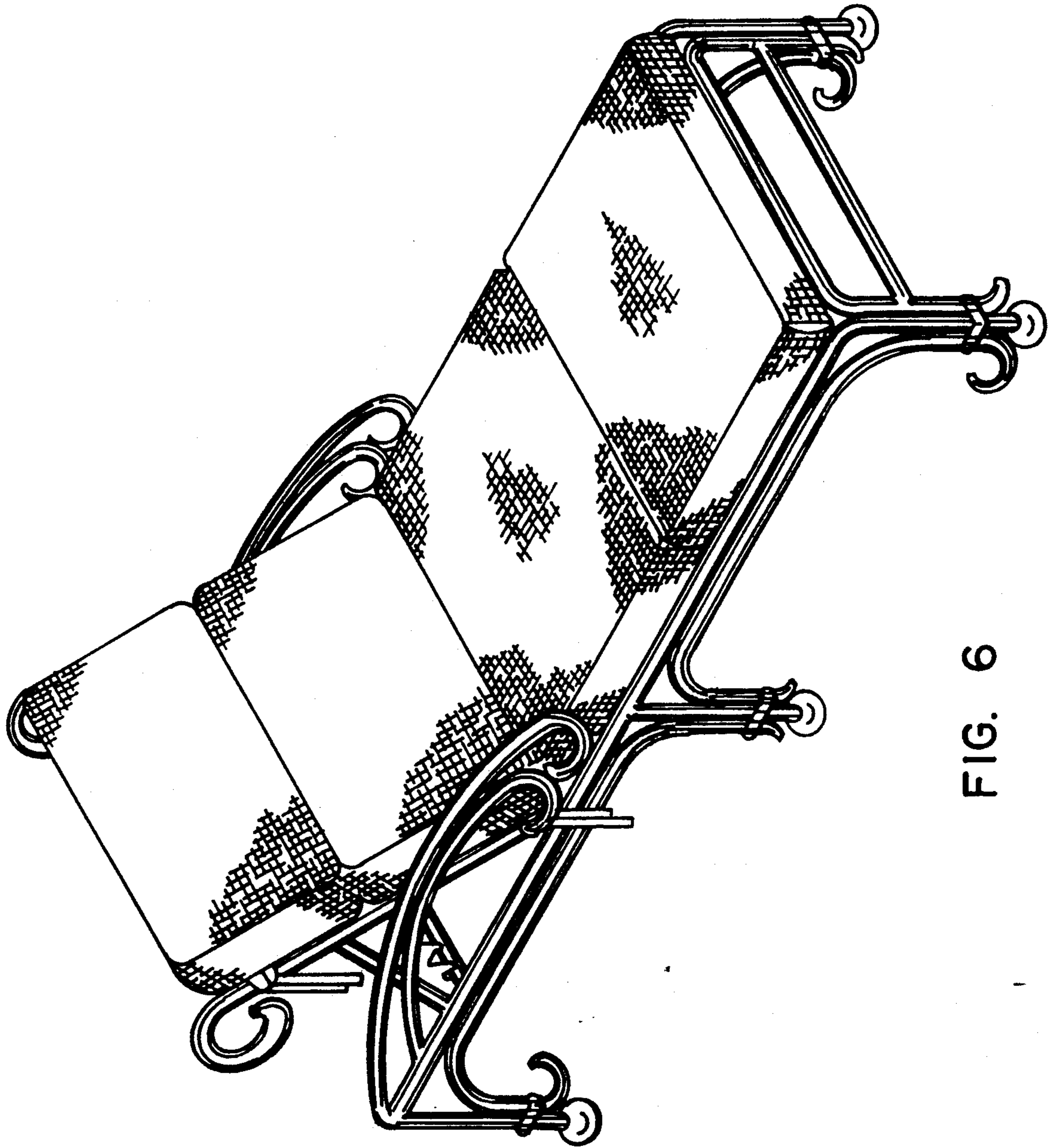


FIG. 6