



US00D337437S

# United States Patent [19]

[11] Patent Number: **Des. 337,437**

**Lunderman**

[45] Date of Patent: **\*\* Jul. 20, 1993**

- [54] **HAIRBRUSH HANDLE**
- [75] Inventor: **William H. Lunderman, New York, N.Y.**
- [73] Assignee: **Revlon Consumer Products Corporation, New York, N.Y.**
- [\*\*] Term: **14 Years**
- [21] Appl. No.: **721,373**
- [22] Filed: **Jun. 24, 1991**
- [52] U.S. Cl. .... **D4/138**
- [58] Field of Search ..... **D4/128, 116, 131-136, D4/138; D28/35; 15/143.1, 159.1, 160, 164, 186-187; 132/120**

D. 299,976 2/1989 Elkerbout ..... D4/116 X

*Primary Examiner*—Wallace R. Burke  
*Assistant Examiner*—Lavone D. Tabor  
*Attorney, Agent, or Firm*—Julie Blackburn

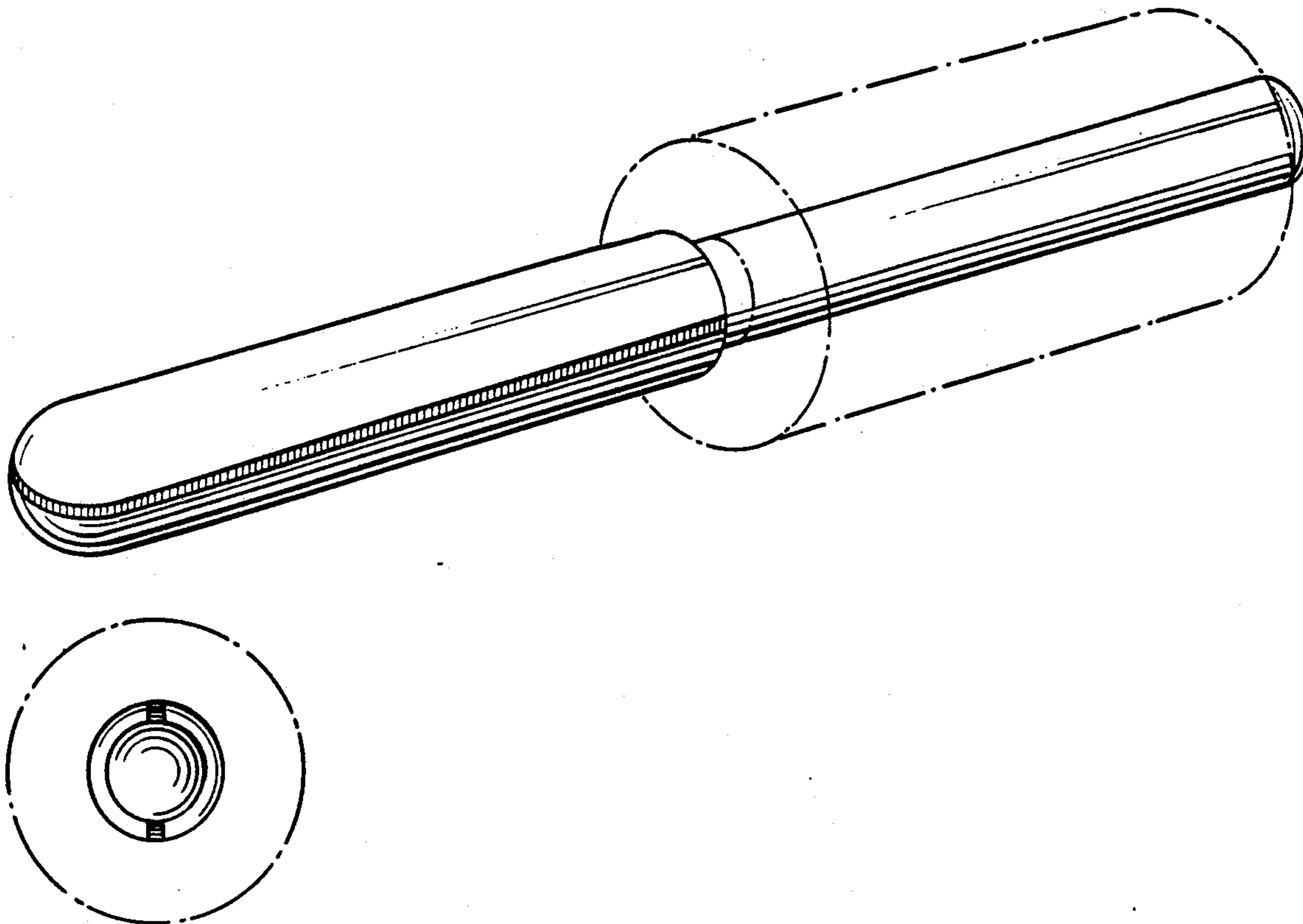
### [57] CLAIM

The ornamental design for a hairbrush handle, as shown and described.

### DESCRIPTION

FIG. 1 is a perspective view of the hairbrush handle showing the new design;  
 FIG. 2 is a right side elevational view thereof, the left side being a mirror image;  
 FIG. 3 is a top plan view thereof, the bottom plan being a mirror image;  
 FIG. 4 is an end elevational view as seen from the left of FIG. 3; and,  
 FIG. 5 is an elevational view of the opposite end thereof.  
 The broken line showing of bristles is for illustrative purposes only and forms no part of the claimed design.

- [56] **References Cited**
- U.S. PATENT DOCUMENTS**
- D. 281,728 12/1985 Sherman ..... D4/128
- D. 292,850 11/1987 Glasberg ..... D4/128
- D. 299,279 1/1989 Reeves et al. .... D4/128 X



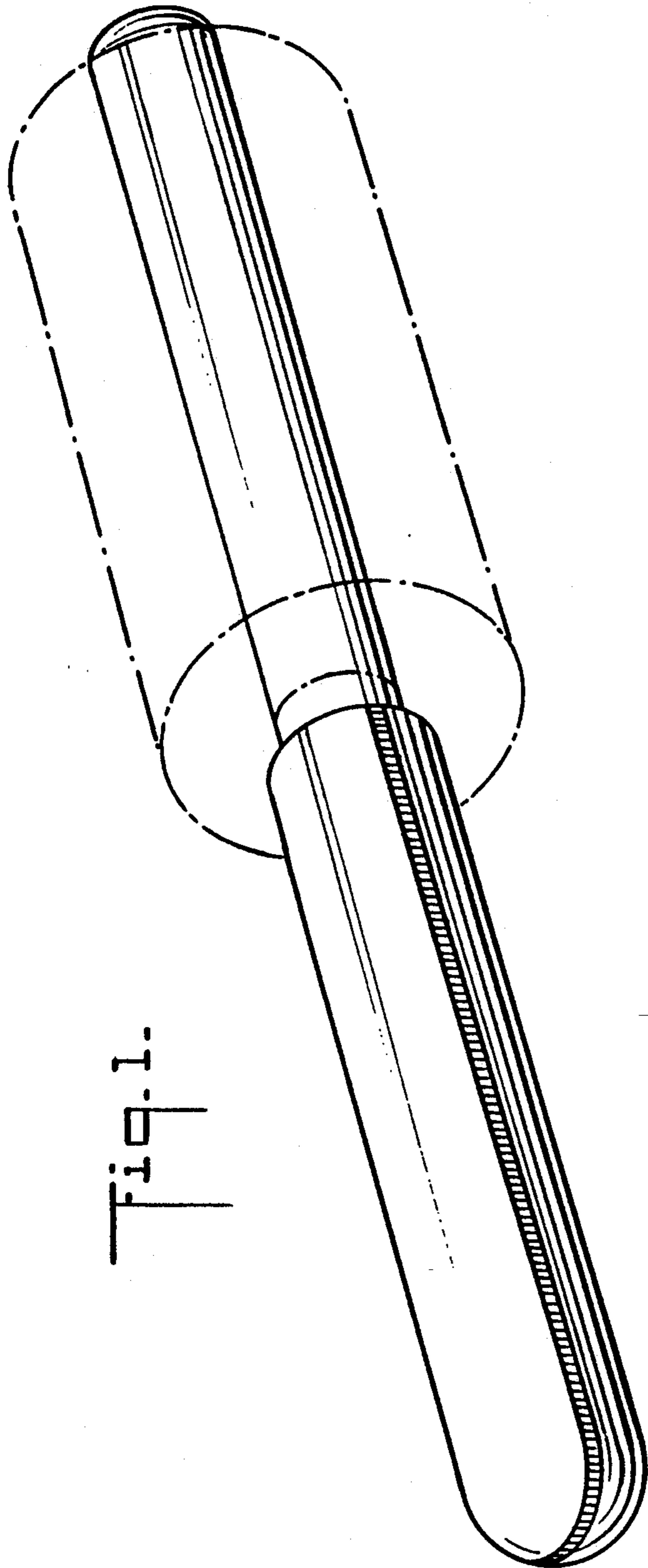


Fig. 2.

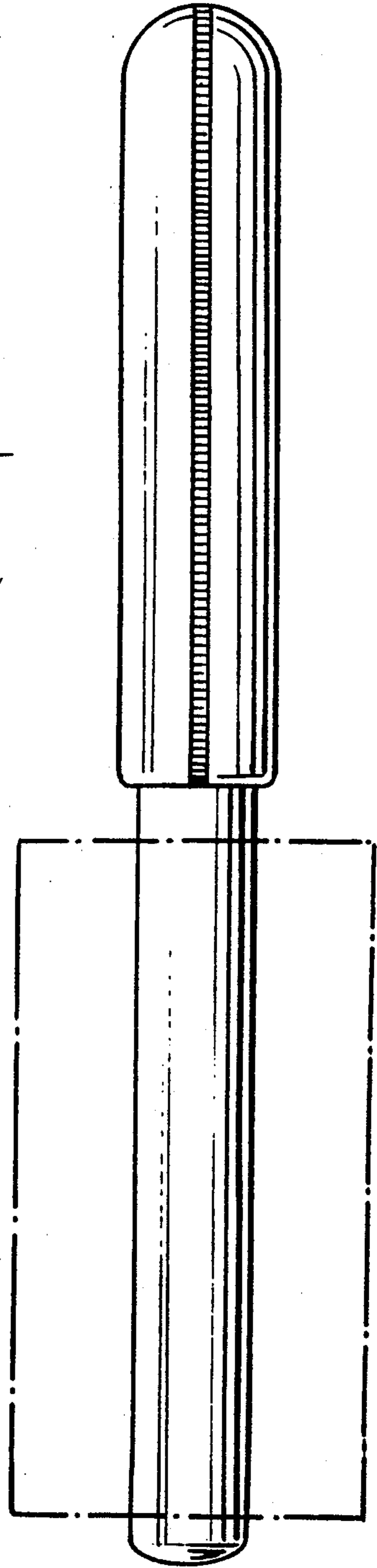


Fig. 3

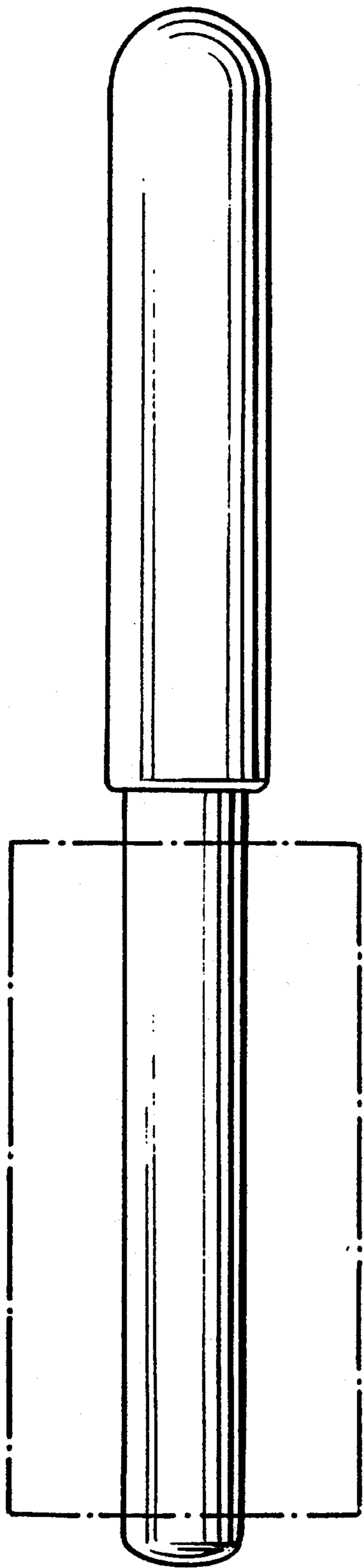


Fig. 5

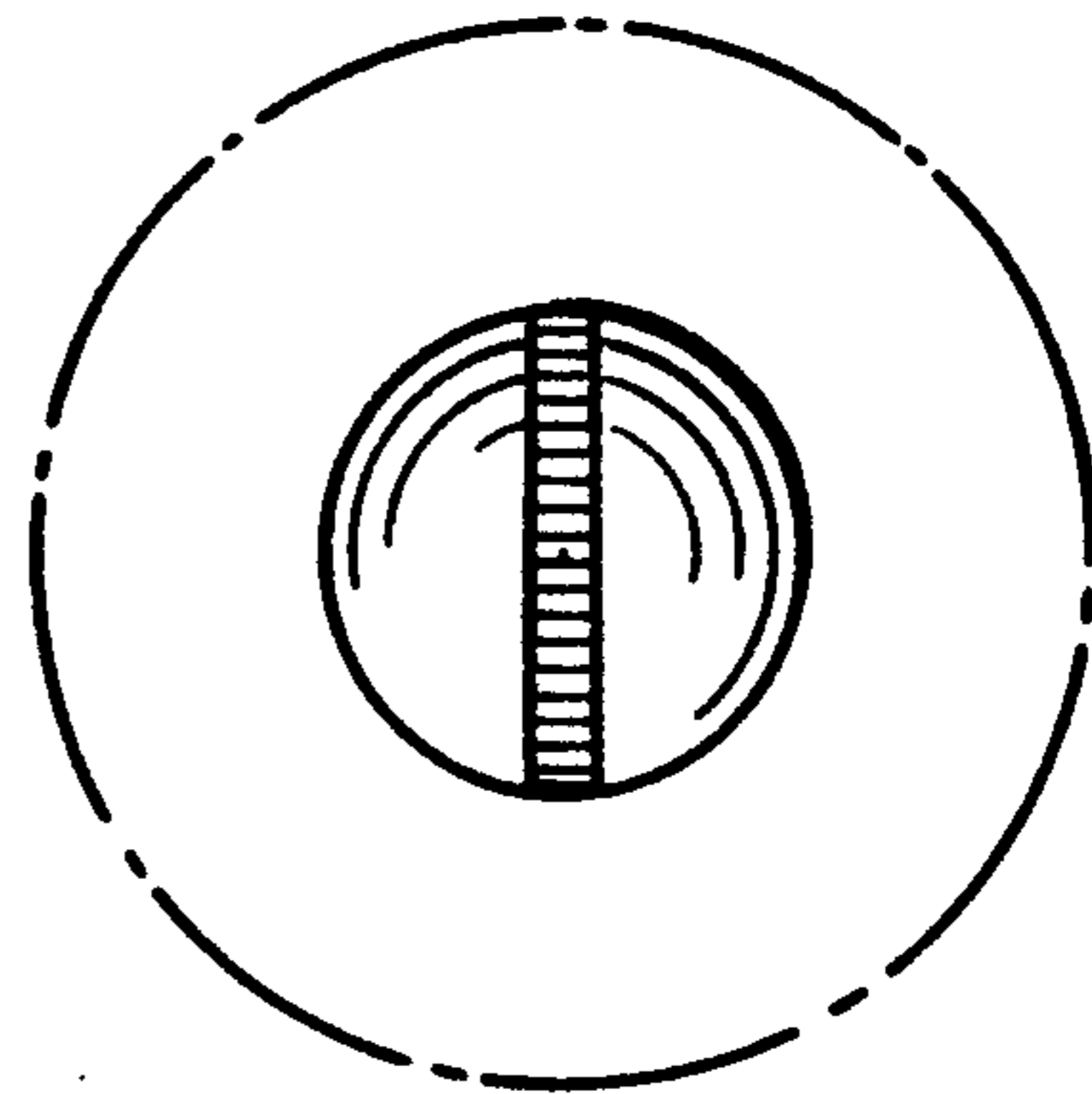


Fig. 4

