



US00D337430S

United States Patent [19]

[11] Patent Number: **Des. 337,430**

Gaither et al.

[45] Date of Patent: **** Jul. 20, 1993**

[54] **YARN HOLDER**

[56] **References Cited**

[76] Inventors: **Charles E. Gaither, P.O. Box 502;**
Linda K. Davis, P.O. Box 524, both of
Riverbank, Calif. 95367

U.S. PATENT DOCUMENTS

D. 127,614 6/1941 Bishop D3/23
D. 161,250 12/1950 Delucchi D3/23
2,491,585 12/1949 Sammons D3/24 X

[**] Term: **14 Years**

Primary Examiner—Louis S. Zarfes
Attorney, Agent, or Firm—Leon Gilden

[57] **CLAIM**

The ornamental design for a yarn holder, as shown and described.

[21] Appl. No.: **608,314**

DESCRIPTION

[22] Filed: **Nov. 2, 1990**

[52] U.S. Cl. **D3/23**

[58] Field of Search **D3/23-25,**
D3/18; 66/116-118; 38/102.2; 223/106-109 A,
111, 120, 99

FIG. 1 is a front elevational view of the yarn holder showing my new design;

FIG. 2 is a rear elevational view thereof;

FIG. 3 is a left side elevational view thereof;

FIG. 4 is a right side elevational view thereof;

FIG. 5 is a top plan view thereof; and,

FIG. 6 is a bottom plan view thereof.

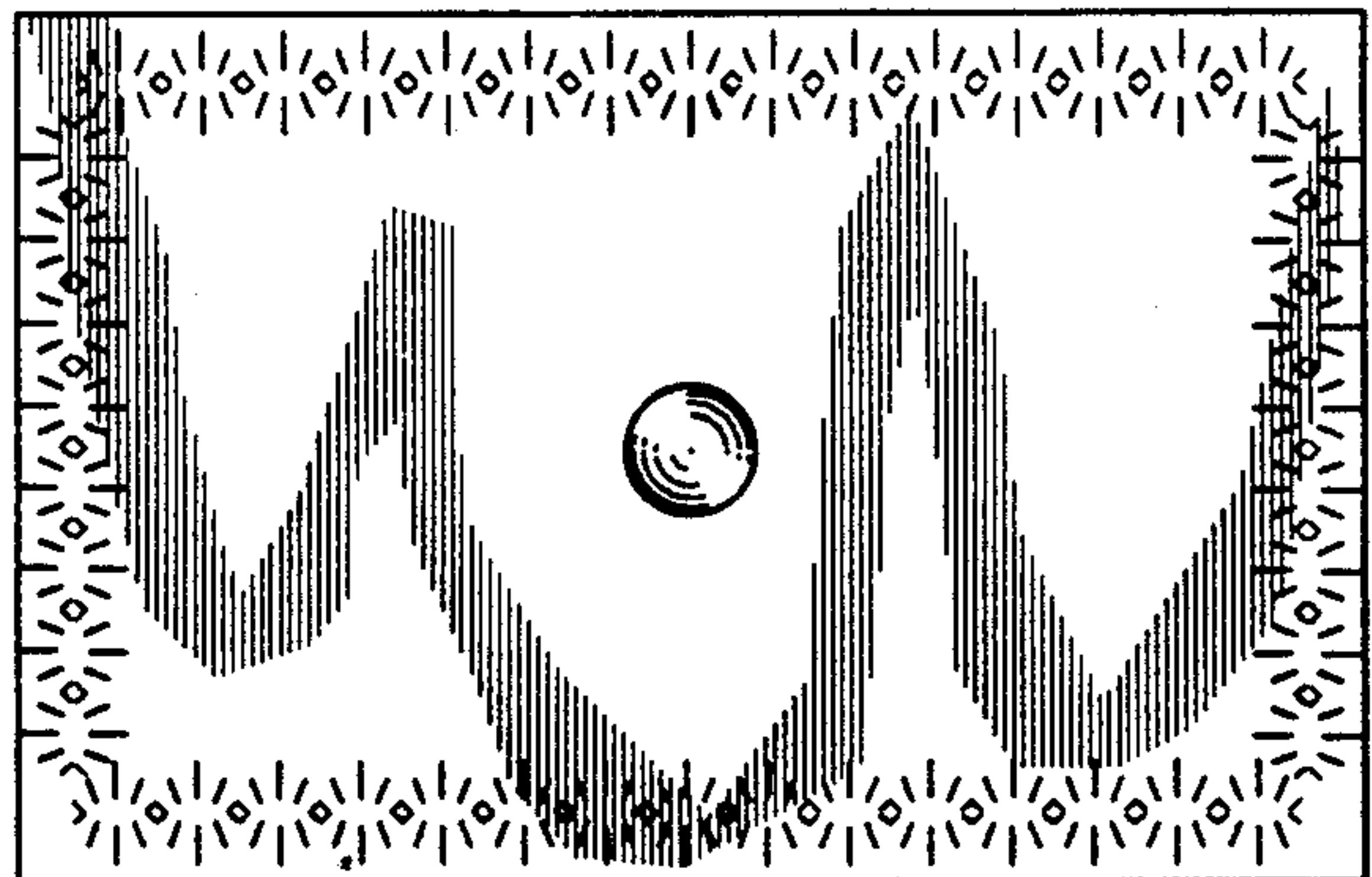
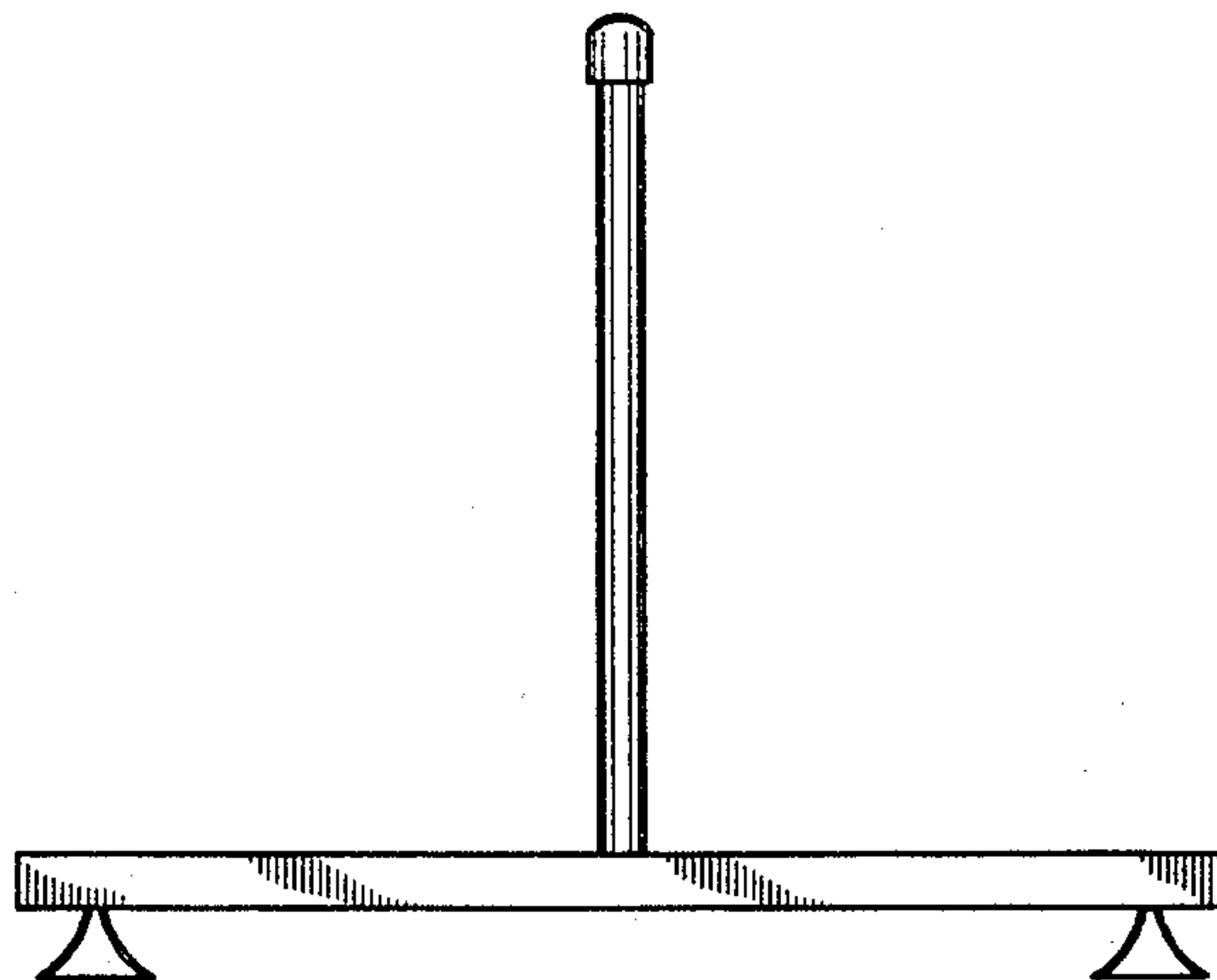


FIG. 1

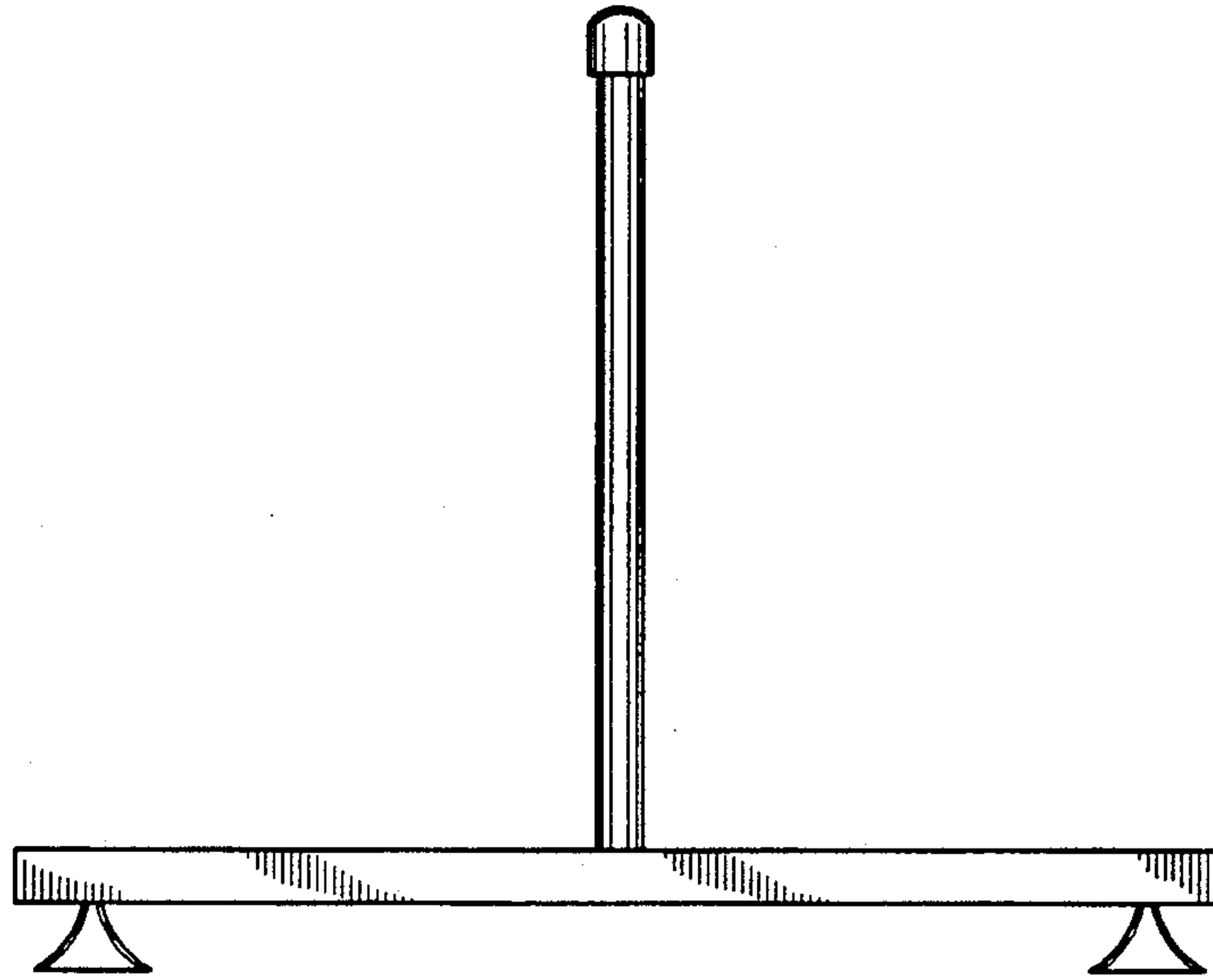


FIG. 2

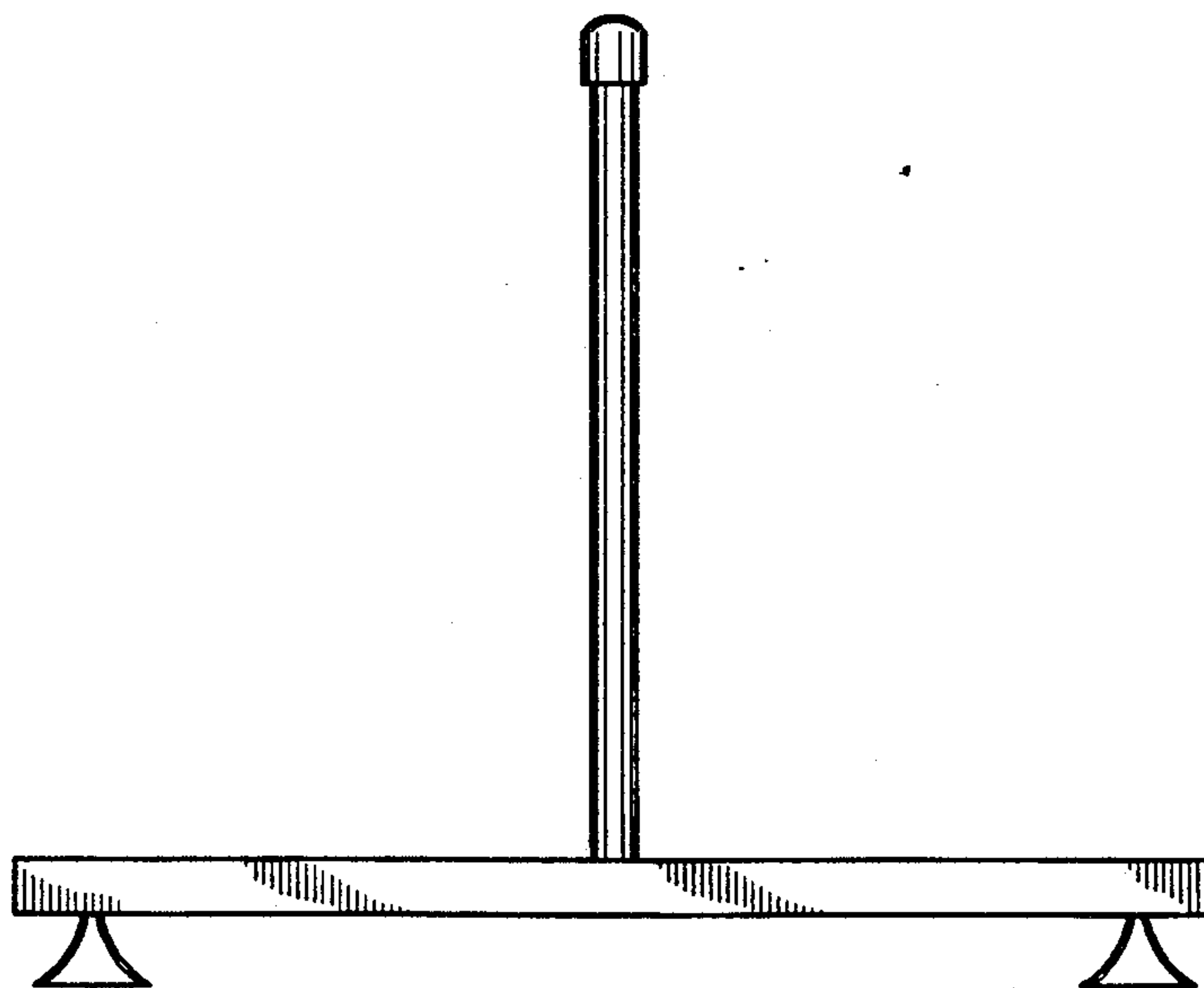


FIG. 3

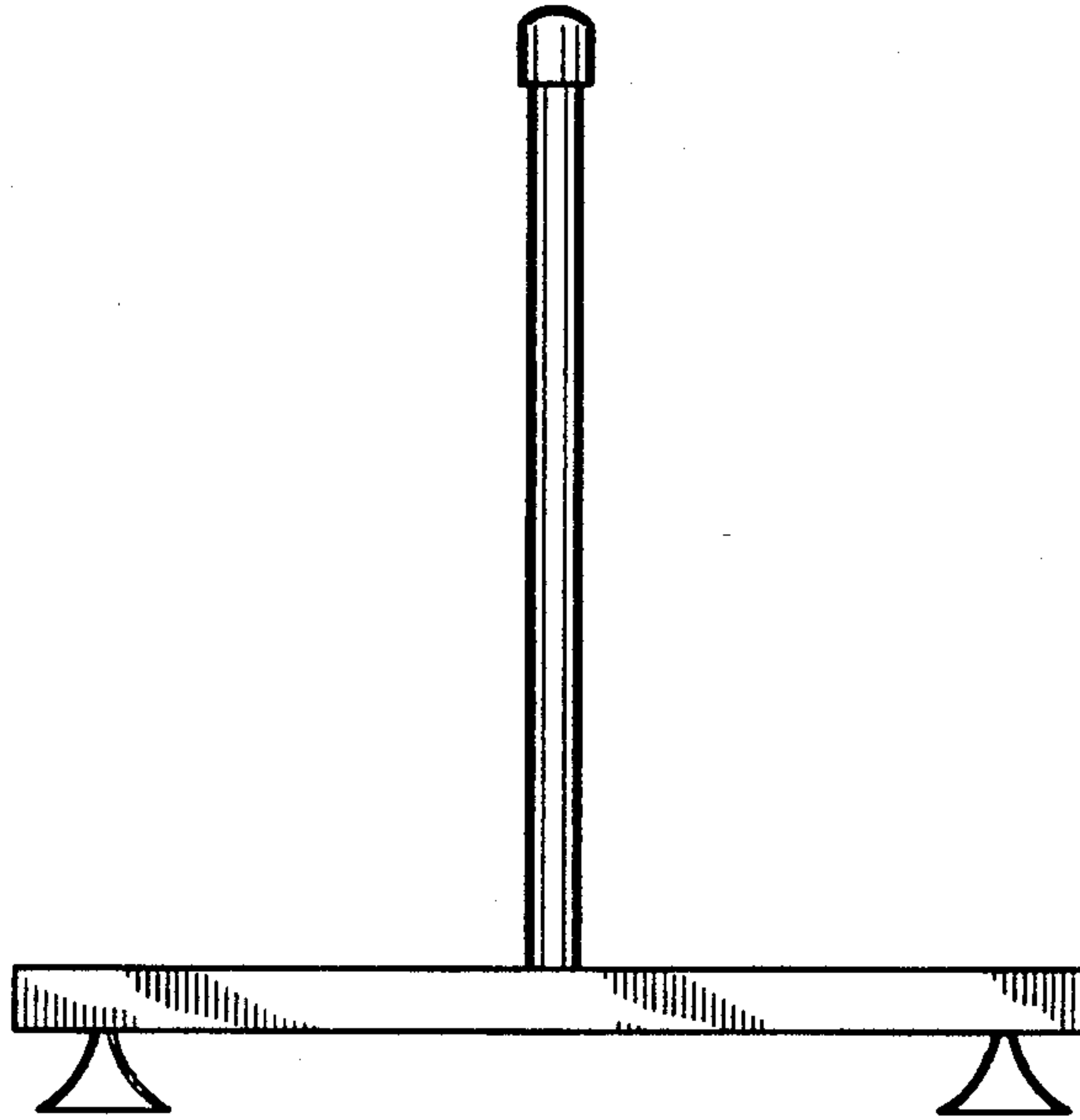


FIG. 4

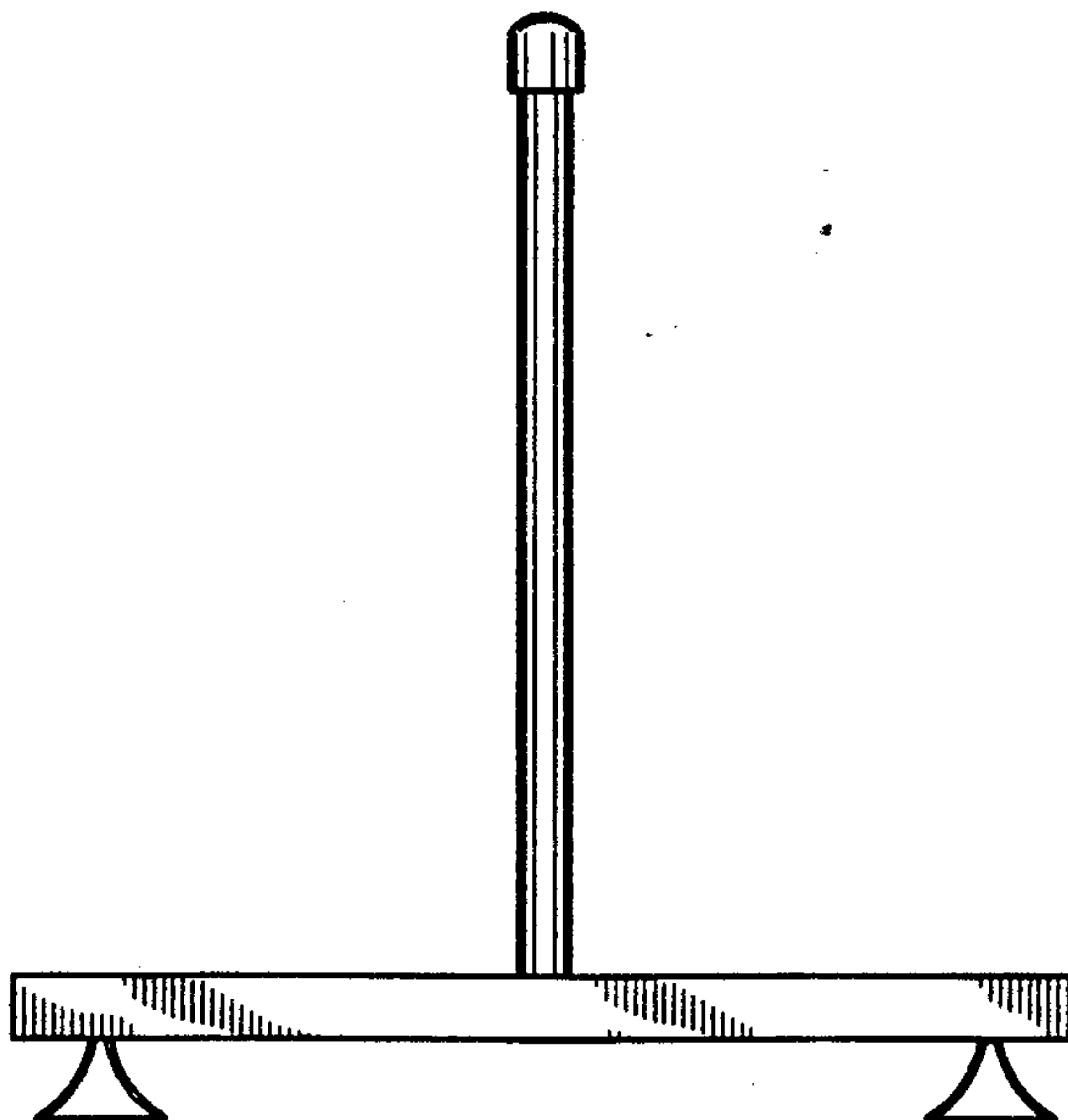


FIG. 5

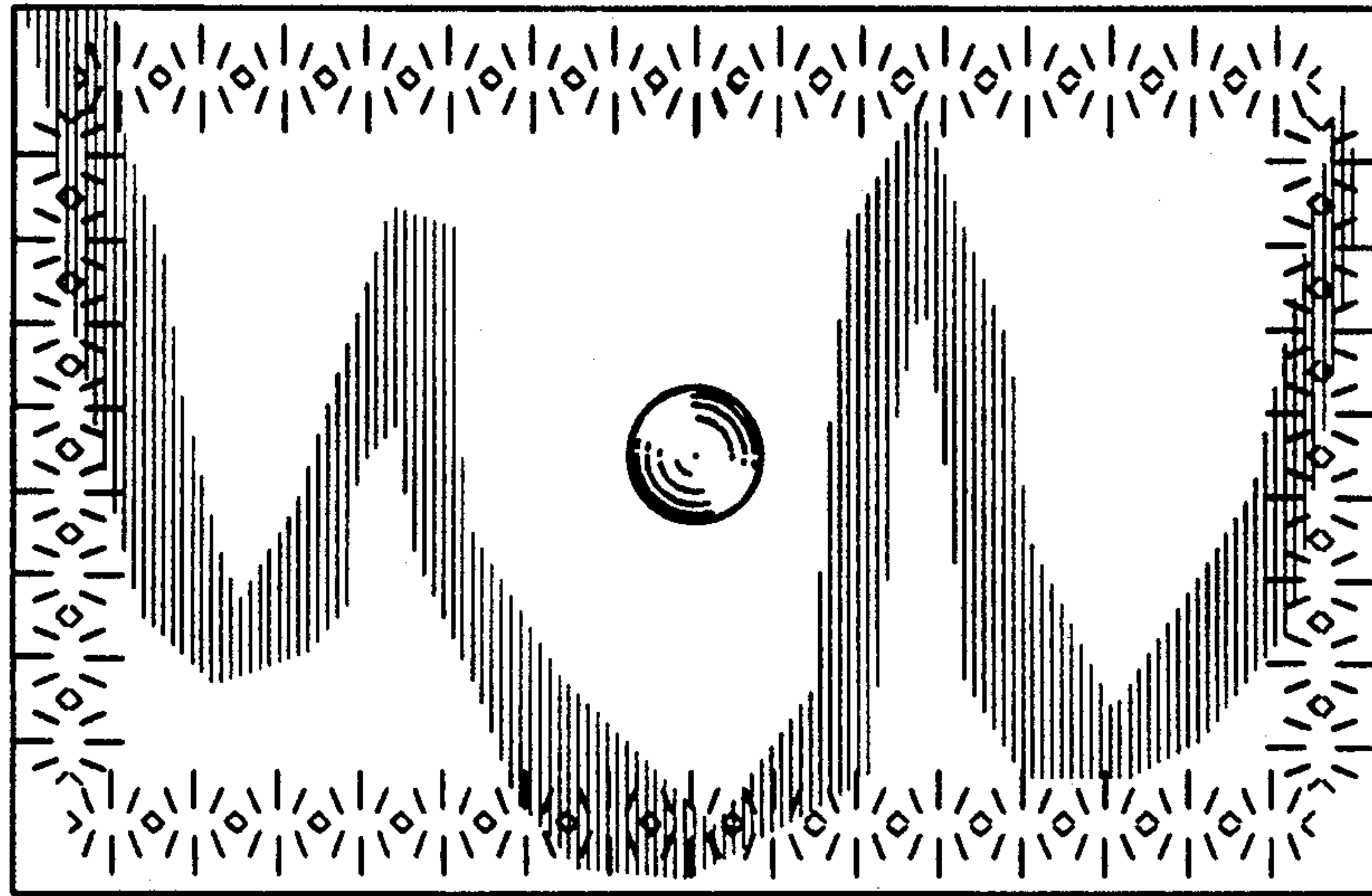


FIG. 6

