



US00D337411S

United States Patent [19]
Smith

[11] **Patent Number: Des. 337,411**

[45] **Date of Patent: ** Jul. 13, 1993**

[54] **LIFTING MAGNET**

1226762 10/1966 Fed. Rep. of Germany 335/291
0290186 11/1931 Italy 335/291

[75] **Inventor: William C. Smith, Butler, Pa.**

Primary Examiner—Wallace R. Burke

[73] **Assignee: Harsco Corporation,
Wormleysburgh, Pa.**

Assistant Examiner—Joel Sincavage

Attorney, Agent, or Firm—Kerkam, Stowell, Kondracki
& Clarke

[**] **Term: 14 Years**

[57] **CLAIM**

[21] **Appl. No.: 685,568**

The ornamental design for a lifting magnet, as shown
and described.

[22] **Filed: Apr. 12, 1991**

[52] **U.S. Cl. D34/35; D13/183**

DESCRIPTION

[58] **Field of Search D13/183; D8/388;
D21/51, 53; 335/285, 288, 289, 291, 294, 295;
D34/35**

FIG. 1 is an upper front perspective view of a lifting
magnet showing my new design;

FIG. 2 is a front elevational view thereof, the rear and
side elevational views being the same;

FIG. 3 is a top plan view thereof;

FIG. 4 is a bottom plan view thereof; and,

FIG. 5 is a lower rear perspective view thereof.

The broken line showing of lifting brackets and chains
and of the electrical connection box and shield in FIG.
1 and of the lifting brackets and the electrical connec-
tion box and shield in FIG. 3 are for illustrative pur-
poses only and form no part of the claimed design.

[56] **References Cited**

U.S. PATENT DOCUMENTS

1,727,553 9/1929 McCullough 335/291
4,112,248 9/1978 Leive 335/294 X
4,424,522 11/1983 Rybak 335/291

FOREIGN PATENT DOCUMENTS

0506873 11/1930 Fed. Rep. of Germany 335/291

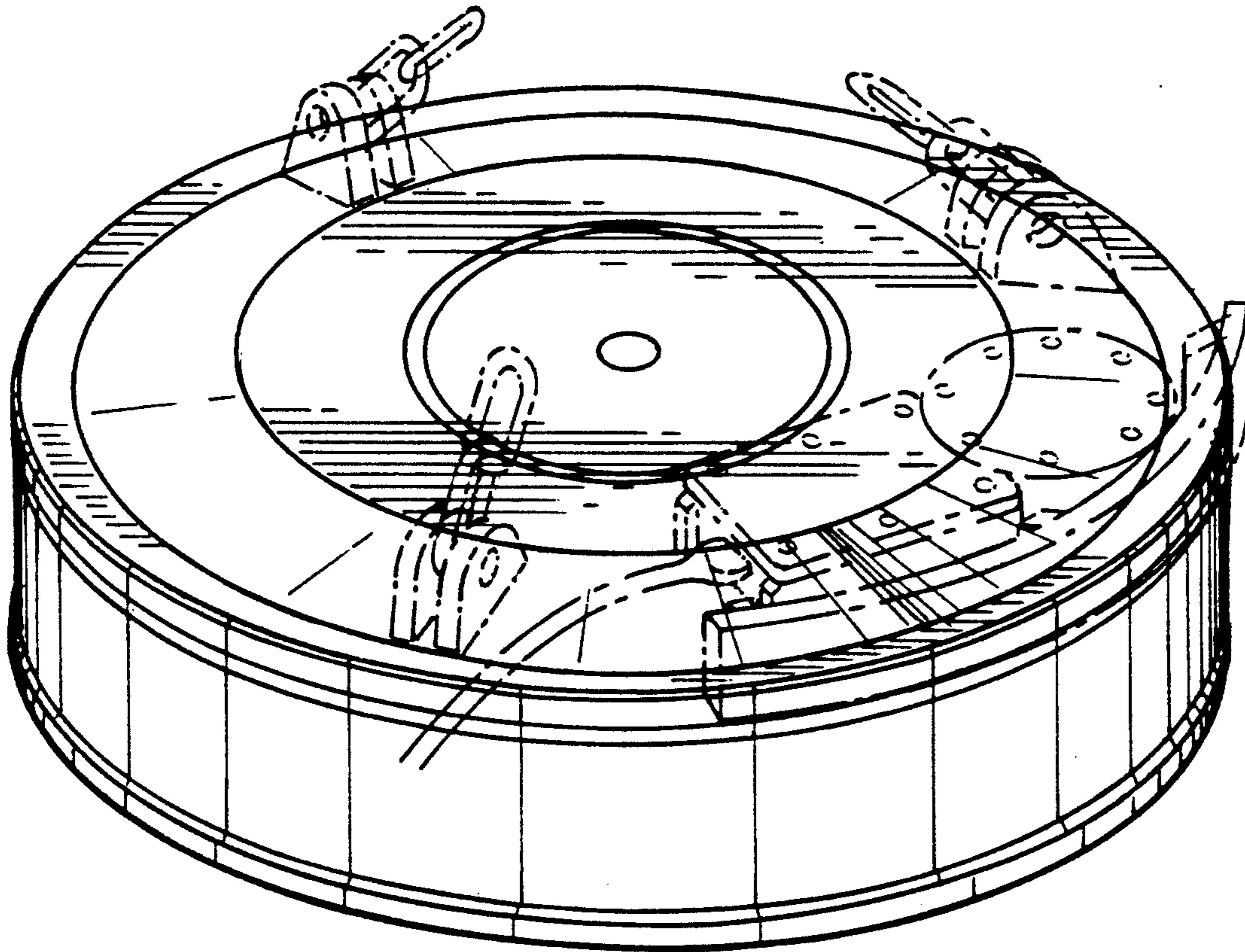


FIG. 1

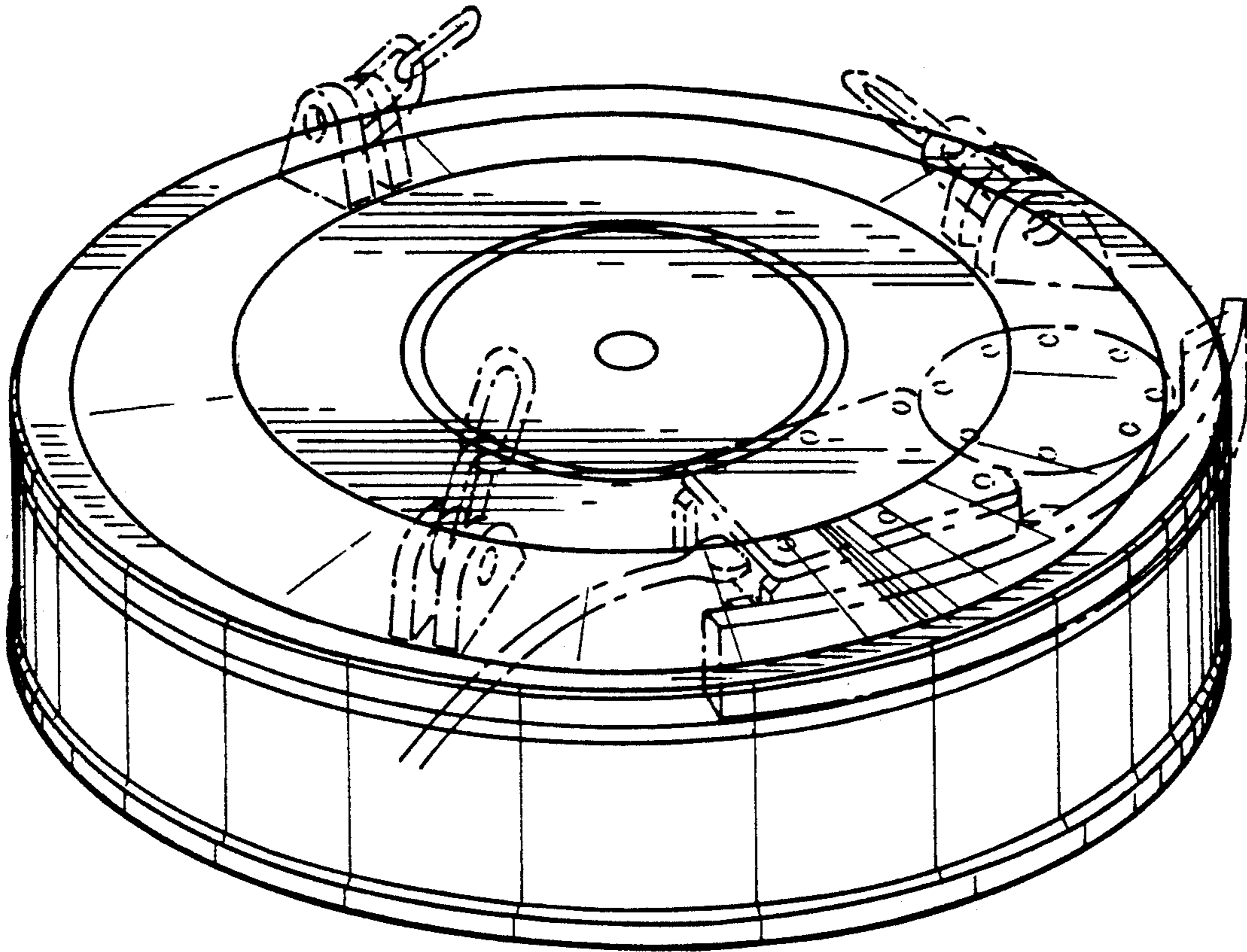


FIG. 2

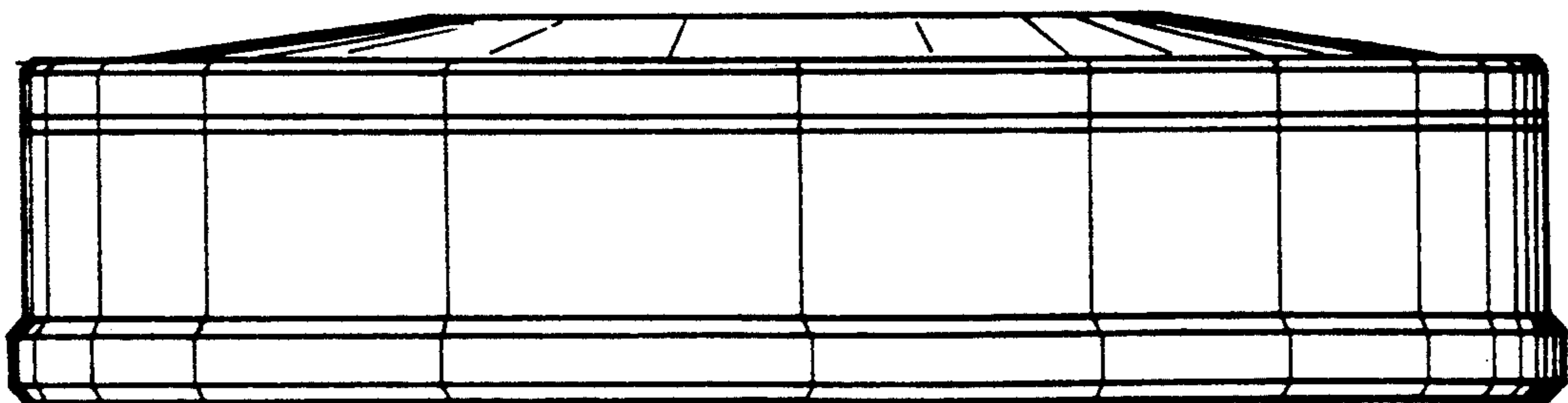


FIG. 3

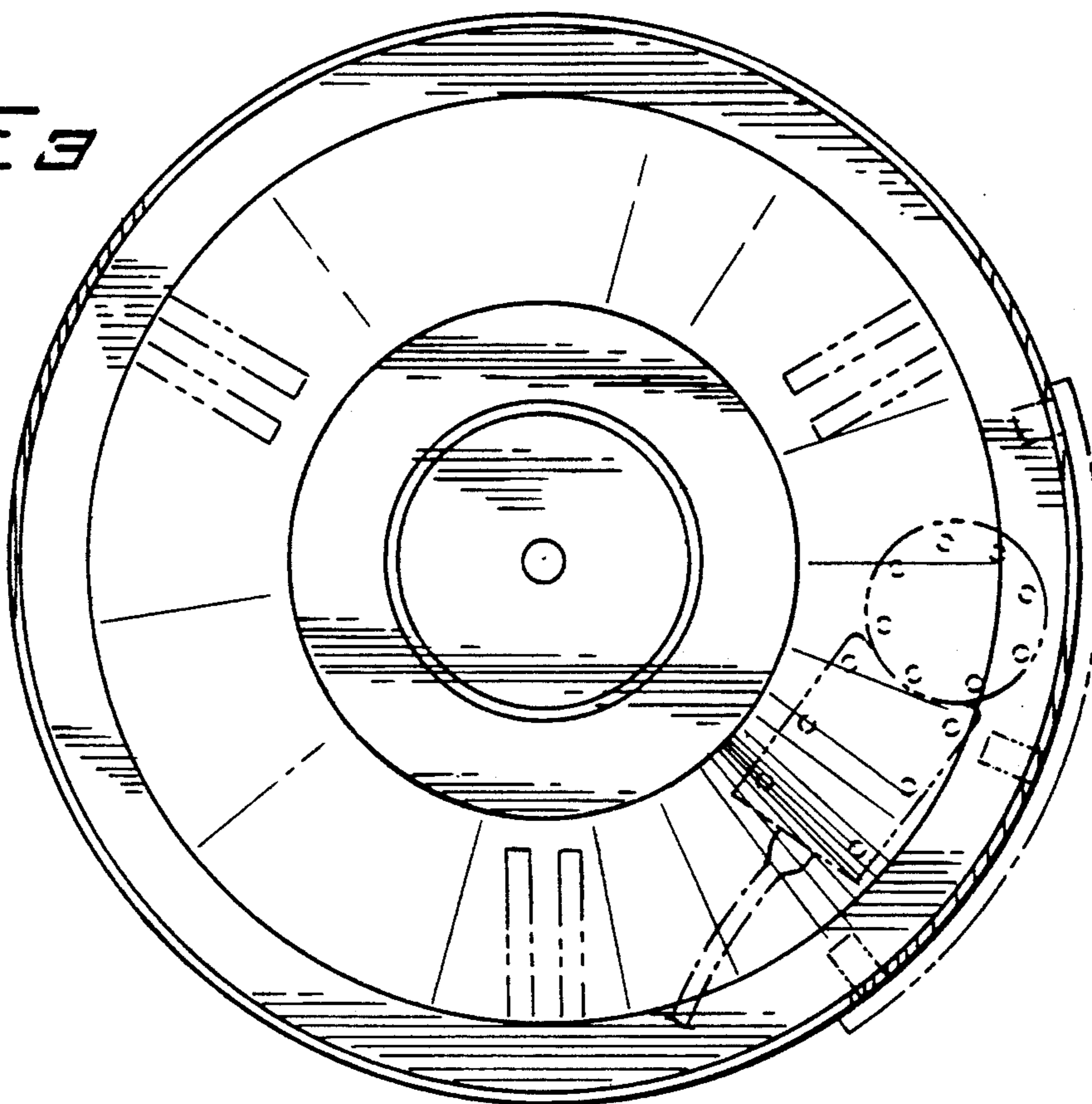
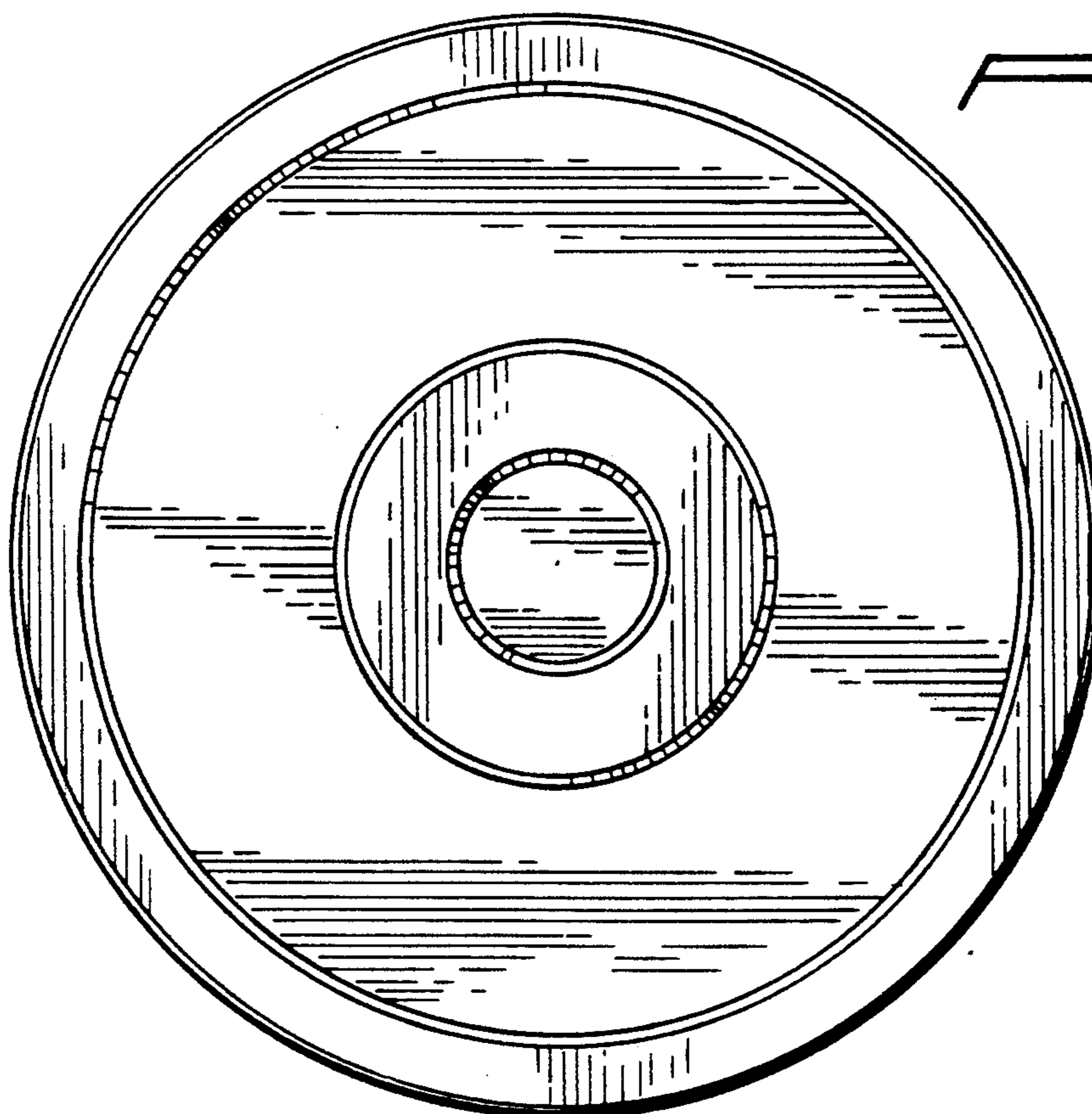


FIG. 4



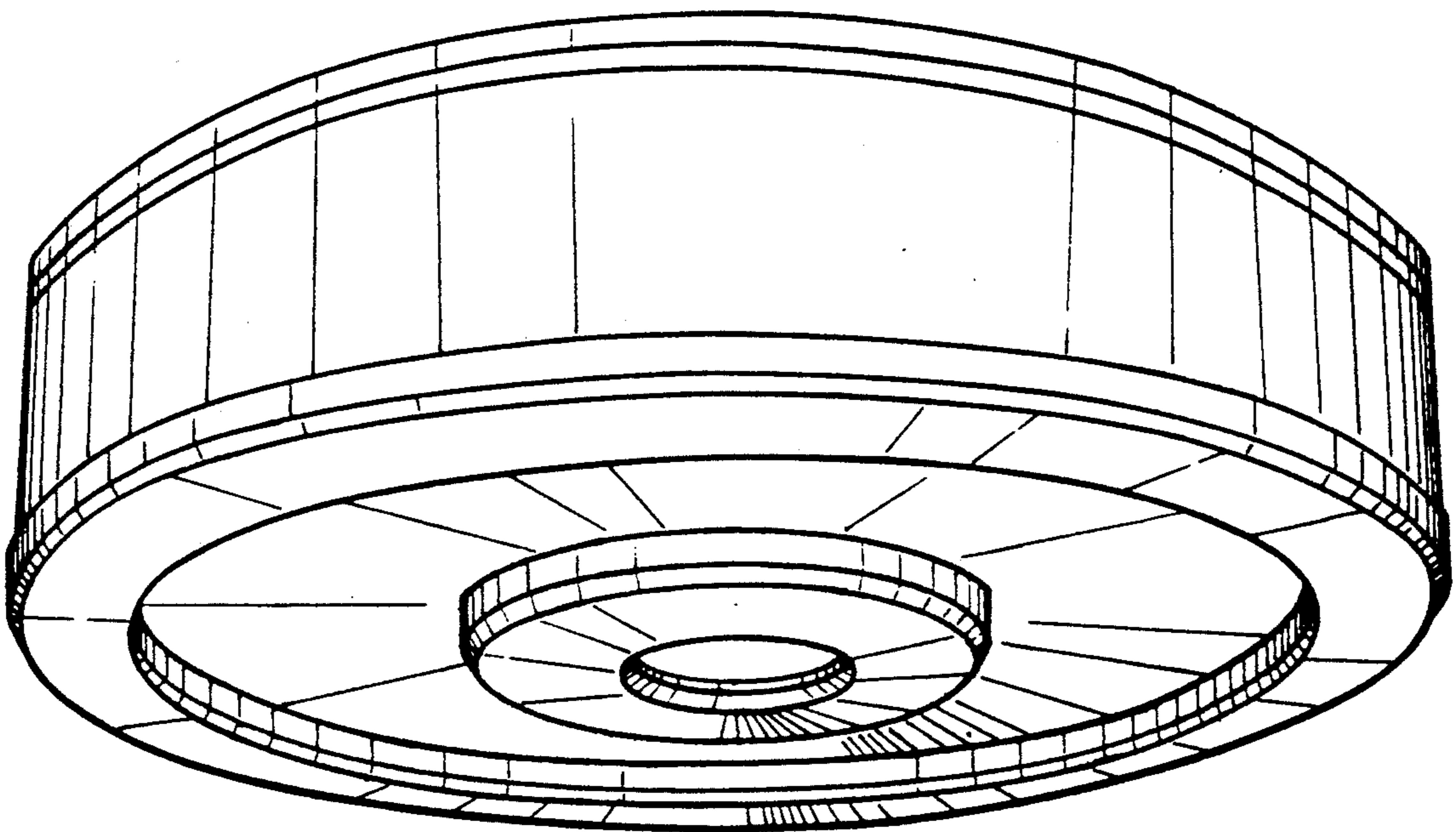


FIG. 5