



US00D337409S

United States Patent [19]

[11] Patent Number: **Des. 337,409**

Maple et al.

[45] Date of Patent: **** Jul. 13, 1993**

[54] **HANDLE AND LEG PORTION OF THE LAWN CART**

[75] Inventors: **Wade A. F. Maple, Wooster; Stanley A. Mathey, Orrville, both of Ohio**

[73] Assignee: **Rubbermaid Incorporated, Wooster, Ohio**

[**] Term: **14 Years**

[21] Appl. No.: **729,406**

[22] Filed: **Jul. 12, 1991**

[52] U.S. Cl. **D34/27; D34/16**

[58] Field of Search **D34/12, 16, 24, 18, D34/27; 280/47.26, 47.31, 653, 47.23**

[56] **References Cited**

U.S. PATENT DOCUMENTS

D. 175,069	7/1955	Gandola	D14/3
D. 311,621	10/1990	Fuller	D34/18
D. 318,165	7/1991	Ayres	D34/26
D. 318,551	7/1991	Ayres	D34/24
3,479,048	11/1969	Carlson	280/47.23
3,950,004	4/1976	Olsson	280/47.18
4,335,897	6/1982	Muller	280/47.18
4,341,393	7/1982	Gordon et al.	280/47.26
4,635,956	1/1987	Morrissette	280/652

OTHER PUBLICATIONS

Pp. 7 and 10, Carts, Ames Lawn and Garden Tools, Box

1774, Parkersburg, West Virginia 26101. Publication date May, 1987.

Price List, Cart, Contico Manufacturing Company, 1101 Warson Road, St. Louis, Missouri 63132. Publication date Mar. 1, 1985.

Sell Sheet, Carts, Contico Manufacturing Company, 1101 Warson Road, St. Louis, Missouri 63132. Publication date Aug., 1983.

Pp. 3, 4 and 7, Carts, Kelly Manufacturing Co., P.O. Box 1317, Houston, Texas 77001. Publication date 1984.

Primary Examiner—**Kay H. Chin**

Attorney, Agent, or Firm—**Richard B. O'Planick; Lisa B. Riedesel**

[57] **CLAIM**

The ornamental design for a handle and leg portion of the lawn cart, as shown and described.

DESCRIPTION

FIG. 1 is a left top front perspective view of a handle and leg portion of the lawn cart embodying our new design;

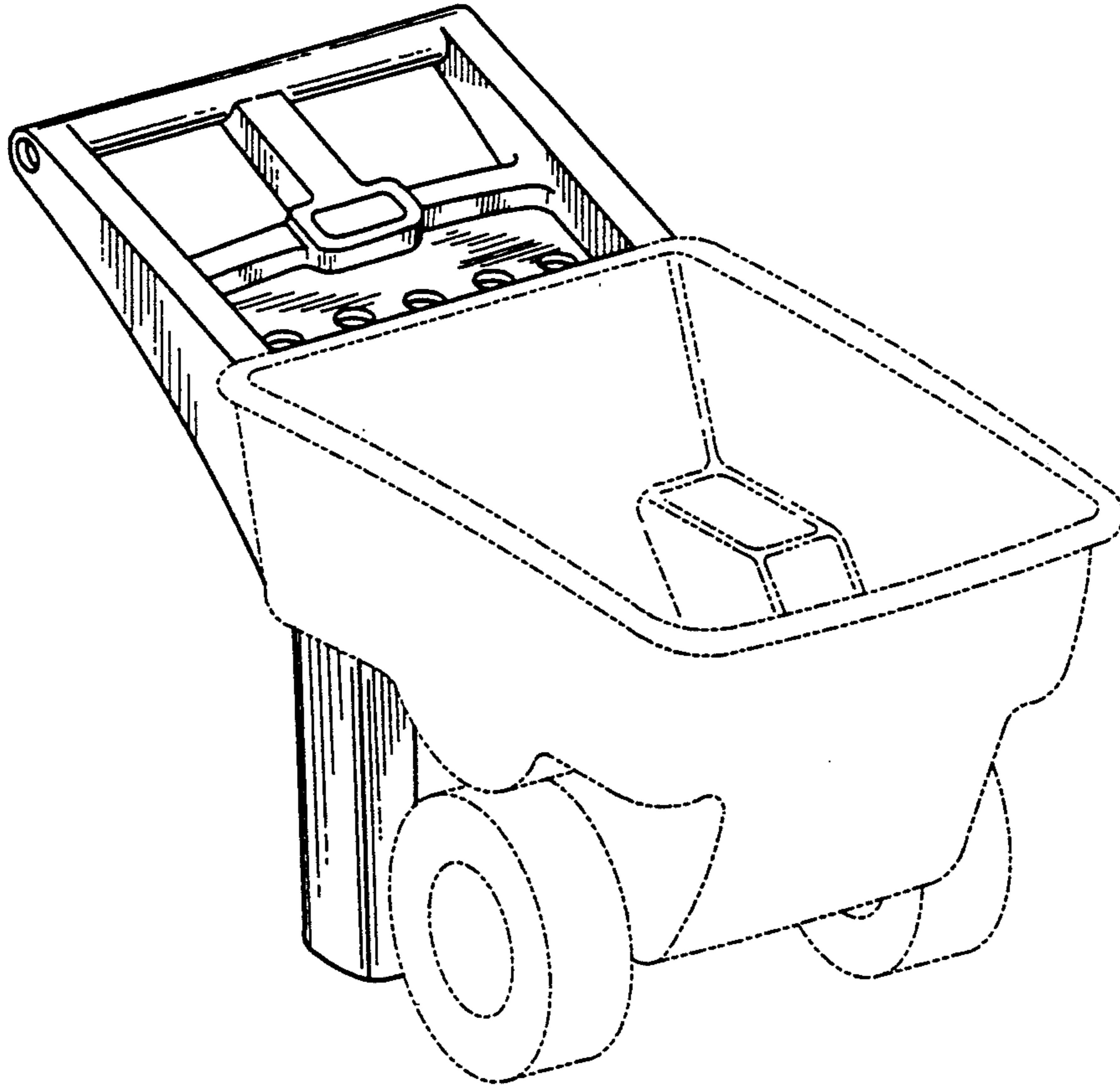
FIG. 2 is a top plan view thereof;

FIG. 3 is a bottom plan view thereof;

FIG. 4 is a side elevational view thereof; the opposite side being a mirror image;

FIG. 5 is a front elevational view thereof; and,

FIG. 6 is a rear elevational view thereof.



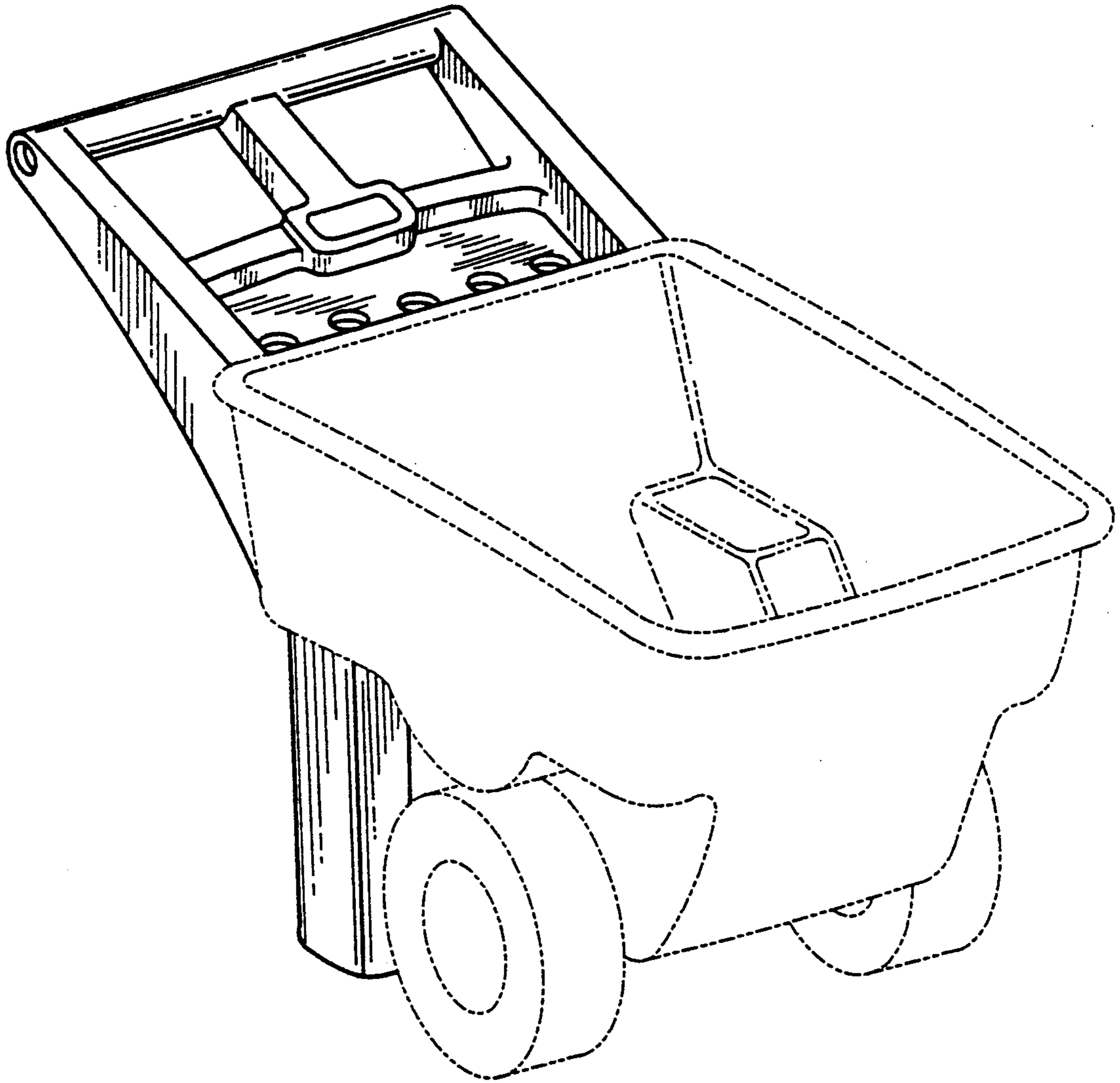


FIG. 1

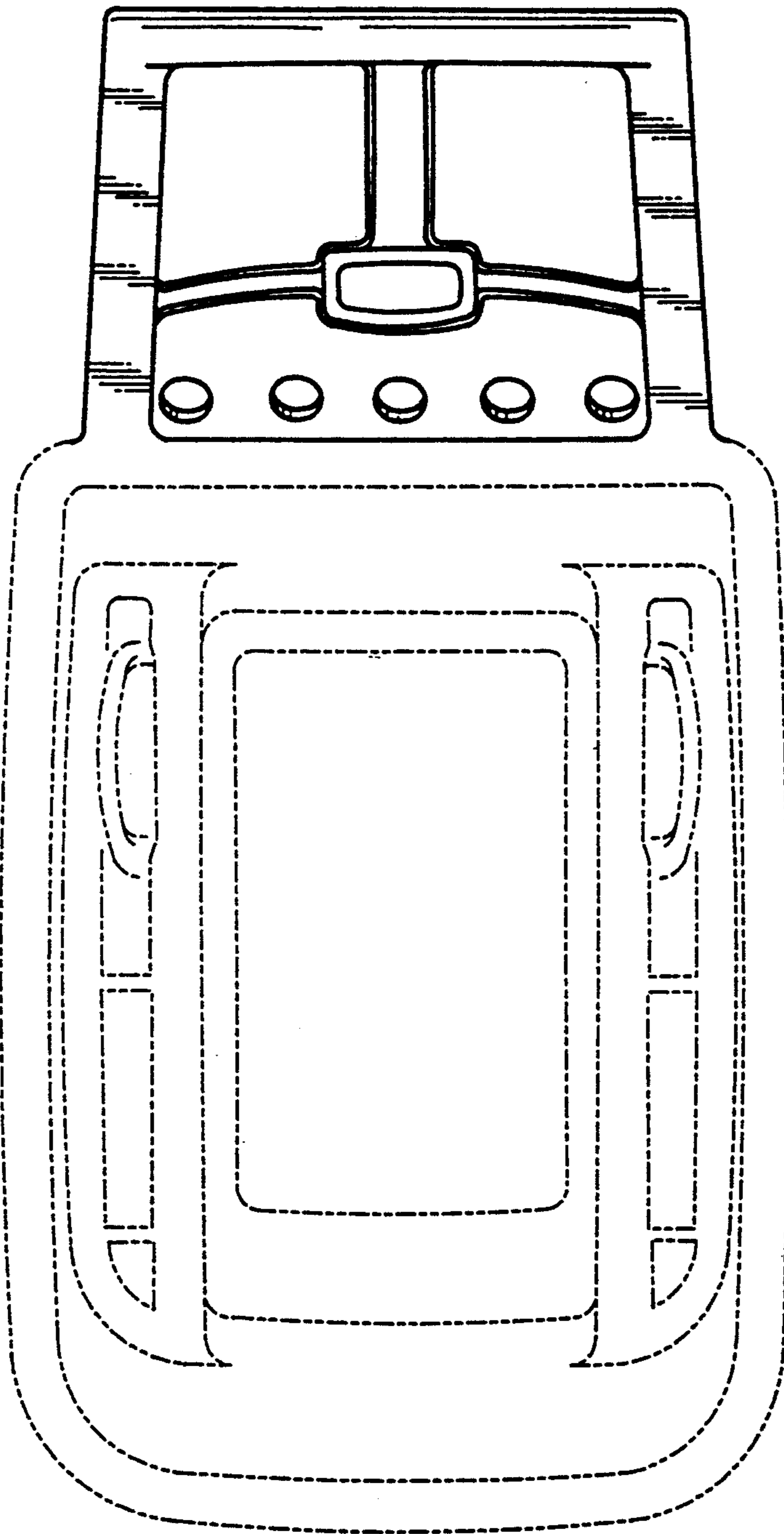


FIG. 2

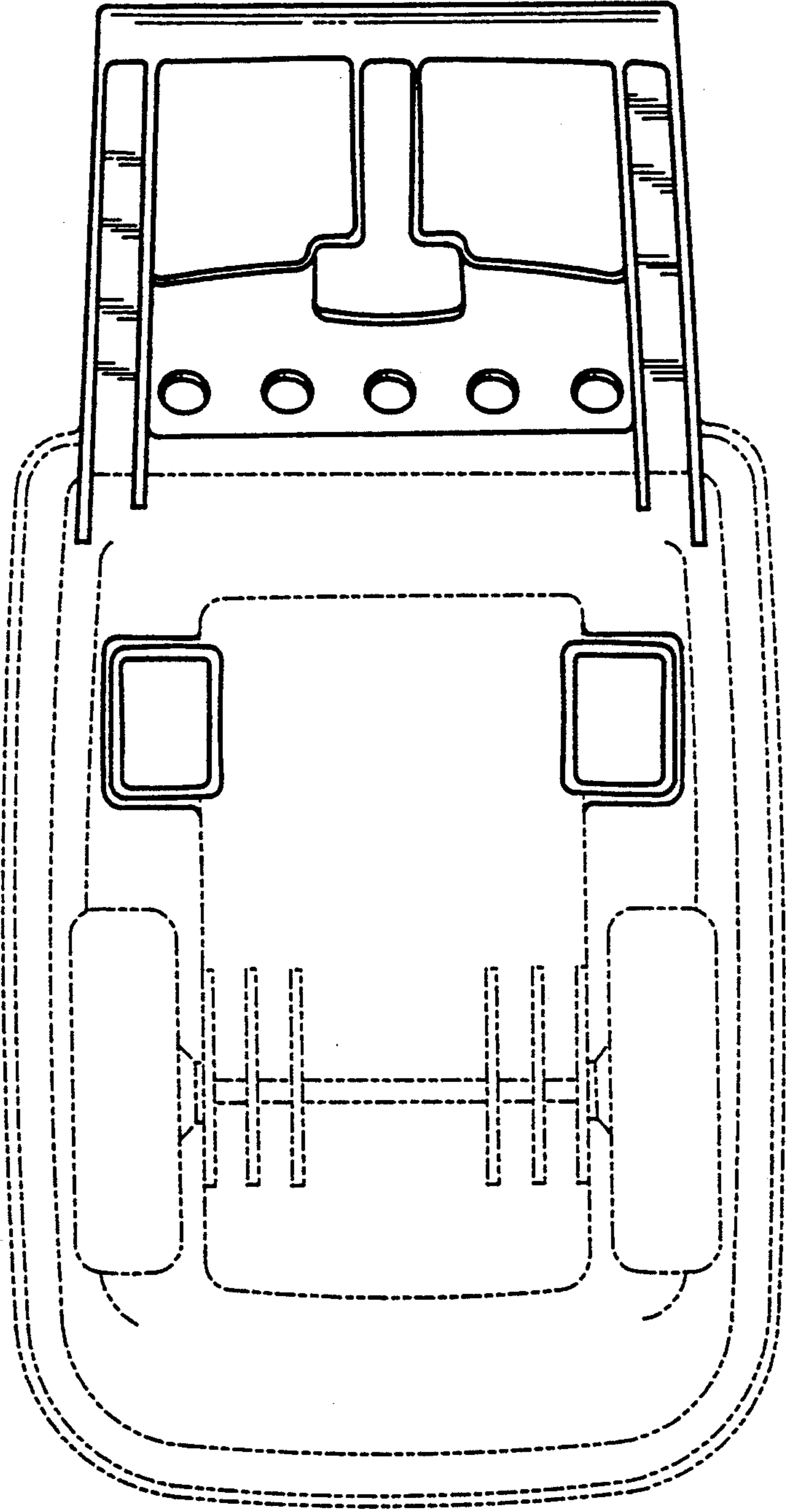


FIG. 3

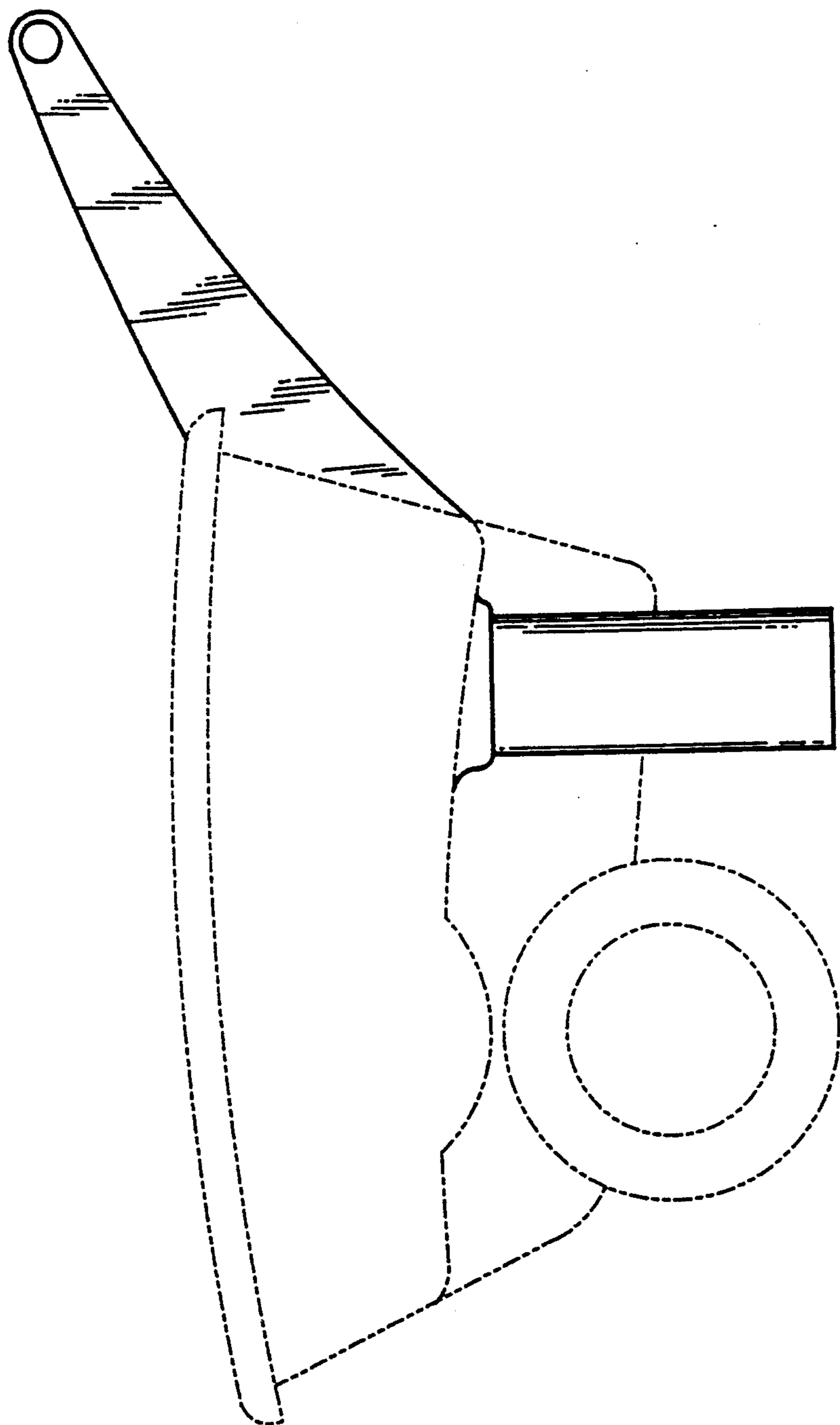


FIG. 4

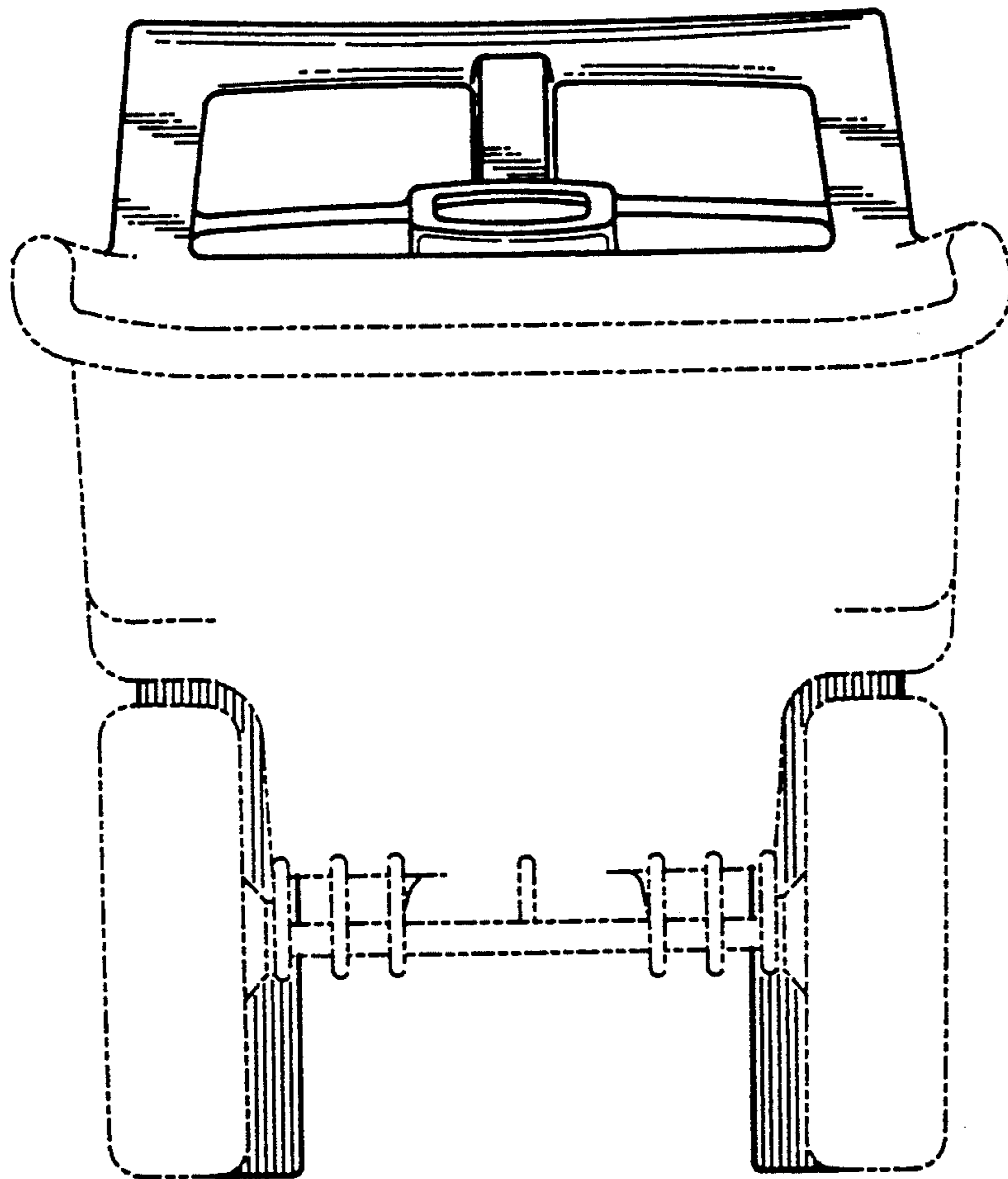


FIG. 5

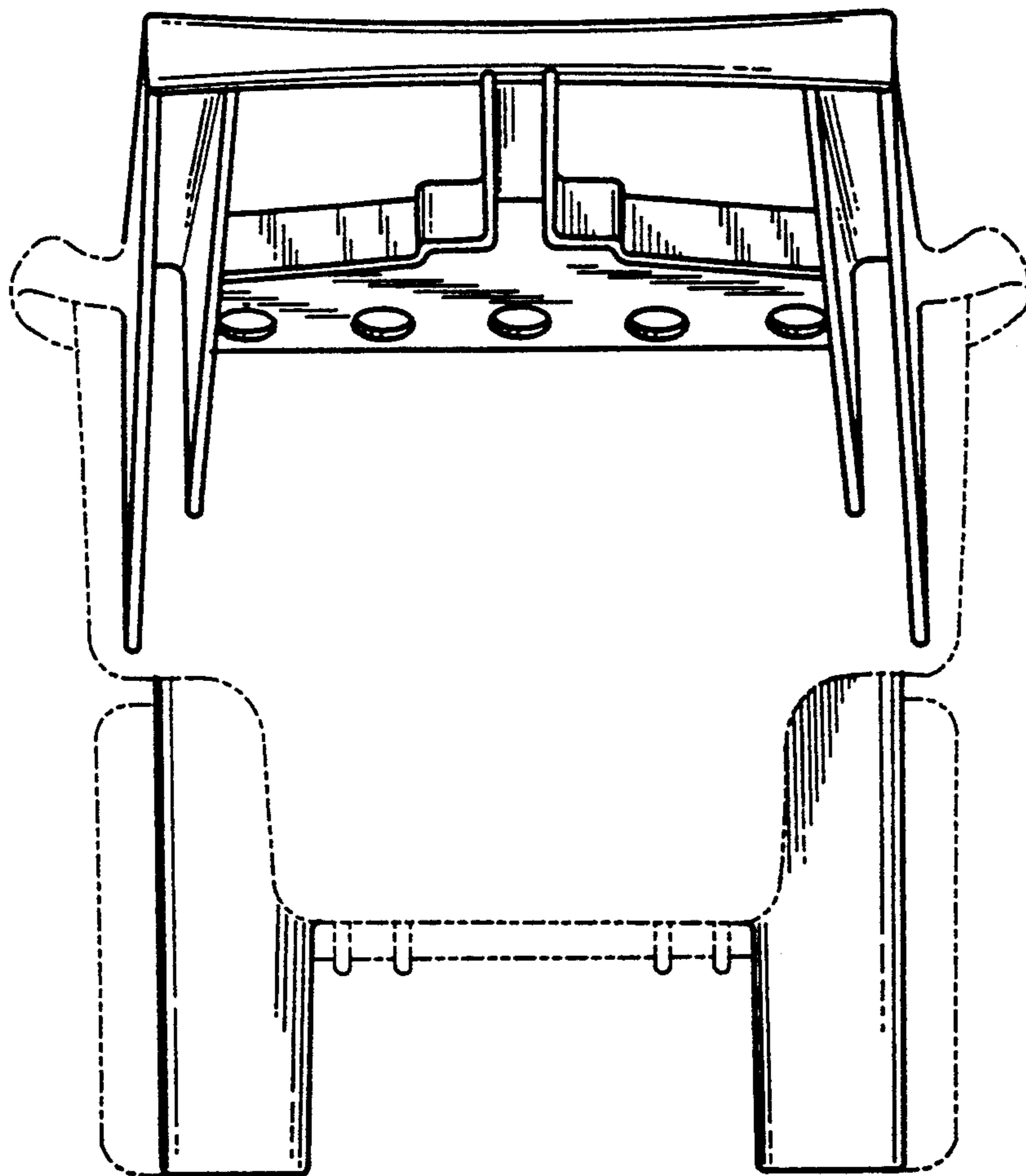


FIG. 6

UNITED STATES PATENT AND TRADEMARK OFFICE
CERTIFICATE OF CORRECTION

PATENT NO. : D-337,409

DATED : July 13, 1993

INVENTOR(S) : Wade A. F. Maple, Stanley A. Mathey

It is certified that error appears in the above-identified patent and that said Letters Patent is hereby corrected as shown below:

On the title page, Item [56] insert: "D327350 6/1992 Brown, et.al.
D34/16"

Signed and Sealed this

Twenty-first Day of September, 1993



Attest:

BRUCE LEHMAN

Attesting Officer

Commissioner of Patents and Trademarks