



US00D337408S

United States Patent [19]
Burd

[11] **Patent Number: Des. 337,408**

[45] **Date of Patent: ** Jul. 13, 1993**

[54] **GARDEN CART TRAY**

[56] **References Cited**

U.S. PATENT DOCUMENTS

D. 183,179 7/1958 Pasin D34/24

Primary Examiner—Kay H. Chin

Attorney, Agent, or Firm—Senniger, Powers, Leavitt & Roedel

[75] **Inventor: Wayne D. Burd, Fenton, Mo.**

[73] **Assignee: Koller Enterprises, Inc., Fenton, Mo.**

[57] **CLAIM**

[**] **Term: 14 Years**

The ornamental design for a garden cart tray, as shown and described.

[21] **Appl. No.: 776,458**

DESCRIPTION

[22] **Filed: Oct. 15, 1991**

FIG. 1 is a side elevation of a garden cart tray of my new invention, the appearance being the same from the opposite side;

[52] **U.S. Cl. D34/27; D34/16**

FIG. 2 is a front elevation of the garden cart tray;

[58] **Field of Search D34/12, 16, 24, 25,**

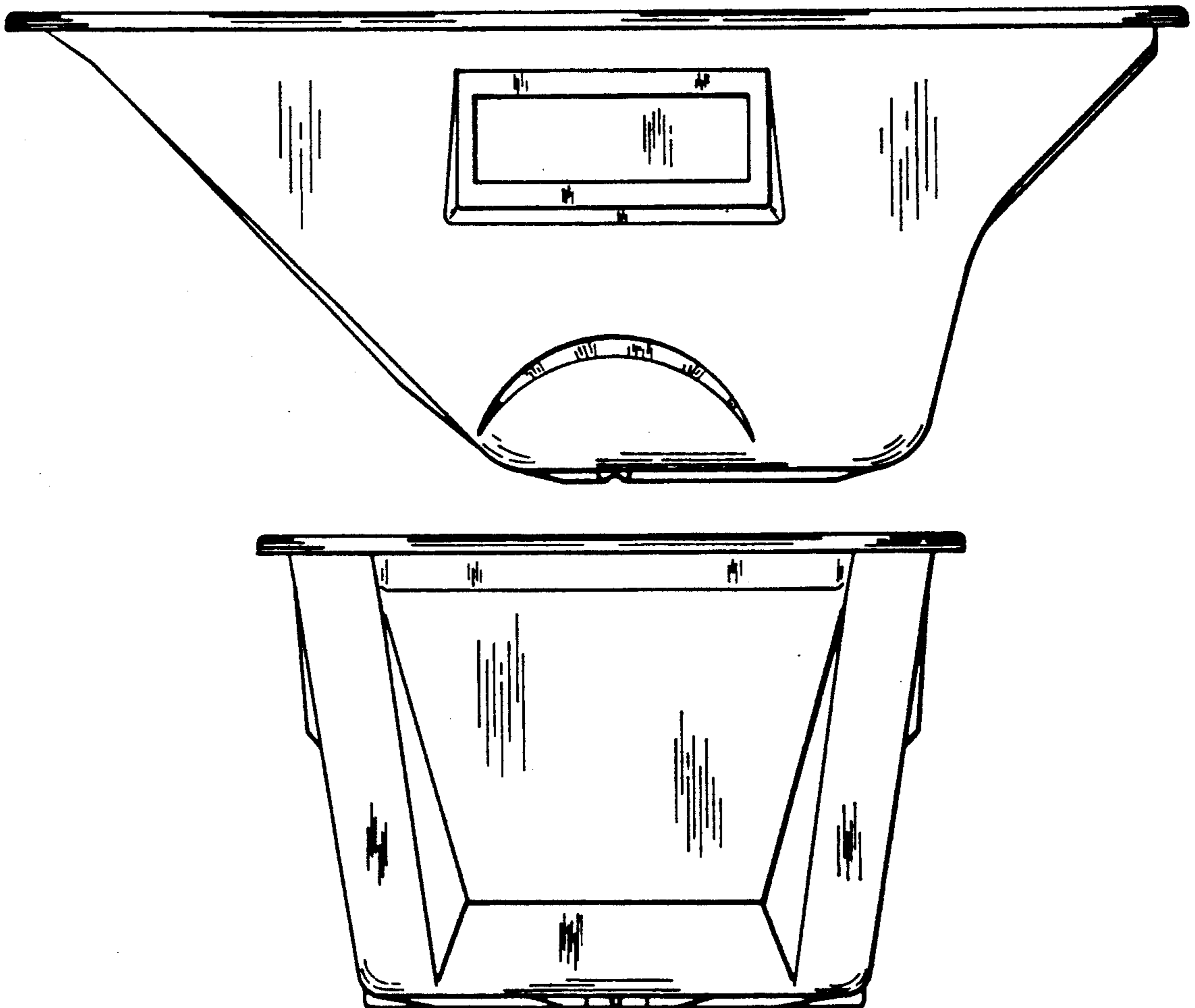
FIG. 3 is a rear elevation of the garden cart tray;

D34/26, 27; 280/47.23, 47.18, 47.26, 47.24,

FIG. 4 is a top plan of the garden cart tray; and,

47.34, 652

FIG. 5 is a bottom plan of the garden cart tray.



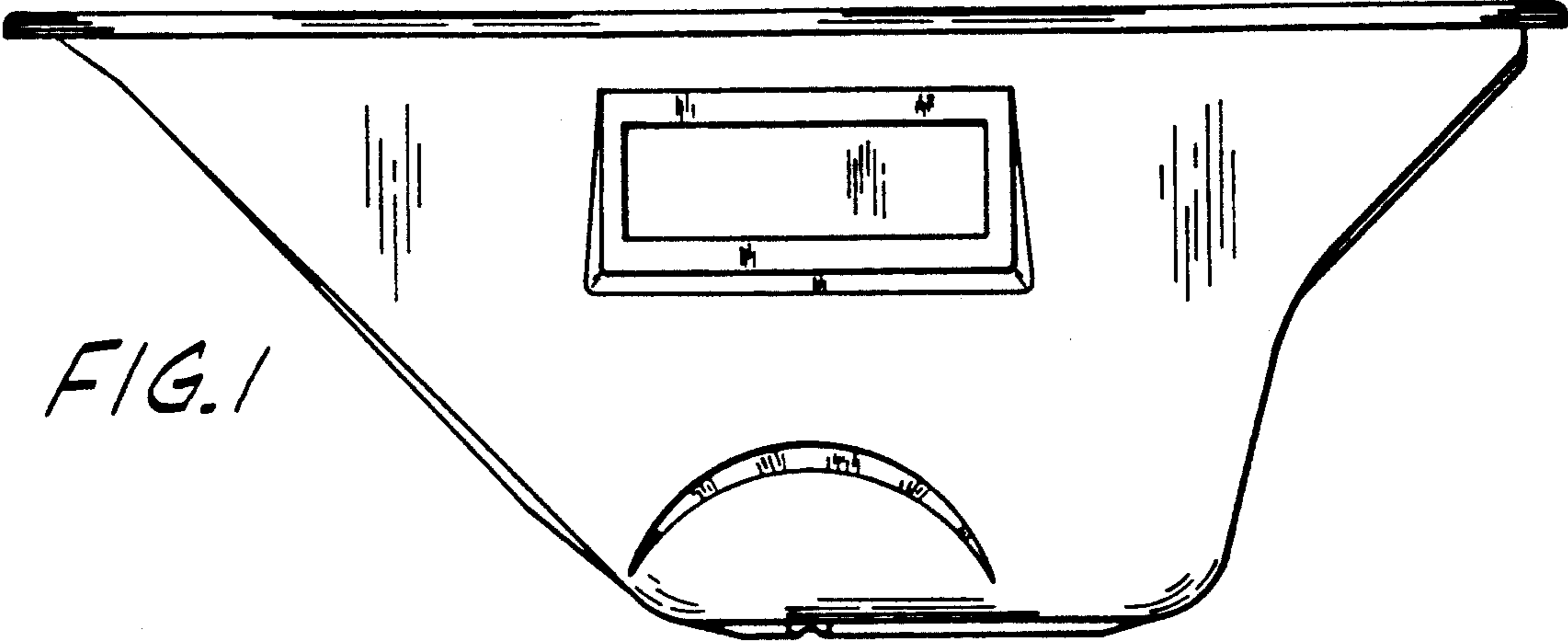


FIG. 1

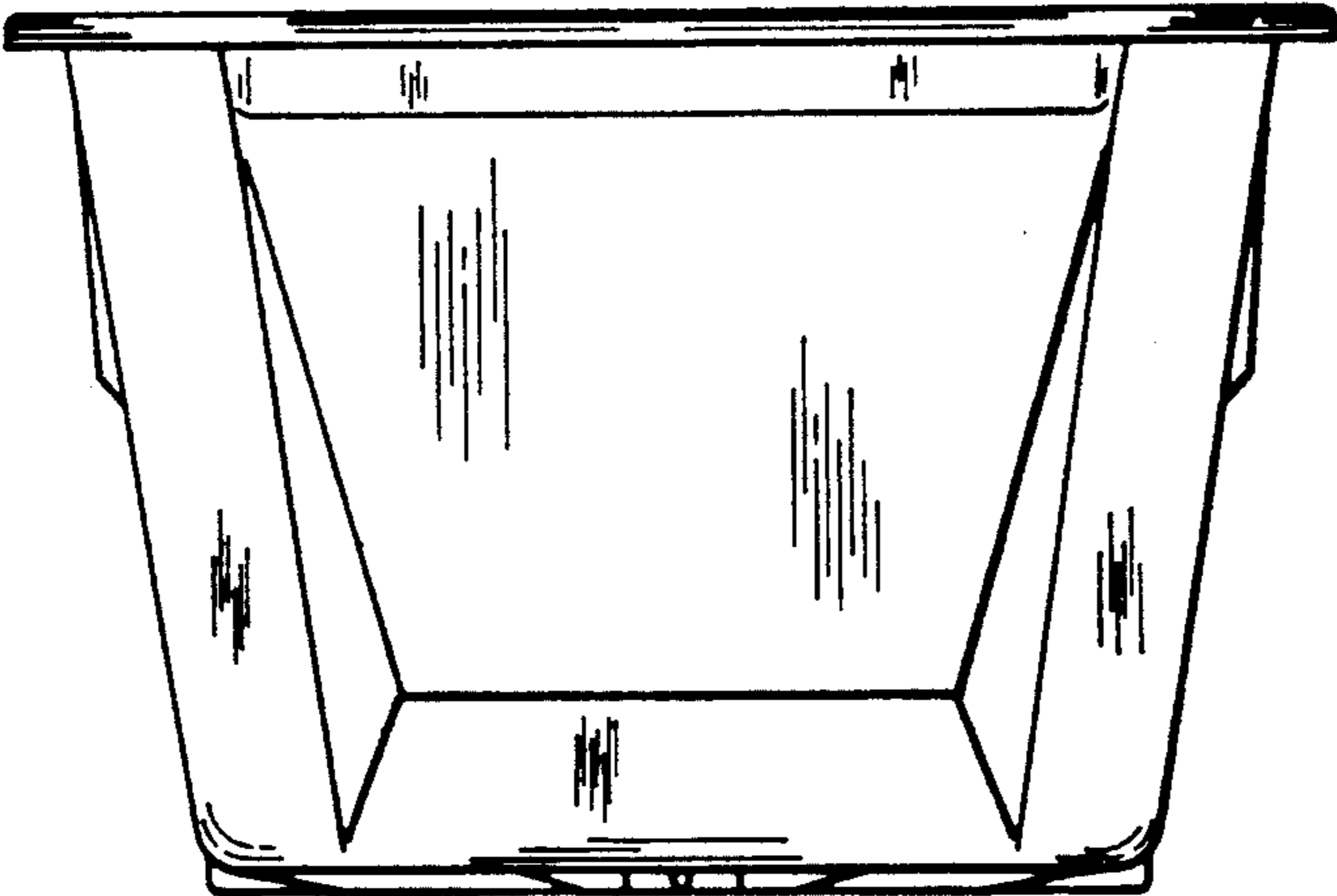


FIG. 2

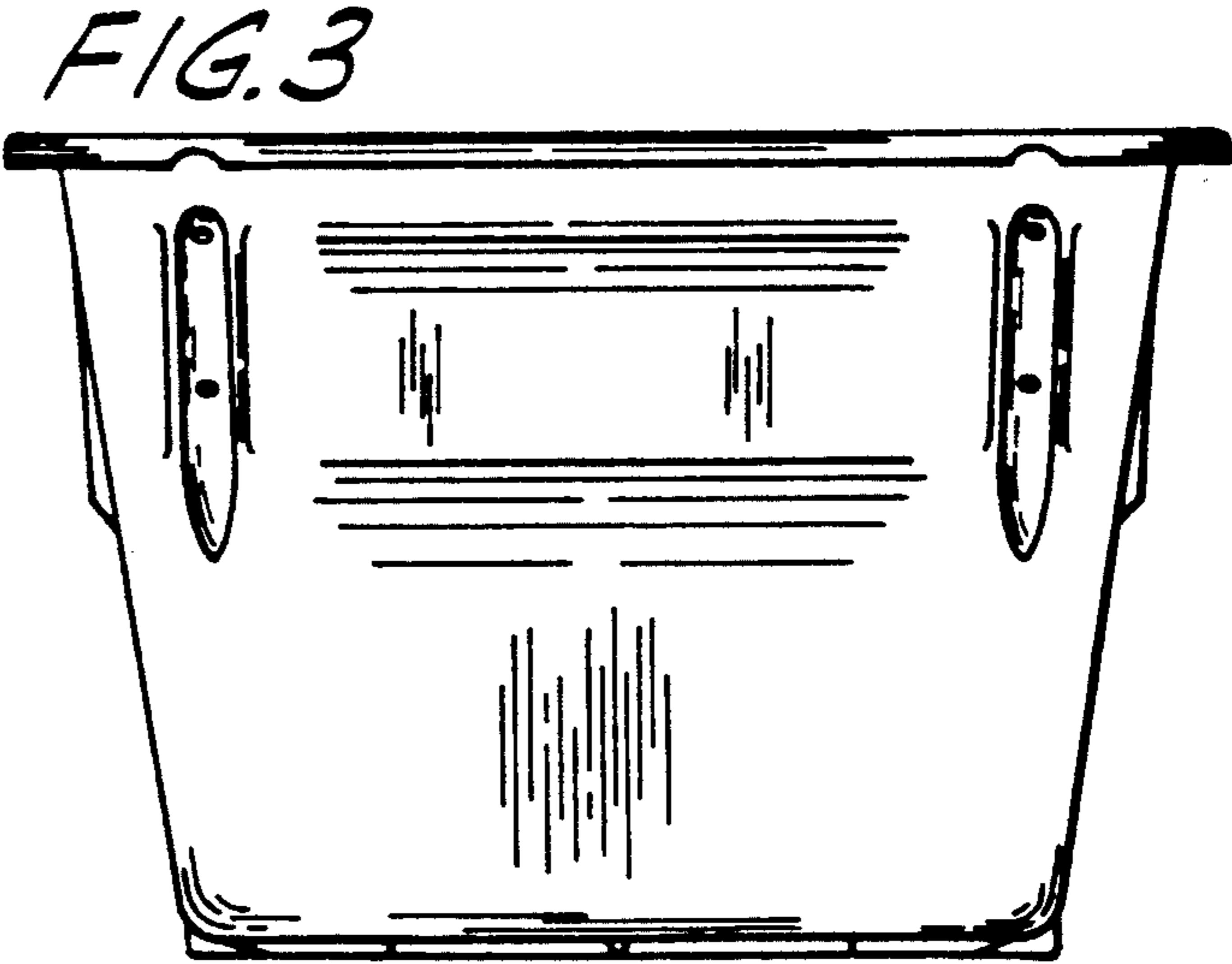


FIG. 3

FIG. 4

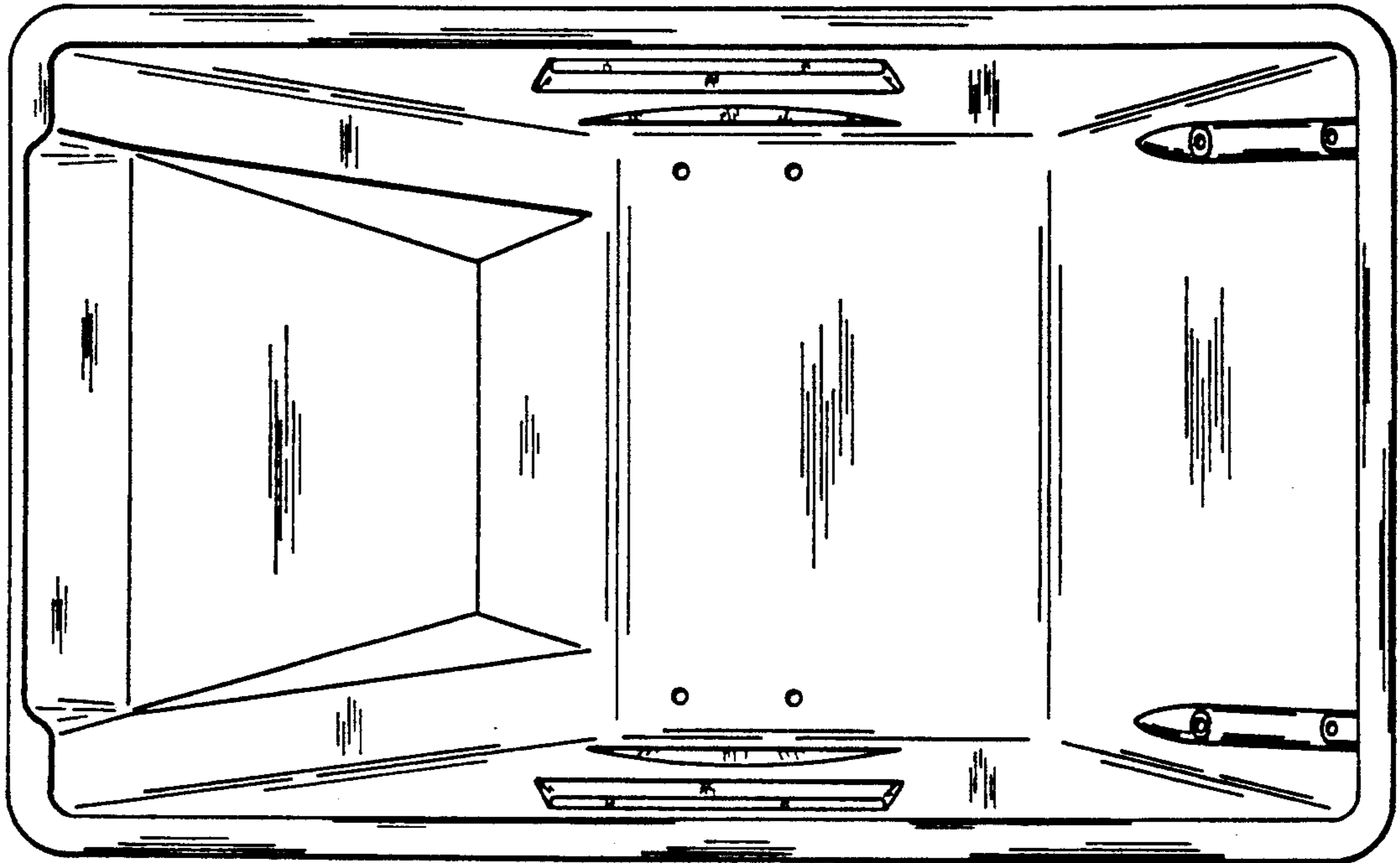


FIG. 5

