



US00D337401S

United States Patent [19]

[11] Patent Number: **Des. 337,401**

Maxwell

[45] Date of Patent: **** Jul. 13, 1993**

[54] A CONTAINER FOR WASTE MOTOR OIL

[76] Inventor: **Boyce A. Maxwell, 10527 Kirkvale Dr., Houston, Tex. 77089**

[**] Term: **14 Years**

[21] Appl. No.: **465,881**

[22] Filed: **Jan. 12, 1990**

[52] U.S. Cl. **D34/1; D34/7; D23/200**

[58] Field of Search **D34/1, 5, 6, 11; 220/DIG. 6, 908, 909; D99/28; 206/223; 141/331, 339, 332; D23/200, 202; 109/46**

[56] **References Cited**

U.S. PATENT DOCUMENTS

Re. 27,449	8/1972	Bartz	141/4
Re. 32,458	7/1987	DeLay, Jr.	220/86 R
2,769,516	11/1956	Hensley, Jr.	109/46
3,410,438	11/1968	Bartz	220/1
4,098,398	7/1978	Meyers	206/223
4,114,644	9/1978	Piper	220/1 C
4,274,645	6/1981	Ferguson et al.	280/47.26
4,296,838	10/1981	Cohen	184/106
4,301,841	11/1981	Sandow	184/106
4,314,654	2/1982	Gaubert	222/83
4,355,737	10/1982	Pongrass et al.	222/81

4,403,692	9/1983	Pollacco	206/223
4,488,584	12/1984	Hestehave et al.	141/339
4,533,042	8/1985	Pollacco	206/223
4,557,395	12/1985	DeLay	220/86 R
4,632,268	12/1986	Melzi et al.	220/1 C
4,640,431	2/1987	Harrison	220/1 C
4,673,081	6/1987	Habig et al.	206/223
4,697,670	10/1987	Arruda	184/1.5
4,702,290	10/1987	Perez	141/332
4,706,719	11/1987	Eversdijk	141/98
4,756,411	7/1988	Garland	206/223

Primary Examiner—Kay H. Chin
Attorney, Agent, or Firm—Vaden, Eickenroht, Thompson, Boulware & Feather

[57] CLAIM

The design for a container for waste motor oil, as shown and described.

DESCRIPTION

FIG. 1 top and left side perspective view of a container waste motor oil showing my new design; FIG. 2 is a left side elevational view thereof; FIG. 3 is a front elevational view thereof; FIG. 4 is a top plan view thereof; FIG. 5 is a right side elevational view thereof; FIG. 6 is a rear elevational view thereof; and, FIG. 7 is a bottom plan view thereof.

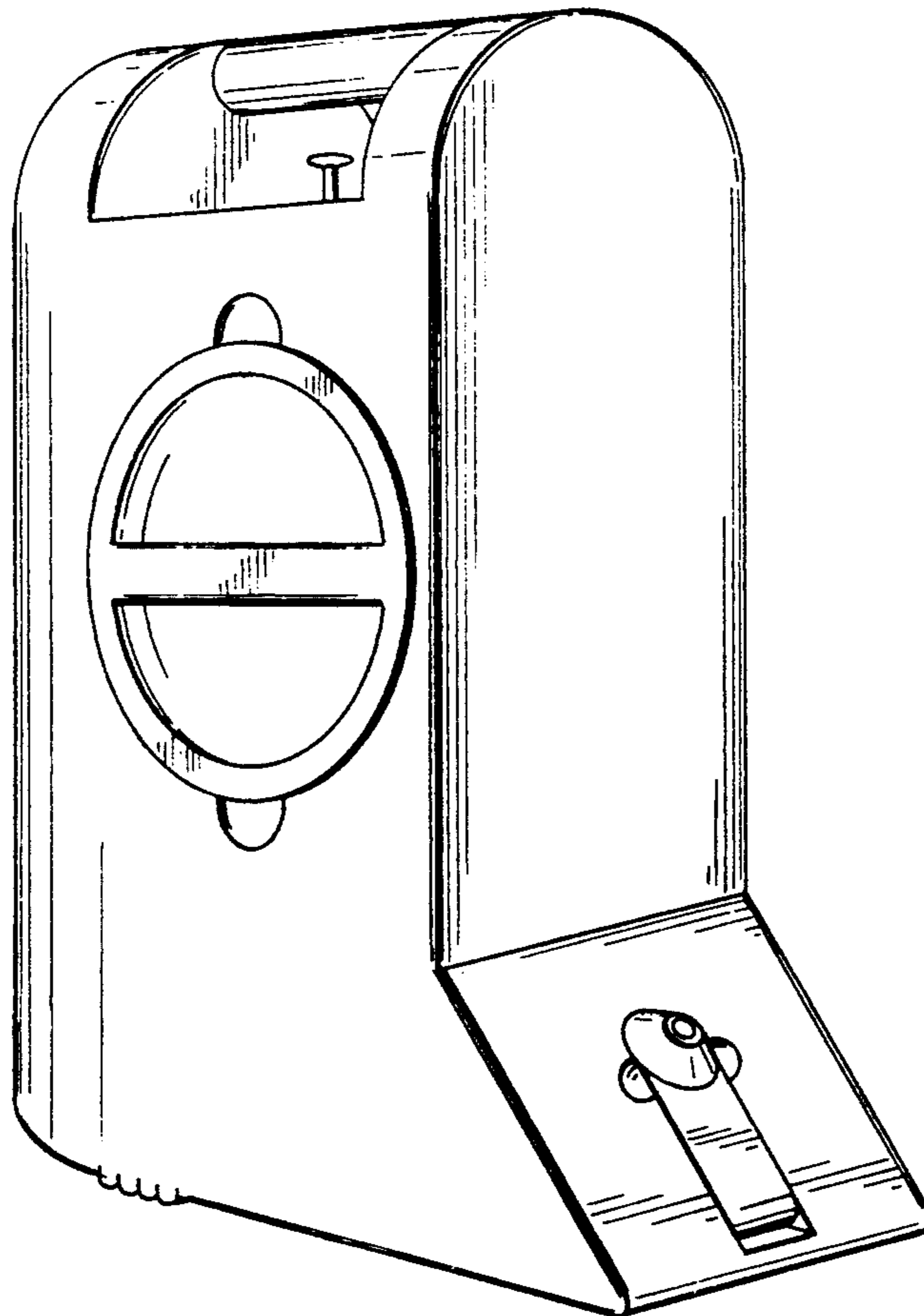


FIG. 1

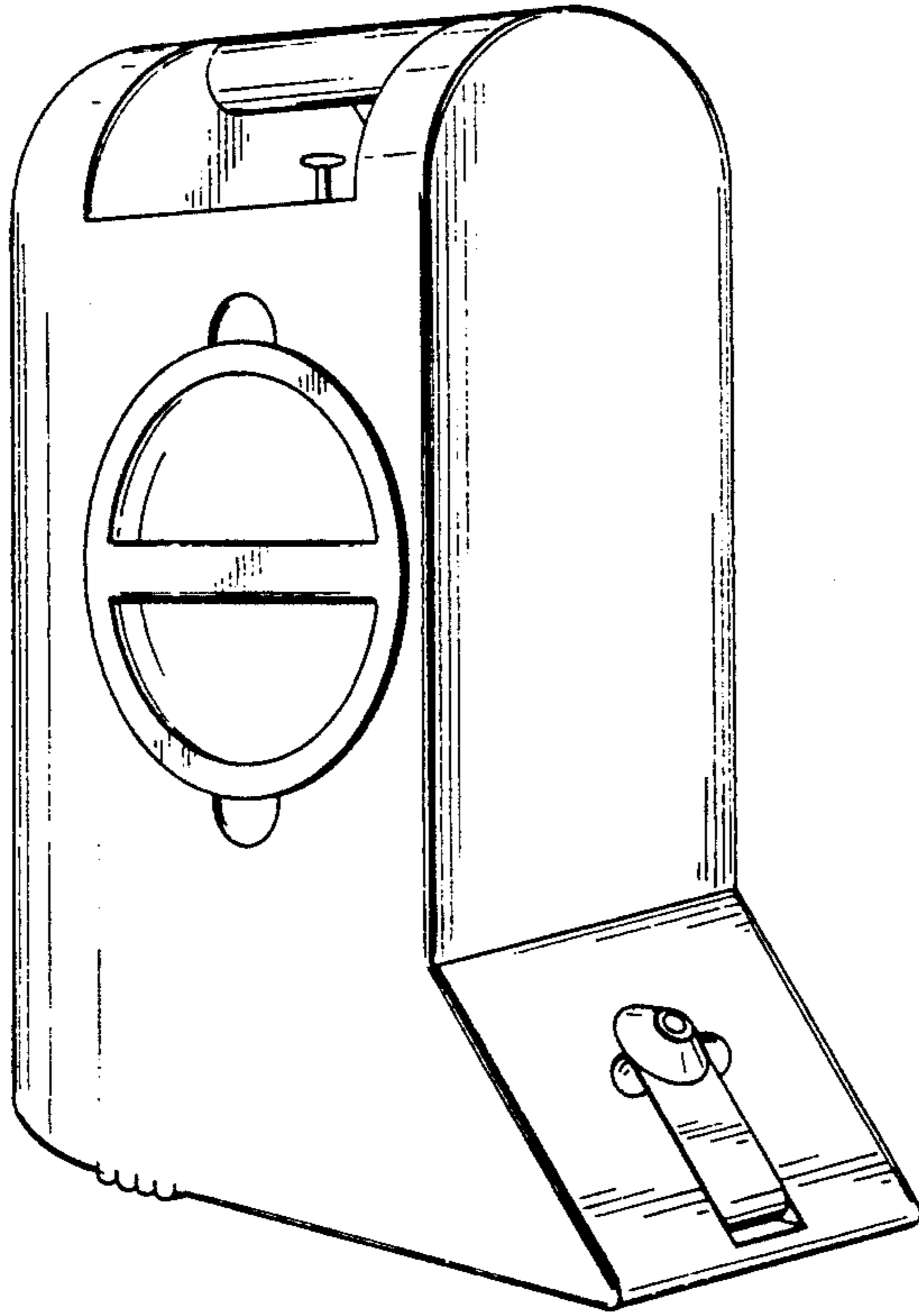


FIG. 4

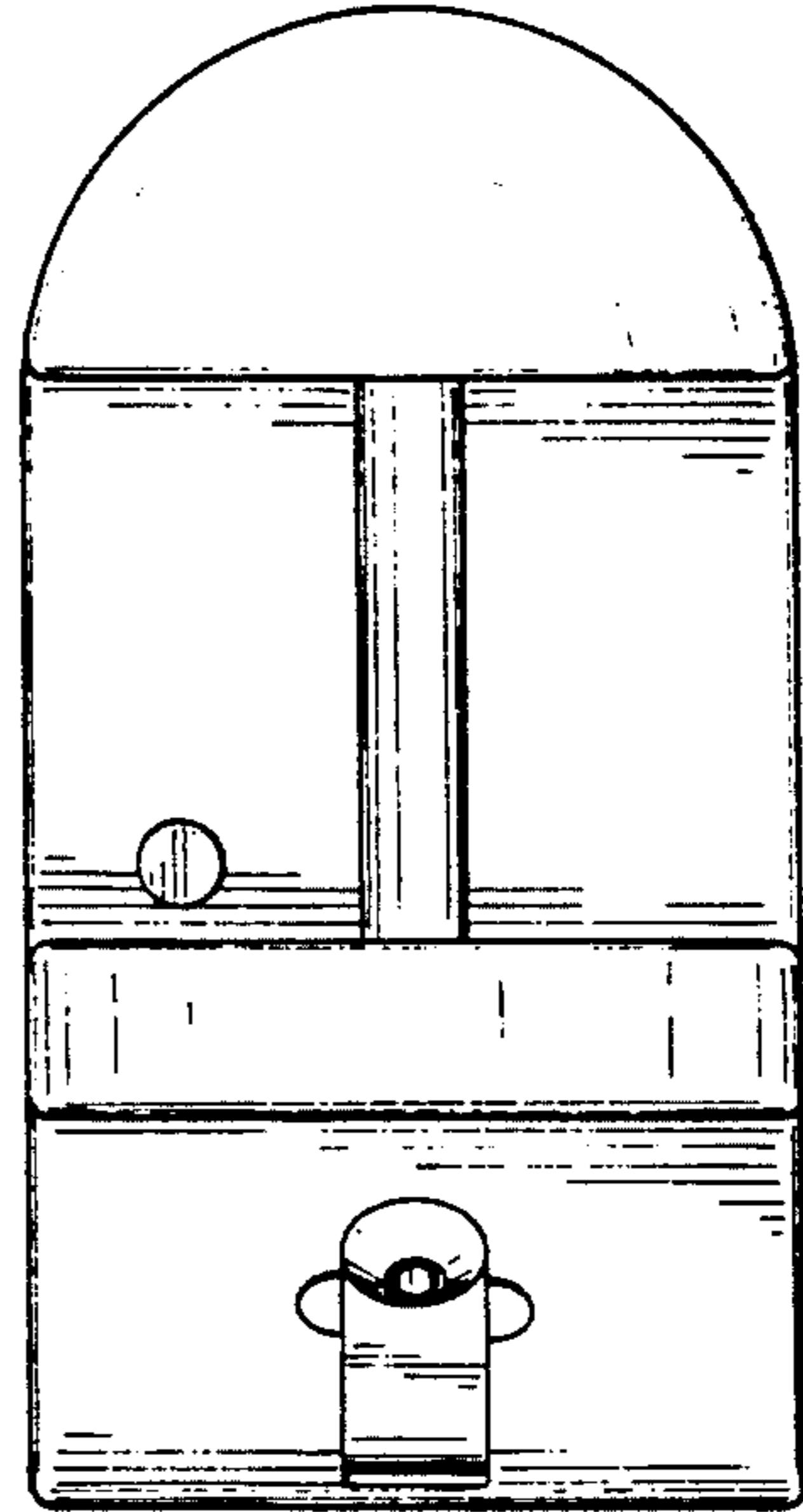


FIG. 2

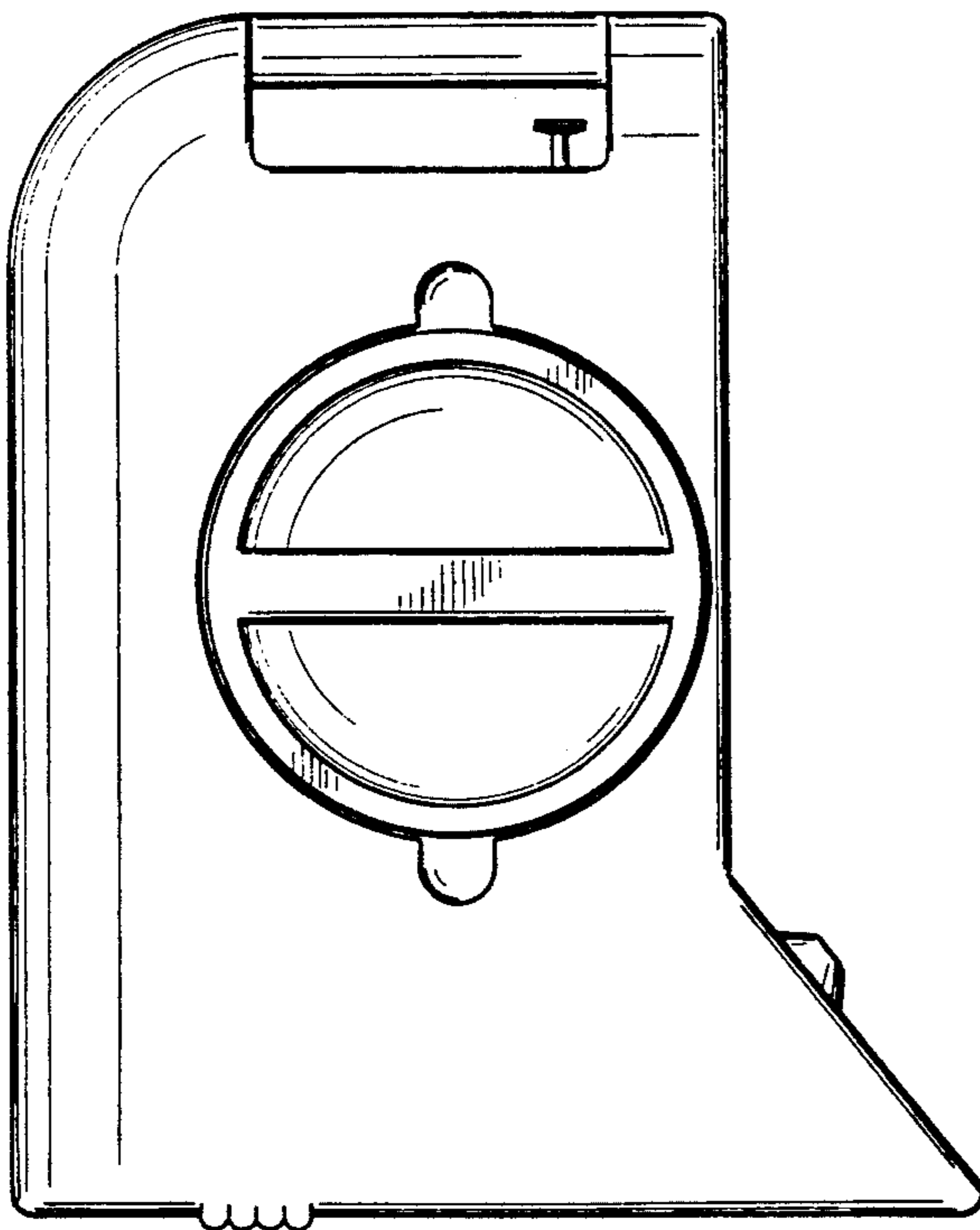


FIG. 3

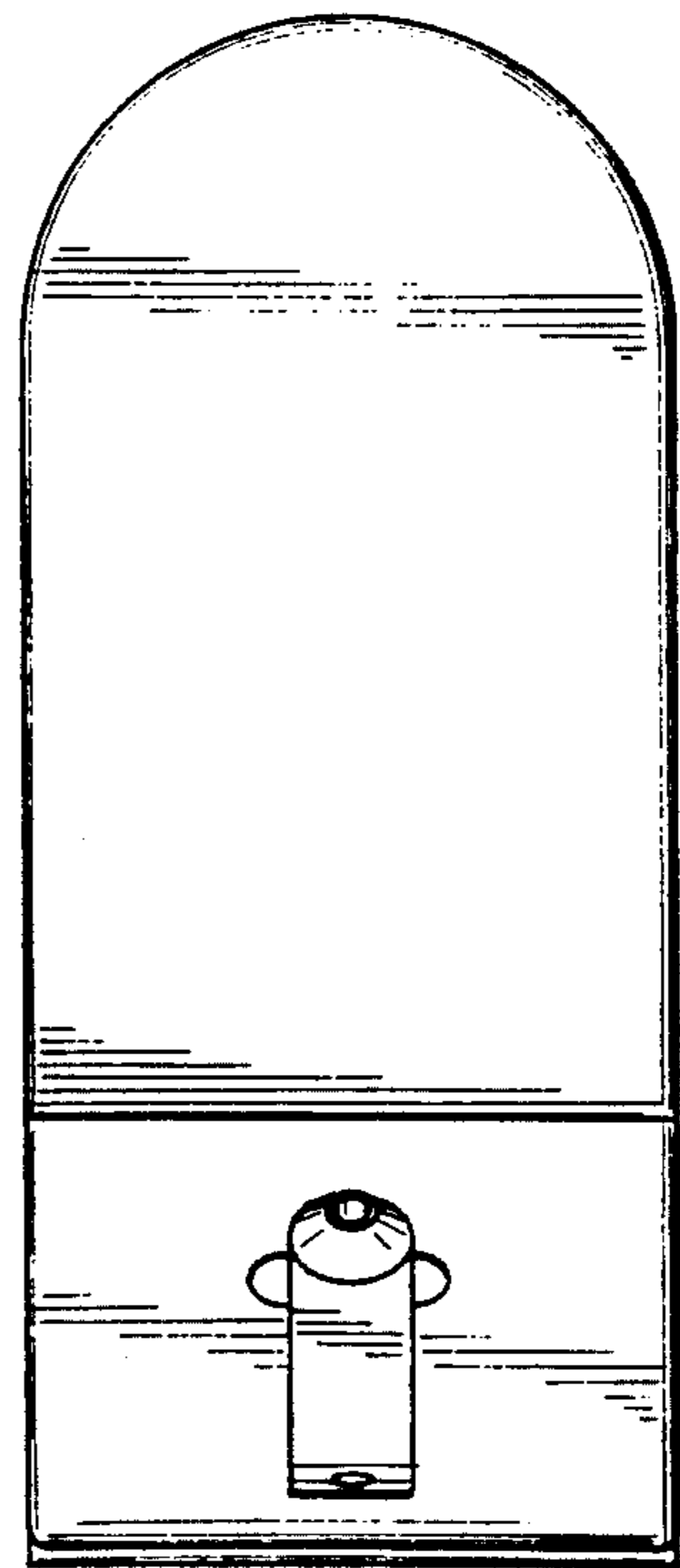


FIG. 5

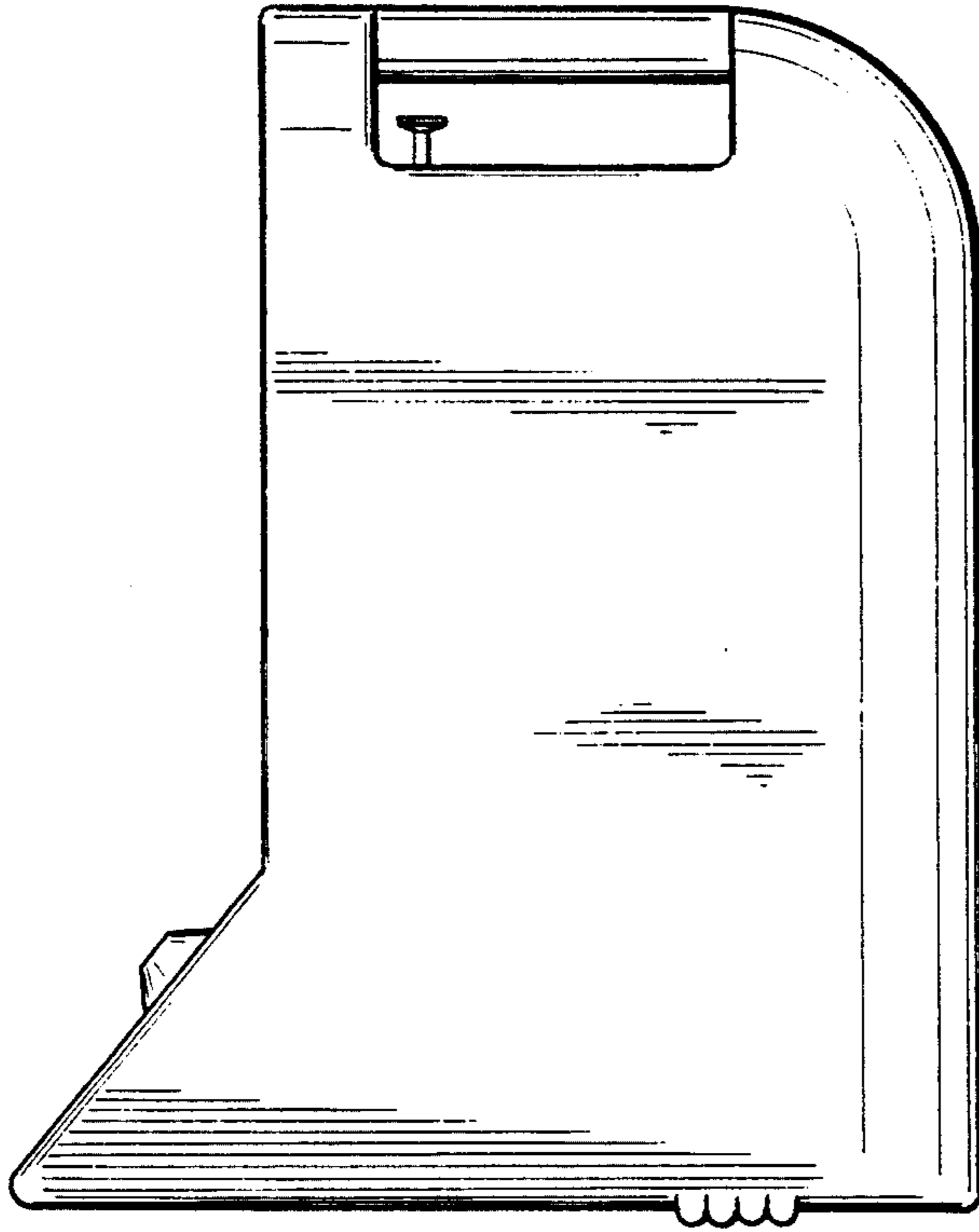


FIG. 6

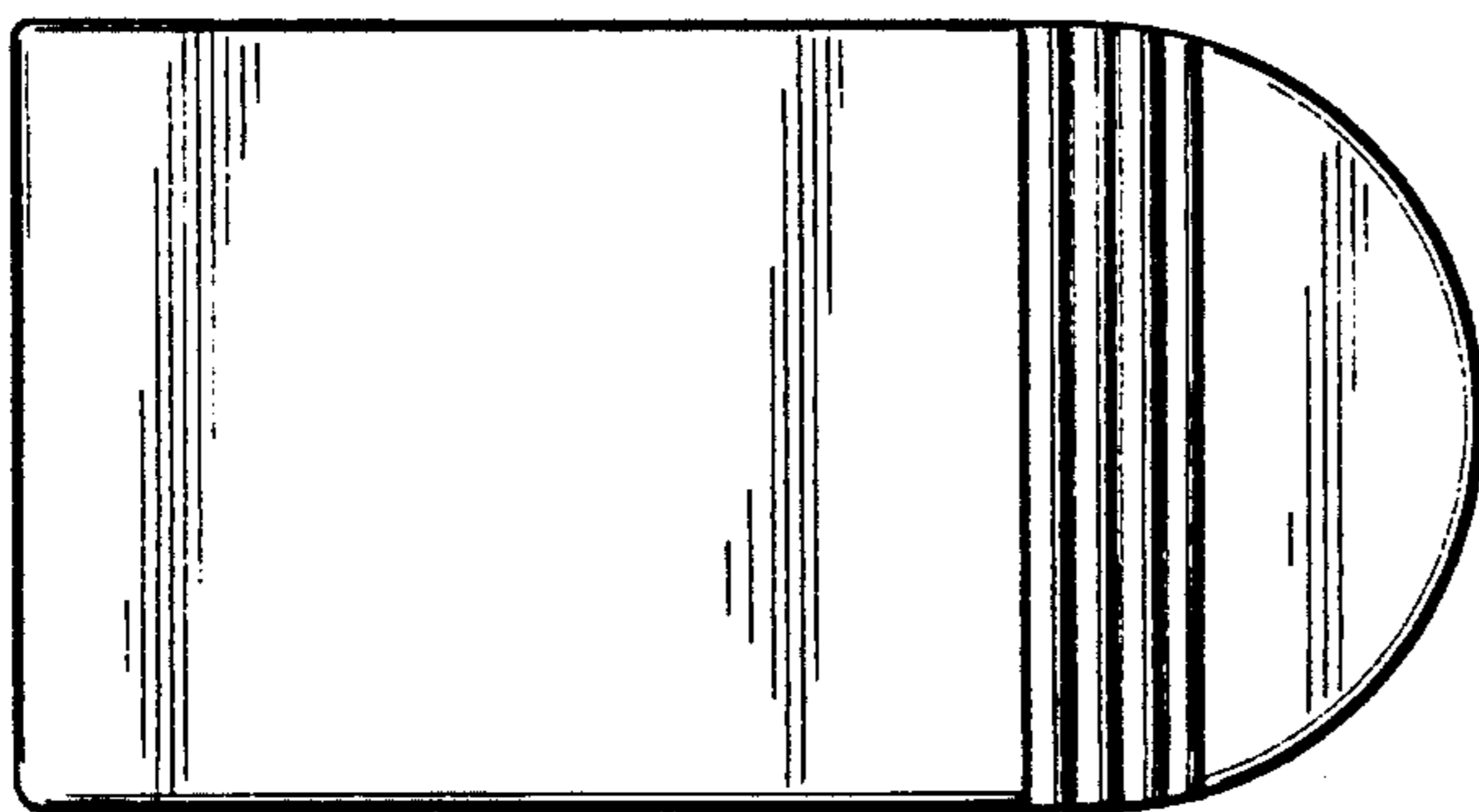
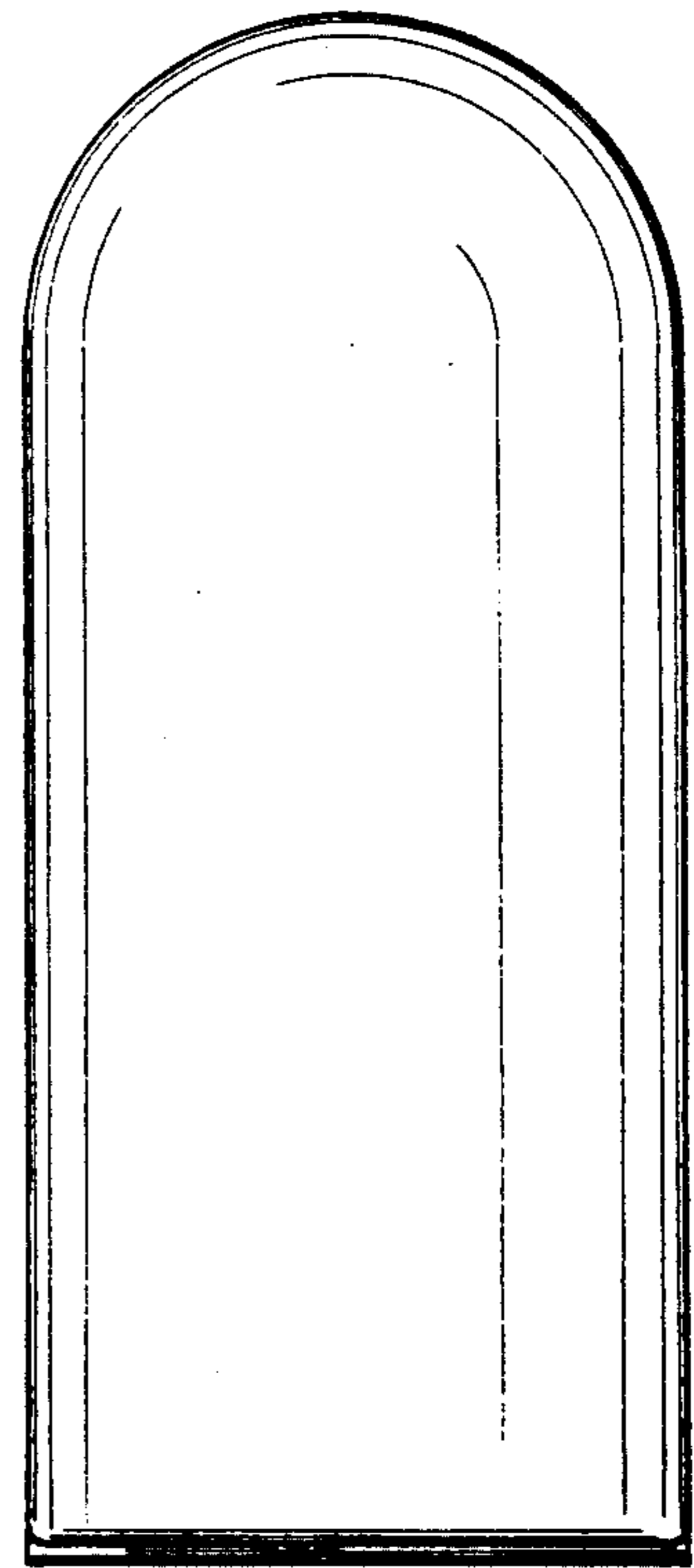


FIG. 7