



US00D337400S

United States Patent [19]

[11] Patent Number: **Des. 337,400**

Bart

[45] Date of Patent: **** Jul. 13, 1993**

[54] **CORDLESS HAND-HELD PORTABLE VACUUM CLEANER**

D. 303,025 8/1989 Yamamoto et al. D32/18
D. 314,651 2/1991 Ross, Jr. et al. D32/18

[76] Inventor: **Philip D. Bart, 277 Woodlake Cir., Deerfield Beach, Fla. 33442**

Primary Examiner—A. Hugo Word
Assistant Examiner—Ruth McInroy
Attorney, Agent, or Firm—Malin, Haley, DiMaggio and Crosby

[**] Term: **14 Years**

[21] Appl. No.: **792,741**

[57] CLAIM

[22] Filed: **Nov. 15, 1991**

The ornamental design for a cordless hand-held portable vacuum cleaner, as shown and described.

[52] U.S. Cl. **D32/18**

[58] Field of Search **D32/17-18; 15/344; D21/128, 137, 80; D12/88**

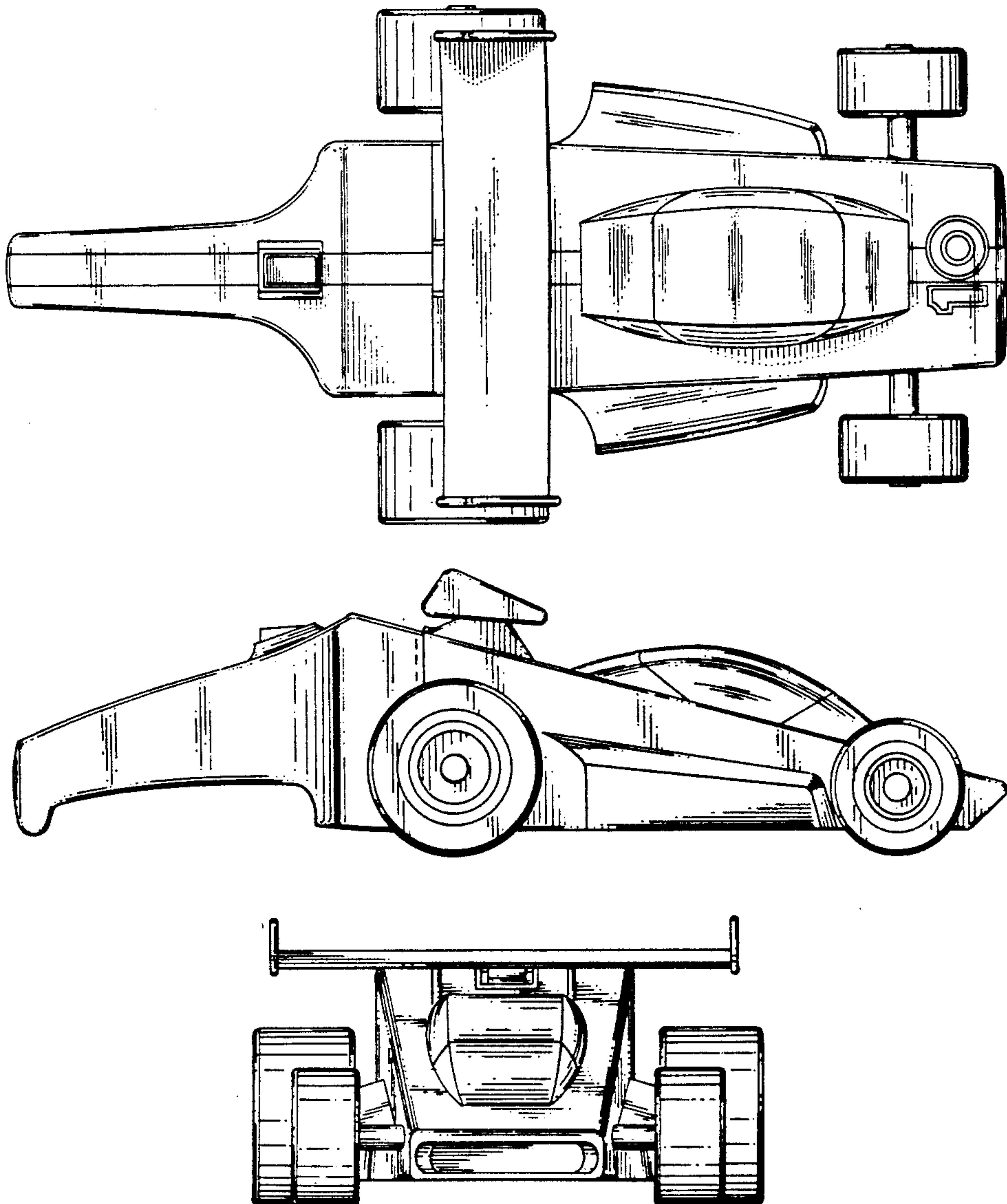
DESCRIPTION

[56] References Cited

U.S. PATENT DOCUMENTS

D. 260,913 9/1981 Chapman D12/88
D. 274,381 6/1984 Chiu D32/18

FIG. 1 is a top plan view of a cordless hand-held portable vacuum cleaner showing my new design; FIG. 2 is a side elevational view thereof; FIG. 3 is a front elevational view thereof; FIG. 4 is a rear elevational view thereof; and, FIG. 5 is a bottom plan view thereof.



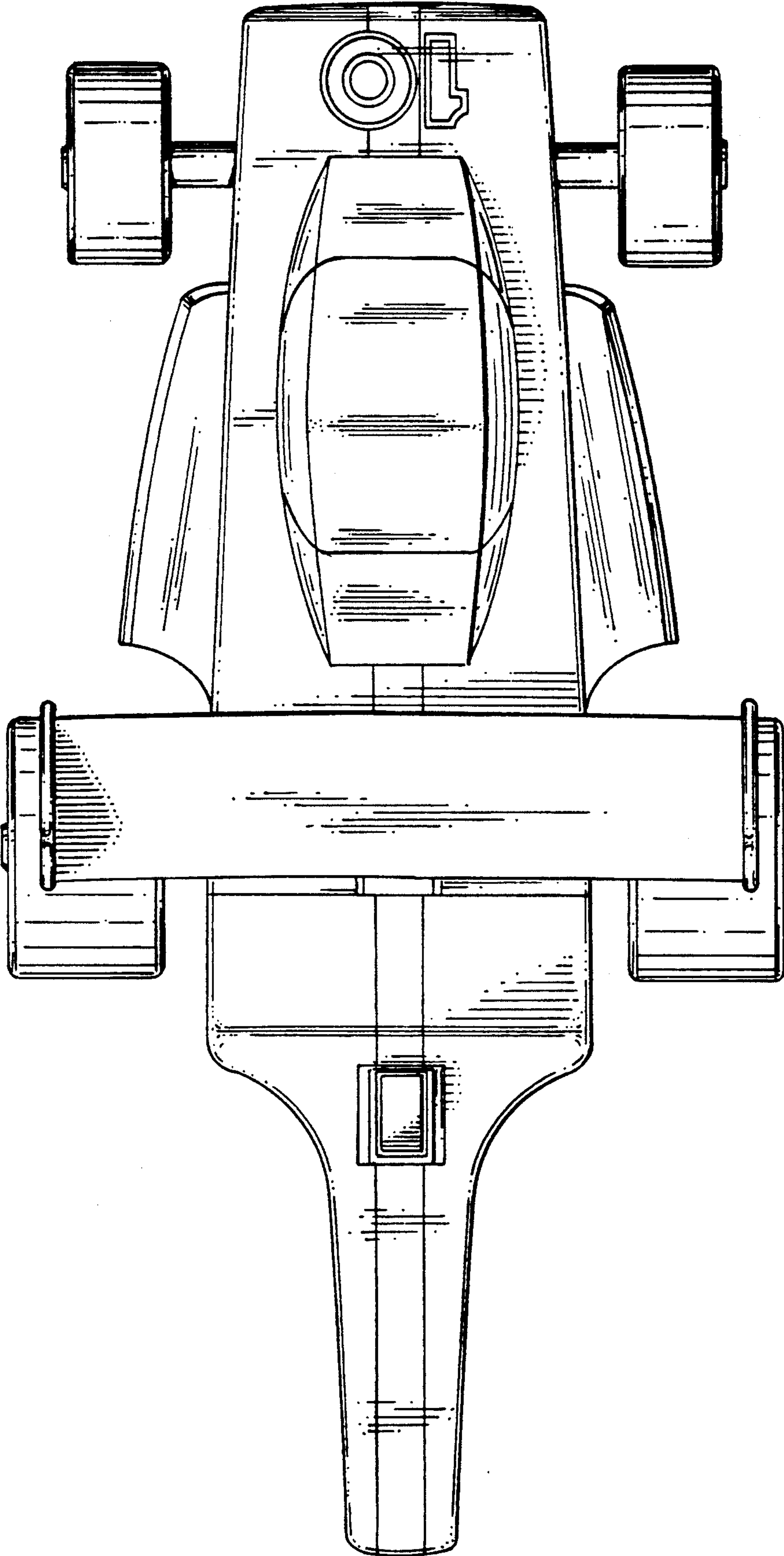


FIG. 1

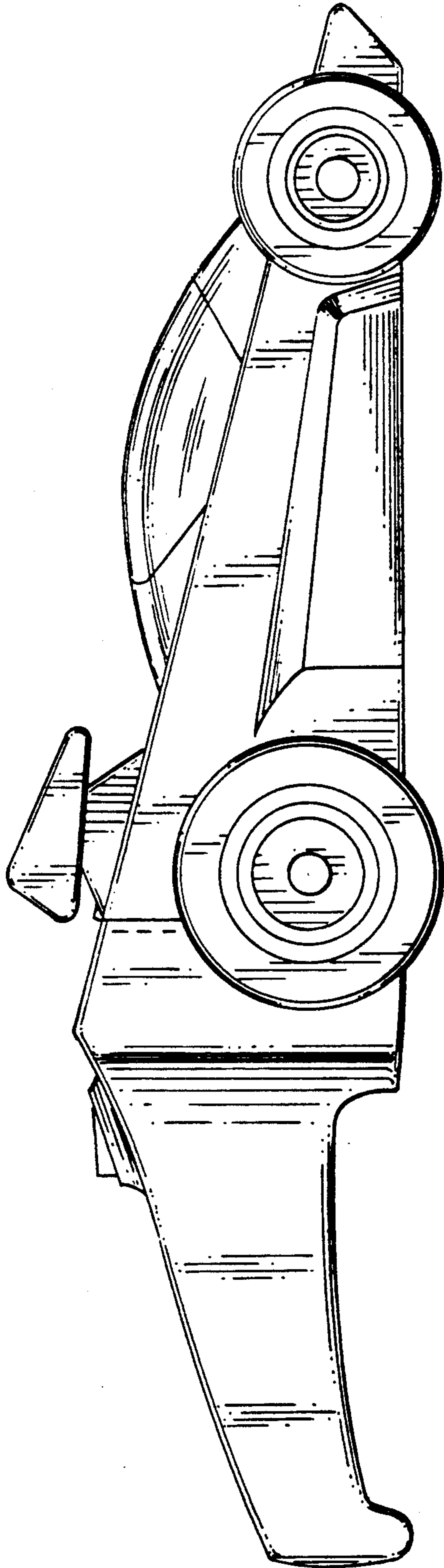


FIG. 2

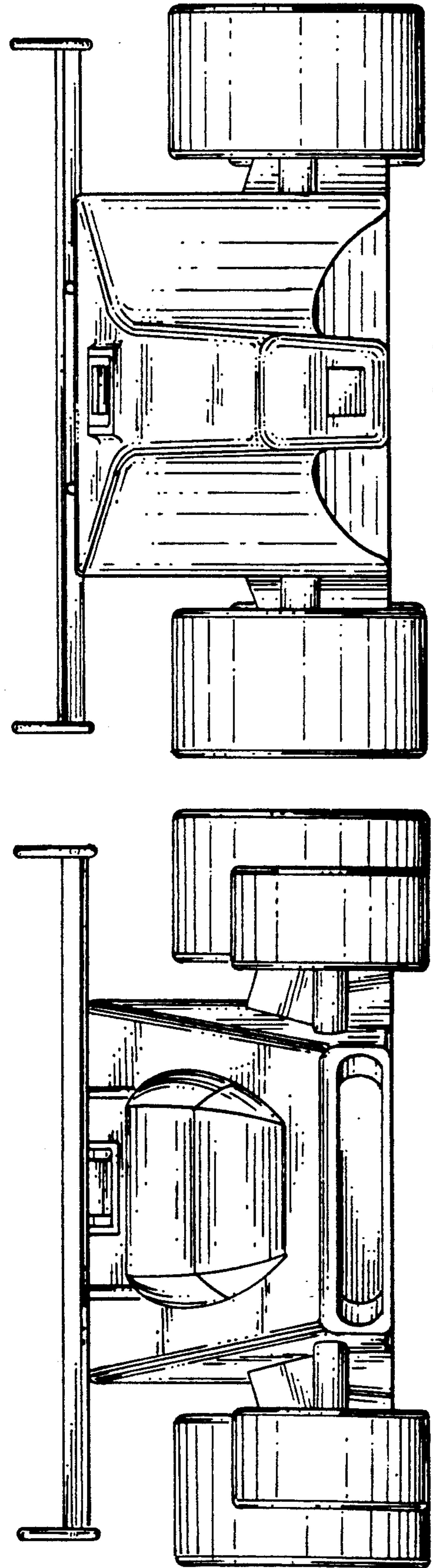


FIG. 3

FIG. 4

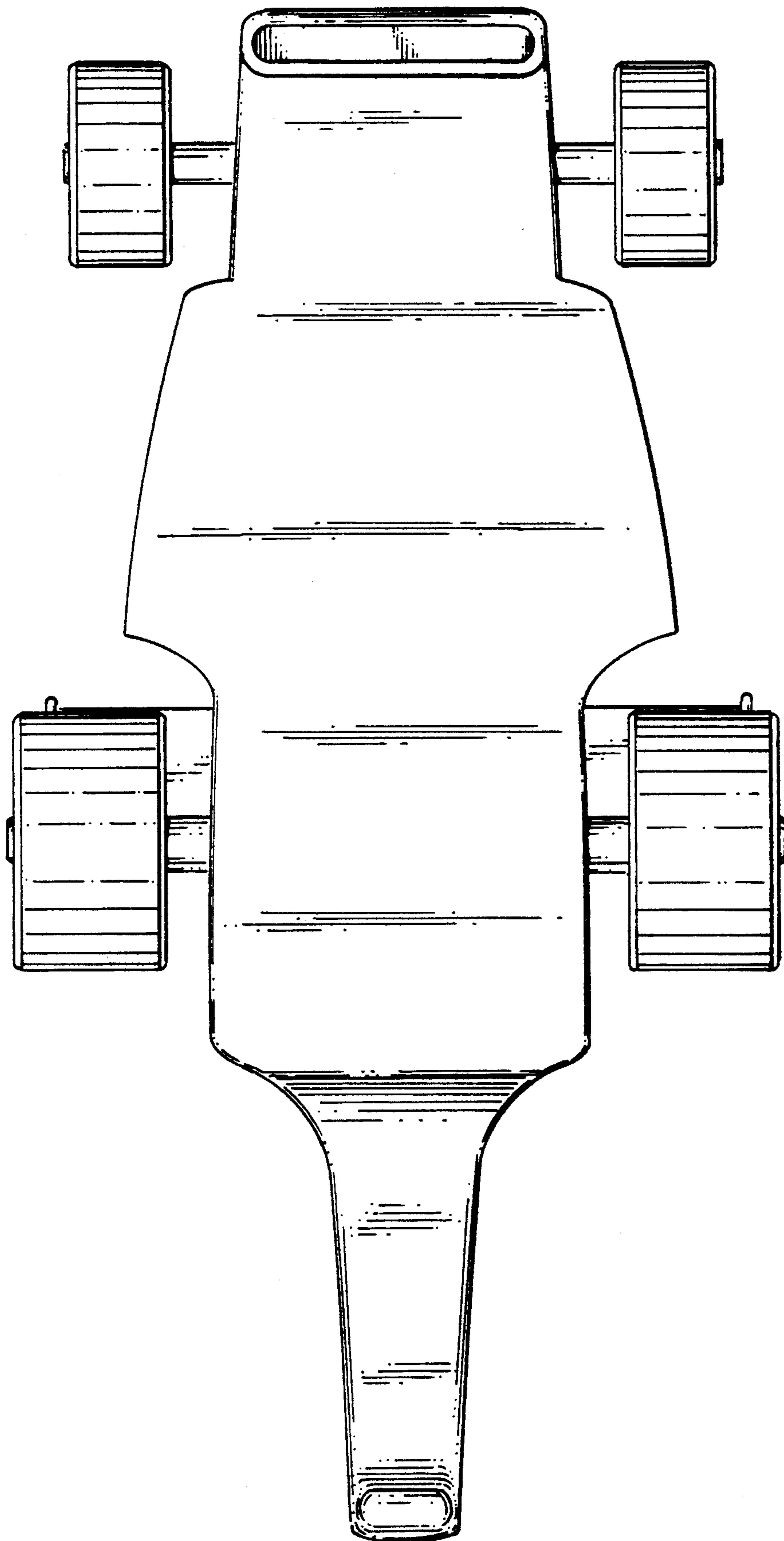


FIG. 5