



US00D337399S

# United States Patent [19]

[11] Patent Number: Des. 337,399

Getty

[45] Date of Patent: \*\* Jul. 13, 1993

[54] SINK AND TANK ASSEMBLY

[76] Inventor: Jill E. Getty, 460 Evansburg Rd.,  
Collegeville, Pa. 19426

[\*\*] Term: 14 Years

[21] Appl. No.: 911,979

[22] Filed: Jul. 10, 1992

[52] U.S. Cl. .... D32/1

[58] Field of Search ..... D32/1-2;  
134/56 R, 84-85, 104.2, 104.3, 104.4, 111,  
172-175, 184, 191, 198, 200; 210/167

3,343,555 9/1967 Kasner ..... 134/174  
 3,522,814 8/1970 Olson ..... 134/111  
 3,970,560 7/1976 Metzger ..... 210/167  
 3,971,394 7/1976 Osborne ..... 134/104  
 4,029,115 6/1914 Wheeler ..... 134/111  
 4,051,858 10/1977 Mele ..... 134/56 R

Primary Examiner—Ruth McInroy  
 Attorney, Agent, or Firm—Dann, Dorfman, Herrell and  
 Skillman

### [57] CLAIM

The ornamental design for a sink and tank assembly, as shown.

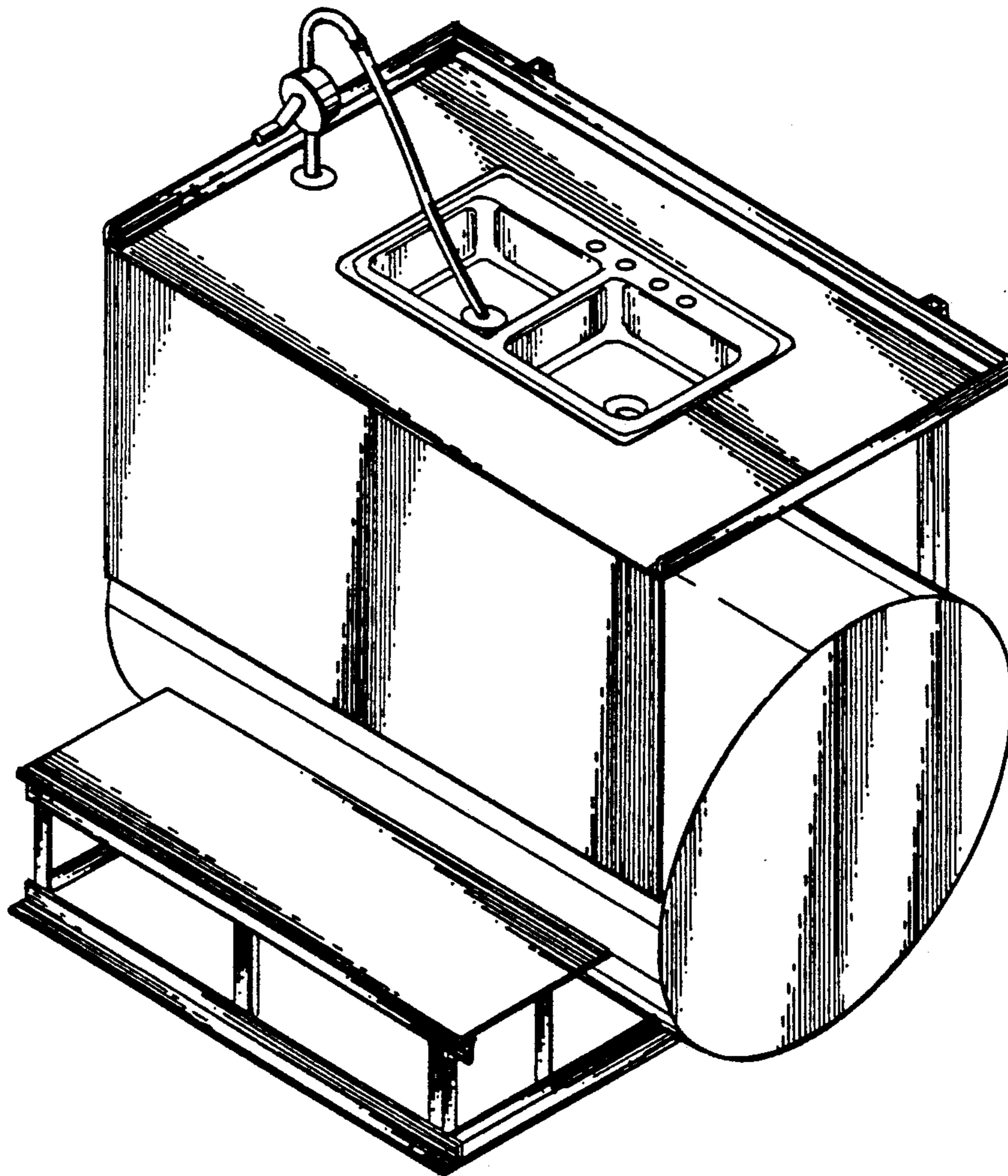
[56] References Cited

U.S. PATENT DOCUMENTS

D. 156,216	11/1949	Corbett	.....	D32/2
D. 232,322	8/1974	Lee	.....	D32/1
D. 279,921	7/1985	Blumer et al.	.....	D23/2
D. 306,223	2/1990	Muirhead et al.	.....	D32/1
D. 324,138	2/1992	Labonte	.....	D6/400
2,675,012	4/1954	Scales	.....	134/85
3,016,841	1/1962	Albertson et al.	.....	134/174

### DESCRIPTION

FIG. 1 is a perspective view of a sink and tank assembly showing my new design;  
 FIG. 2 is a front elevational view thereof;  
 FIG. 3 is a right side elevational view thereof, the left side being a mirror image;  
 FIG. 4 is a rear elevational view thereof;  
 FIG. 5 is a top plan view thereof; and,  
 FIG. 6 is a bottom plan view thereof.



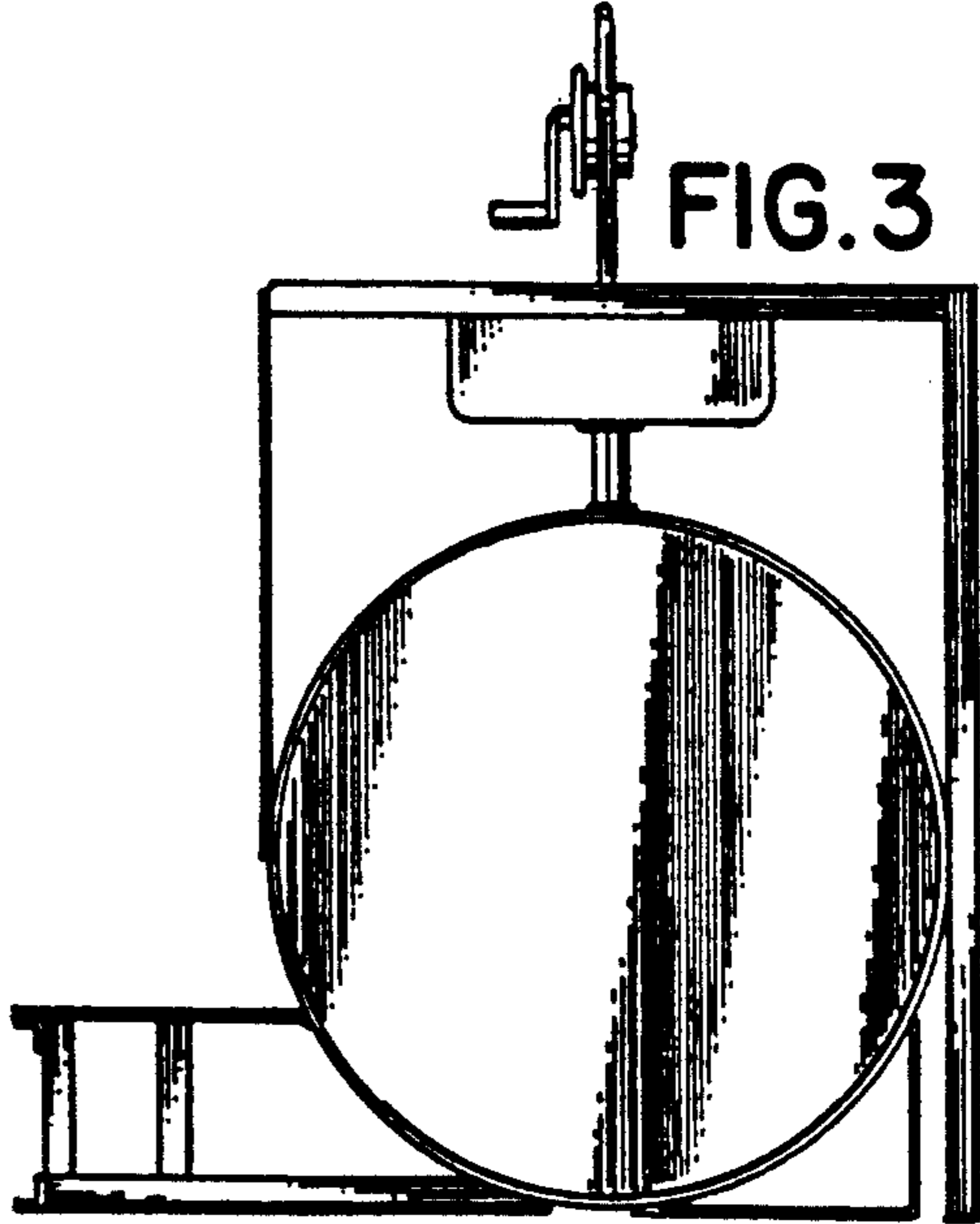
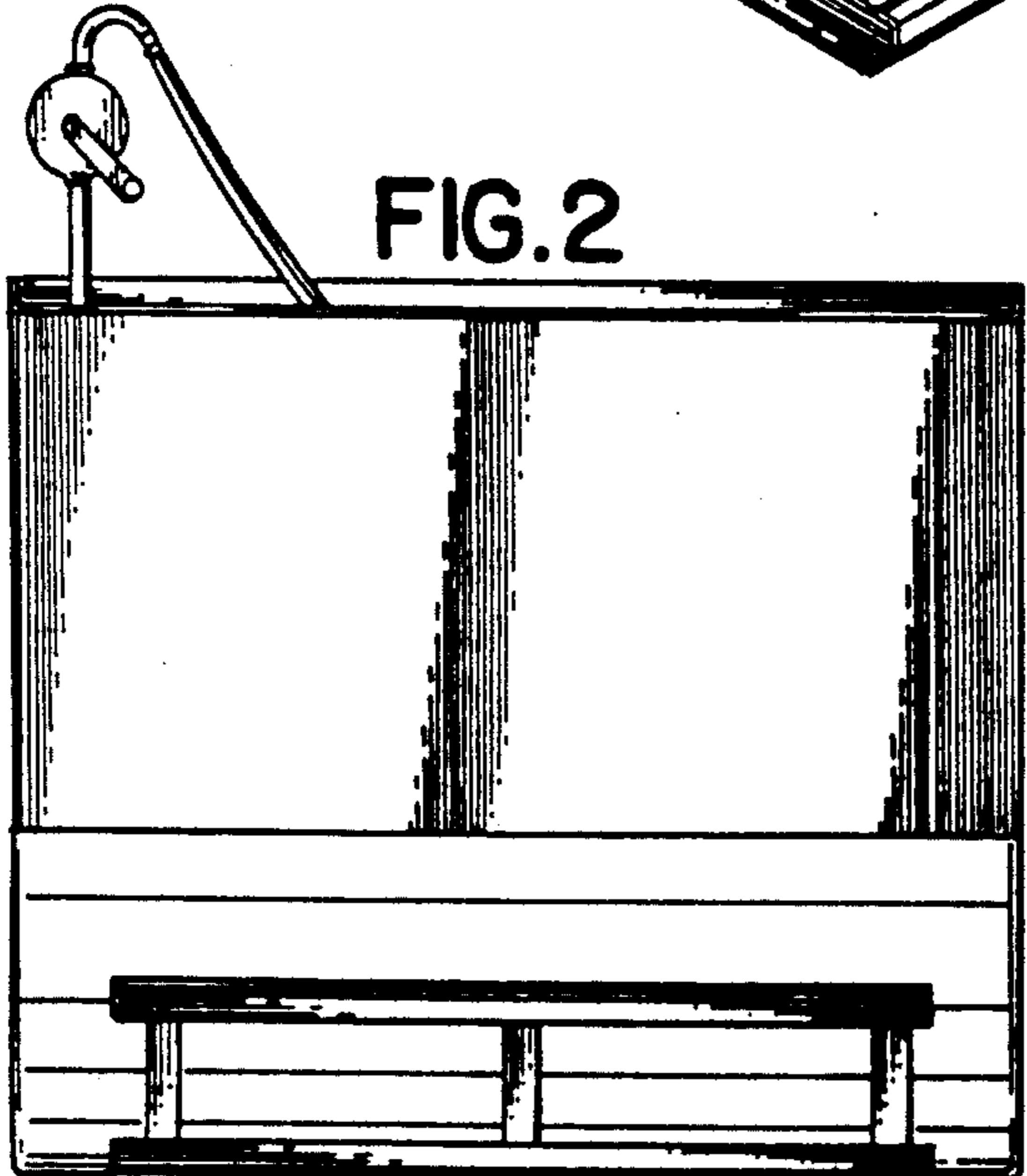
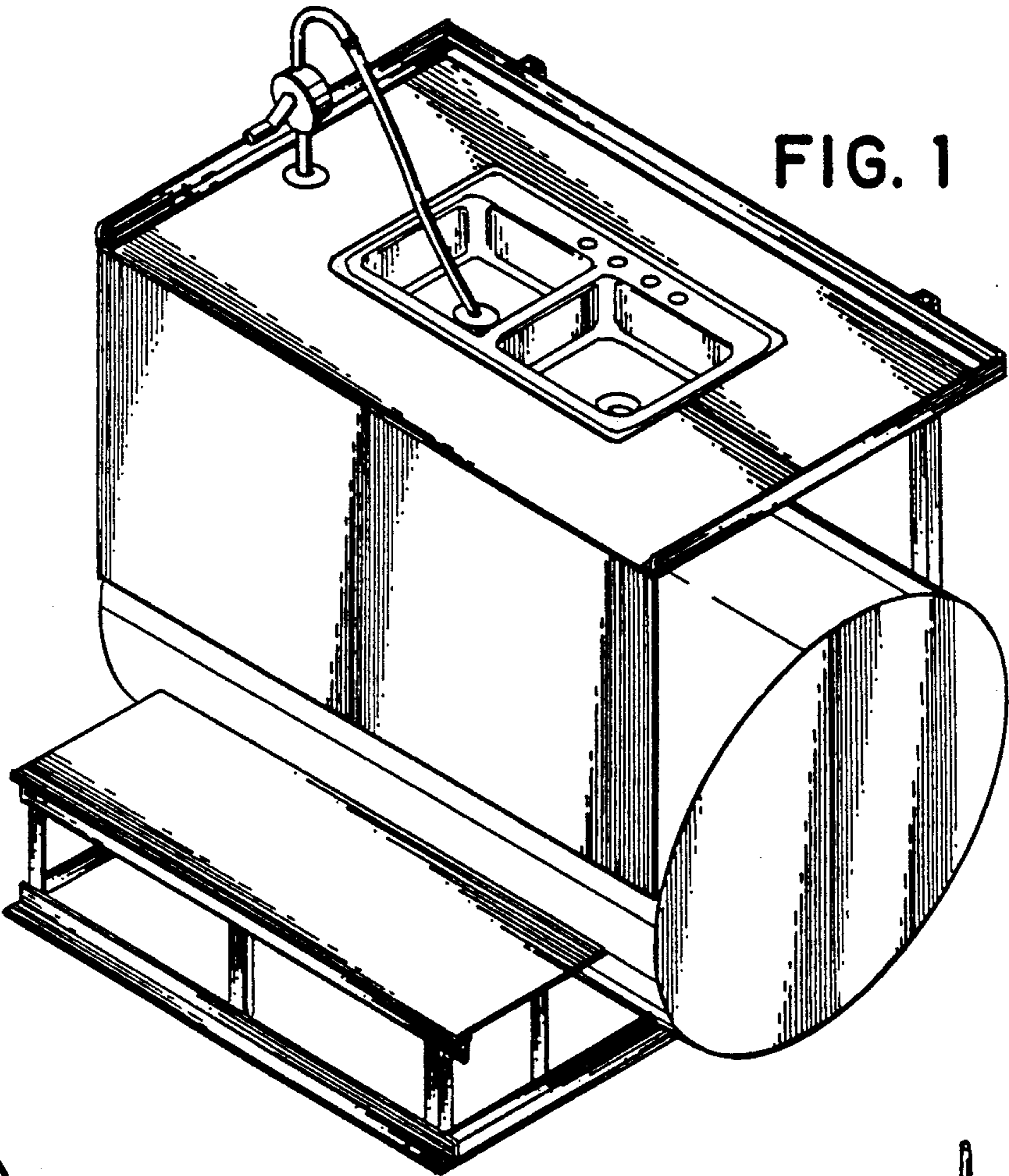


FIG. 4

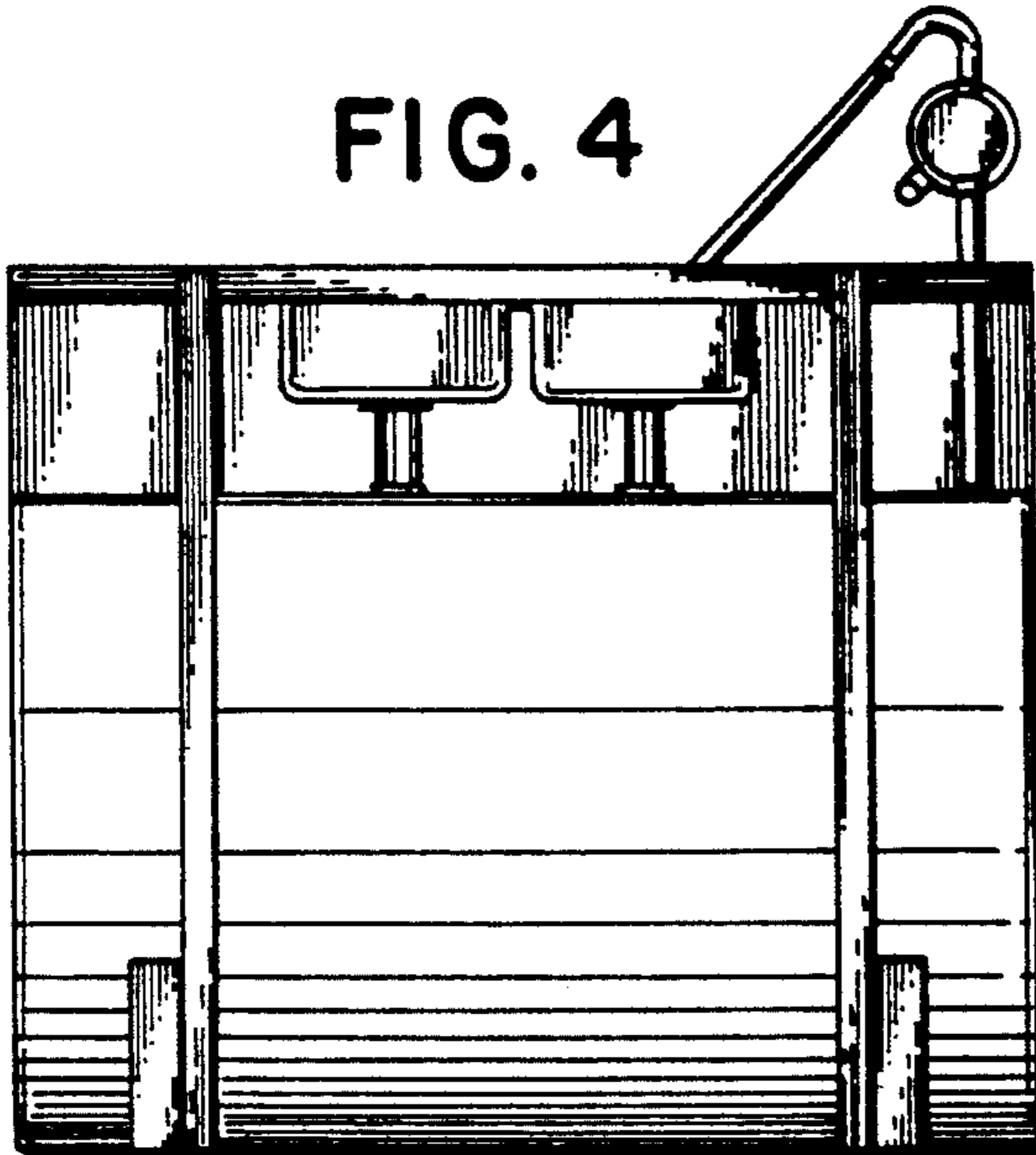


FIG. 5

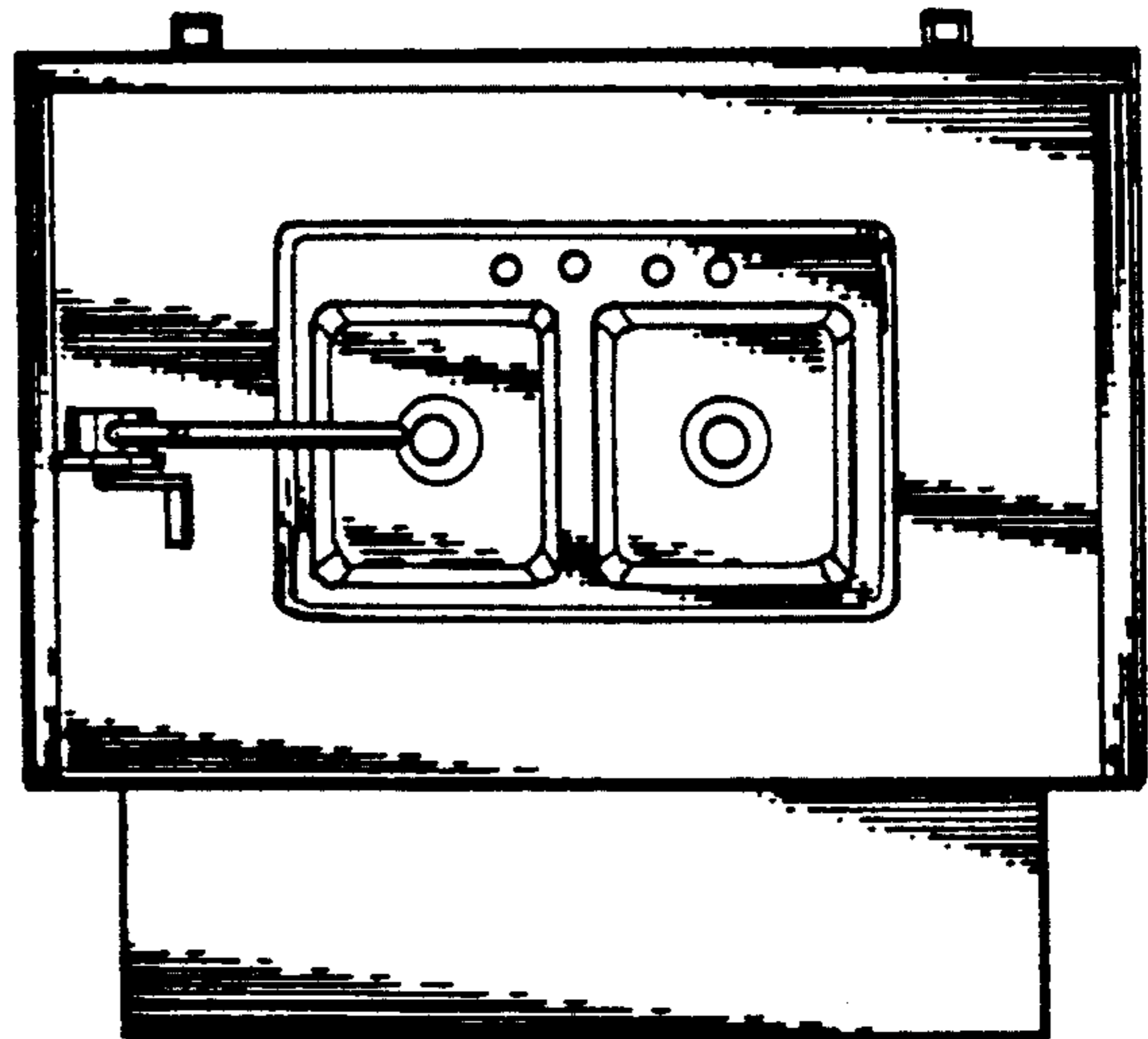


FIG. 6

