



US00D337391S

United States Patent [19]

[11] Patent Number: **Des. 337,391**

Meck et al.

[45] Date of Patent: **** Jul. 13, 1993**

[54] **FLOOR LAMP**

[75] Inventors: **Leslie A. Meck**, Blandon; **N. Peter Pettersson**, Bernville; **John Lehn**, Reading; **Michael J. Becker**, Lansdale, all of Pa.

[73] Assignee: **Baldwin Hardware Corporation**, Reading, Pa.

[**] Term: **14 Years**

[21] Appl. No.: **710,294**

[22] Filed: **Jun. 4, 1991**

[52] U.S. Cl. **D26/102; D26/111**

[58] Field of Search **D26/93, 102-112; 362/410-414**

[56] **References Cited**

U.S. PATENT DOCUMENTS

D. 98,611 2/1936 Perlmutter D26/102

OTHER PUBLICATIONS

Home Lighting & Accessories, Oct. 1989, p. 56, Lamp Shade.

Home Lighting & Accessories, Mar. 1990, p. 62, Philadelphia Table Lamp Finial.

Home Lighting & Accessories, Mar. 1990, p. 62, Oxford Table Lamp.

Baldwin Lighting brochures No. 7607-030-HBP and No. 7607-030-SNM.

Primary Examiner—Susan J. Lucas

Attorney, Agent, or Firm—Myron B. Kapustij; Malcolm L. Sutherland

[57] **CLAIM**

The ornamental design for a floor lamp, as shown and described.

DESCRIPTION

FIG. 1 is a perspective view of a floor lamp showing our new design;

FIG. 2 is a side elevational view thereof;

FIG. 3 is a top plan view thereof;

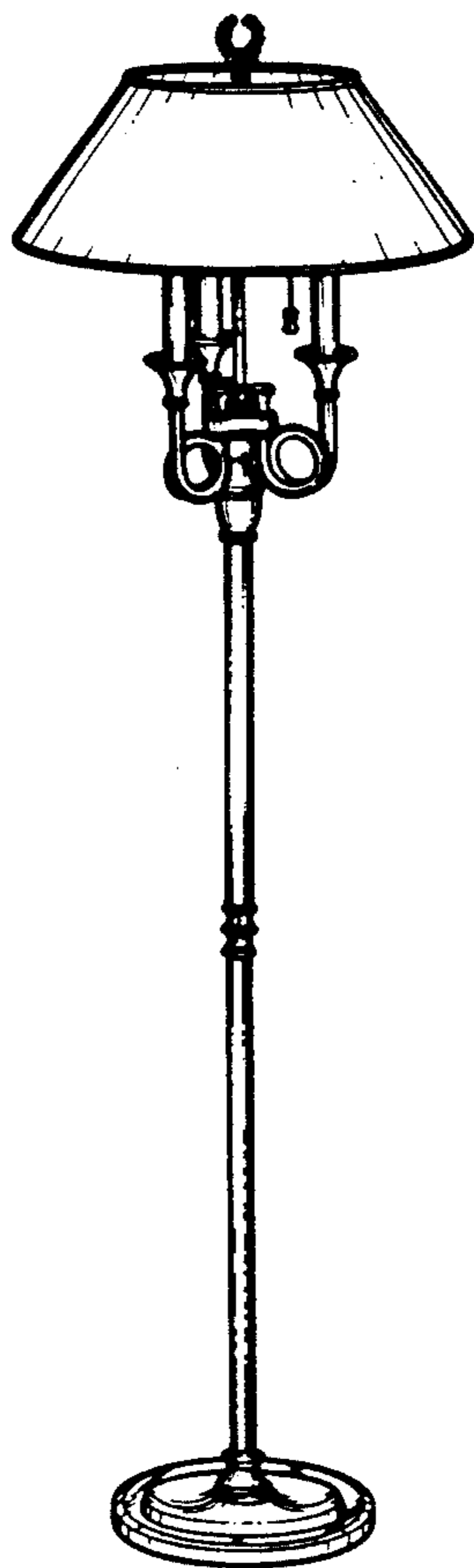
FIG. 4 is an enlarged, fragmentary side elevational view of the section of the standard shown within circle 4 in FIG. 2;

FIG. 5 is an enlarged fragmentary side elevational view of the base of the standard shown within circle 5 in FIG. 2;

FIG. 6 is a perspective view of a second embodiment of our new design;

FIG. 7 is a side elevational view thereof as seen from the right of FIG. 6; and,

FIG. 8 is a top plan view thereof.



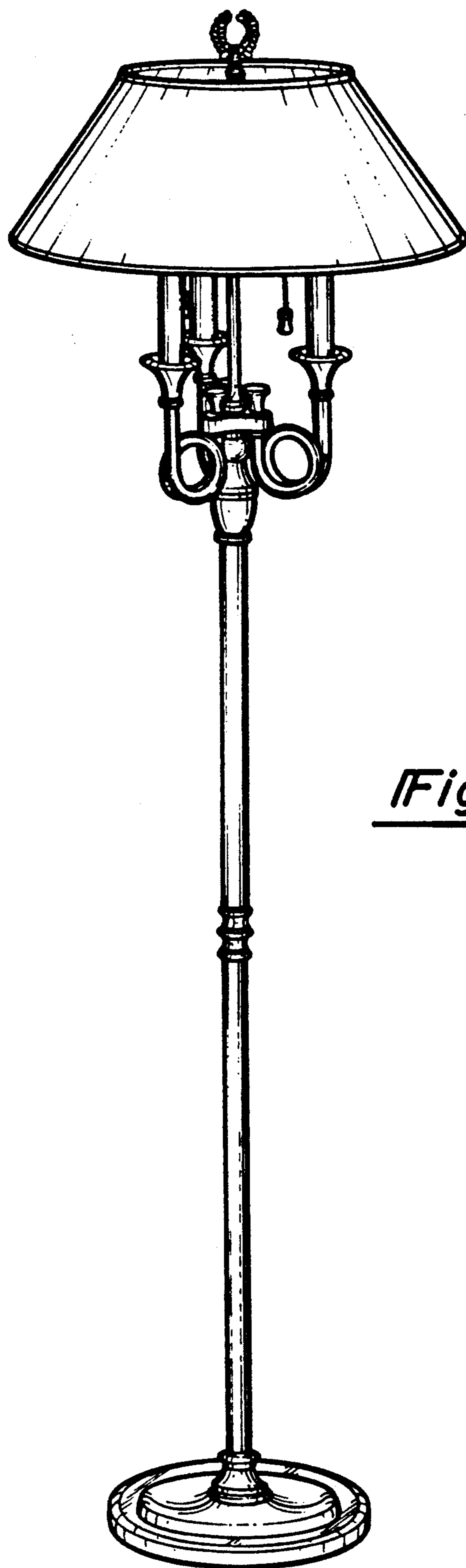


Fig-1

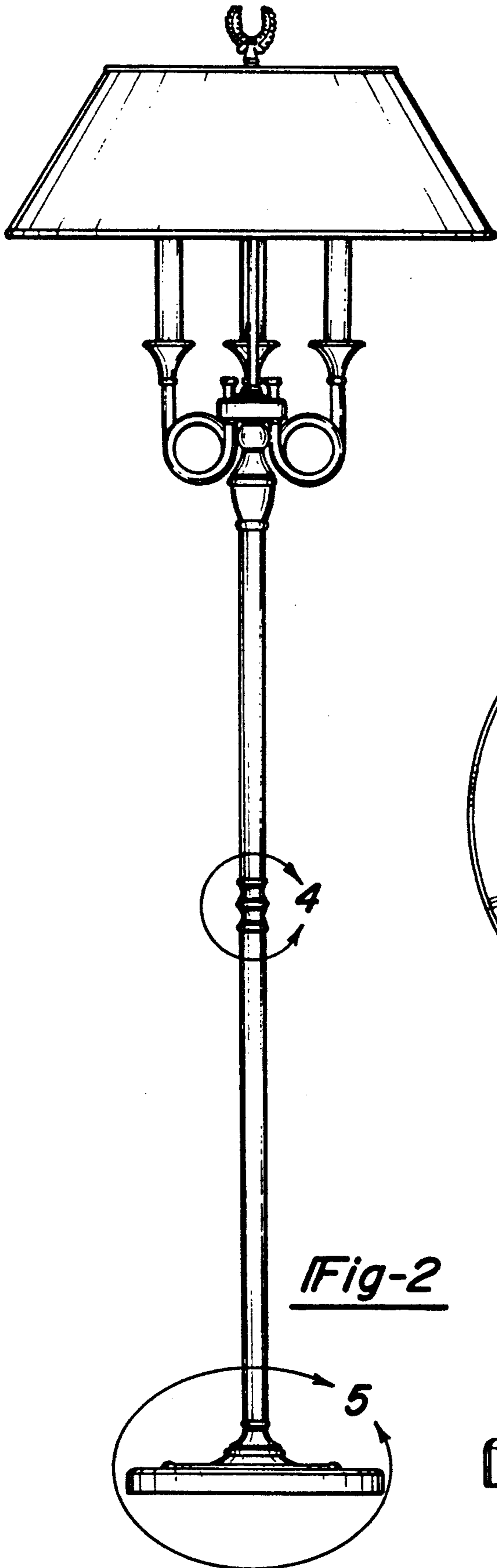


Fig-2

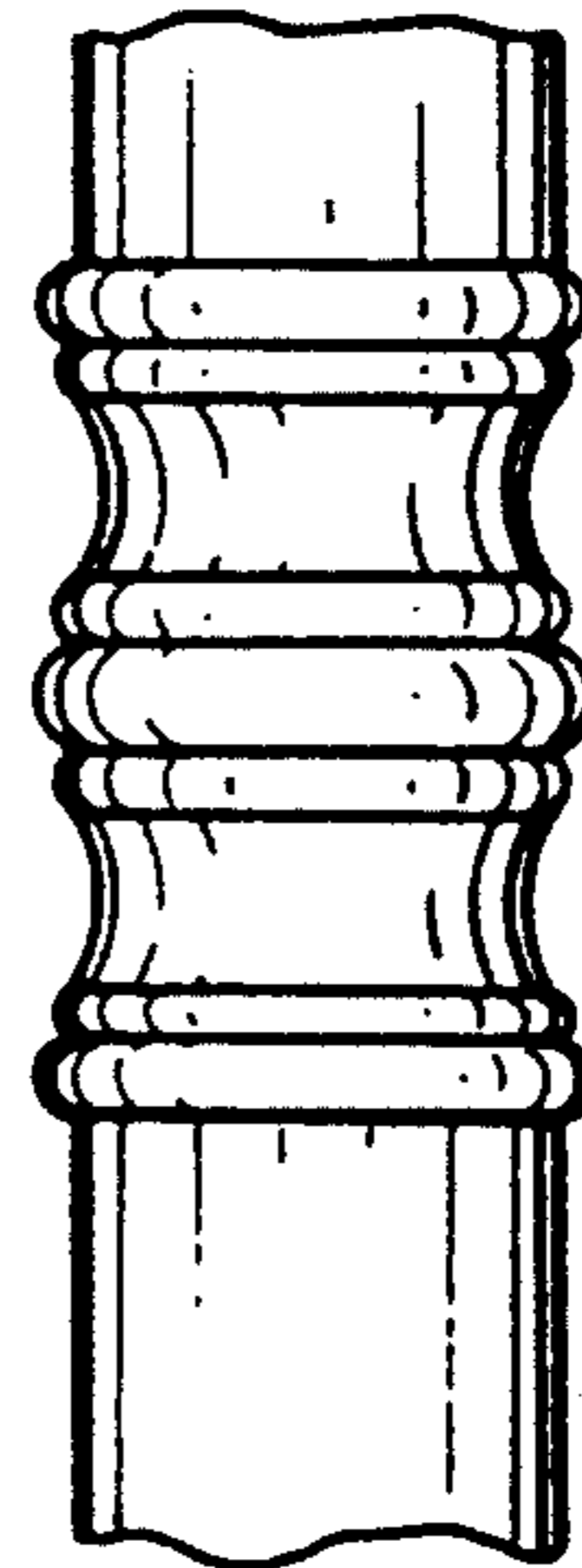


Fig-4

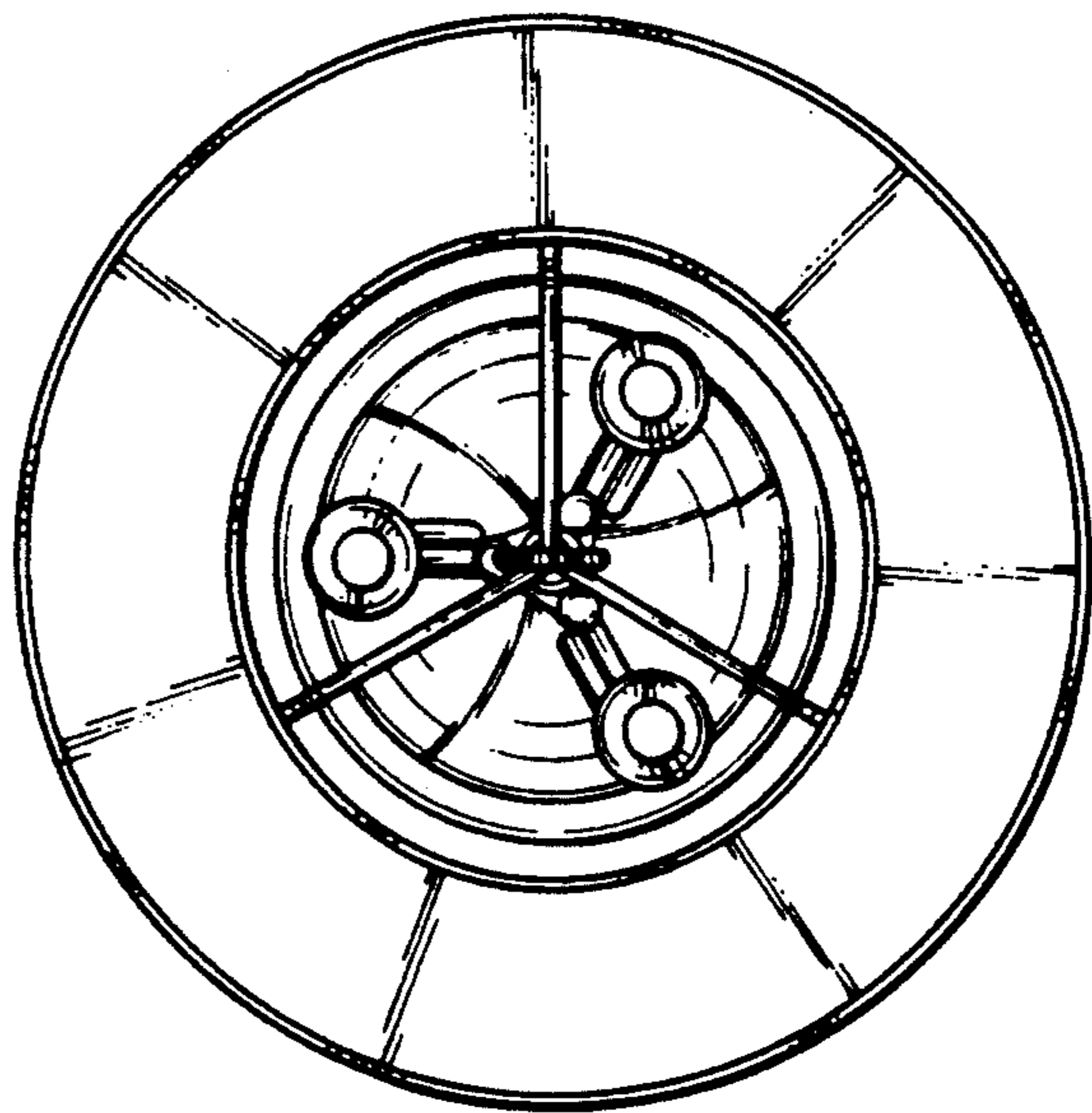


Fig-3

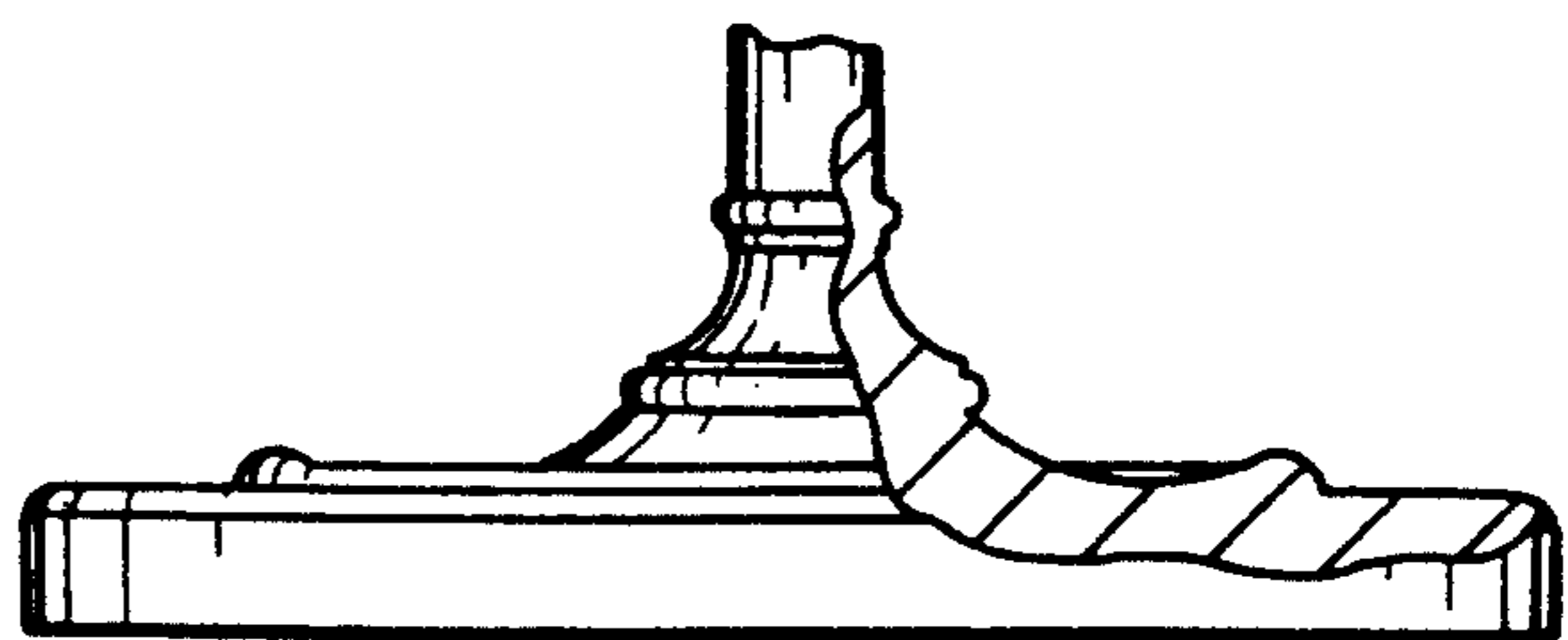


Fig-5

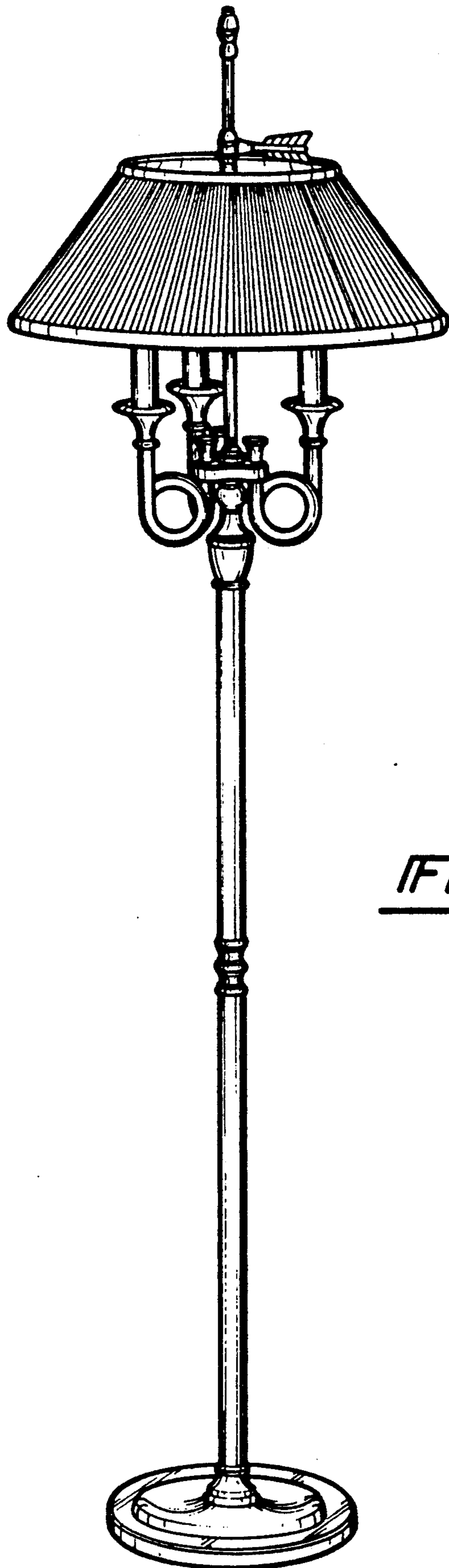


Fig-6

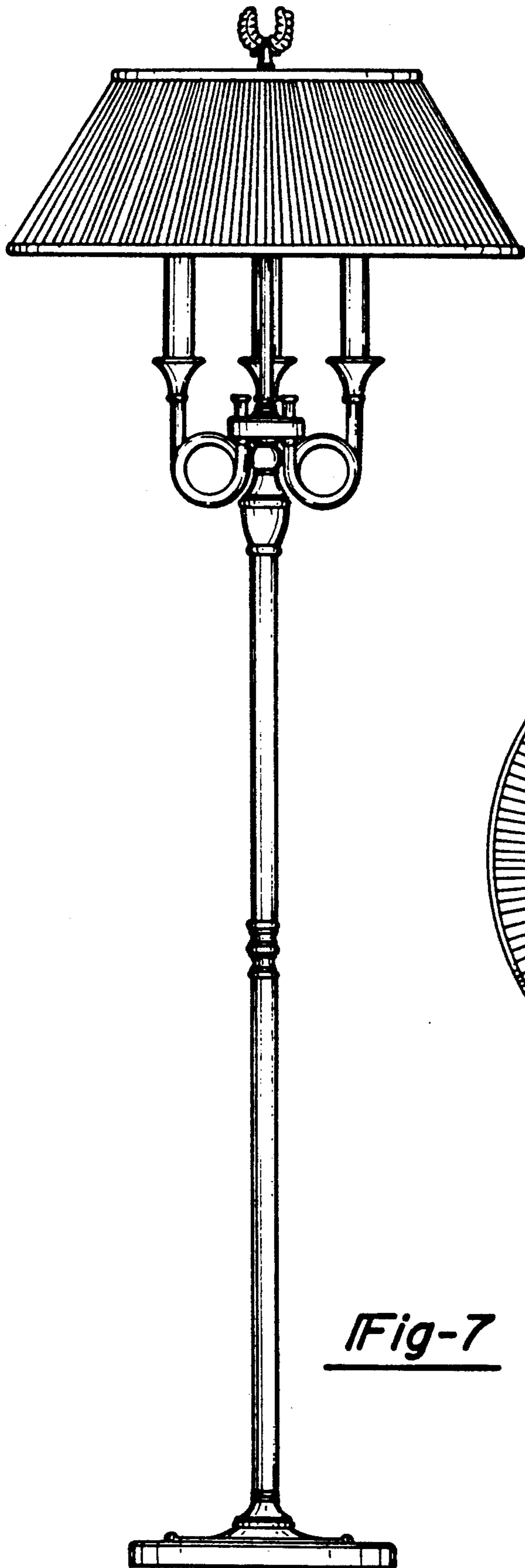


Fig-7

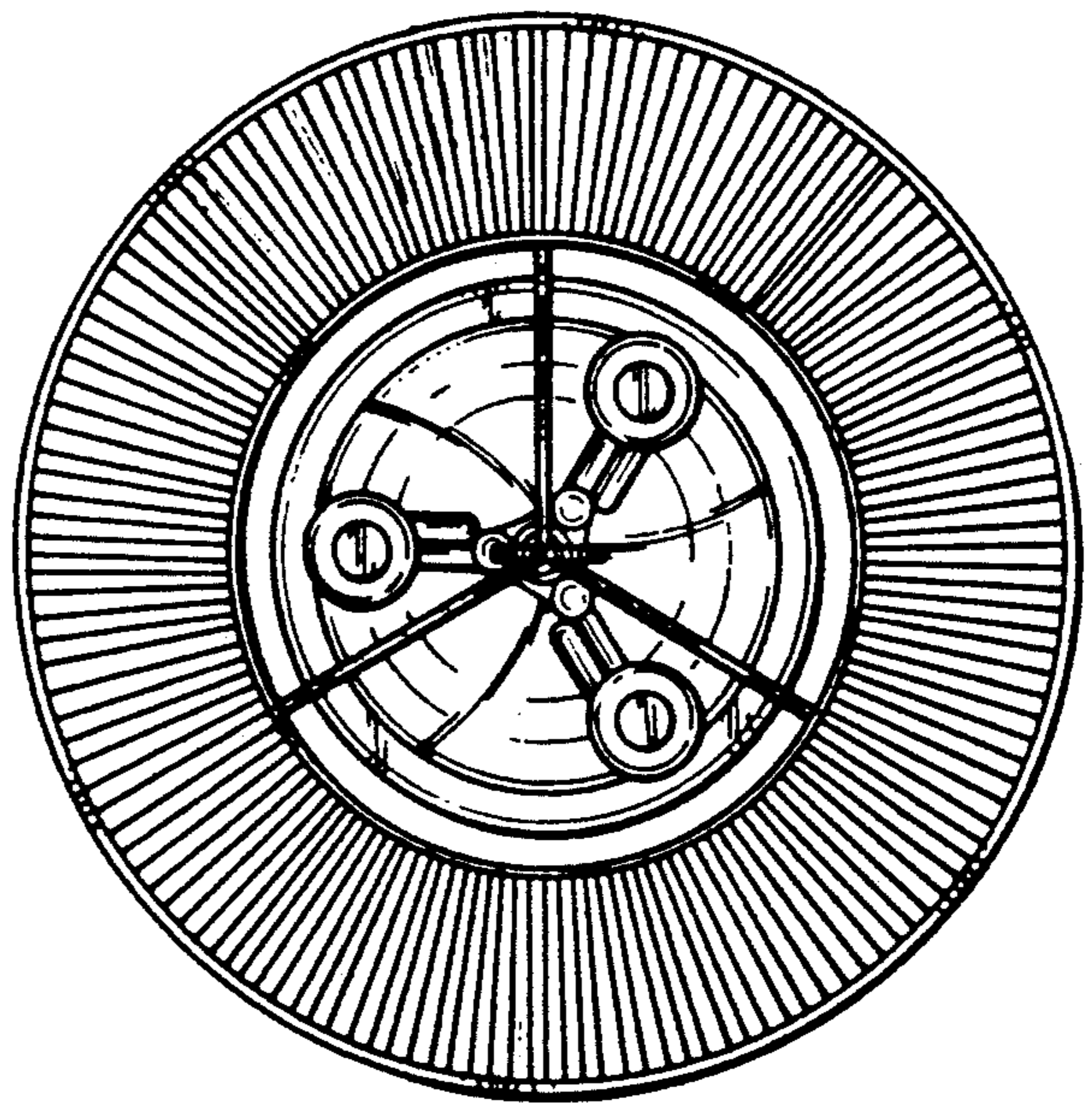


Fig-8