



US00D337388S

# United States Patent [19]

Nilsson et al.

[11] Patent Number: **Des. 337,388**

[45] Date of Patent: **\*\* Jul. 13, 1993**

[54] **CUVETTE FOR AN OPTICAL ANALYSIS OF LIQUIDS**

[75] Inventors: **Sven-Erik Nilsson; Jan Lilja**, both of Helsingborg, Sweden

[73] Assignee: **Hemocue AB, Ängelholm, Sweden**

[\*\*] Term: **14 Years**

[21] Appl. No.: **669,321**

[22] Filed: **Mar. 14, 1991**

[30] **Foreign Application Priority Data**

Sep. 14, 1990 [SE] Sweden ..... 901951

[52] U.S. Cl. .... **D24/224; D24/227**

[58] Field of Search ..... **D24/224; 215/356, 365; 220/500, 23.2, 23.8; 356/246; 435/296; 422/61, 91, 99, 102; 606/160**

[56] **References Cited**

**U.S. PATENT DOCUMENTS**

D. 263,876 4/1982 Beidler et al. .... D24/227 X

D. 278,182 3/1985 Aihara et al. .... D24/224  
D. 283,728 5/1986 Aihara ..... D24/224  
3,627,432 12/1971 Bergmann ..... 422/102 X  
4,119,407 10/1978 Goldstein et al. .... 422/100 X  
4,227,810 10/1980 Sandrock et al. .... D24/226 X

*Primary Examiner*—A. Hugo Word  
*Assistant Examiner*—I. Simmons  
*Attorney, Agent, or Firm*—Kane, Dalsimer, Sullivan, Kurucz, Levy, Eisele & Richard

[57] **CLAIM**

The ornamental design for a cuvette for an optical analysis of liquids, as shown and described.

**DESCRIPTION**

FIG. 1 is a side elevational view of a cuvette for an optical analysis of liquids showing our new design; FIG. 2 is a top plan view thereof; FIG. 3 is a bottom plan view thereof; FIG. 4 is an end elevational view thereof; FIG. 5 is an inverted perspective view thereof; and, FIG. 6 is a perspective view thereof taken toward the same side as that shown in FIG. 5.

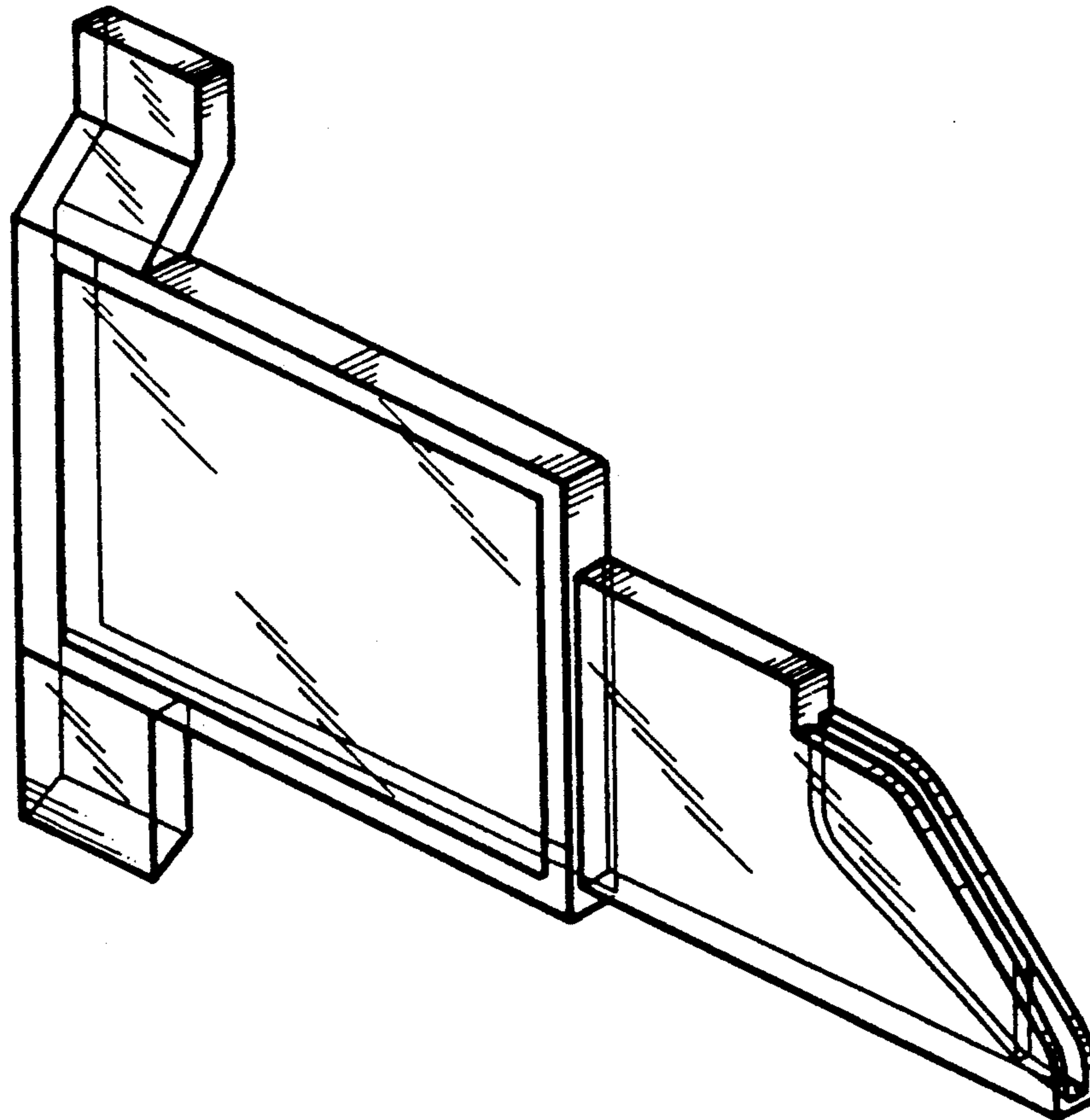


FIG.3



FIG.1

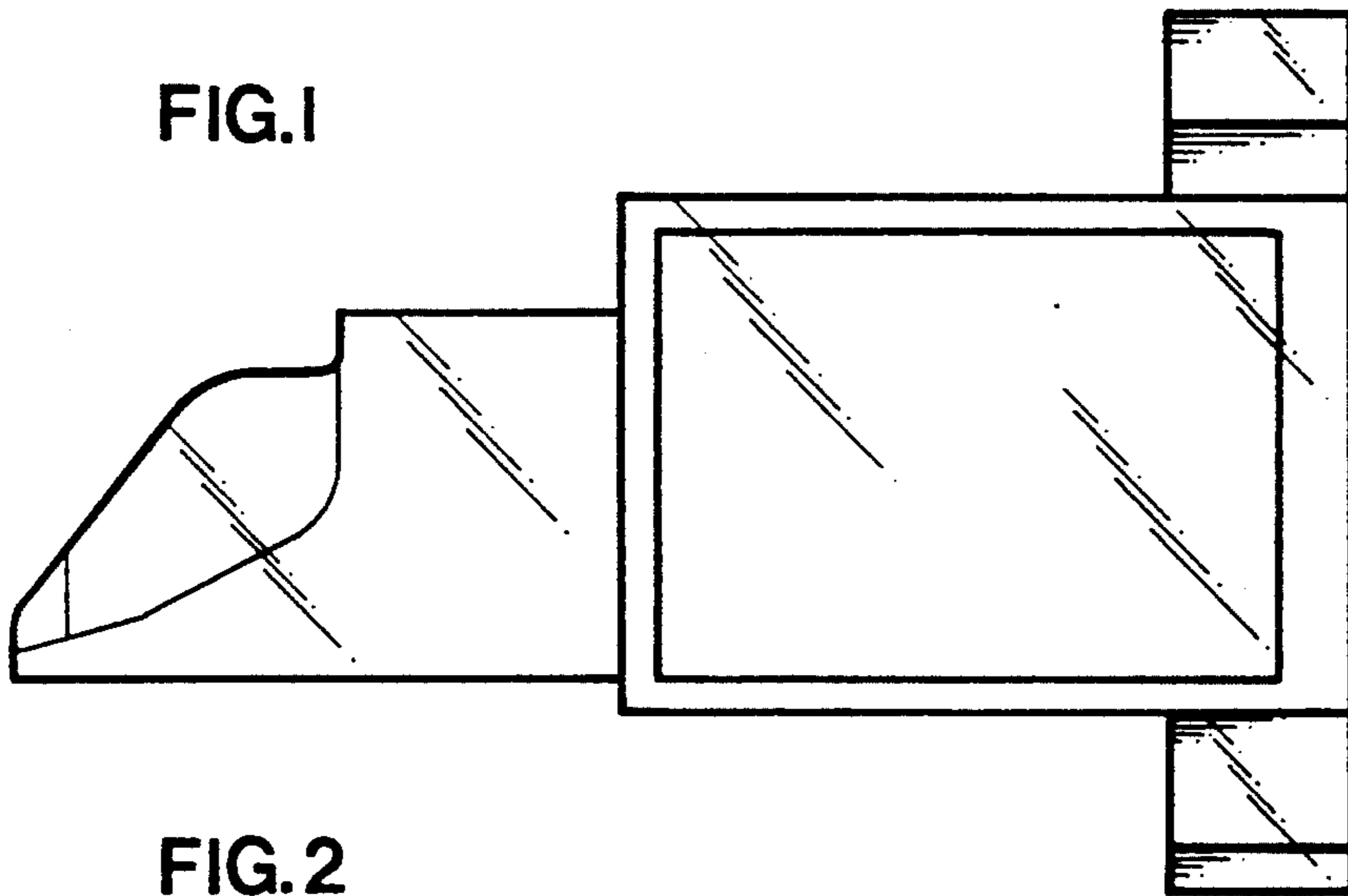


FIG.2



FIG.4



FIG.5

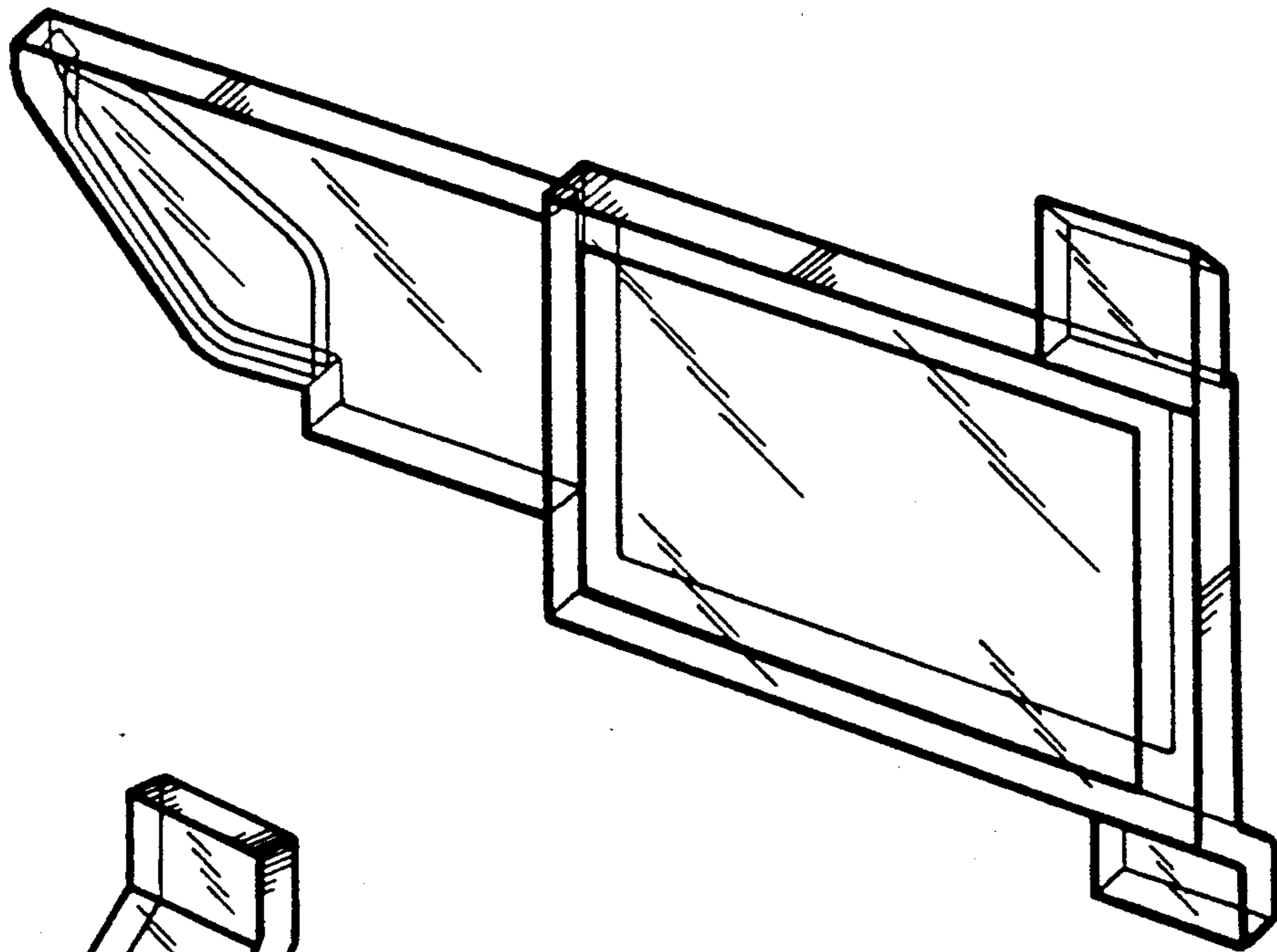


FIG.6

