



US00D337386S

United States Patent [19]

[11] Patent Number: **Des. 337,386**

Bierend

[45] Date of Patent: **** Jul. 13, 1993**

- [54] **CARTOON BUBBLE PACIFIER**
- [75] Inventor: **Steven J. Bierend, Santa Maria, Calif.**
- [73] Assignee: **Paci-Faces, Inc., Atlantic Highlands, N.J.**
- [**] Term: **14 Years**
- [21] Appl. No.: **891,933**
- [22] Filed: **May 29, 1992**
- [52] U.S. Cl. **D24/194**
- [58] Field of Search **D24/194, 196, 193; 606/234, 235, 236**

5,123,915 6/1992 Miller et al. D24/193

Primary Examiner—Stella Reid
Attorney, Agent, or Firm—Winstead Sechrest & Minick

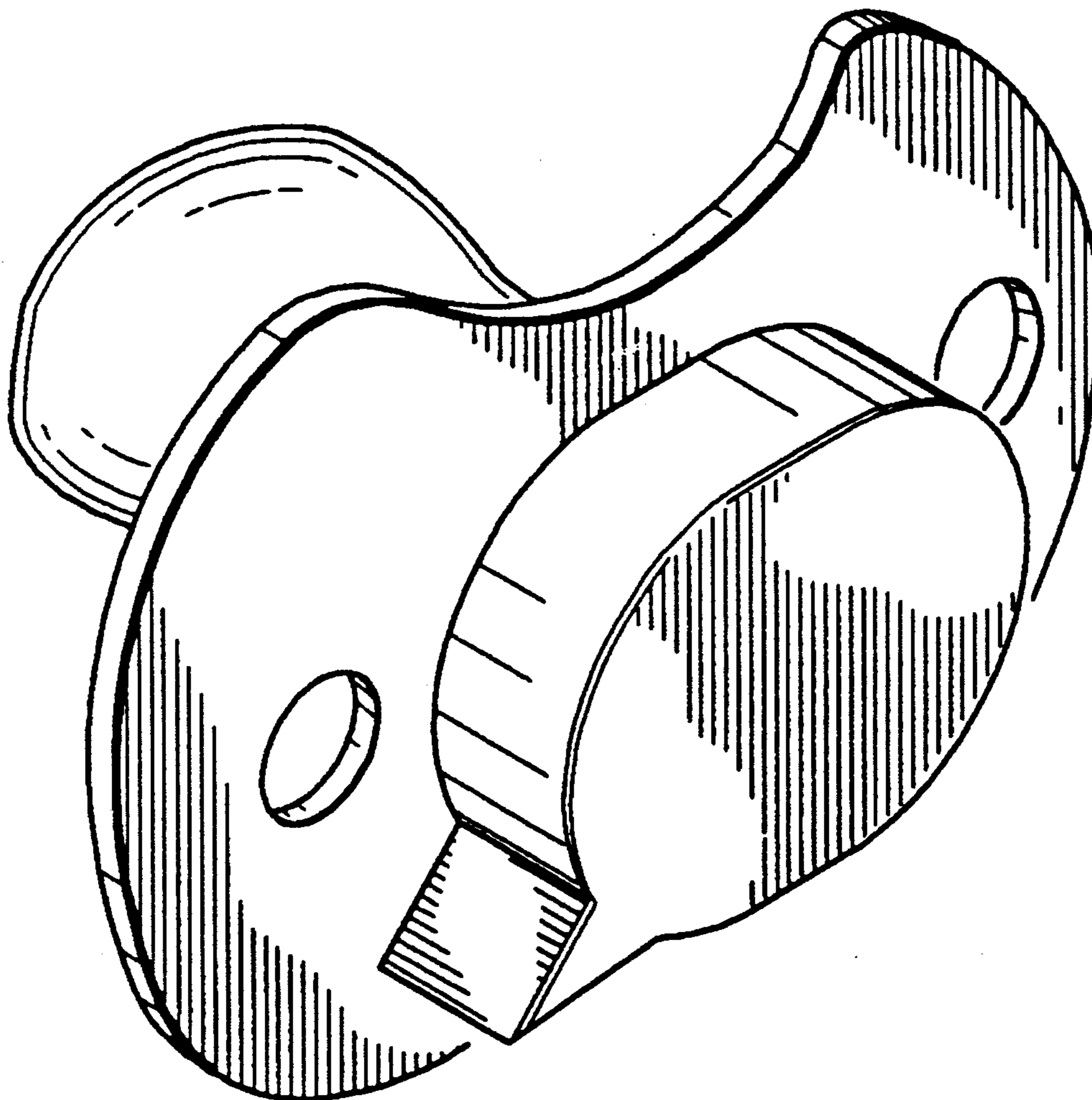
[57] CLAIM

The ornamental design for a pacifier, as shown and described.

DESCRIPTION

FIG. 1 is a perspective view of a pacifier, showing my new design;
 FIG. 2 is a front elevational view thereof, the broken line showing is for illustrative purposes only and forms no part of the claimed design;
 FIG. 3 is a right side elevational view thereof;
 FIG. 4 is a left side elevational view thereof;
 FIG. 5 is a rear elevational view thereof;
 FIG. 6 is a top plan view thereof; and,
 FIG. 7 is a bottom plan view thereof.

- [56] **References Cited**
- U.S. PATENT DOCUMENTS**
- D. 248,317 6/1978 Meeker et al. D24/194
- D. 288,126 2/1987 Haupt D24/195
- D. 326,919 6/1992 Gettner et al. D24/194



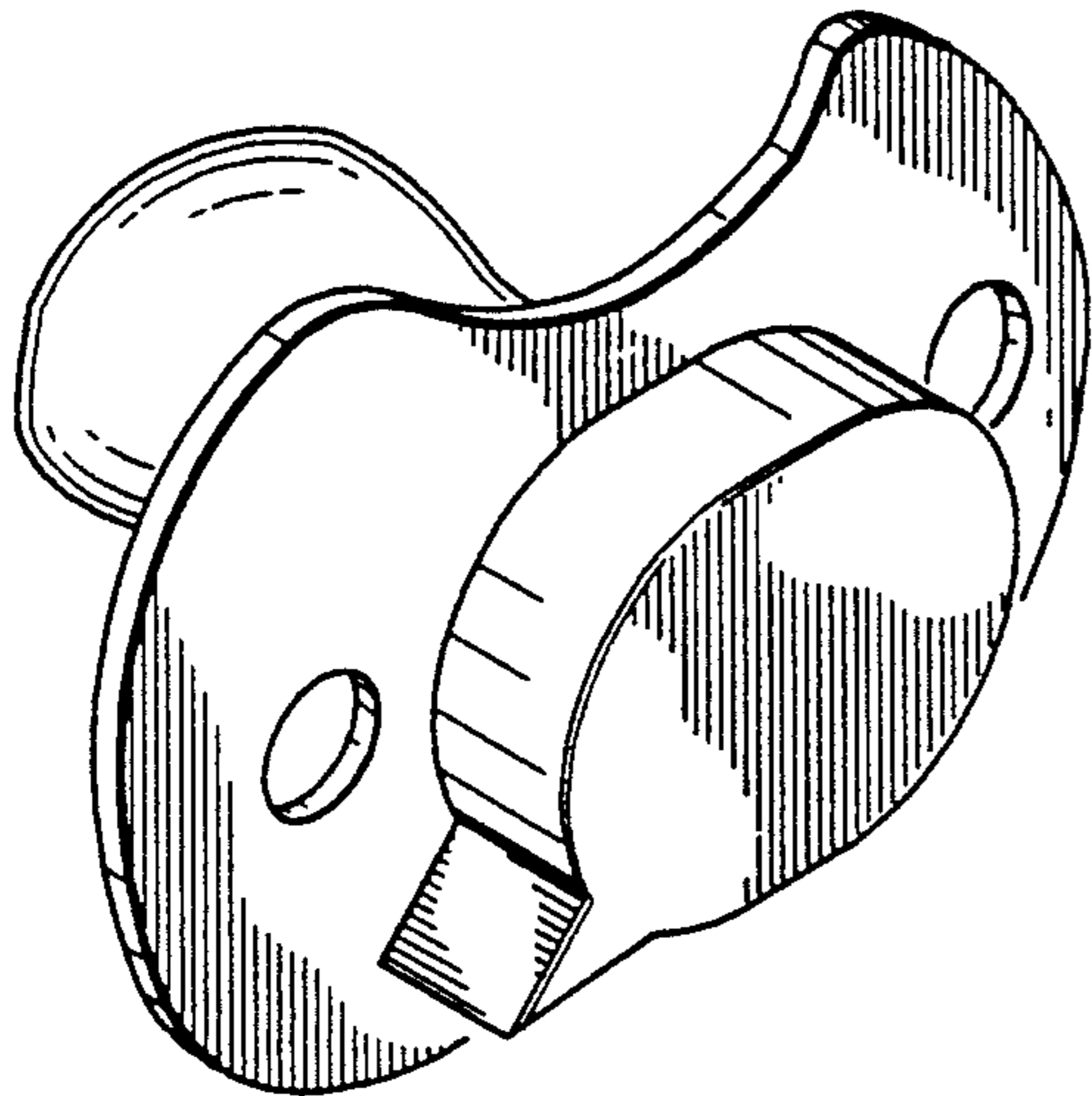


FIG. 1

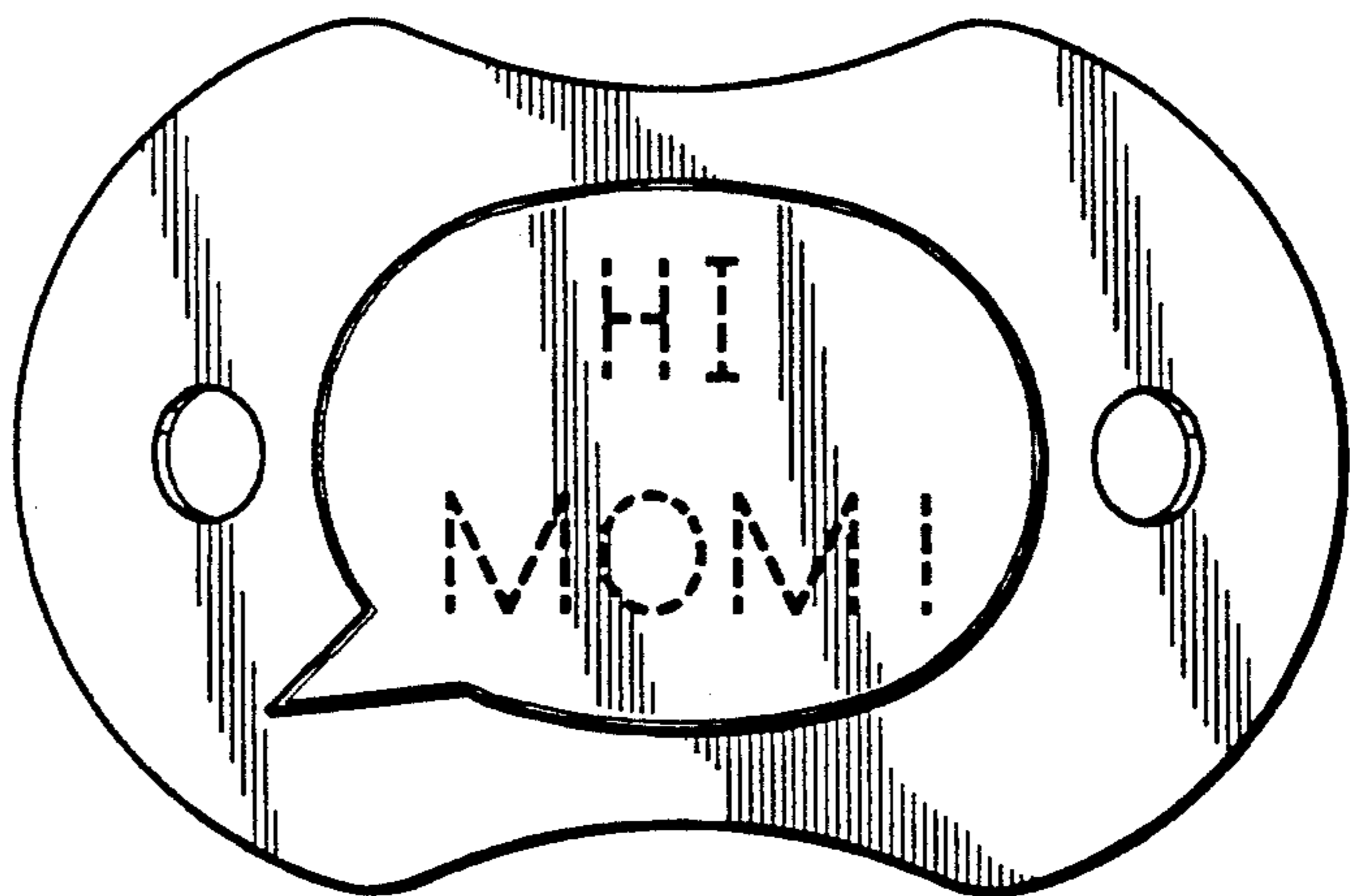


FIG. 2

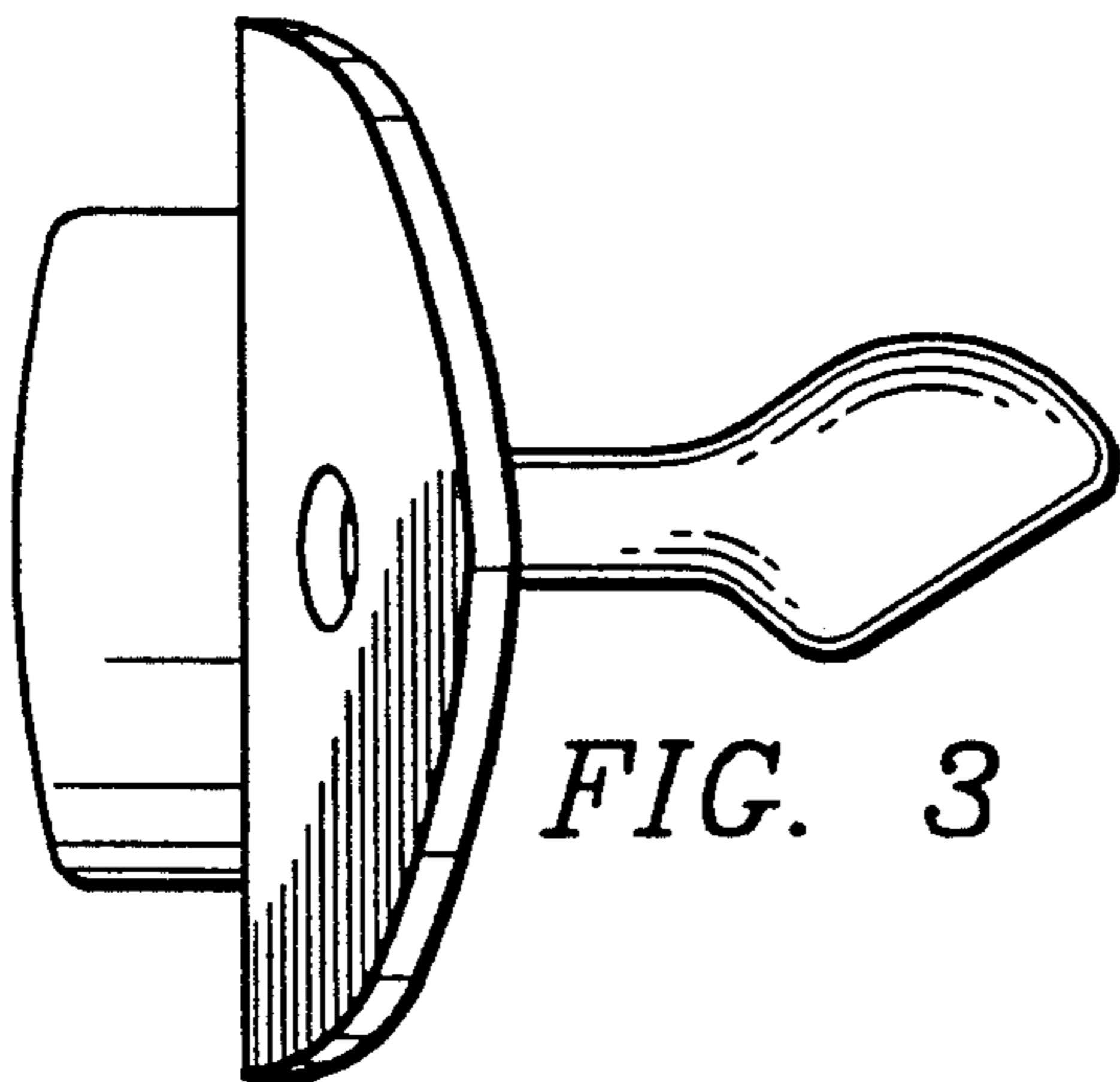


FIG. 3

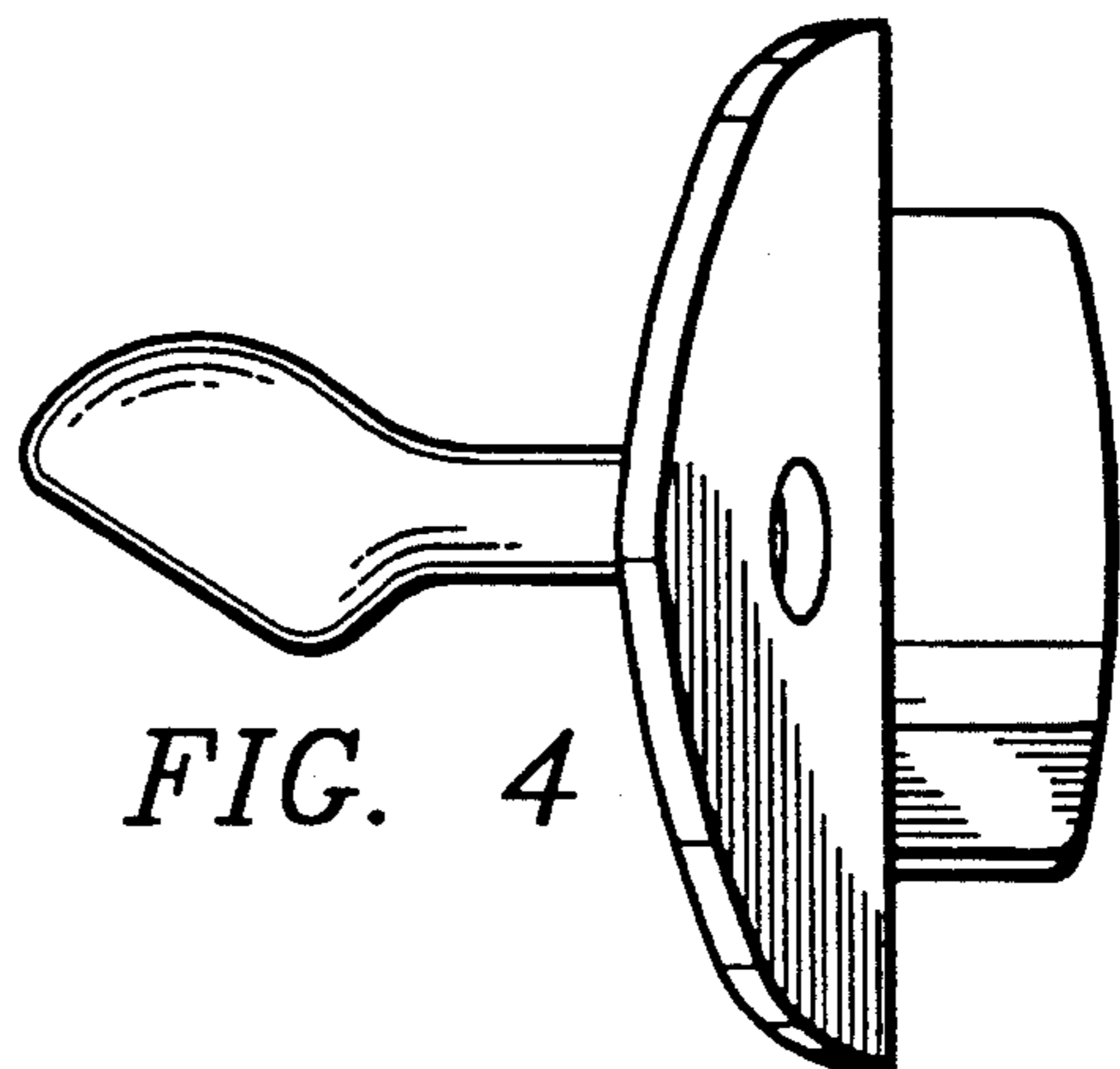


FIG. 4

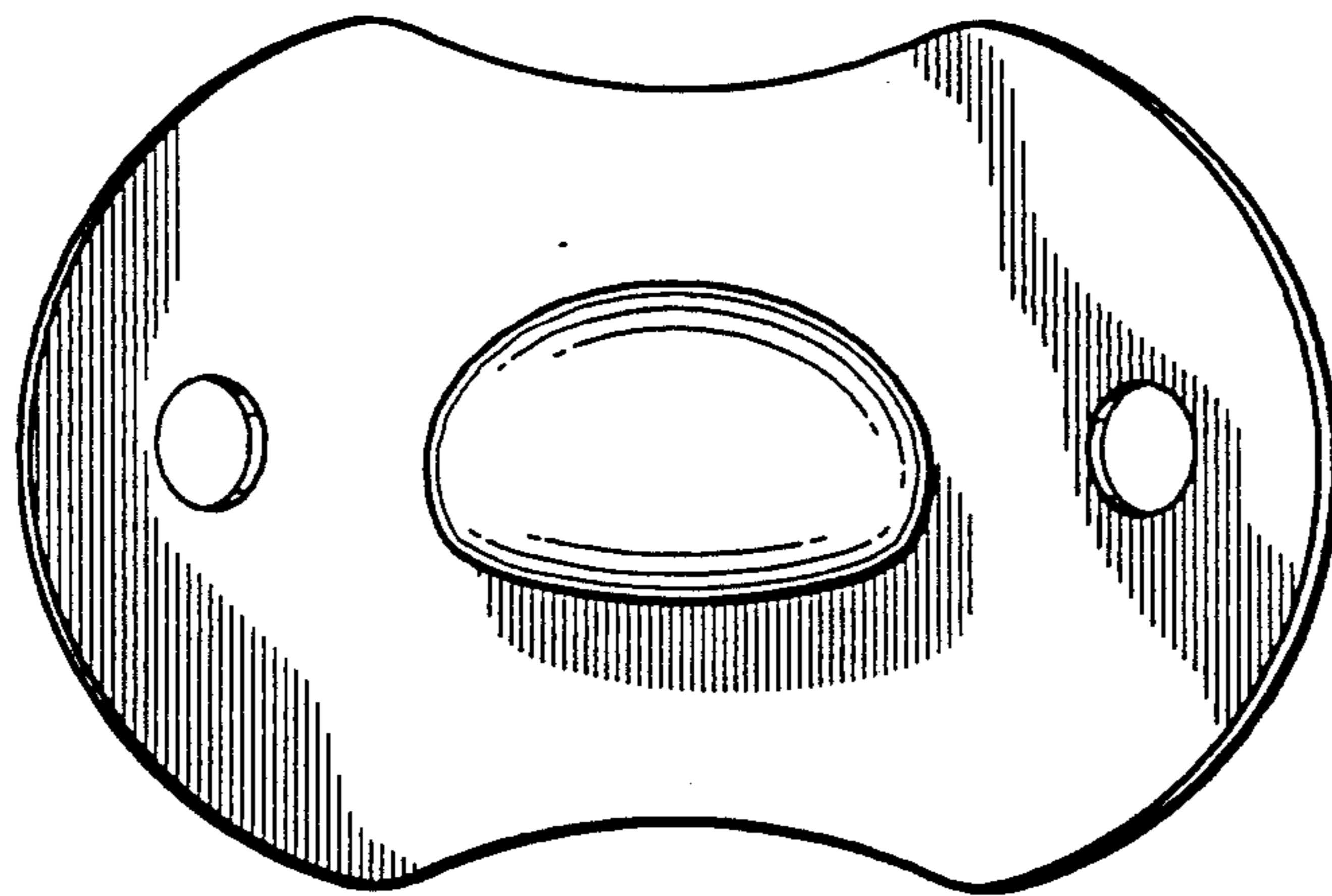


FIG. 5

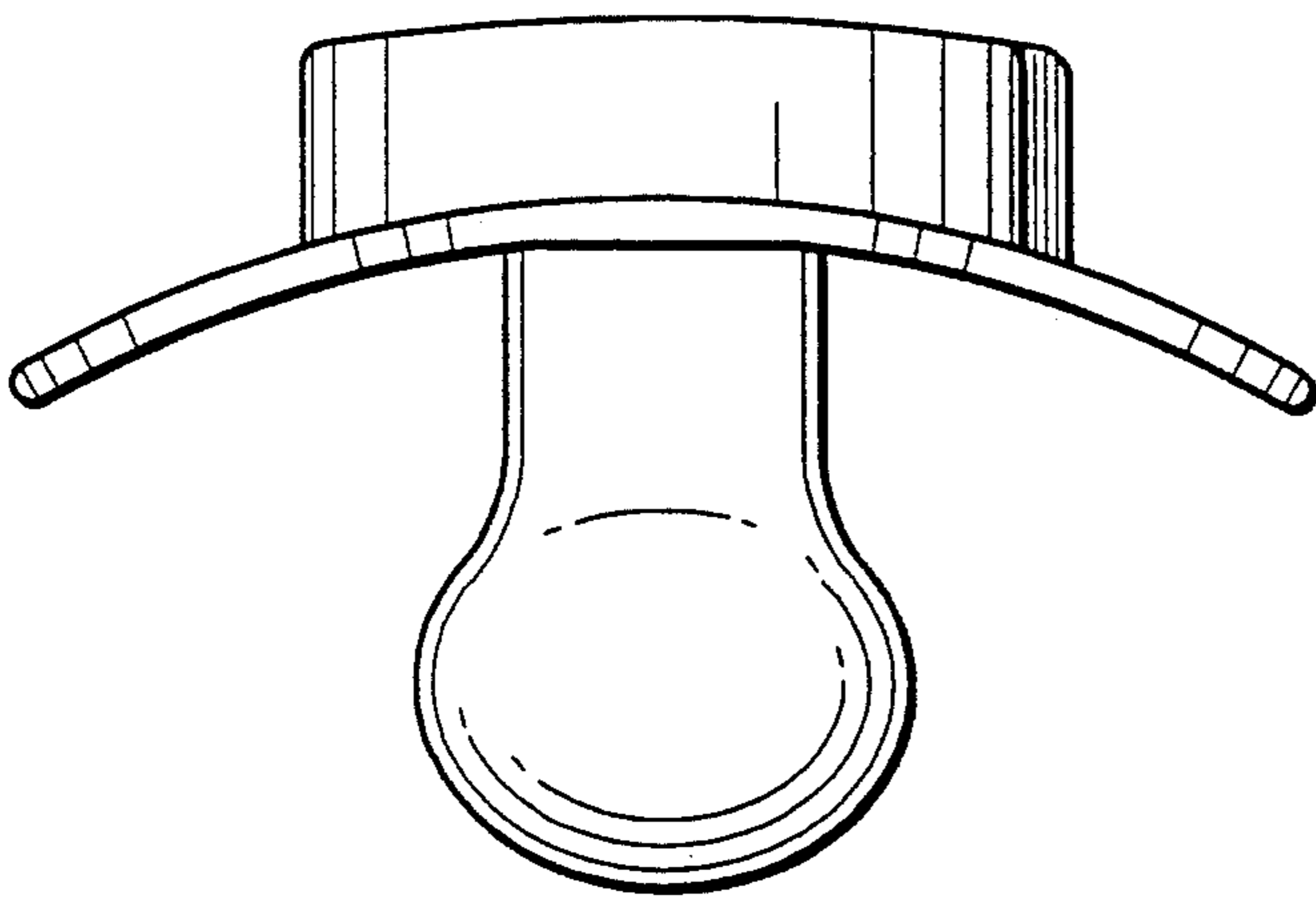


FIG. 6

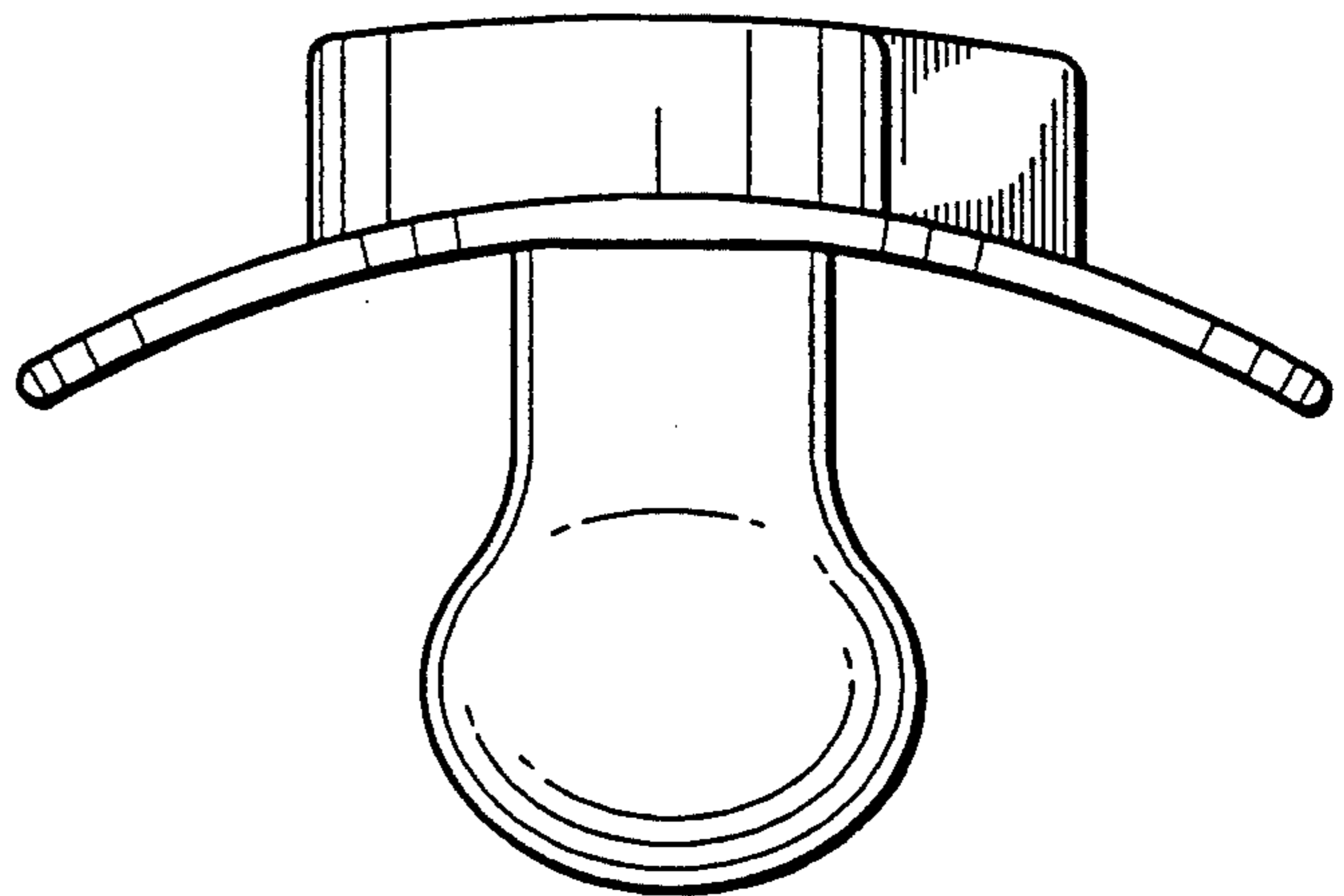


FIG. 7