



US00D337384S

United States Patent [19]
Schucman

[11] **Patent Number: Des. 337,384**

[45] **Date of Patent: ** Jul. 13, 1993**

[54] **LARYNGOSCOPE BLADE**
[75] **Inventor: Aaron Schucman, Netanya, Israel**
[73] **Assignee: Teleflex, Inc., Limerick, Pa.**
[**] **Term: 14 Years**
[21] **Appl. No.: 641,076**
[22] **Filed: Jan. 14, 1991**
[52] **U.S. Cl. D24/138; D24/137**
[58] **Field of Search D24/137; 128/10, 11, 128/16, 18**

4,958,624 9/1990 Stone et al. 128/11
5,003,962 4/1991 Choi 128/10 X
5,060,633 10/1991 Gibson 128/11

Primary Examiner—Stella Reid
Assistant Examiner—Ian Simmons
Attorney, Agent, or Firm—Rodgers & Rodgers

[57] **CLAIM**

The ornamental design for a laryngoscope blade, as shown.

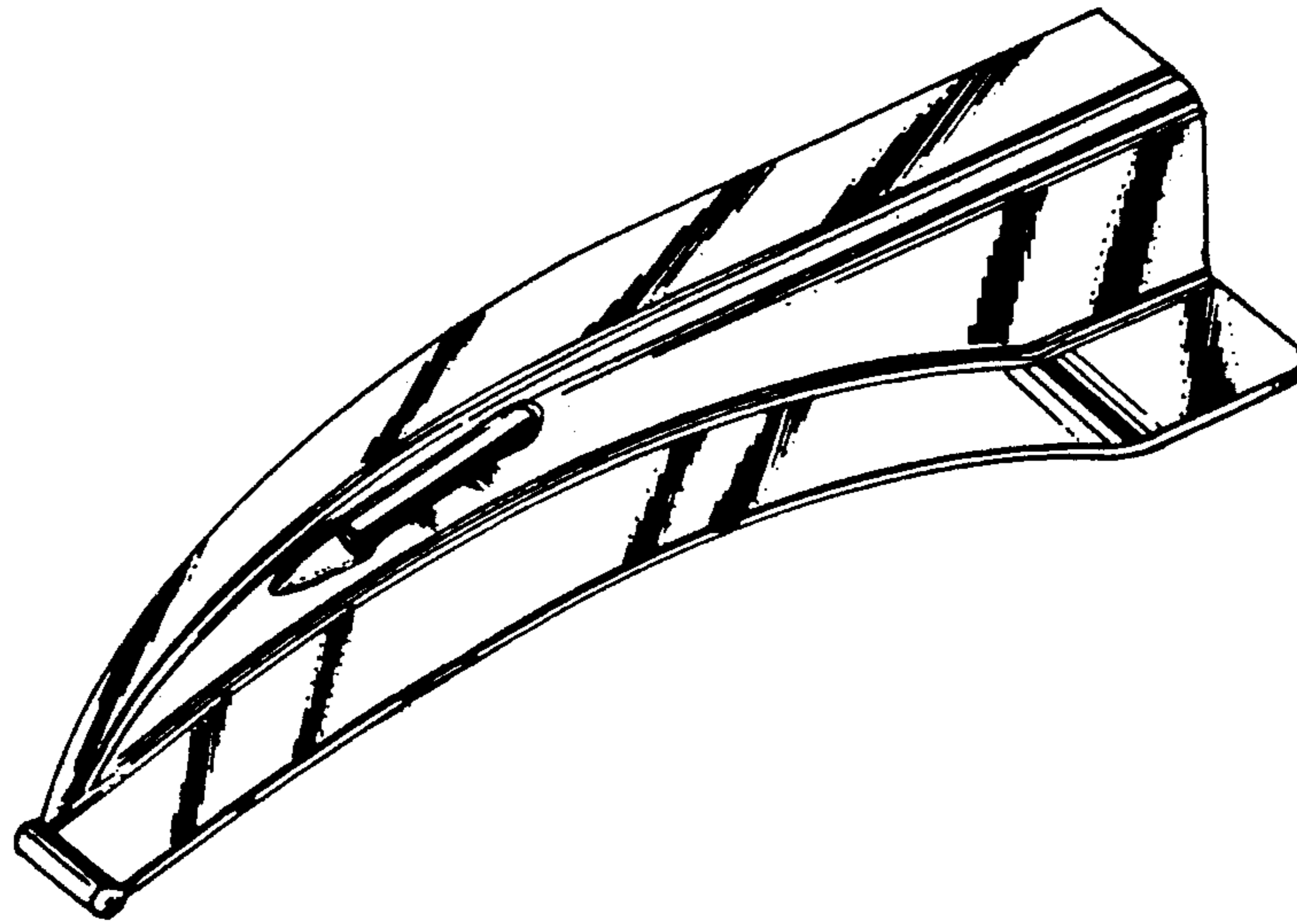
DESCRIPTION

FIG. 1 is a perspective view of a laryngoscope blade showing my new design;
FIG. 2 is a right side elevational view thereof;
FIG. 3 is a rear elevational view thereof;
FIG. 4 is a front elevational view thereof;
FIG. 5 is a left side elevational view thereof;
FIG. 6 is a top plan view thereof; and,
FIG. 7 is a bottom plan view thereof.

[56] **References Cited**

U.S. PATENT DOCUMENTS

D. 271,135 10/1983 Greenblatt D24/138
D. 297,363 8/1988 Salerno et al. D24/138
D. 312,308 11/1990 Abadir D24/138
D. 312,500 11/1990 Abadir D24/138



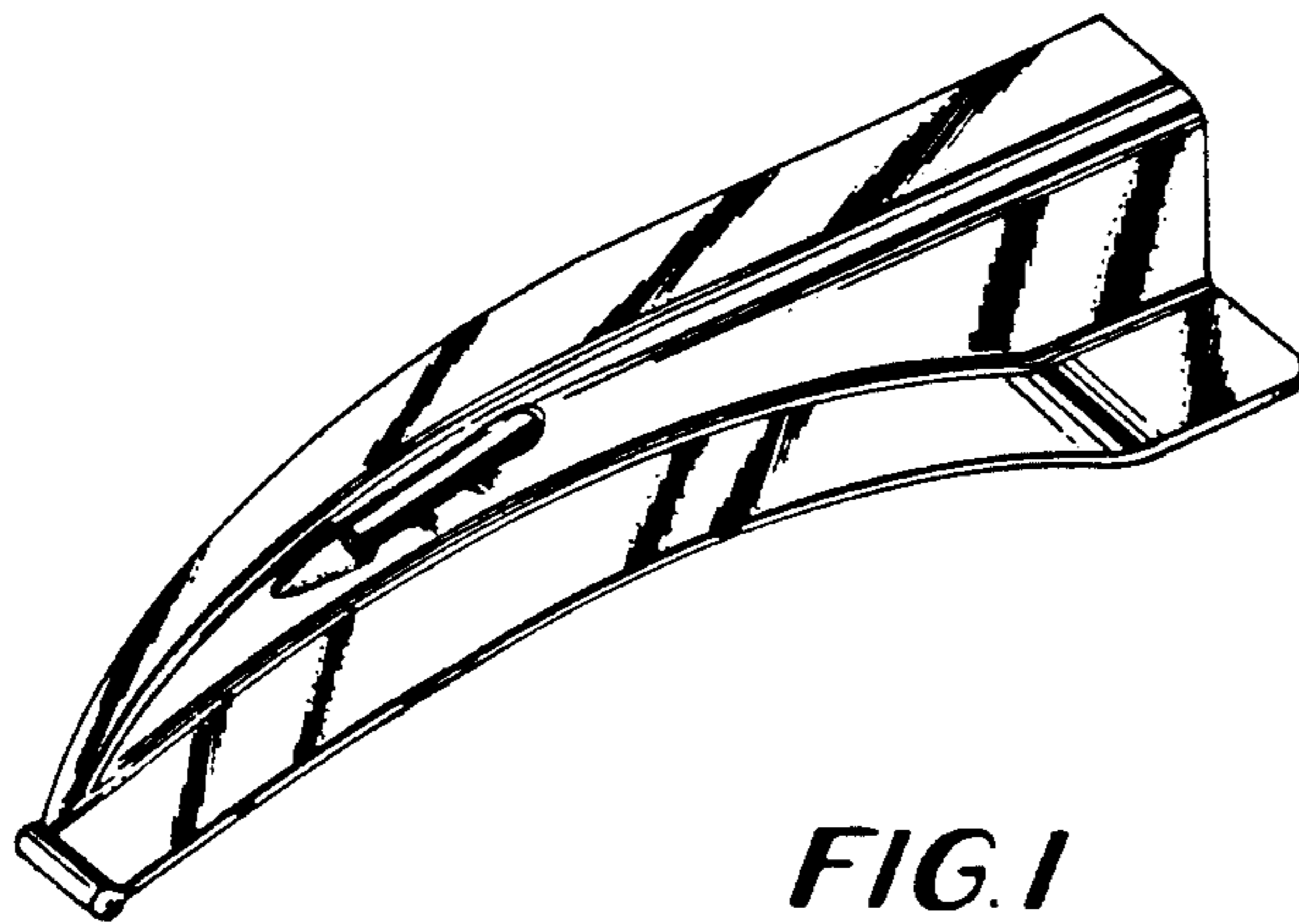


FIG. 1

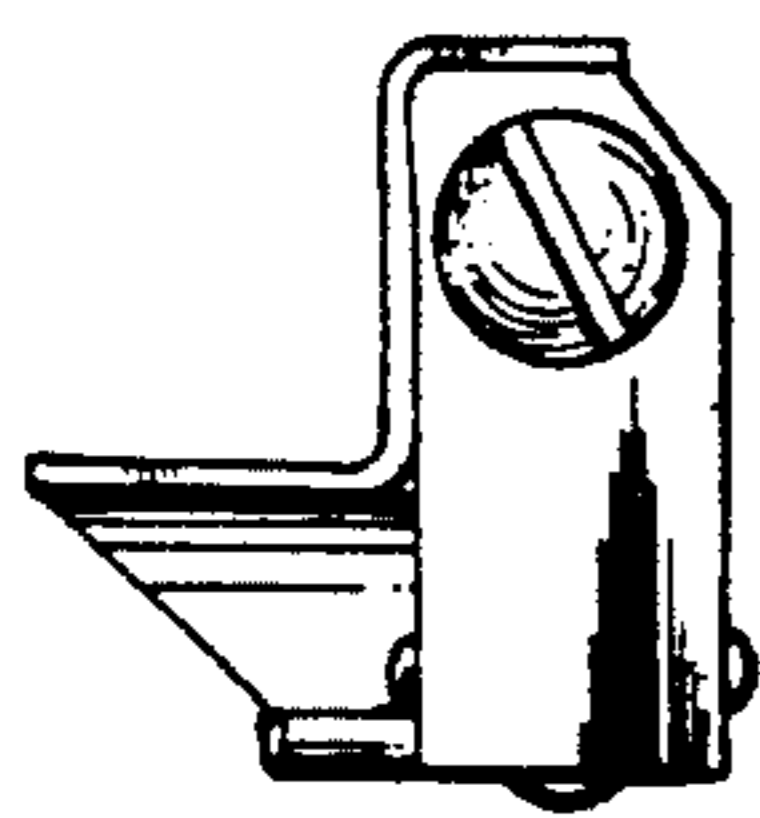


FIG. 2



FIG. 3

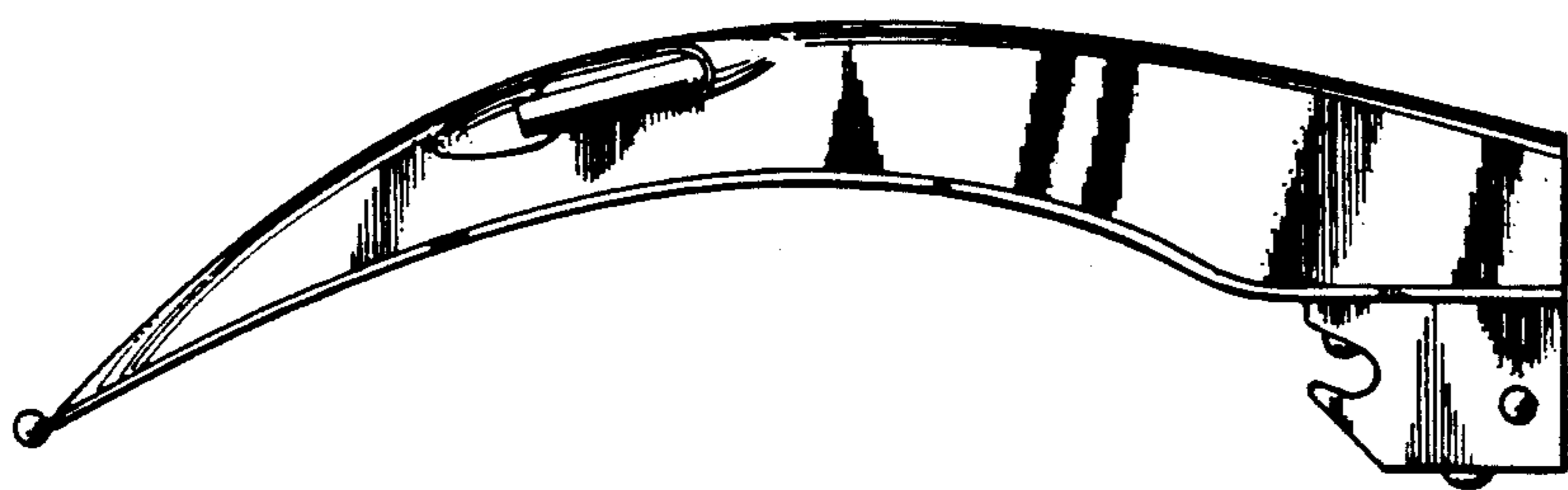


FIG. 4

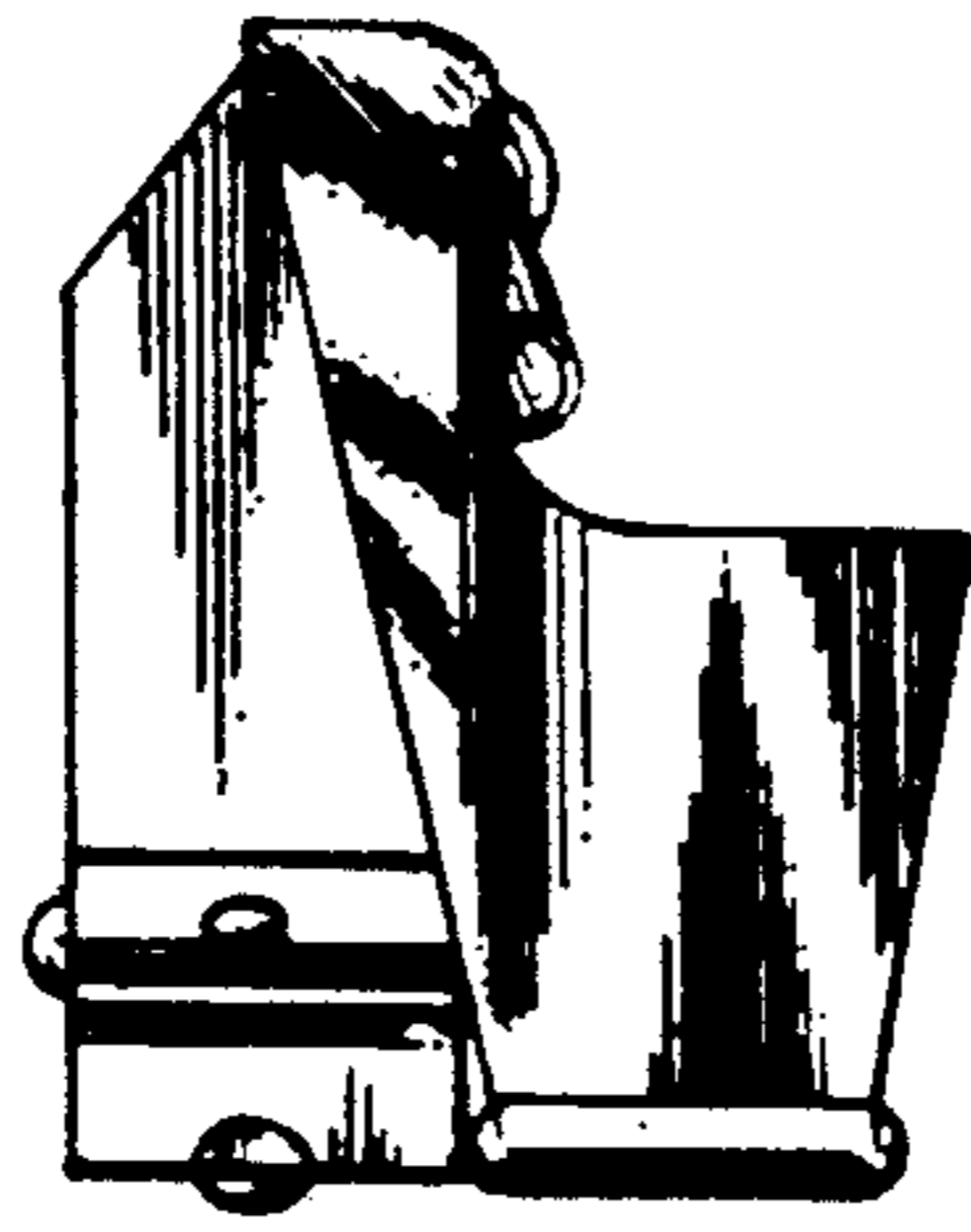


FIG. 5

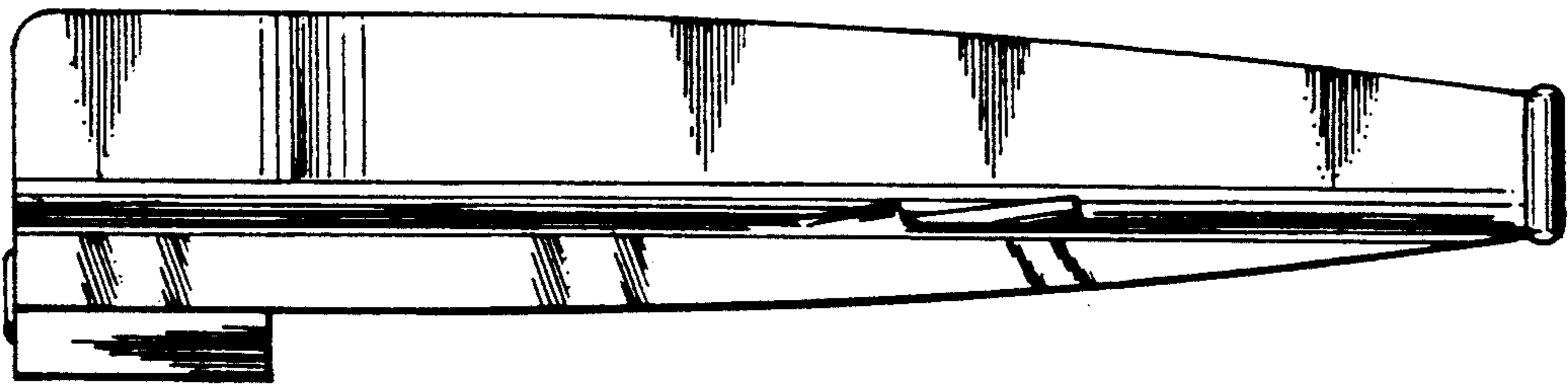


FIG. 6



FIG. 7