



US00D337383S

United States Patent [19]

[11] Patent Number: **Des. 337,383**

Smith

[45] Date of Patent: **** Jul. 13, 1993**

[54] **GUIDE FOR ADMINISTERING EYE DROPS**

4,834,727 5/1989 Cope 604/300
4,960,407 10/1990 Cope 604/300

[76] Inventor: **Ralph W. Smith**, 342 Bay Street,
Orillia Ontario, Canada, L3V-3X4

FOREIGN PATENT DOCUMENTS

[**] Term: **14 Years**

594860 of 1934 Fed. Rep. of Germany .
293065 of 1951 Spain .

[21] Appl. No.: **665,176**

Primary Examiner—A. Hugo Word
Assistant Examiner—I. Simmons
Attorney, Agent, or Firm—Terry M. Gernstein

[22] Filed: **Mar. 6, 1991**

[52] U.S. Cl. **D24/127; D24/112;**
D24/120; D24/140

[58] Field of Search **D24/108, 119, 120, 121,**
D24/128, 140; 604/300, 301, 302, 310

[57] CLAIM

The ornamental design for a guide for administering eye drops, as shown and described.

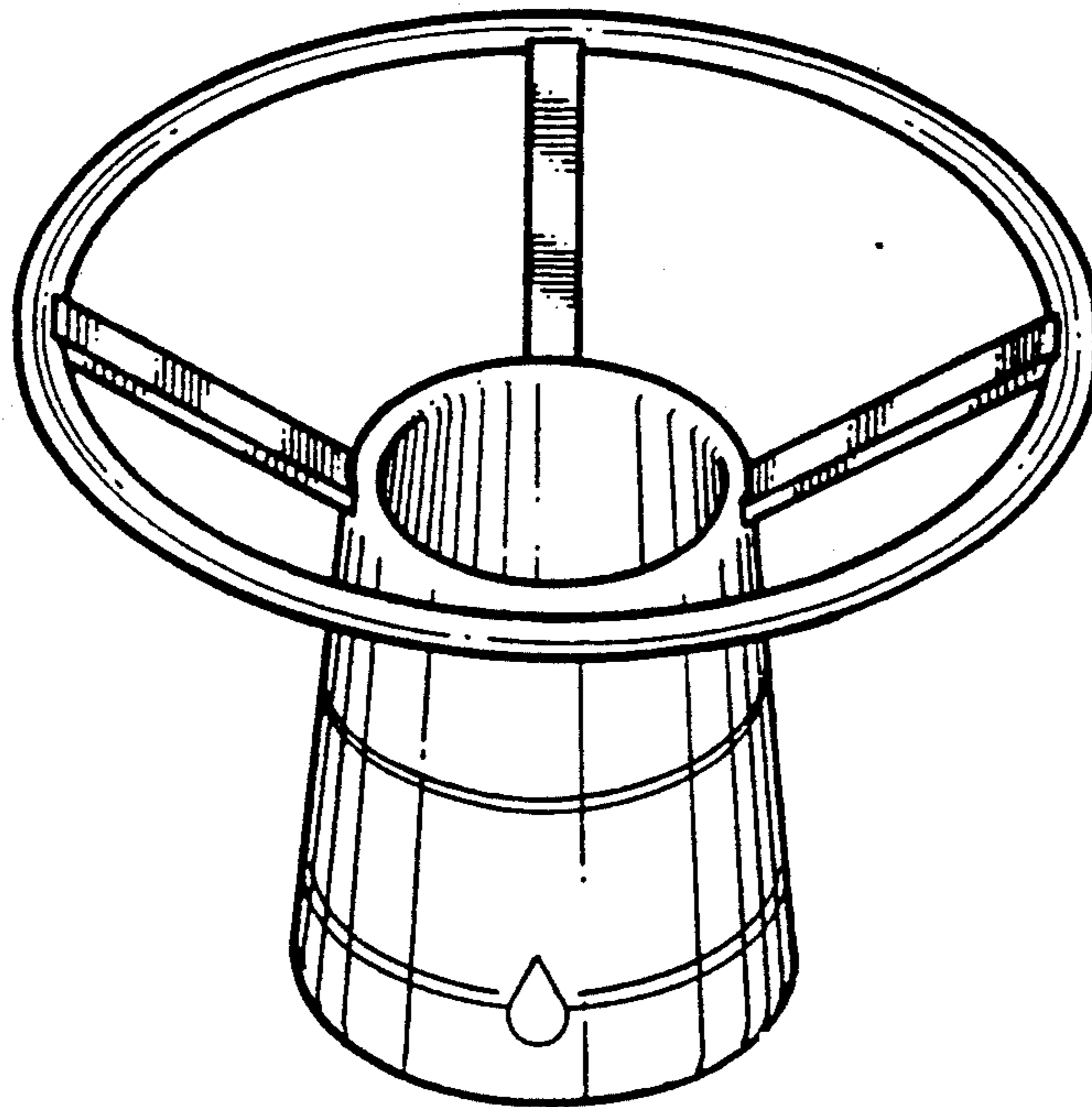
[56] References Cited

DESCRIPTION

U.S. PATENT DOCUMENTS

D. 242,491	11/1976	Campagna et al.	D24/127
D. 244,670	6/1977	Winikoff	D24/127
D. 249,709	9/1978	Trovinger .	
D. 286,571	11/1986	Jakub	D24/112
3,016,898	1/1962	Erwin	604/301 X
4,344,430	8/1982	Astrove .	
4,543,096	9/1985	Keene .	
4,733,802	3/1988	Sheldon	604/302 X

FIG. 1 is a perspective view of a guide for administering eye drops showing my new design;
FIG. 2 is a front elevational view thereof, the rear elevational view being a mirror image thereto;
FIG. 3 is a side elevational view thereof, the opposite side elevational view being a mirror image thereto;
FIG. 4 is a top plan view thereof; and,
FIG. 5 is a bottom plan view.



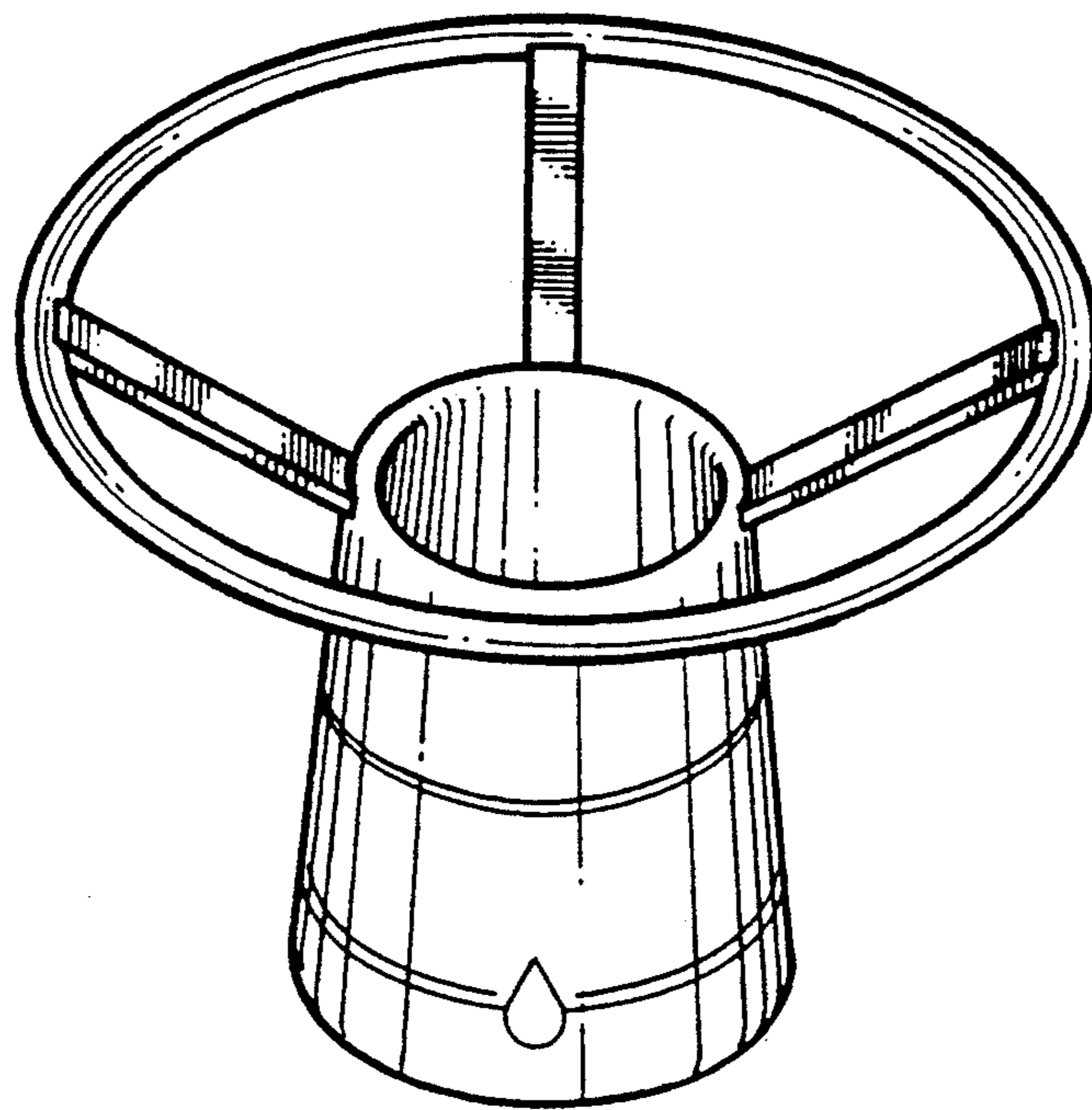


FIG. 1

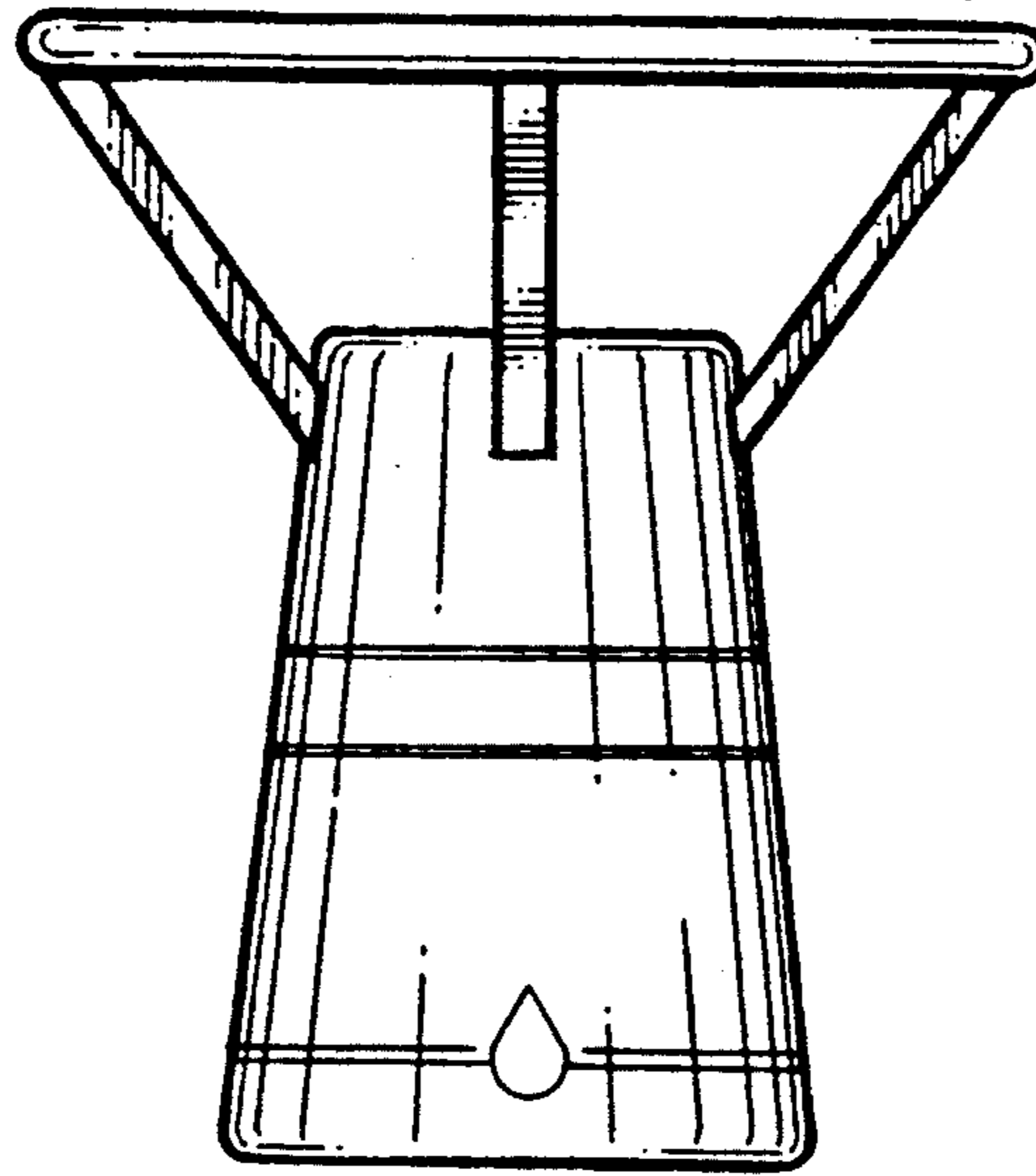


FIG. 2

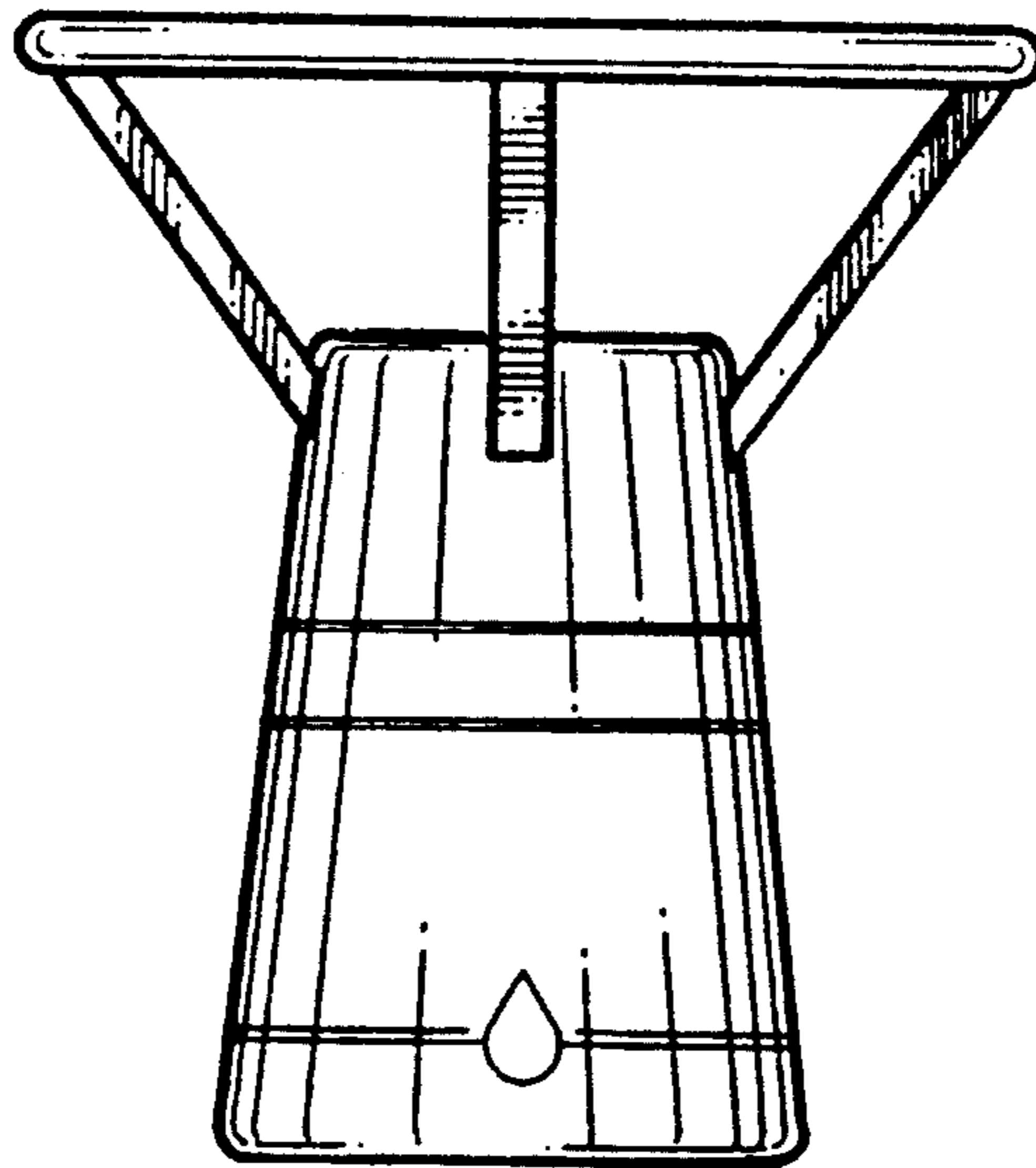


FIG. 3

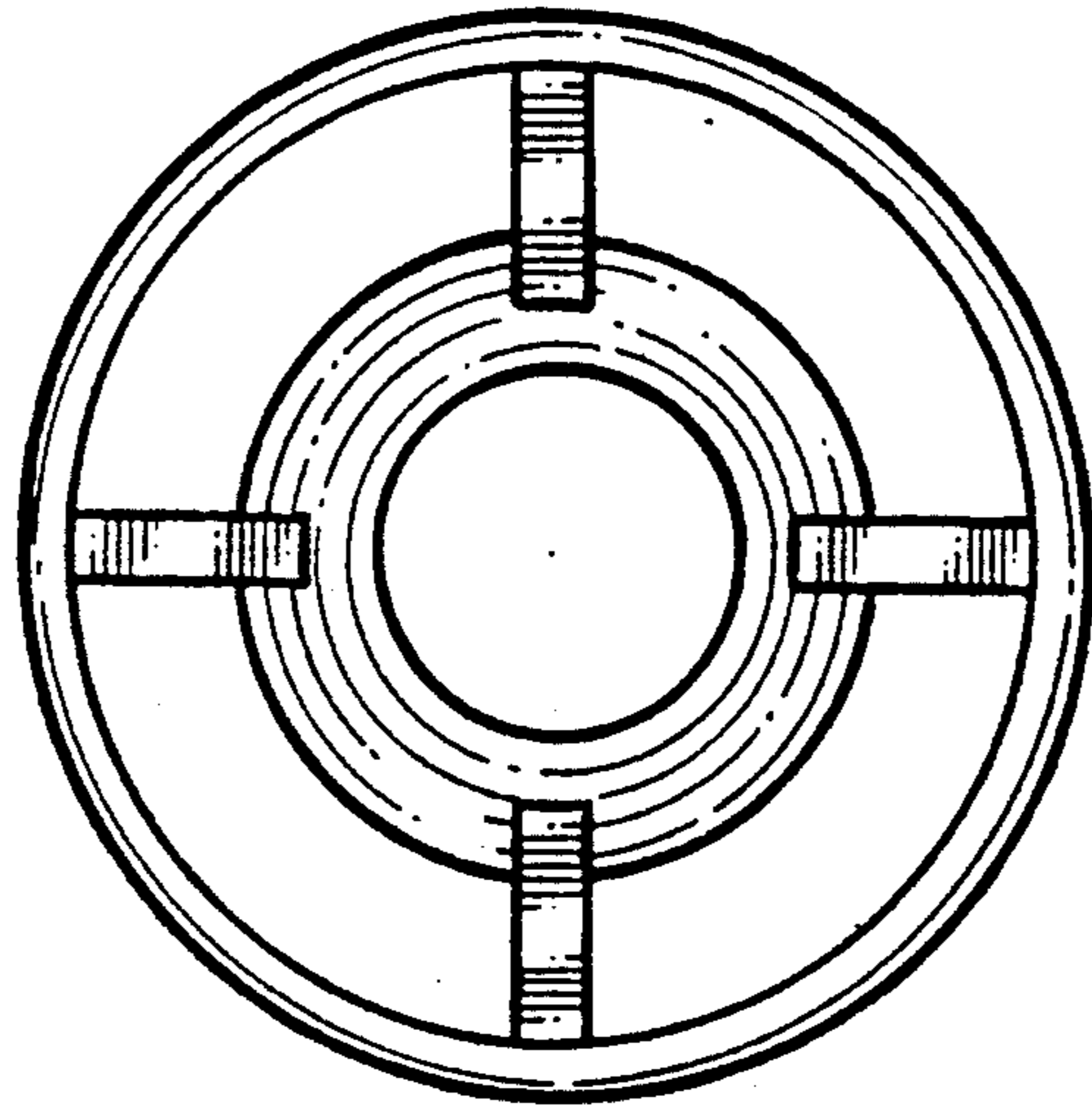


FIG. 4

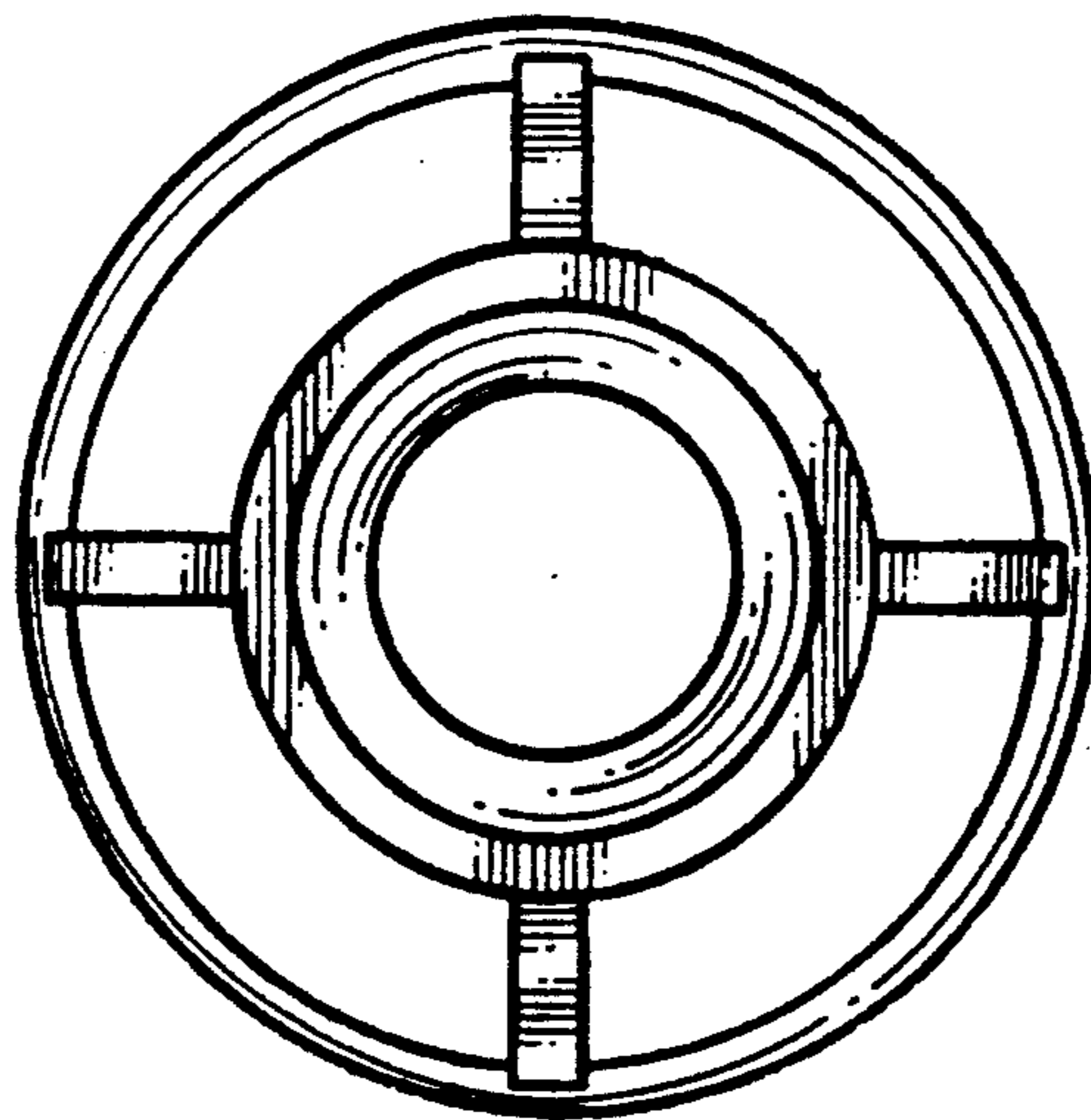


FIG. 5