



US00D337375S

United States Patent [19]

[11] Patent Number: **Des. 337,375**

Bengtson et al.

[45] Date of Patent: **** Jul. 13, 1993**

- [54] **BASE FOR A BATHING ENCLOSURE**
- [75] Inventors: **Alan D. Bengtson, Sheboygan; David J. O'Connell, Sturgeon Bay, both of Wis.**
- [73] Assignee: **Kohler Co., Kohler, Wis.**
- [**] Term: **14 Years**
- [21] Appl. No.: **639,951**
- [22] Filed: **Jan. 11, 1991**
- [52] U.S. Cl. **D23/283**
- [58] Field of Search **D23/270, 271, 273, 275, D23/277-283, 303-307; D24/201-205; 4/538, 541.1-541.6, 557, 559, 560.1-566.1, 571.1-578.1, 584, 589, 590, 596, 640, 611, 612, 614, 621, 622, 675**

[56] **References Cited**

U.S. PATENT DOCUMENTS

D. 96,509	8/1935	Reed, Jr.	D23/281
D. 204,126	3/1966	Brenner .	
D. 208,967	10/1967	Wolske	D23/283
D. 217,867	6/1970	Myers	D23/283
D. 253,124	10/1979	Primault .	
D. 274,641	7/1984	Griffiths	D23/281
D. 276,362	11/1984	Griffiths	D23/281
D. 299,164	12/1988	Burgess et al. .	
D. 299,523	1/1989	Poulin	D23/283
1,844,988	2/1932	Steinkamp	D23/277 X
1,970,514	12/1933	Steinkamp	4/590
2,508,969	5/1950	Richardson .	
2,589,281	3/1952	Ocana .	
3,096,526	7/1963	Vecenie .	
3,297,025	1/1967	Jacuzzi	4/541.4

FOREIGN PATENT DOCUMENTS

57461 11/1986 Canada .

OTHER PUBLICATIONS

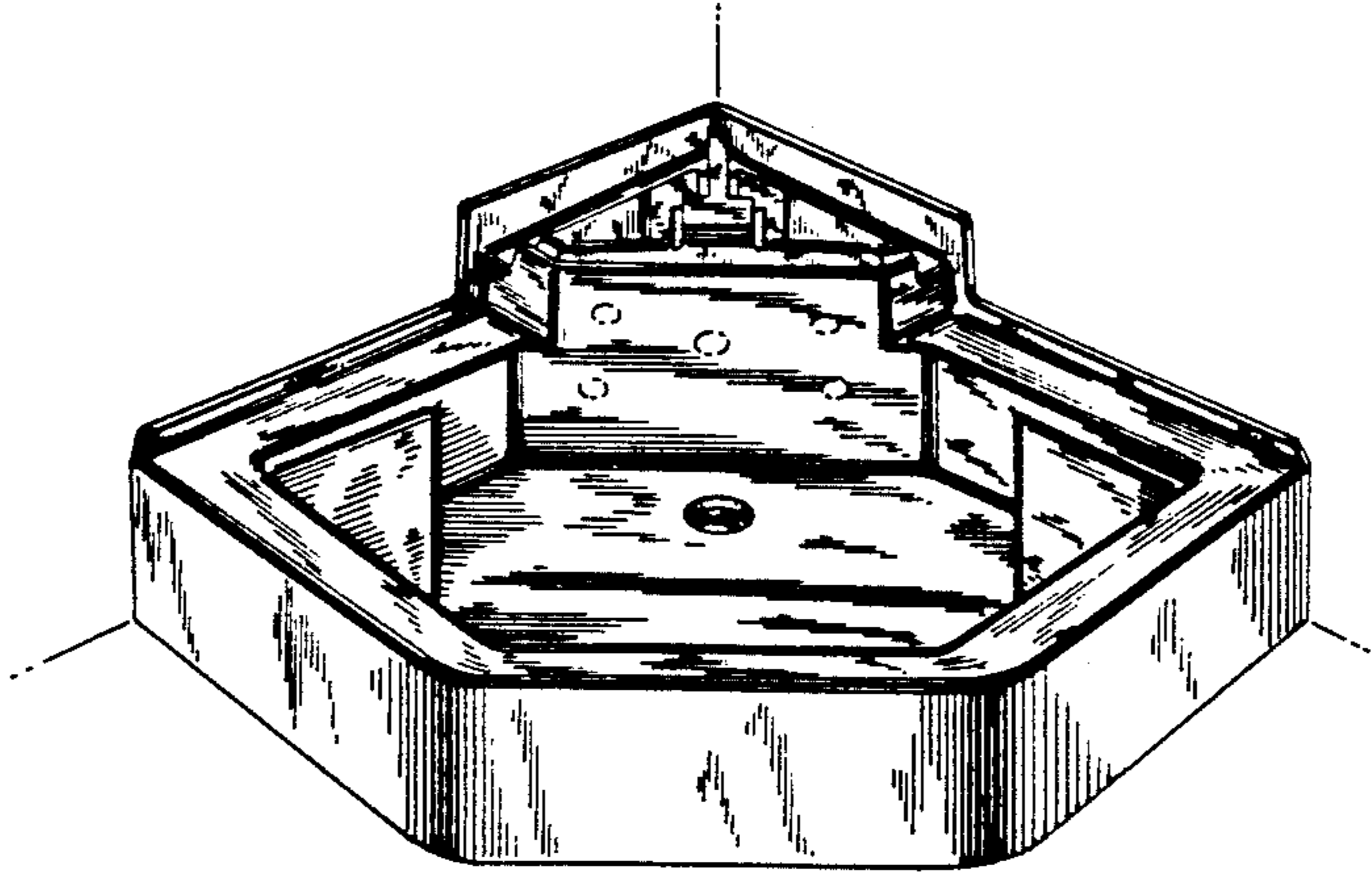
An undated (admitted prior art) Jacob Delafon ad showing the Hydra shower tray.
 P. 7-14a of a 1988 Kohler catalog showing the Neo Angle Profile shower.
 A Clarke ad entitled "Acrylic Whirlpools . . ." undated, admitted prior art.
 An Itema ad for a shower cubicle, undated, admitted prior art.

Primary Examiner—James R. Largen
Attorney, Agent, or Firm—Quarles & Brady

[57] **CLAIM**
 The ornamental design for a base for a bathing enclosure, as shown and described.

DESCRIPTION

FIG. 1 is a perspective view taken from the top and front of a base for a bathing enclosure showing our new design;
 FIG. 2 is a left side elevational view thereof;
 FIG. 3 is a top plan view thereof;
 FIG. 4 is a cross-sectional view taken on line 4—4 of FIG. 3;
 FIG. 5 is a cross-sectional view taken on line 5—5 of FIG. 3;
 FIG. 6 is a fragmentary cross-sectional view taken on line 6—6 of FIG. 3;
 FIG. 7 is a perspective view taken from the top and front of FIG. 1 showing the combined seat support and access cover removed;
 FIG. 8 is a perspective view taken from the top and front of a second embodiment thereof;
 FIG. 9 is a left side elevational view of FIG. 8;
 FIG. 10 is a top plan view of FIG. 9;
 FIG. 11 is a cross-sectional view taken on line 11—11 of FIG. 10;
 FIG. 12 is a cross-sectional view taken on line 12—12 of FIG. 10;
 FIG. 13 is a perspective view taken from the top and front of FIG. 8 showing the combined seat support and access cover removed;
 FIG. 14 is a perspective view taken from the top and front of a third embodiment thereof;
 FIG. 15 is a left side elevational view of FIG. 14;
 FIG. 16 is a top plan view of FIG. 14;
 FIG. 17 is a cross-sectional view taken on line 17—17 of FIG. 16;
 FIG. 18 is a cross-sectional view taken on line 18—18 of FIG. 16; and,
 FIG. 19 is a perspective view taken from the top and front of FIG. 14 showing the combined seat support and access cover removed.
 The broken line representation of openings in FIGS. 1, 7, 8, 13, 14 and 19 and the fragmentary broken line representation of bathroom walls in FIGS. 1, 7, 8, 13, 14 and 19 are for purposes of illustration only and form no part of the claimed design.



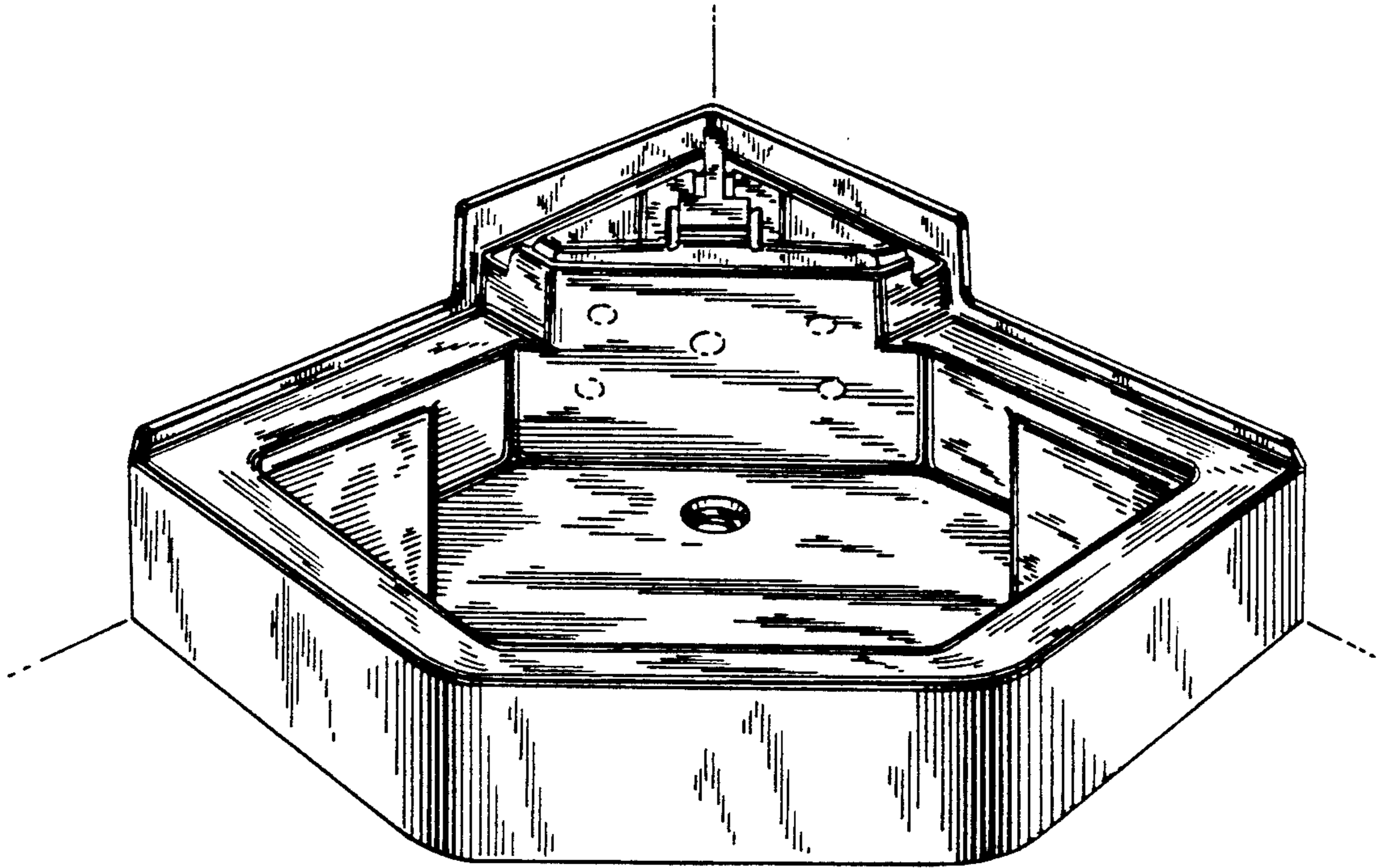


FIG. 1

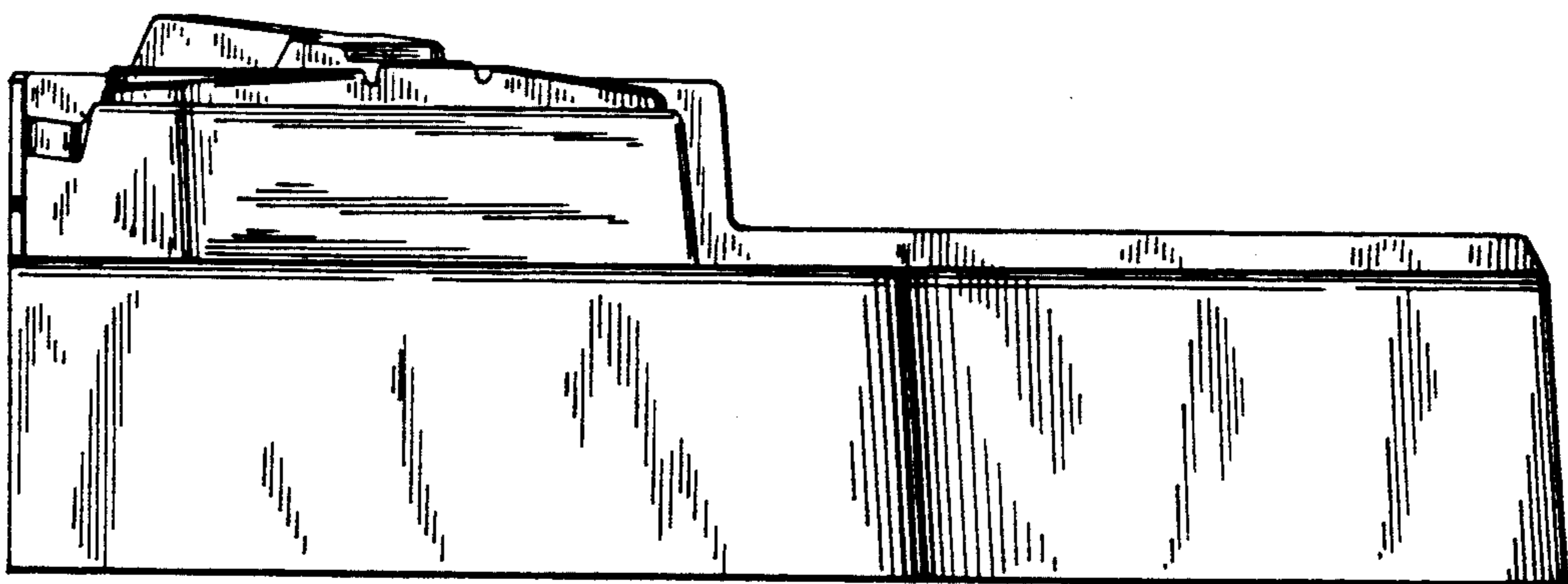


FIG. 2

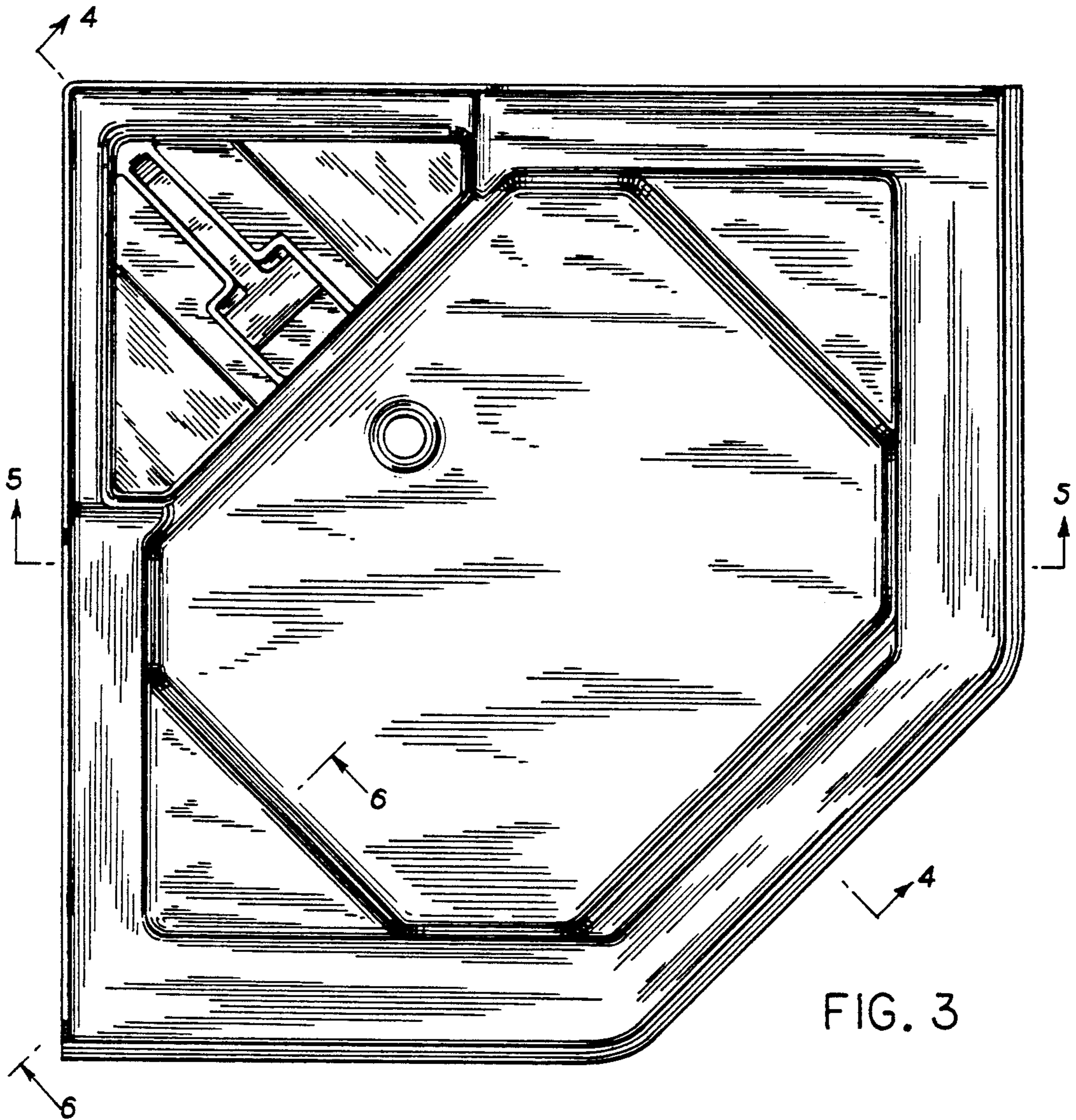


FIG. 3

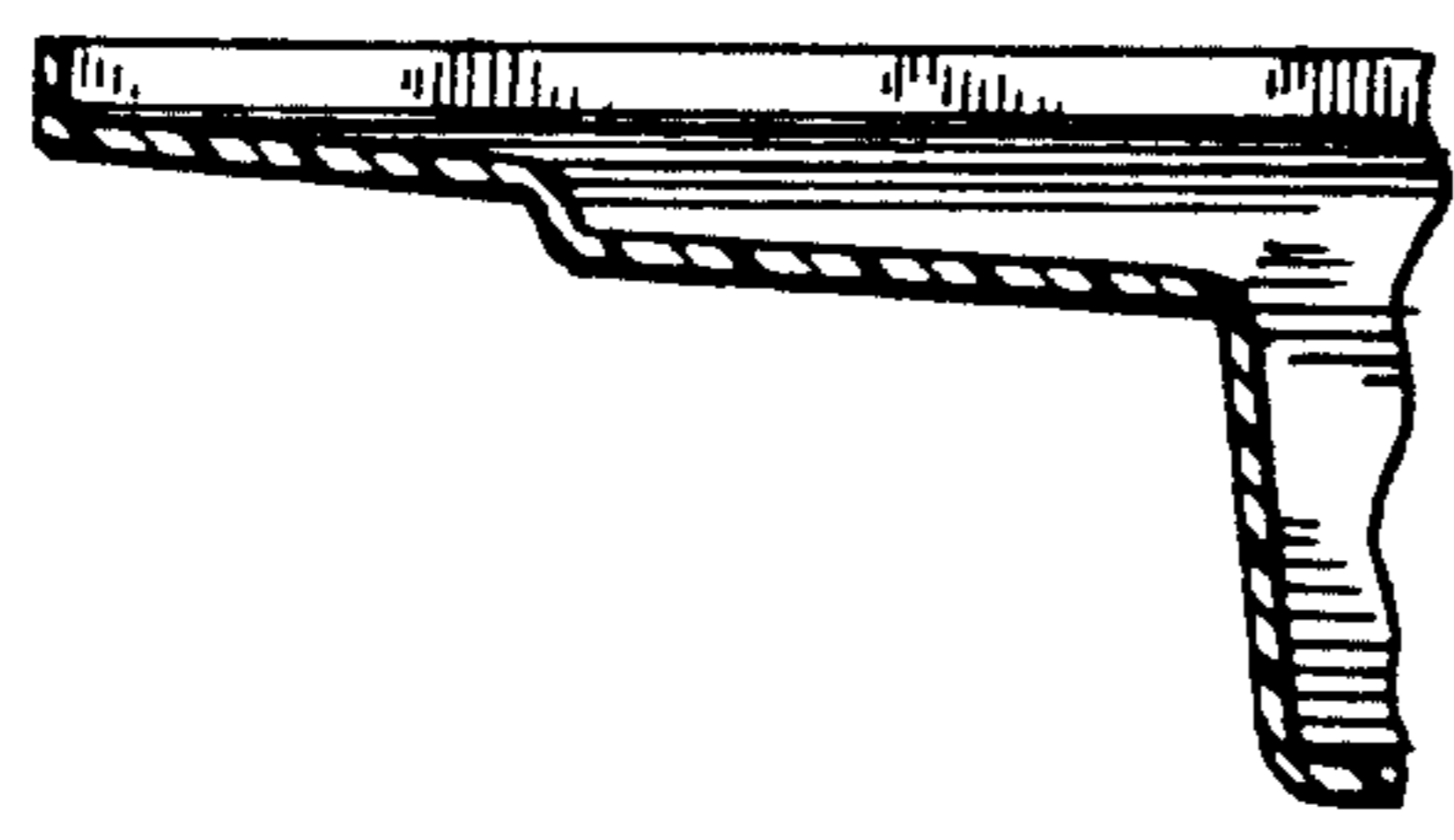


FIG. 6

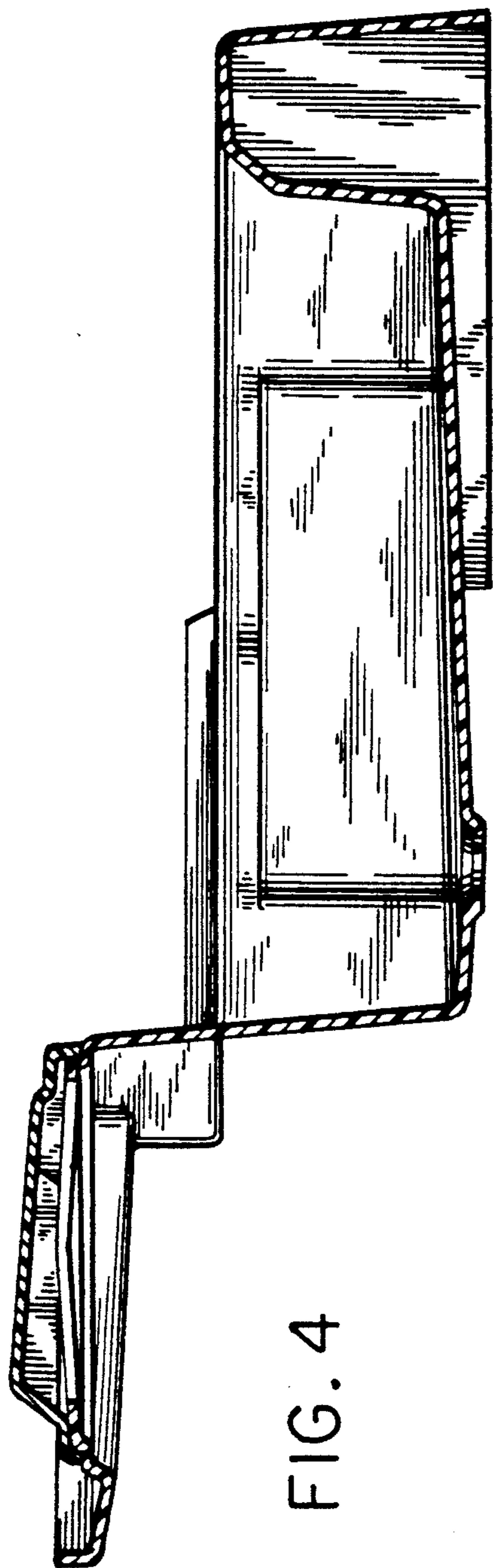


FIG. 4

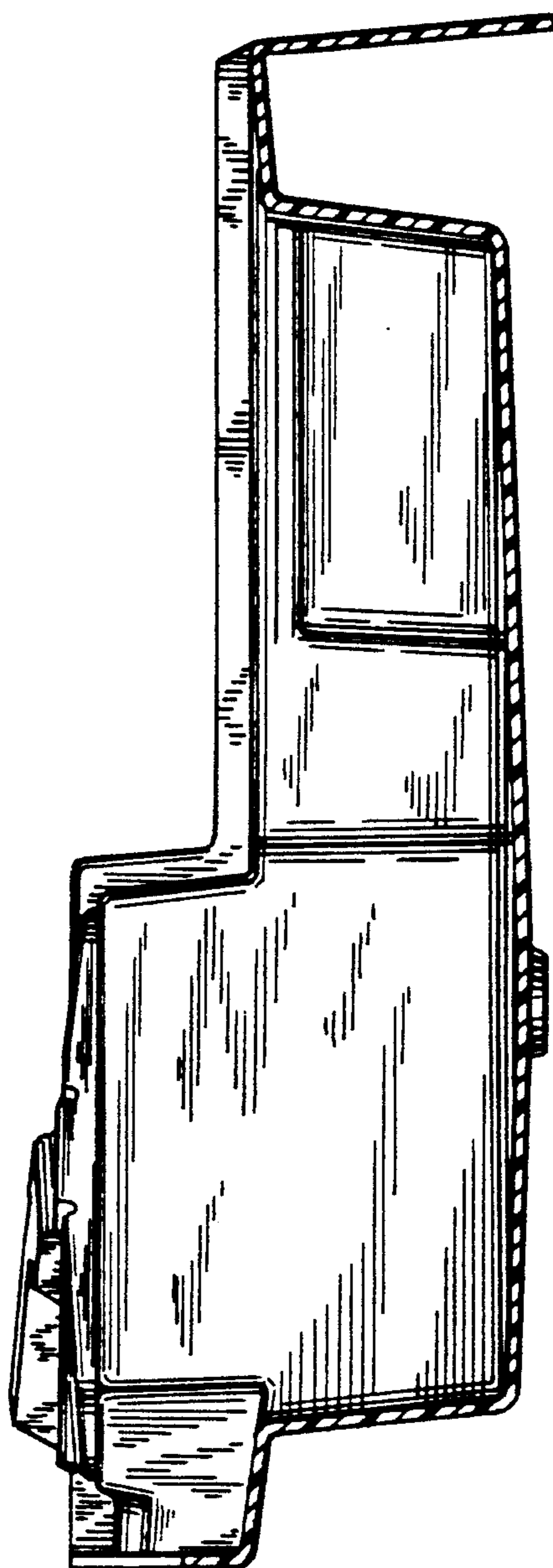


FIG. 5

FIG. 7

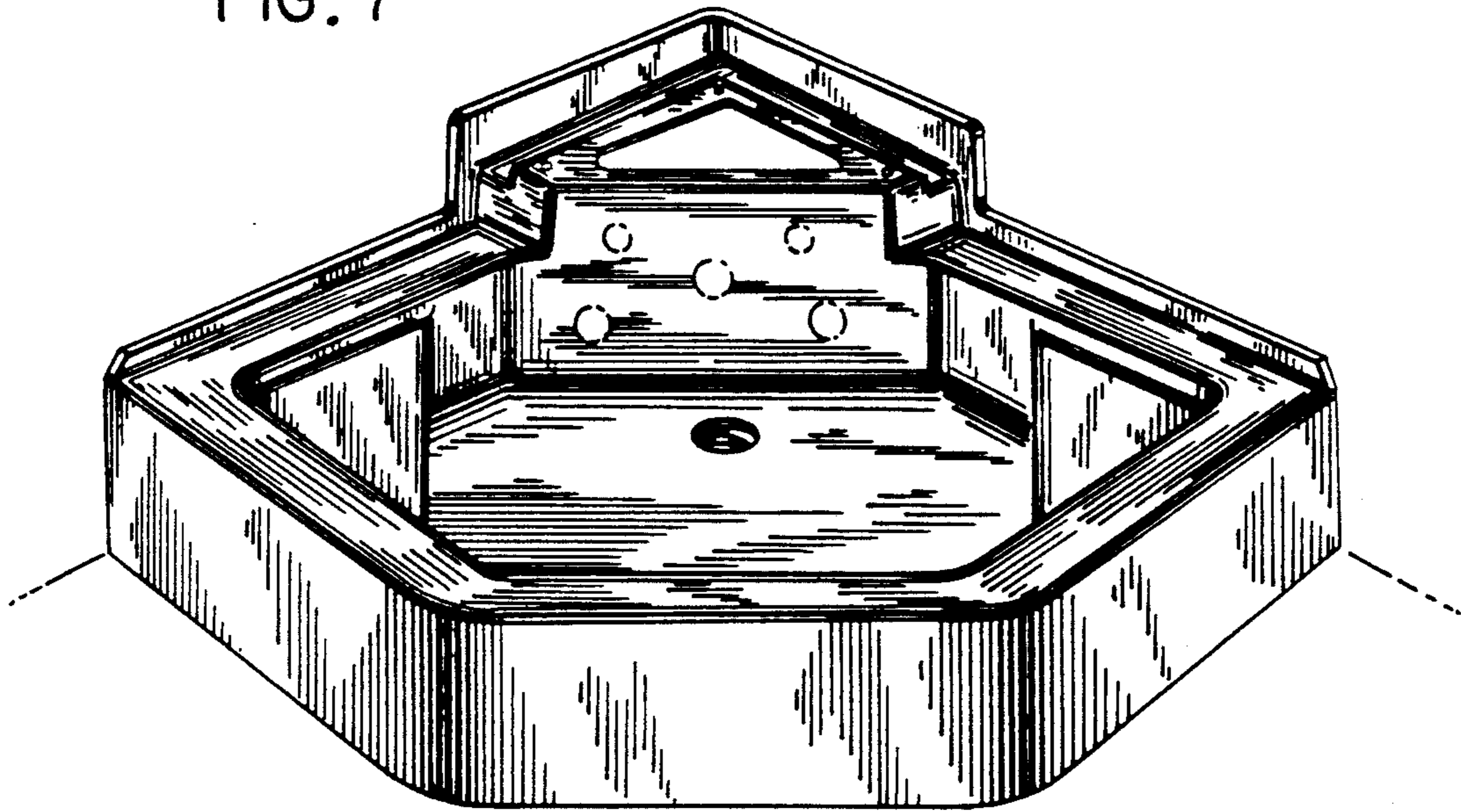
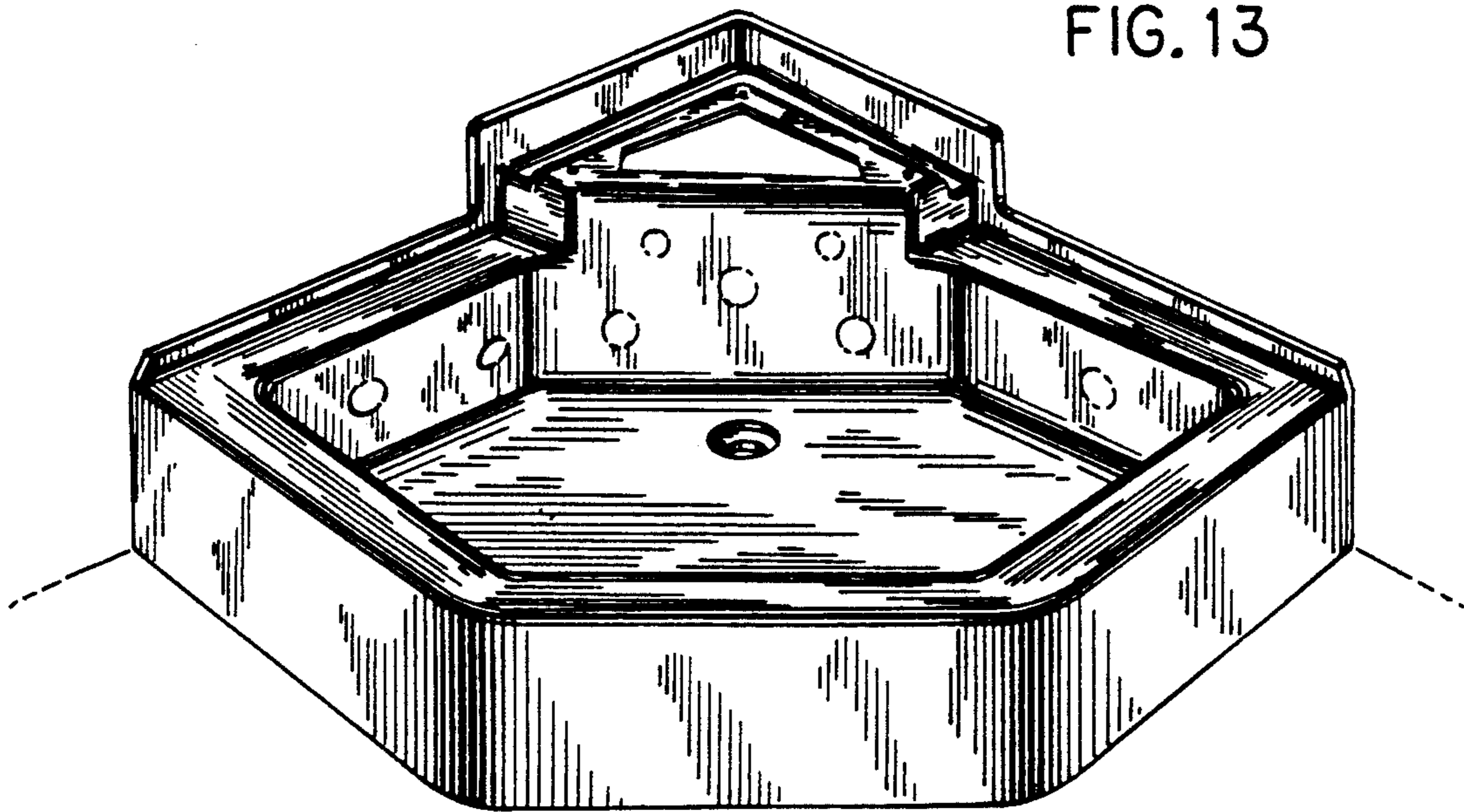


FIG. 13



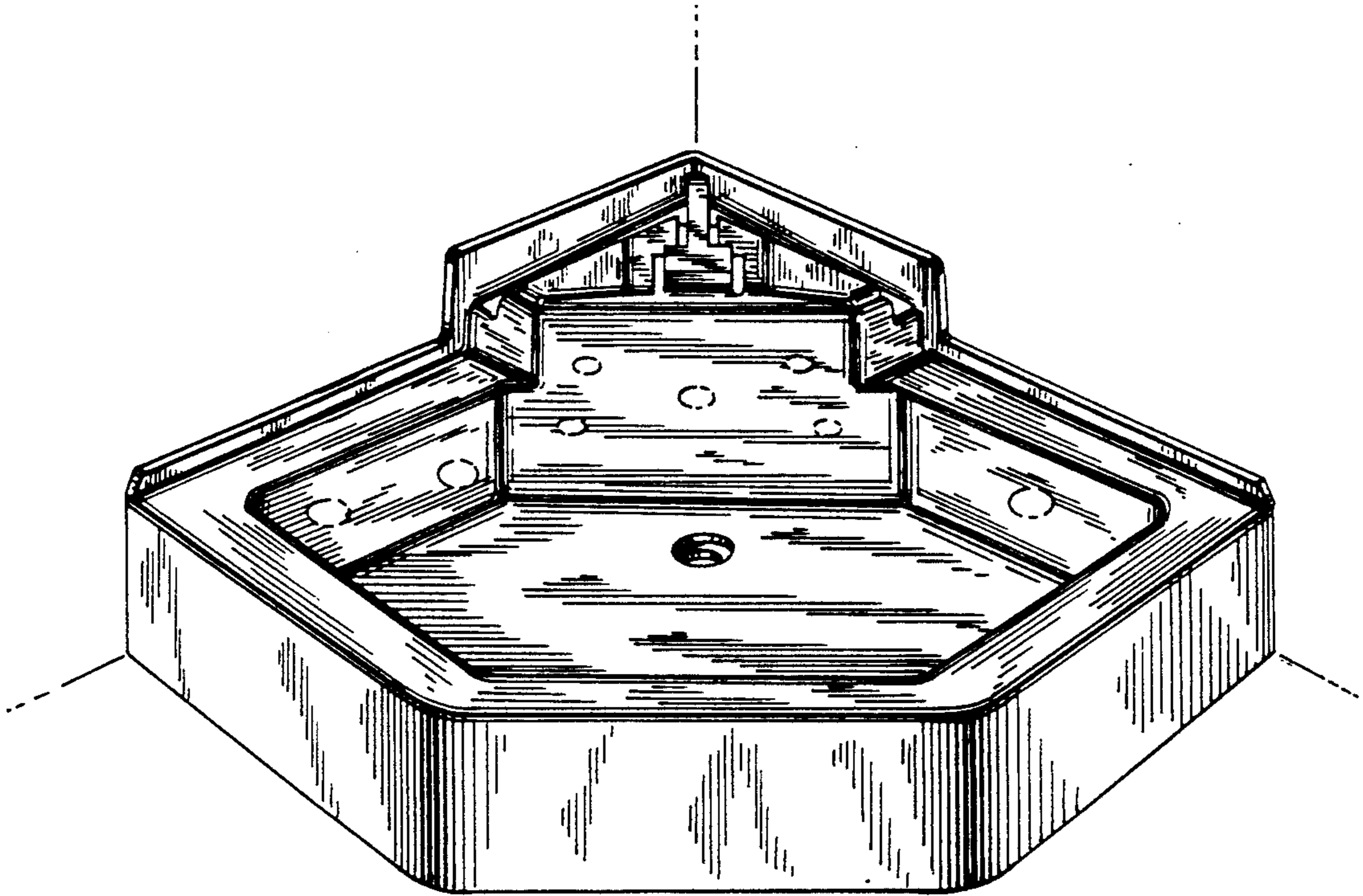


FIG. 8

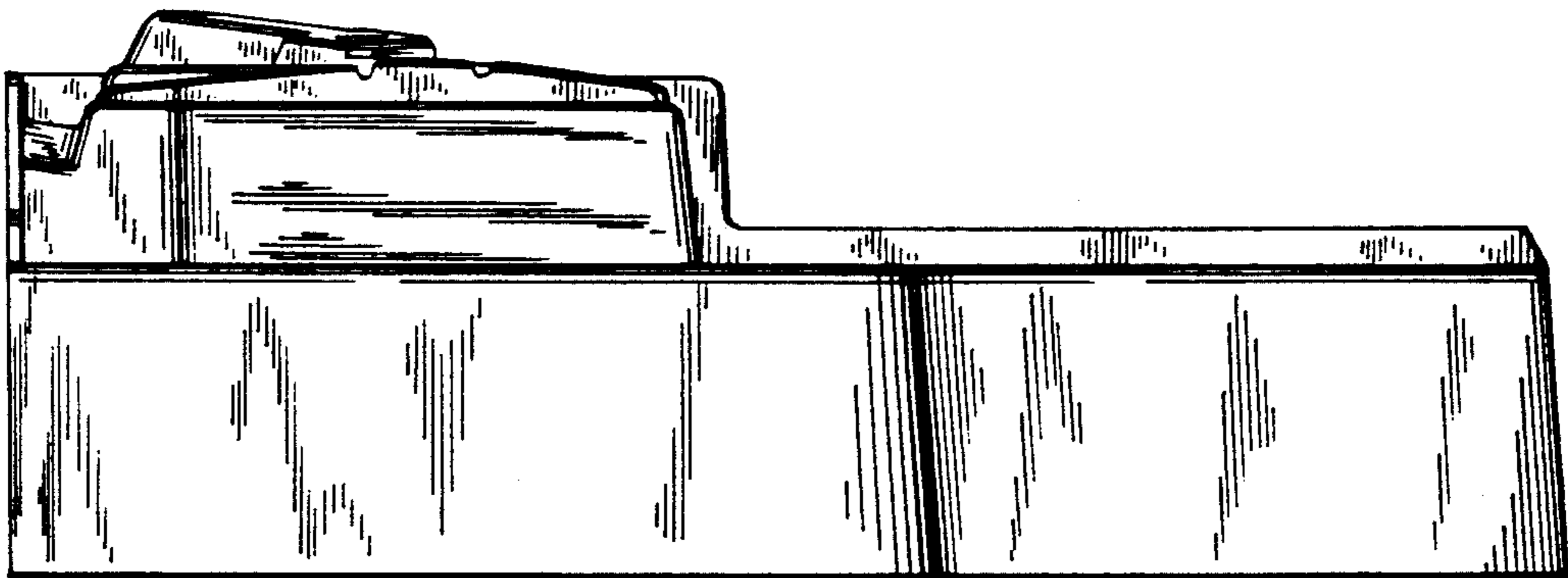


FIG. 9

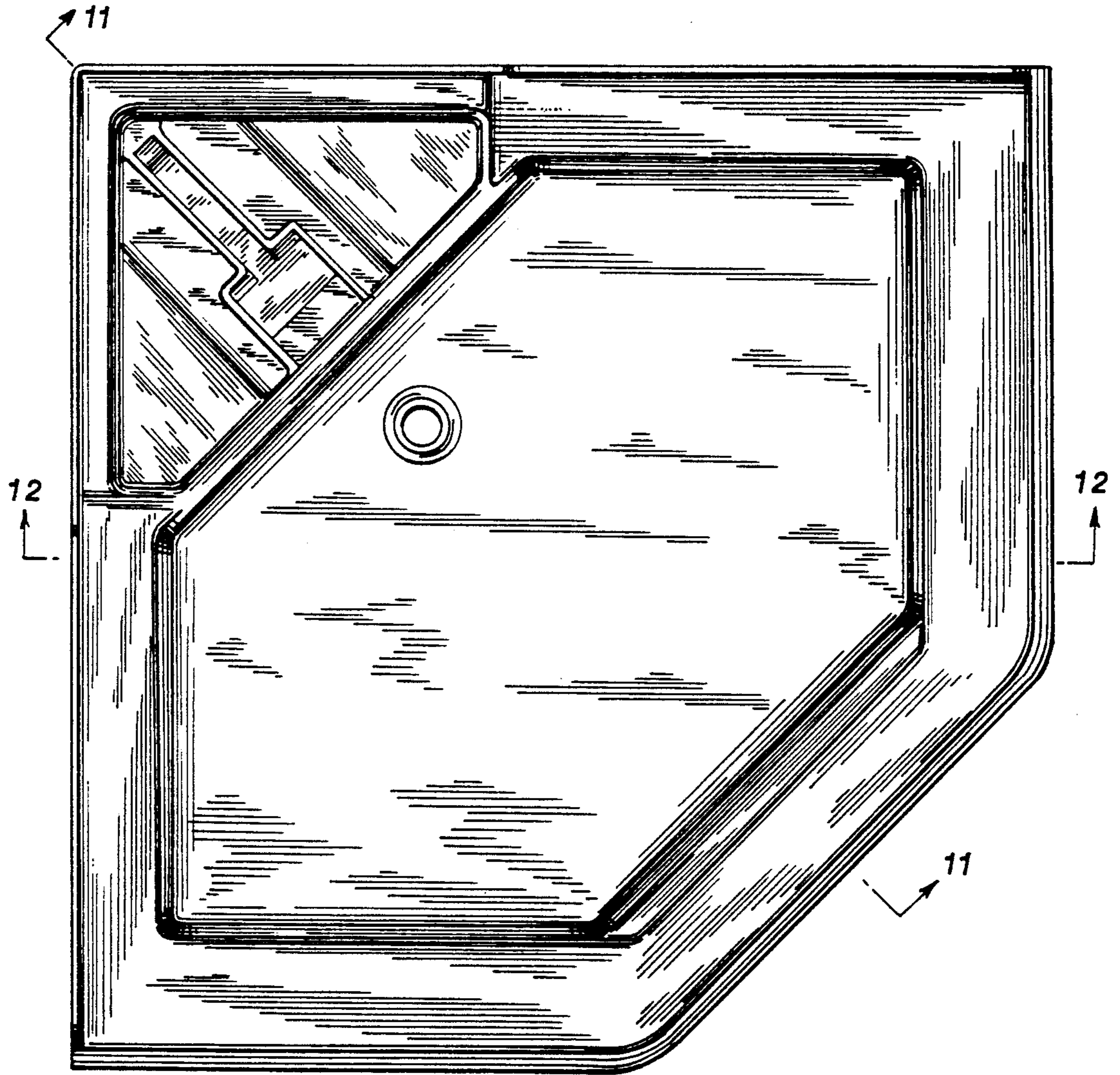


FIG. 10

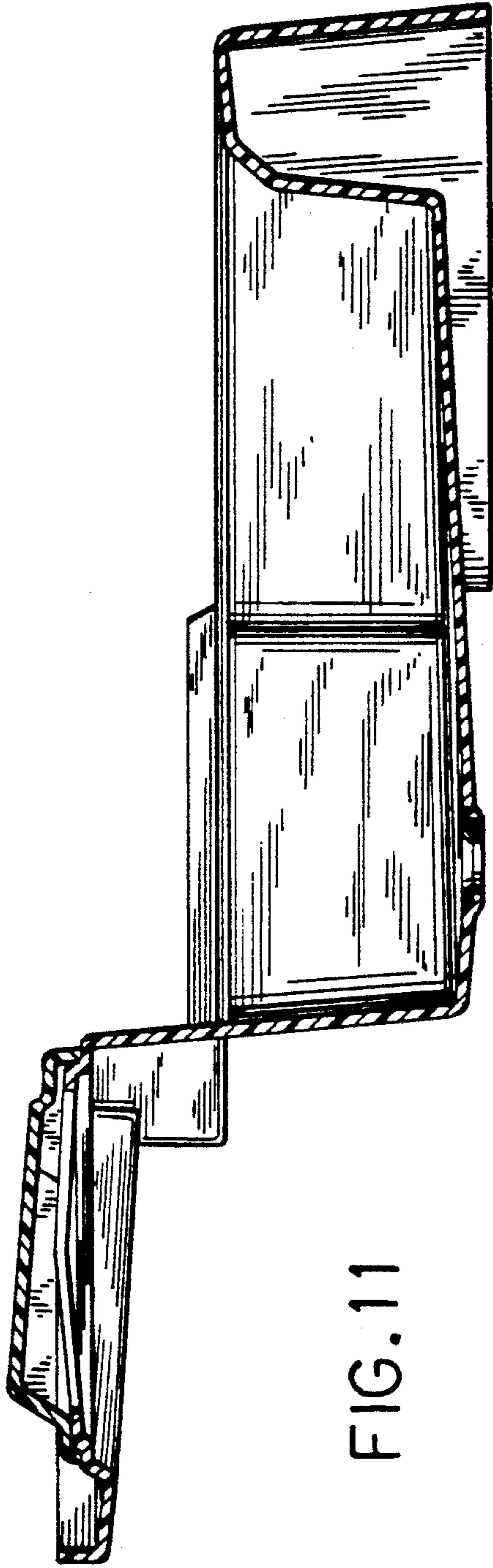


FIG. 11

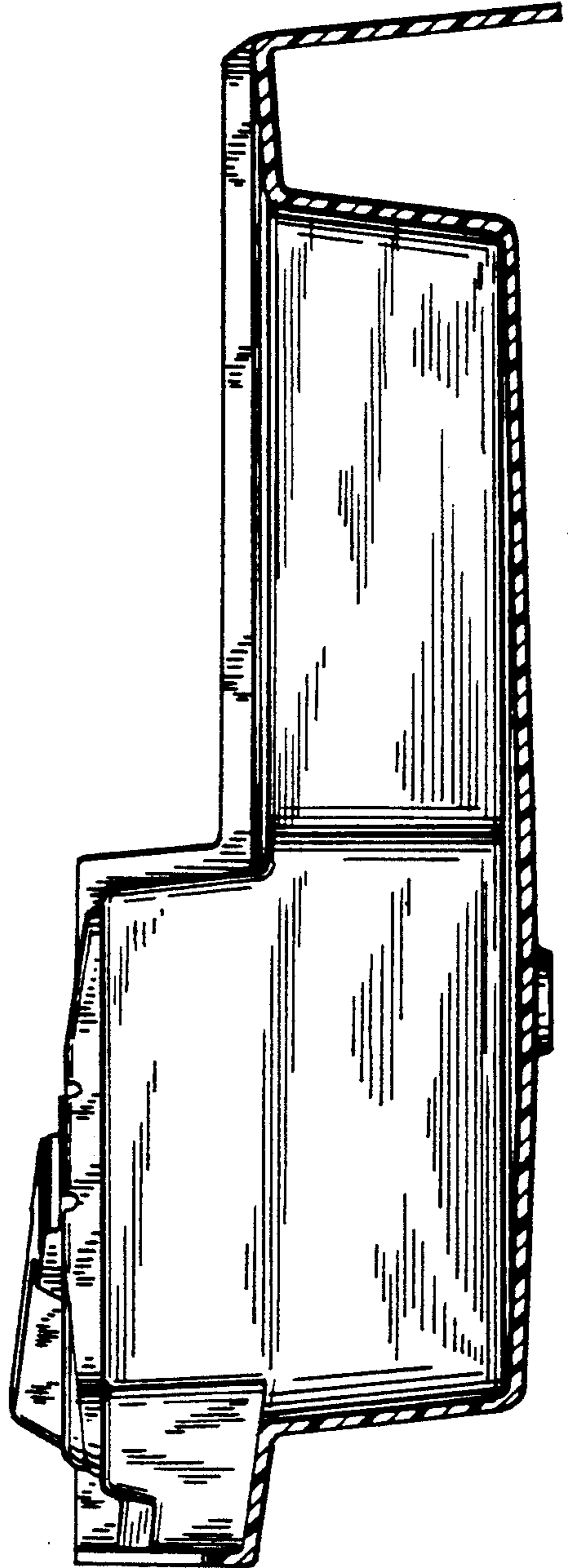


FIG. 12

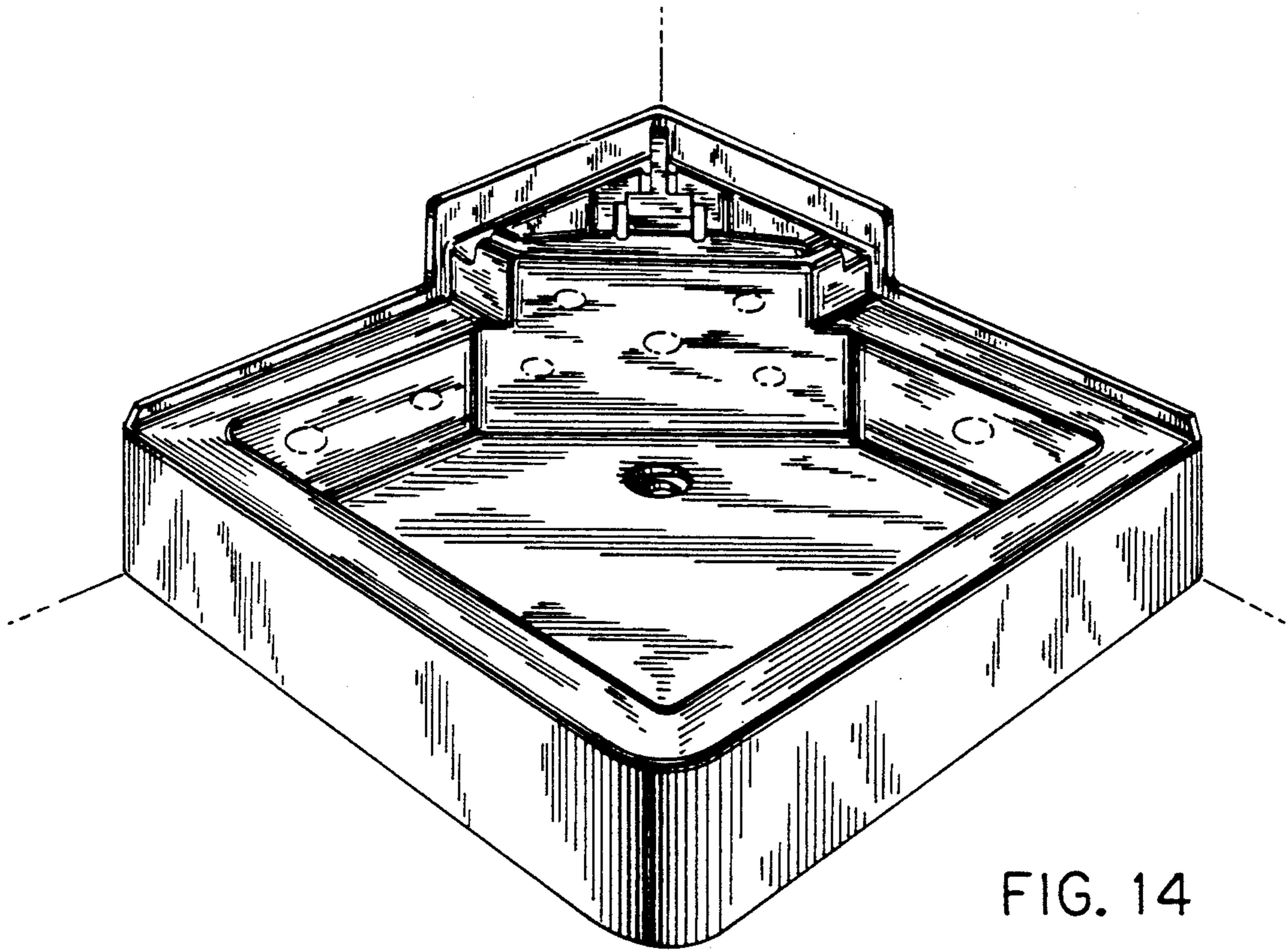


FIG. 14

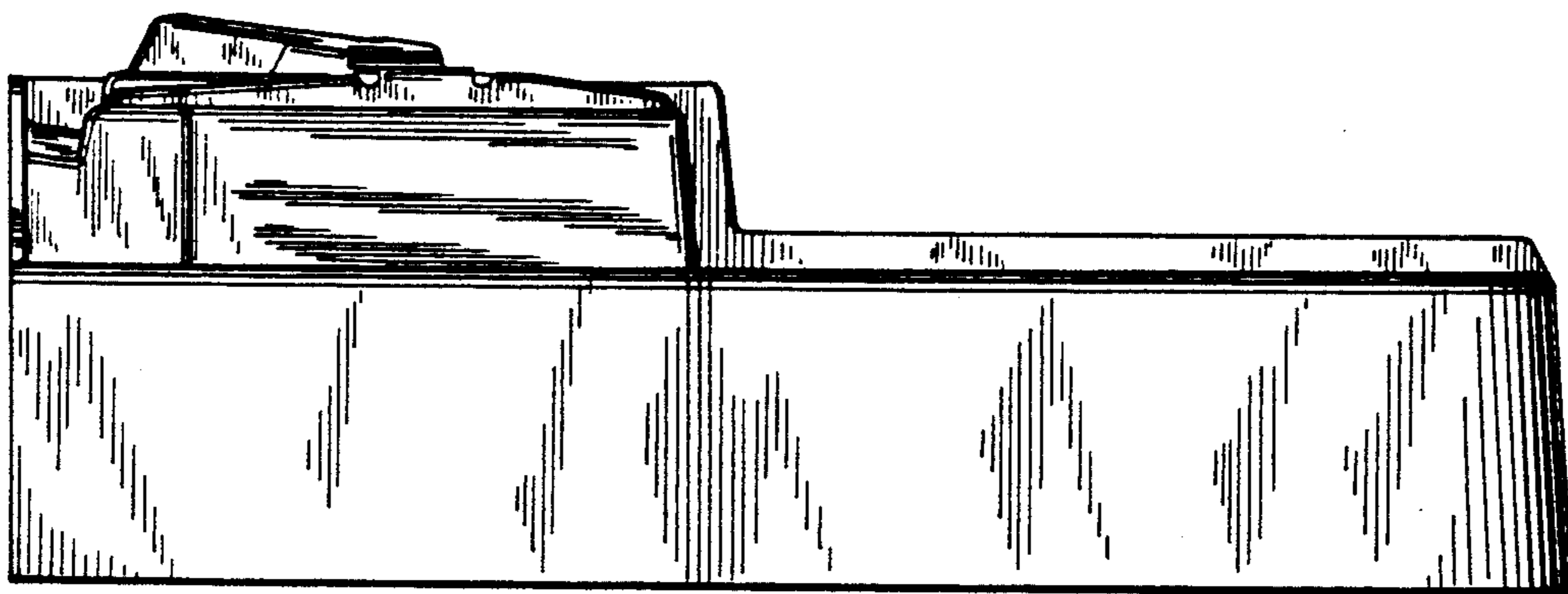


FIG. 15

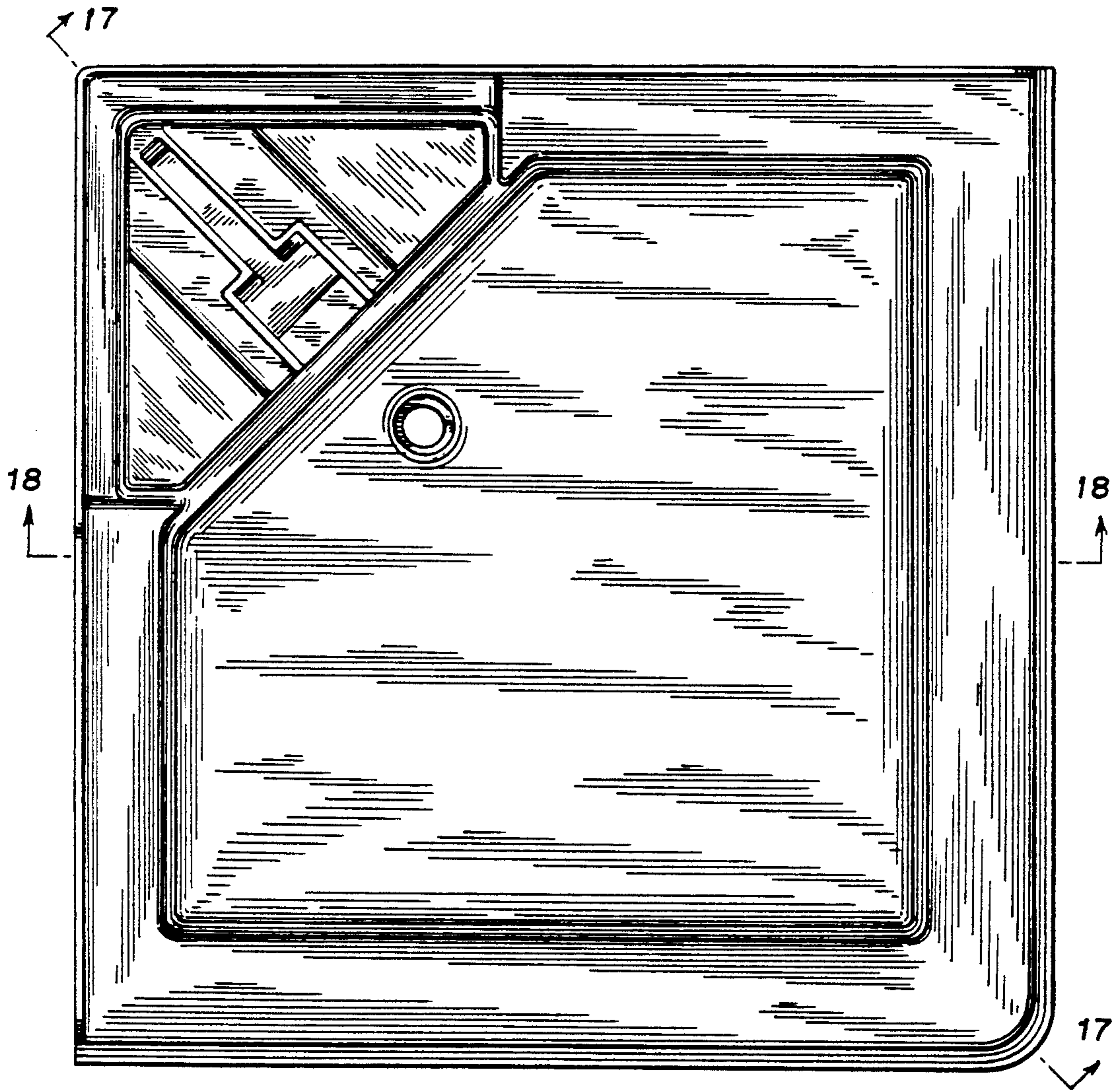
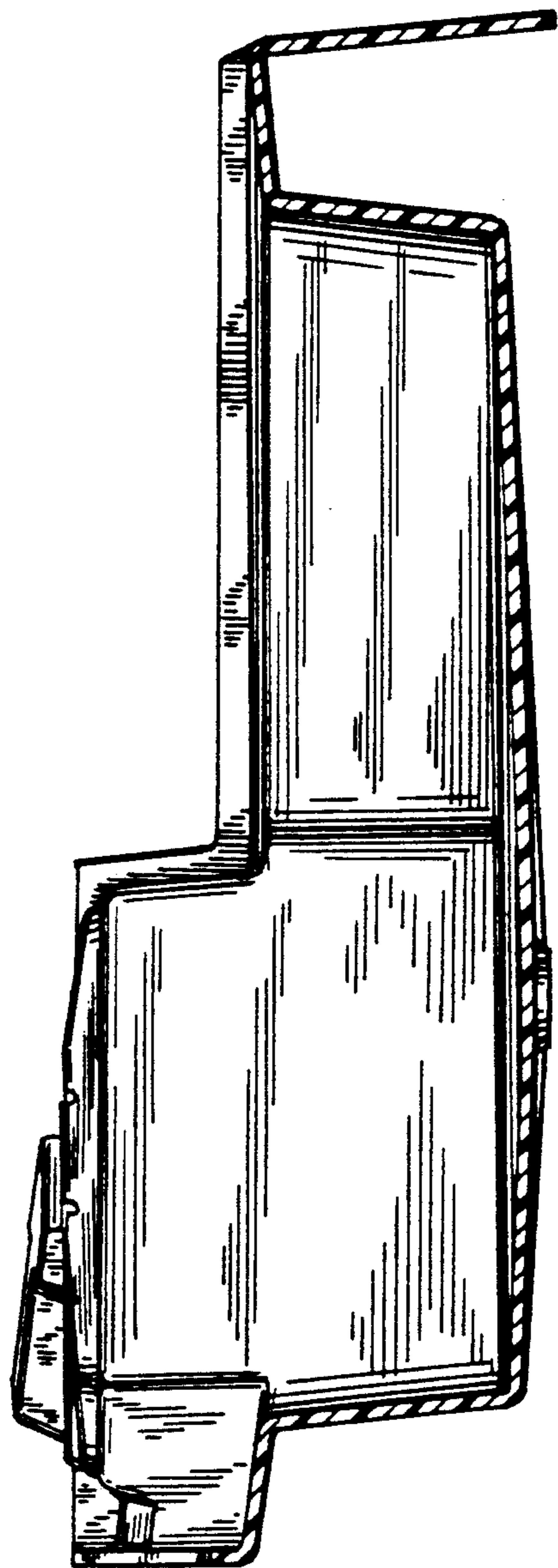
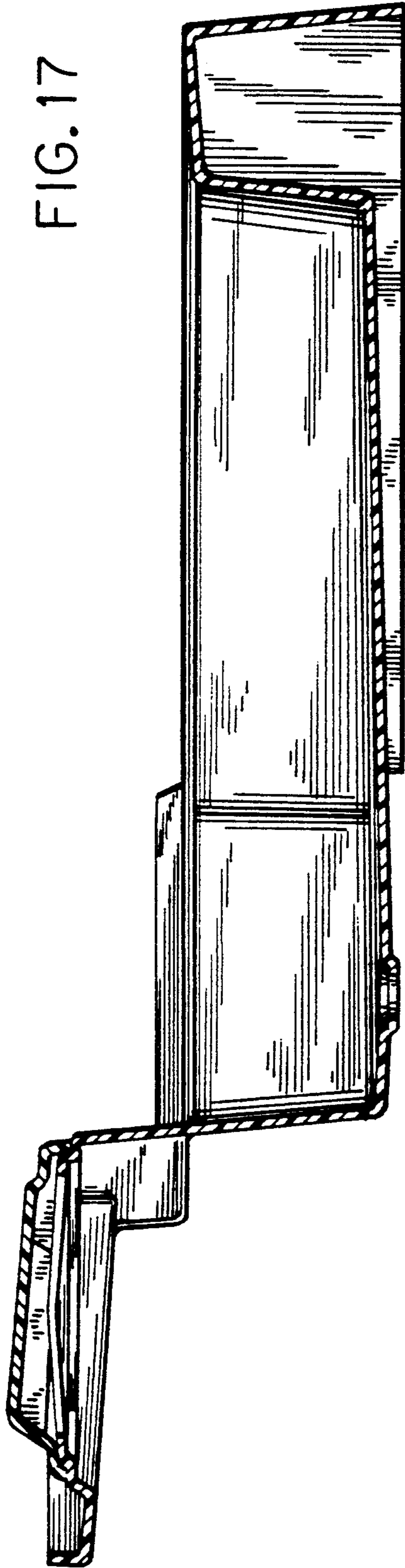


FIG. 16



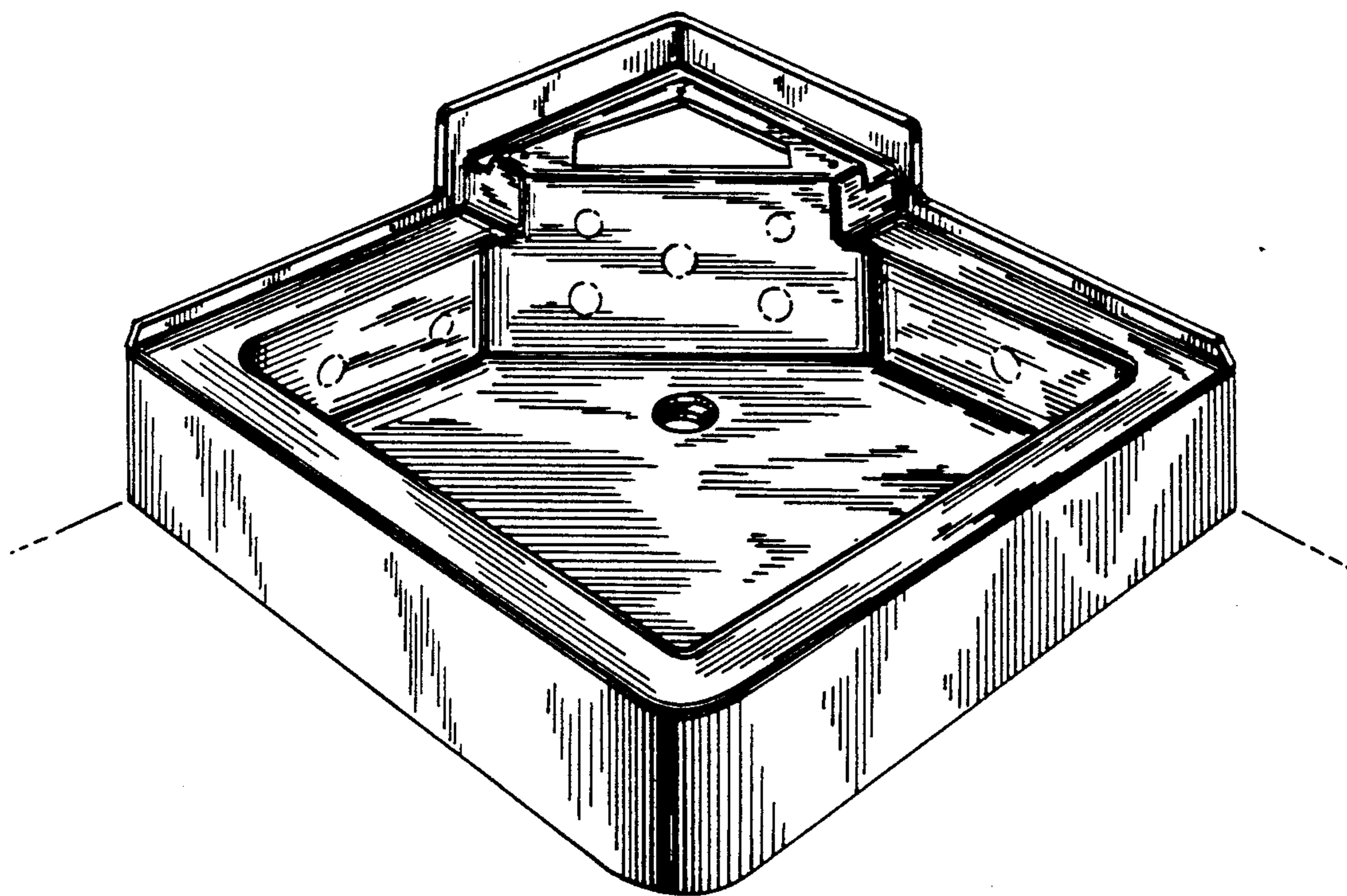


FIG. 19

UNITED STATES PATENT AND TRADEMARK OFFICE
CERTIFICATE OF CORRECTION

PATENT NO. : Des. 337,375

DATED : July 13, 1993

INVENTOR(S) : Alan D. Bengtson and David J. O'Connell

It is certified that error appears in the above-identified patent and that said Letters Patent is hereby corrected as shown below:

On the title page, item:

[56] References Cited. U.S. PATENT DOCUMENTS

"D 96,509" should read -- D 96,507--.

"1,970,514" should read --1,940,514--.

Signed and Sealed this

Twenty-sixth Day of April, 1994

Attest:



BRUCE LEHMAN

Attesting Officer

Commissioner of Patents and Trademarks