



US00D337374S

United States Patent [19]

[11] Patent Number: **Des. 337,374**

Stairs, Jr.

[45] Date of Patent: **** Jul. 13, 1993**

[54] **BATHTUB**

D. 278,844	5/1985	Stairs, Jr.	D23/277
D. 300,454	3/1989	Stairs, Jr.	D23/277
D. 319,490	8/1991	Stairs, Jr.	D23/277
4,844,944	7/1989	Graefe et al.	4/538 X

[75] Inventor: **Henry M. Stairs, Jr., Ligonier, Pa.**

[73] Assignee: **American Standard Inc., New York, N.Y.**

[*] Notice: The portion of the term of this patent subsequent to Aug. 27, 2005 has been disclaimed.

Primary Examiner—James R. Largen
Attorney, Agent, or Firm—Elaine B. Robinson; Ann M. Knab

[**] Term: **14 Years**

[57] CLAIM

The ornamental design for a bathtub, as shown and described.

[21] Appl. No.: **574,917**

DESCRIPTION

[22] Filed: **Aug. 29, 1990**

[52] U.S. Cl. **D23/277**

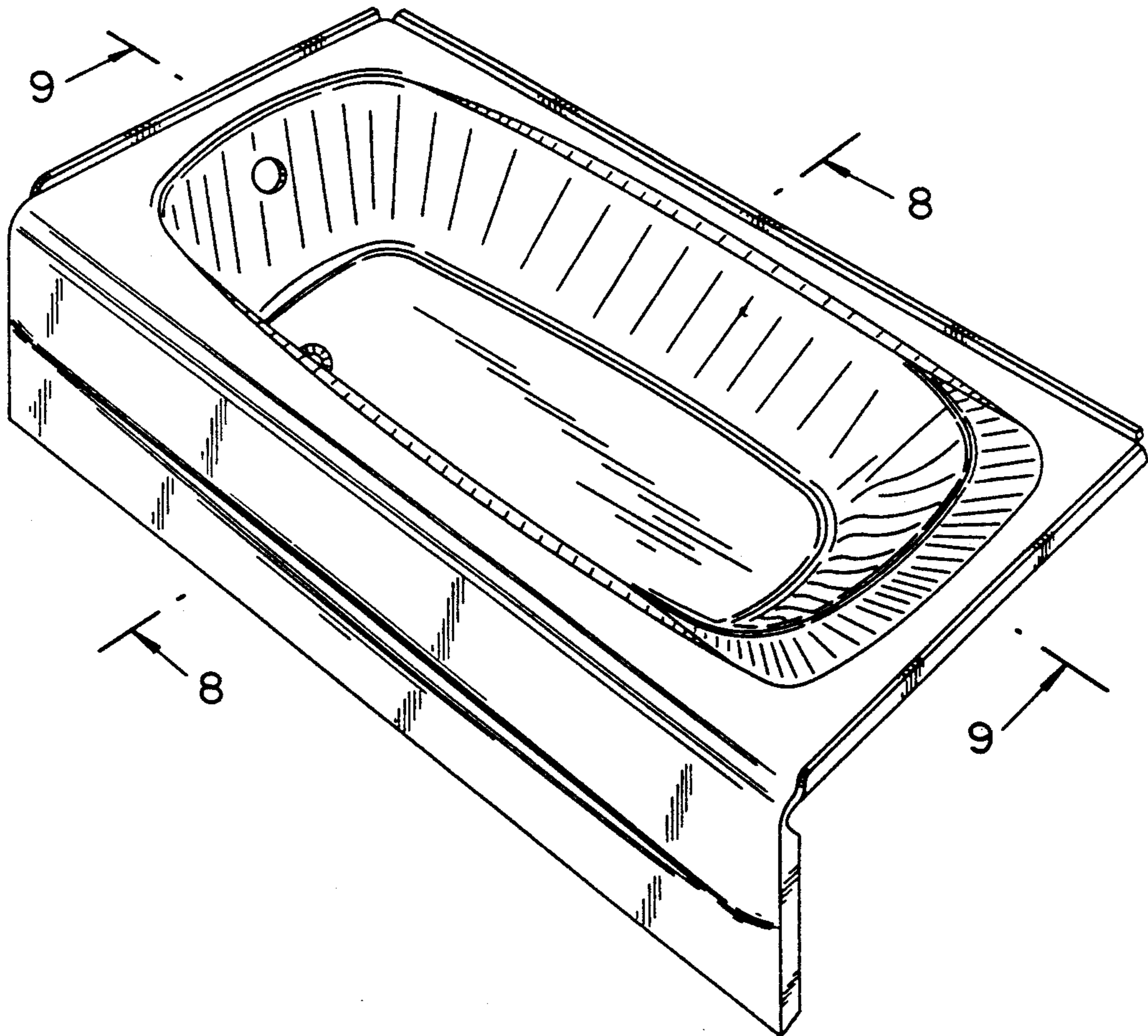
[58] Field of Search **D23/277-283, D23/303-309; D24/201-205; 4/538, 546, 548, 552, 557, 559, 560, 564-566, 573, 578, 579, 584, 590, 592-597, 599-614, 628, 654**

FIG. 1 is a perspective view taken from the top, front and right side of a bathtub showing my new design;
 FIG. 2 is a top plan view thereof;
 FIG. 3 is a bottom plan view thereof;
 FIG. 4 is a front elevational view thereof;
 FIG. 5 is a rear elevational view thereof;
 FIG. 6 is a right side elevational view thereof;
 FIG. 7 is a left side elevational view thereof;
 FIG. 8 is a cross sectional view taken on line 8—8 of FIG. 1; and,
 FIG. 9 is a cross sectional view taken on line 9—9 of FIG. 1.

[56] References Cited

U.S. PATENT DOCUMENTS

D. 216,120	11/1969	Niemann et al.	D23/277
D. 243,181	1/1977	Stairs, Jr.	D23/281
D. 274,643	7/1984	Doman	D23/305



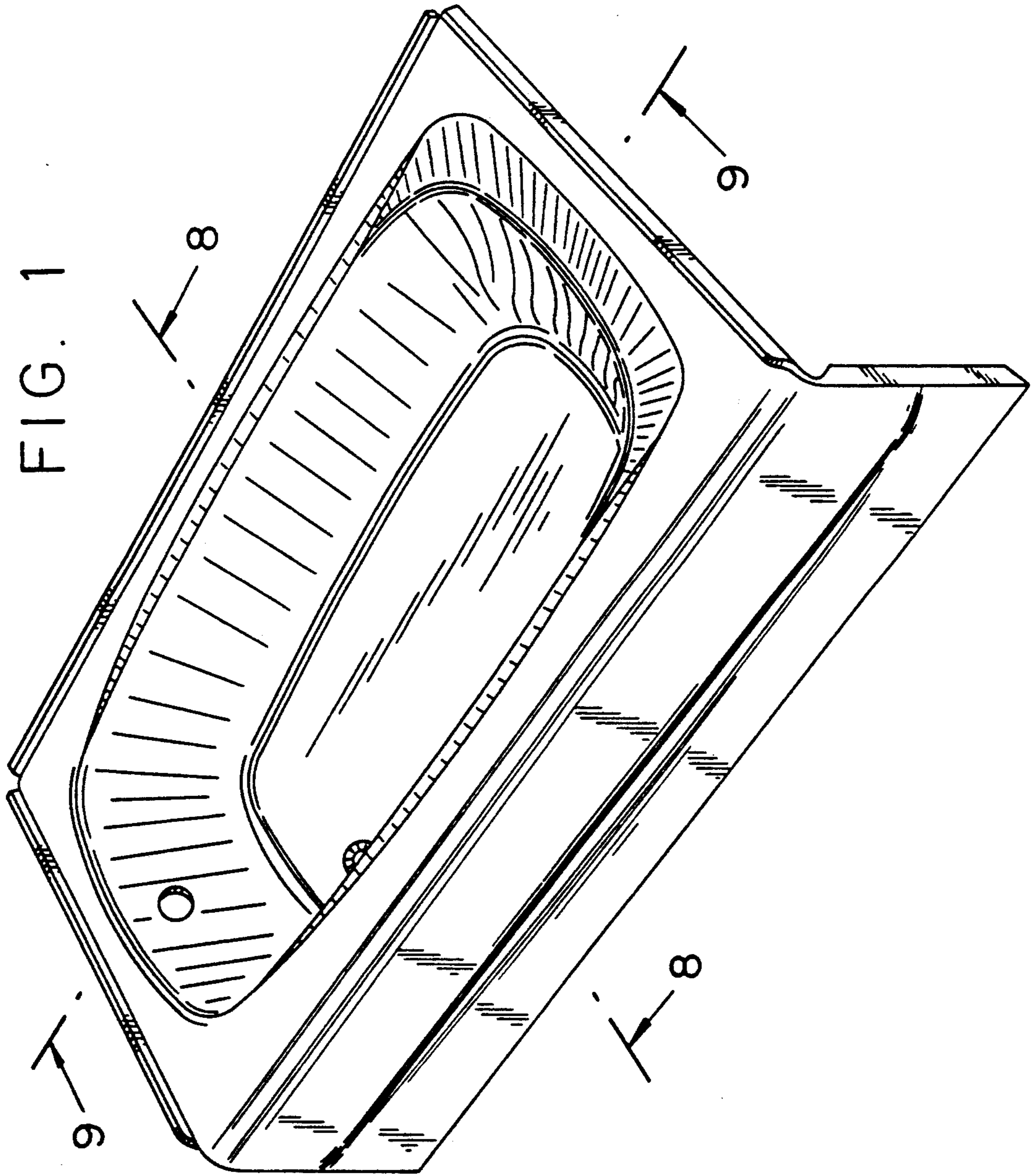


FIG. 2

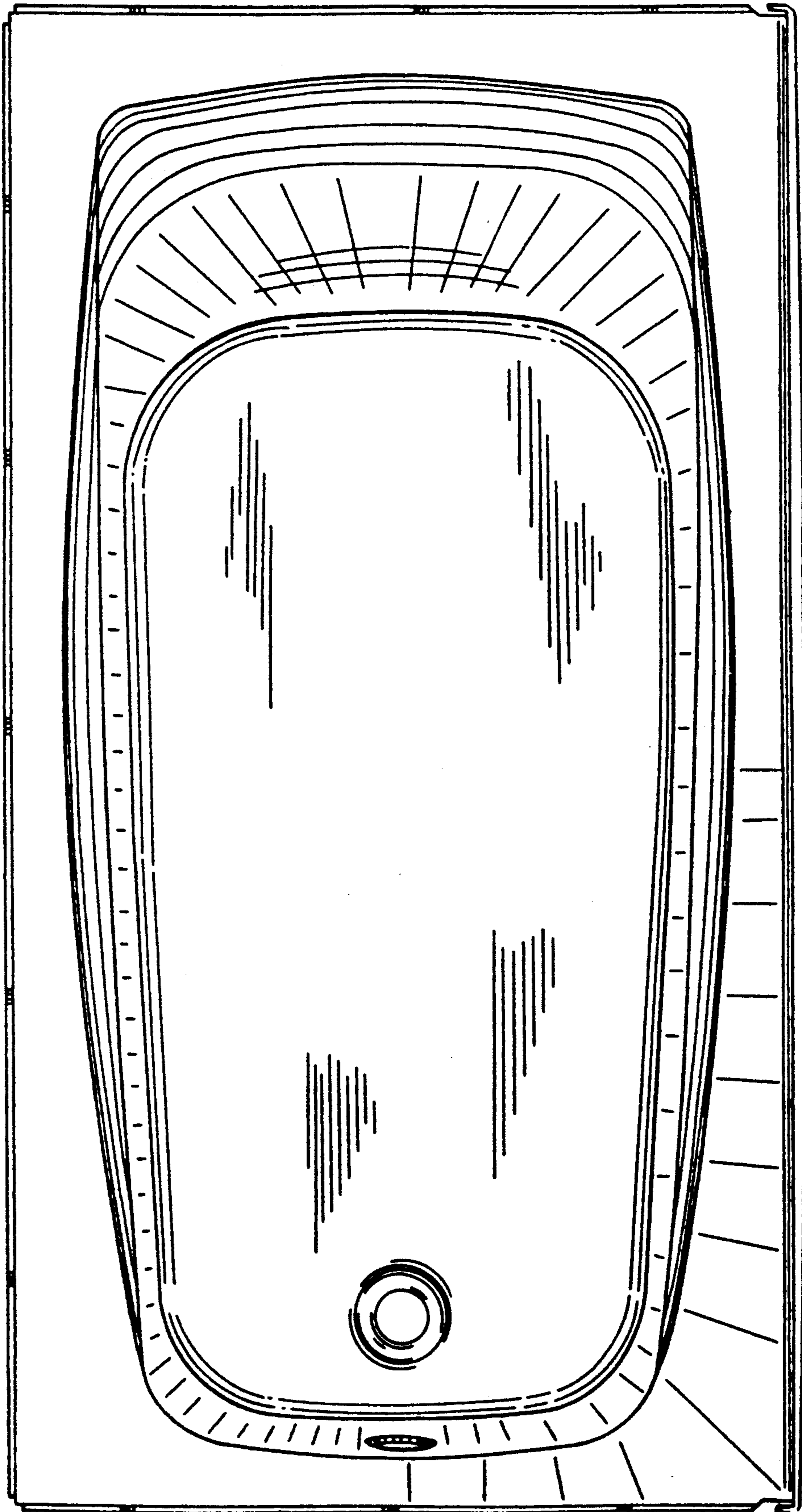


FIG. 3

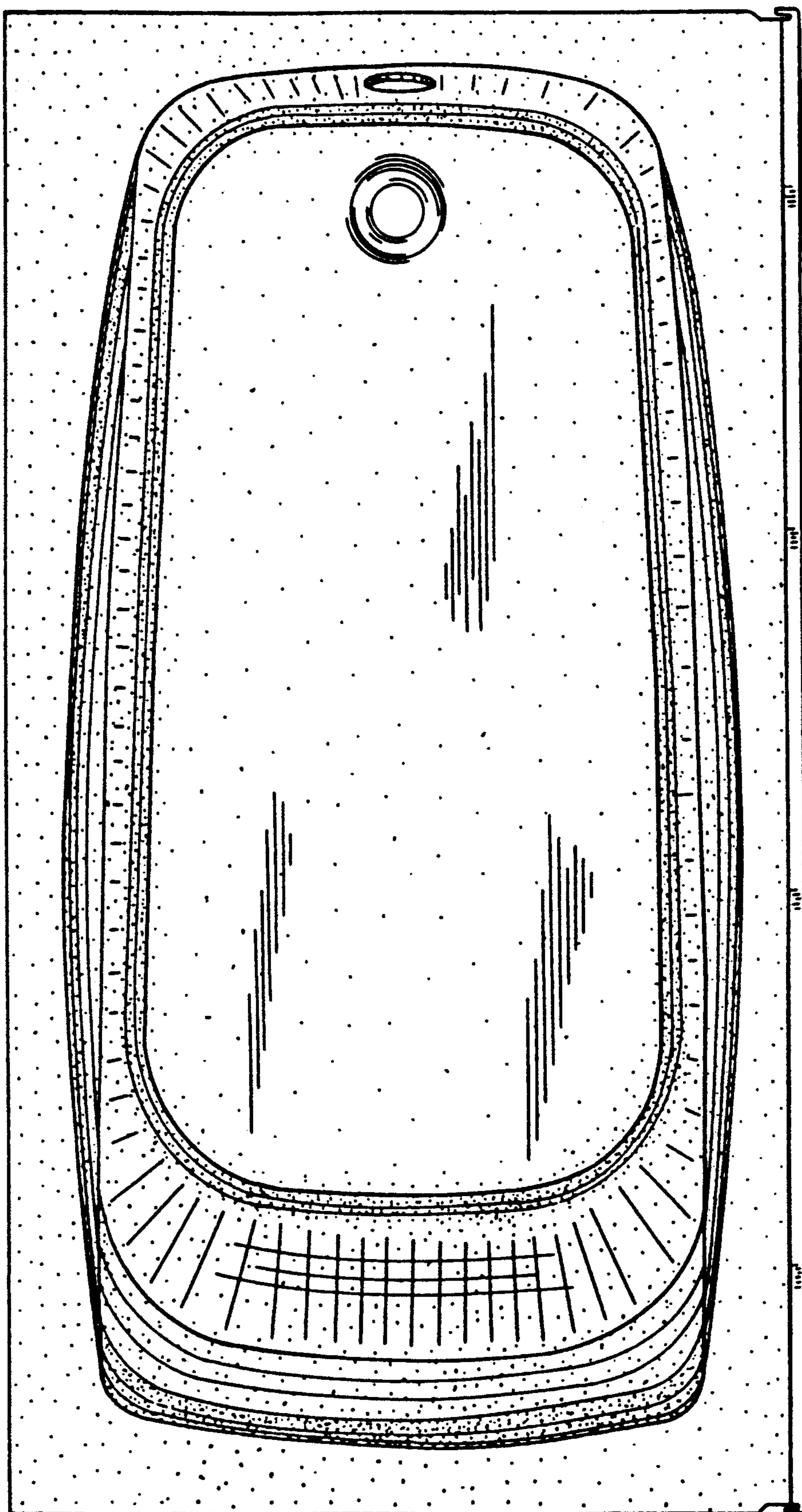


FIG. 4

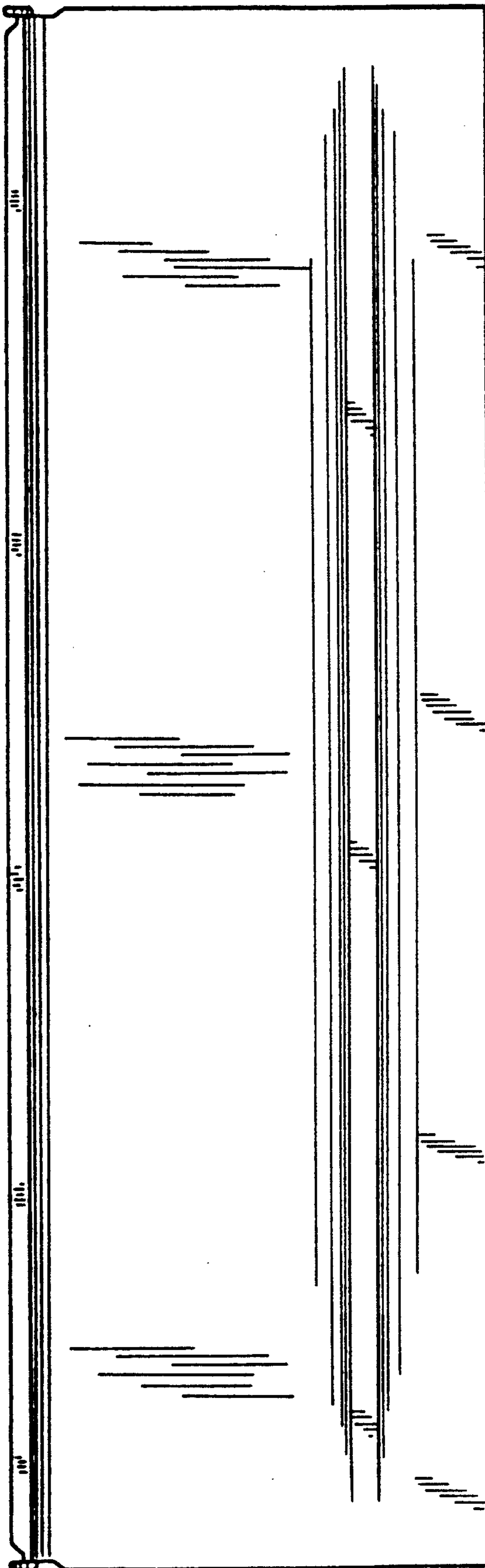


FIG. 5

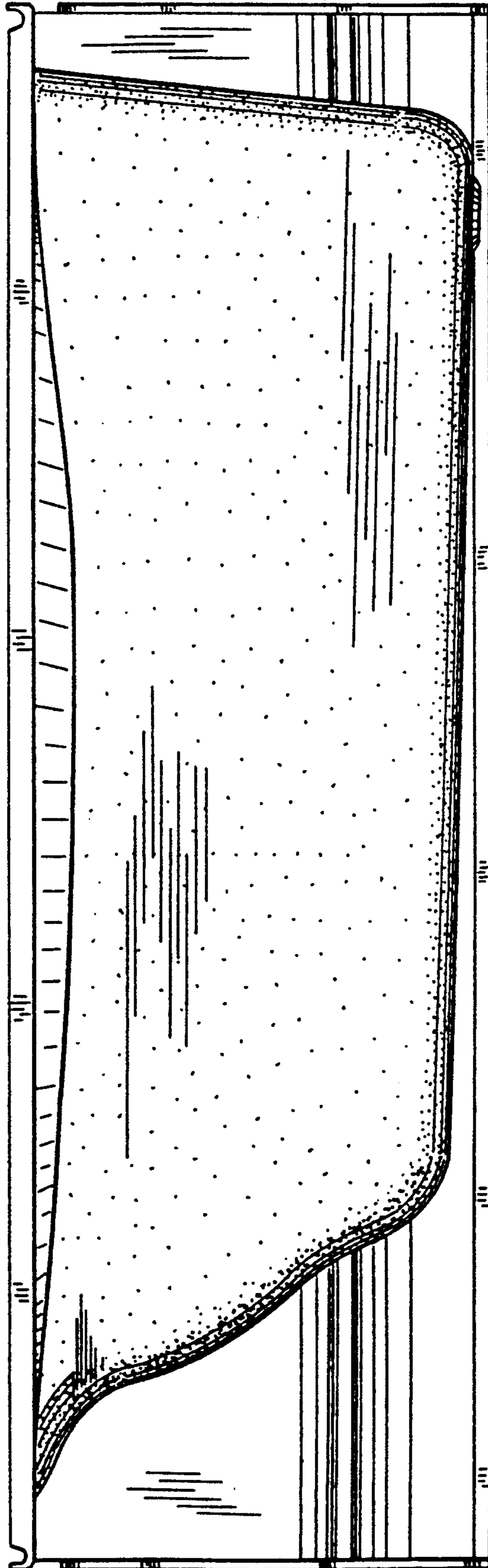


FIG. 6

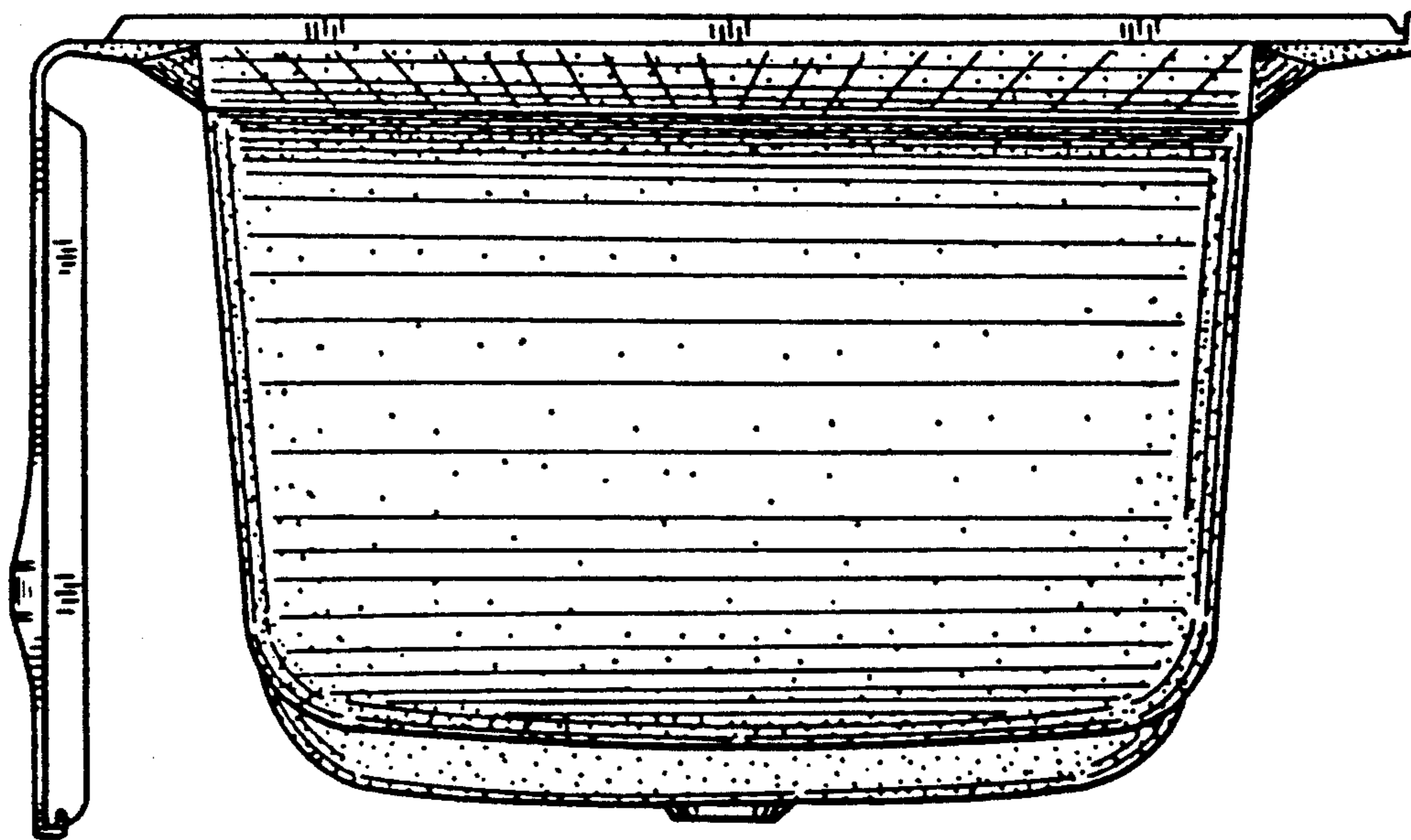


FIG. 7

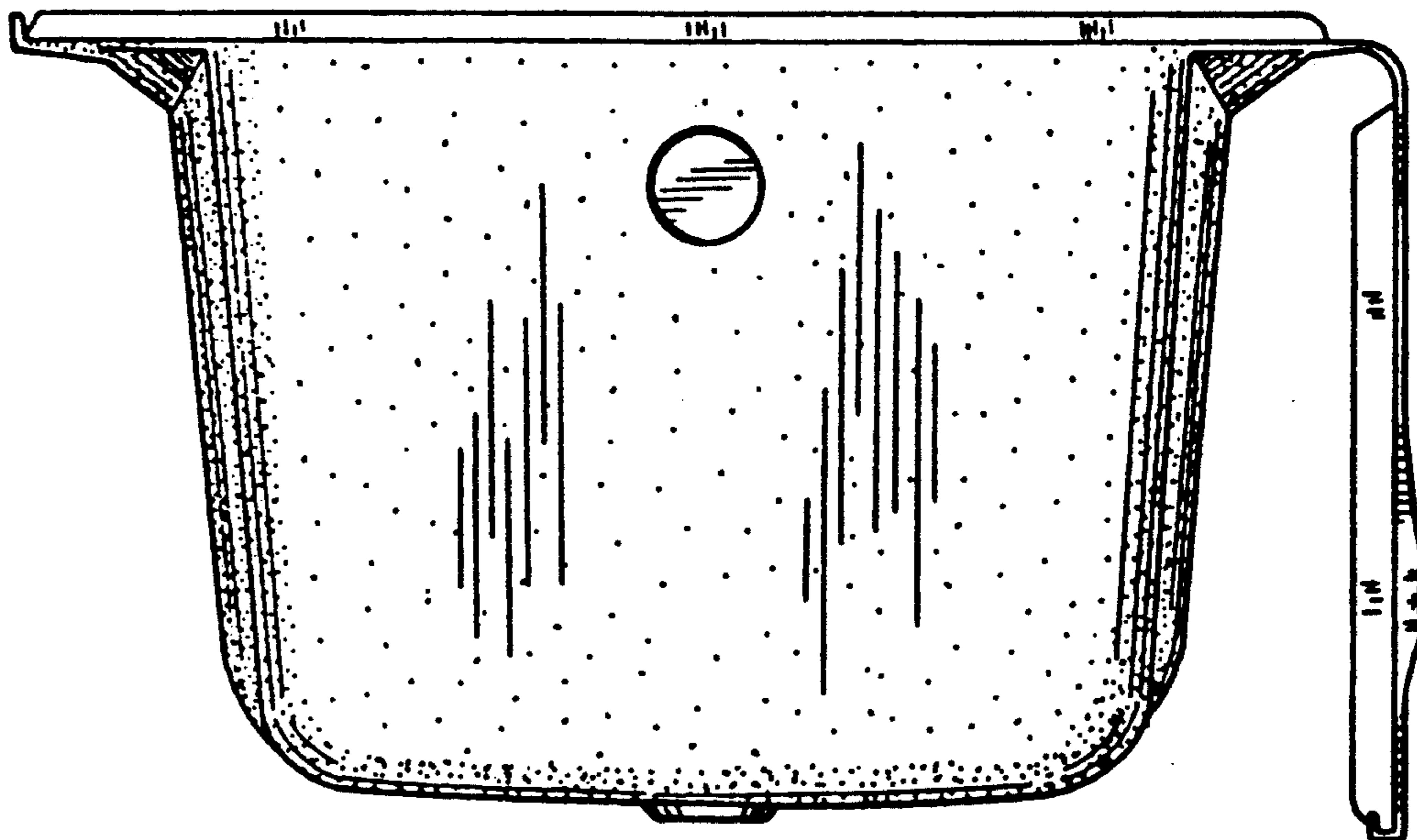


FIG. 8

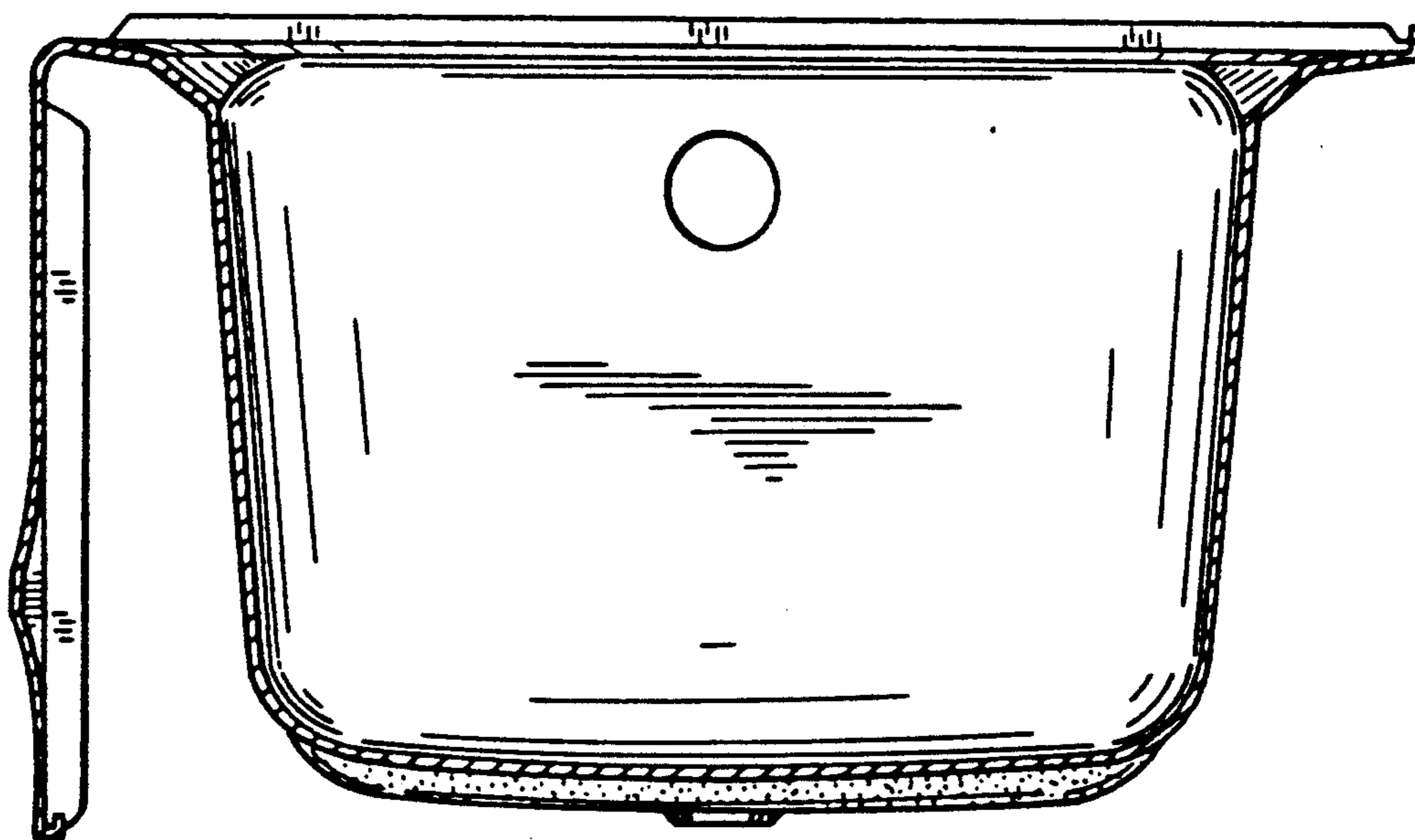


FIG. 9

