



US00D337367S

United States Patent [19]

[11] Patent Number: **Des. 337,367**

McKenzie et al.

[45] Date of Patent: **** Jul. 13, 1993**

[54] **TRANSPORTATION CONTAINER FOR POURABLE MATERIALS**

[75] Inventors: **Kenneth M. McKenzie; Wayne R. Anderson, both of Winnipeg, Canada**

[73] Assignee: **Bonar Inc., Burlington, Canada**

[**] Term: **14 Years**

[21] Appl. No.: **704,624**

[22] Filed: **May 23, 1991**

[30] **Foreign Application Priority Data**

Apr. 24, 1991 [CA] Canada 24-04-91-4

[52] U.S. Cl. **D23/202**

[58] Field of Search D23/202-205;
220/1.5, 2, 4.12, 561, 565; 206/503, 505,
510-511, 515; D9/524, 527-528, 341; 215/1 R,
1 C, 6, 100 A; 141/98

[56] **References Cited**

U.S. PATENT DOCUMENTS

D. 251,674 4/1979 Sayward D23/202

D. 282,921 3/1986 Eineka et al. D12/155
D. 298,450 11/1988 Thomas et al. D23/202
D. 331,094 11/1992 Sterett D23/202
4,930,661 6/1990 Voorhies 220/1.5
4,989,741 2/1991 Dull et al. 220/1.5

Primary Examiner—Wallace R. Burke

Assistant Examiner—M. H. Tung

Attorney, Agent, or Firm—Adrian D. Battison; Stanley G. Ade; Murray E. Thrift

[57] **CLAIM**

The ornamental design for a transportation container for pourable materials, as shown and described.

DESCRIPTION

FIG. 1 is an isometric view of the design showing the front, top and one side;

FIG. 2 is an isometric view of the design showing the bottom, other side and rear;

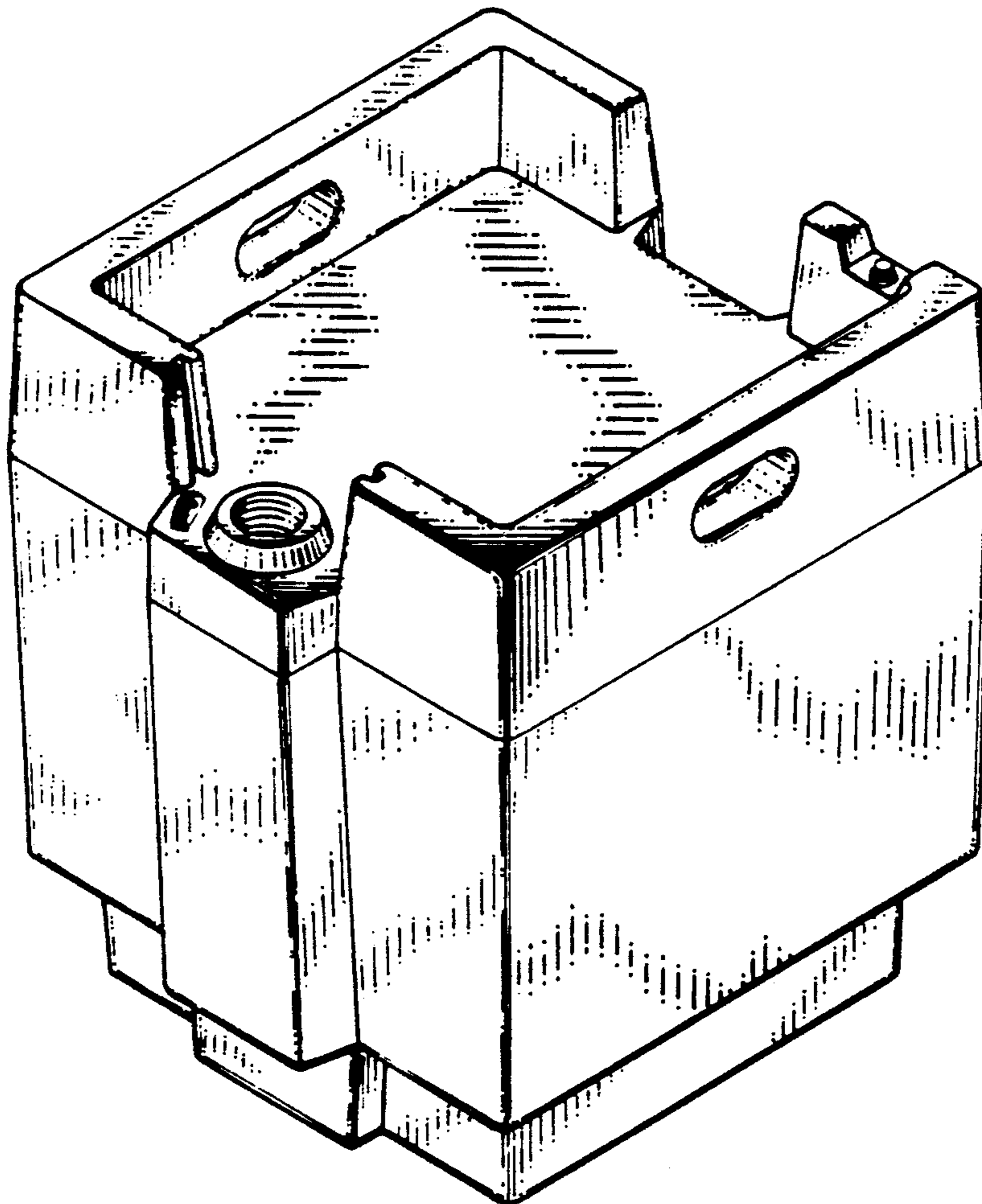
FIG. 3 is a side elevational view of the design;

FIG. 4 is a front elevational view of the design;

FIG. 5 is a rear elevational view of the design;

FIG. 6 is a top plan view of the design; and,

FIG. 7 is a bottom plan view of the design.



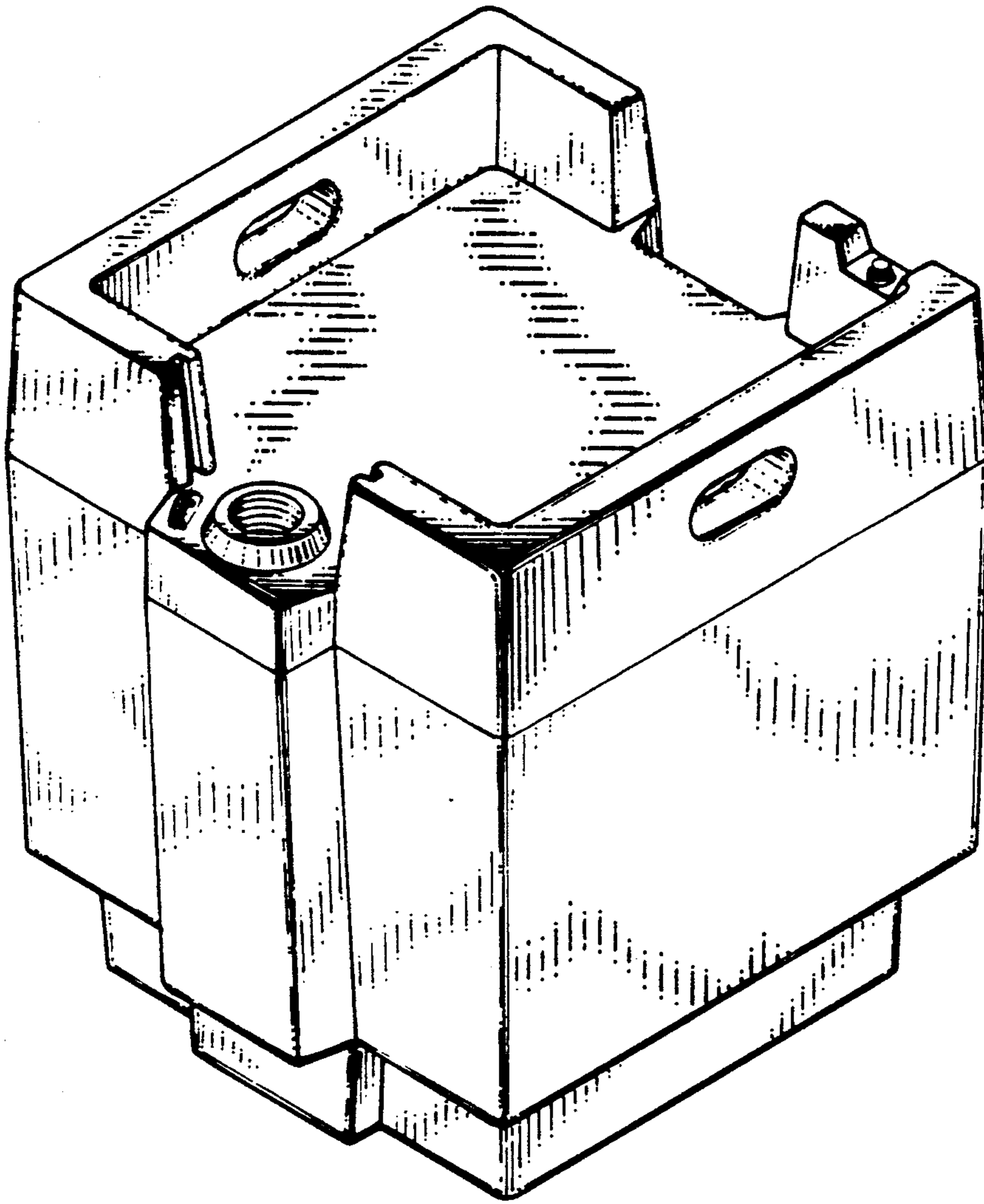


FIG. 1

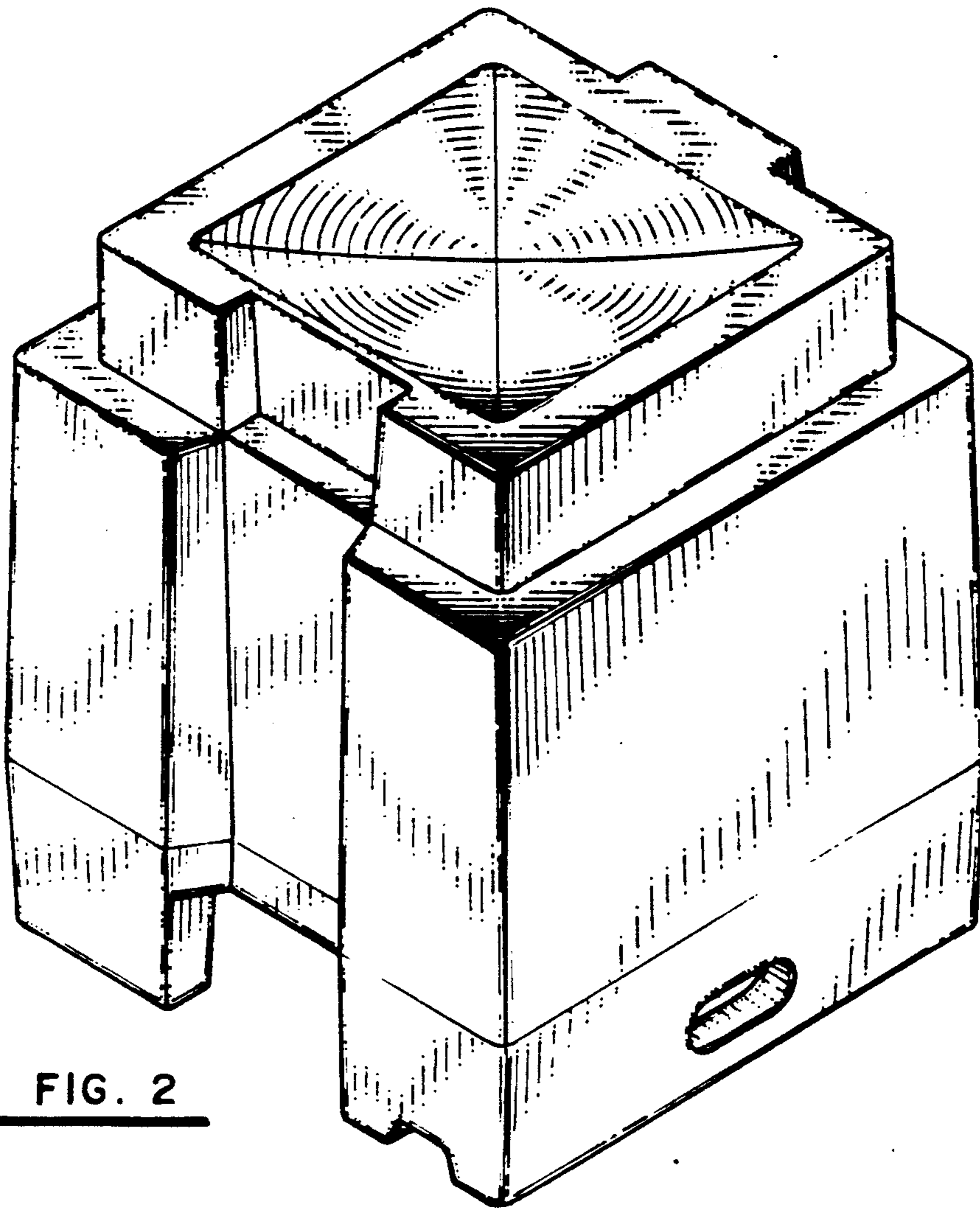


FIG. 2

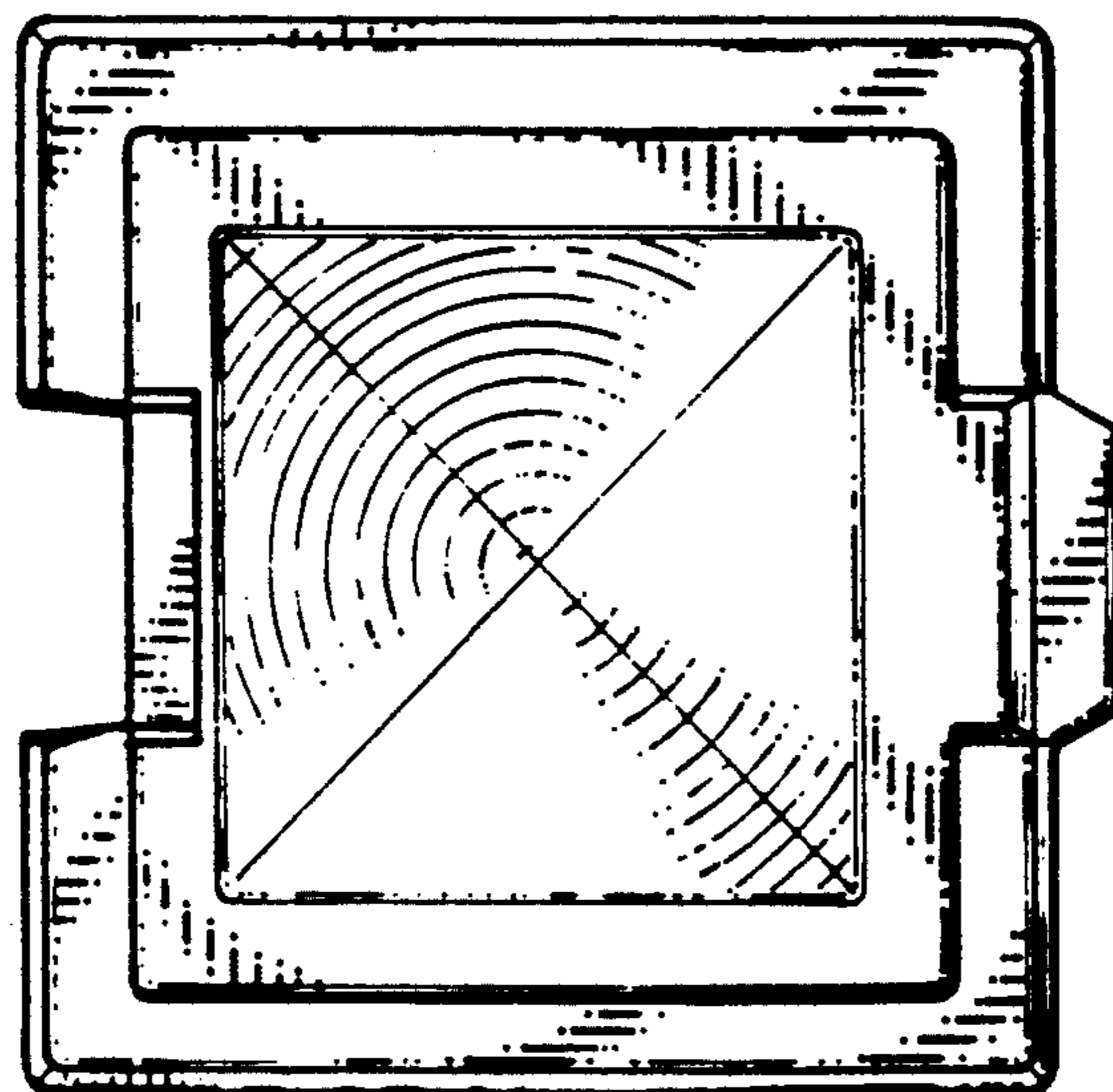


FIG. 7

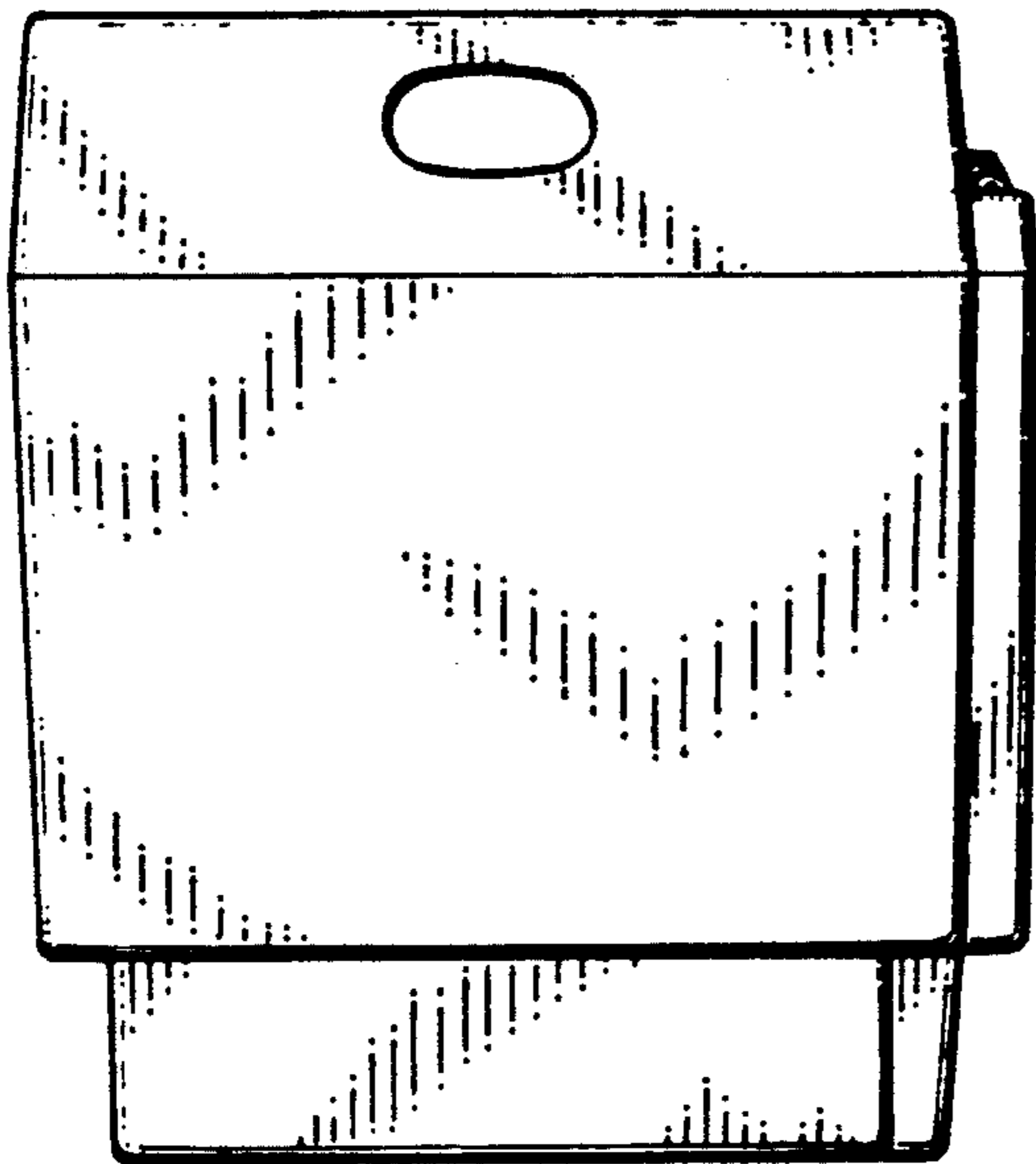


FIG. 3

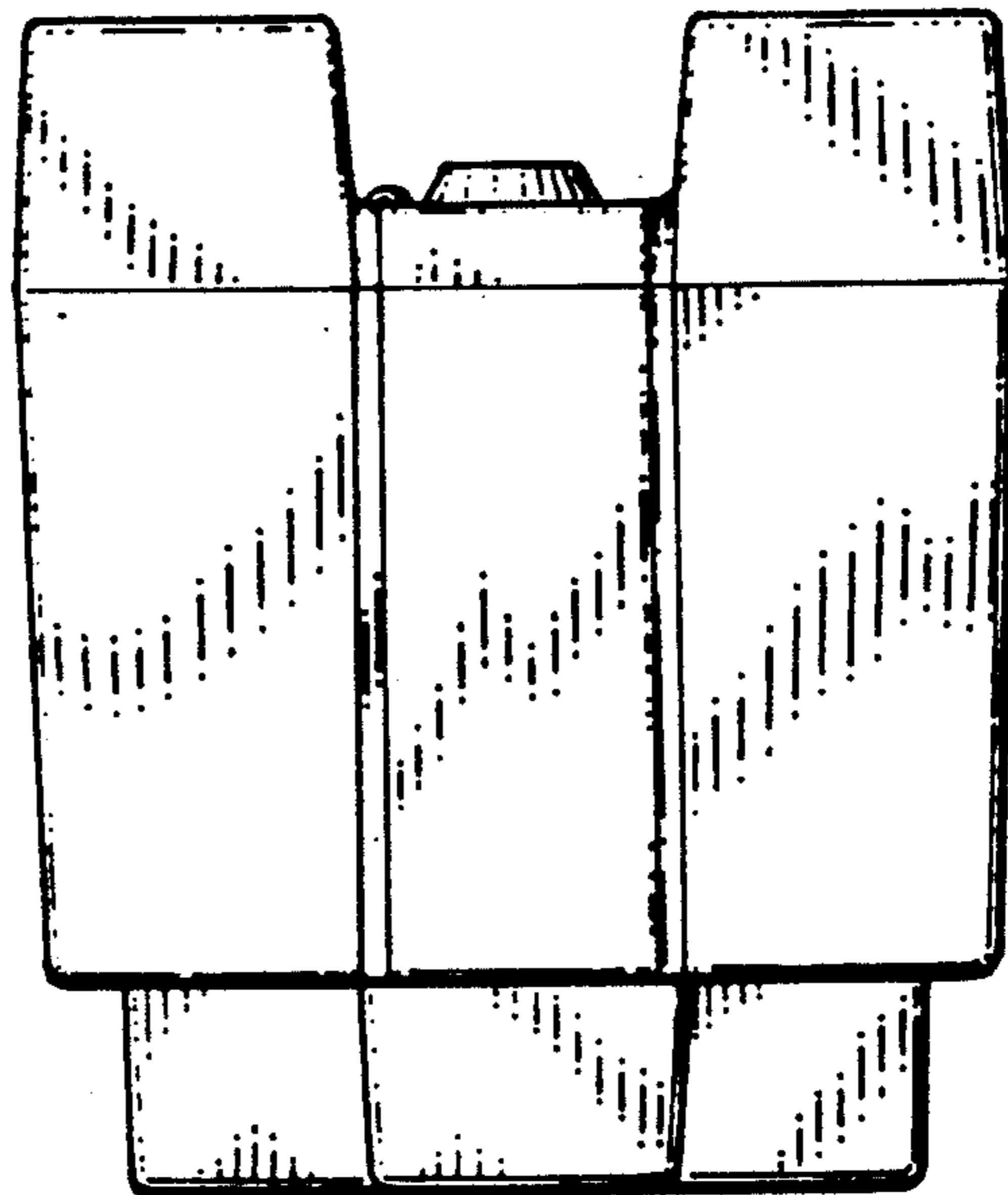


FIG. 4

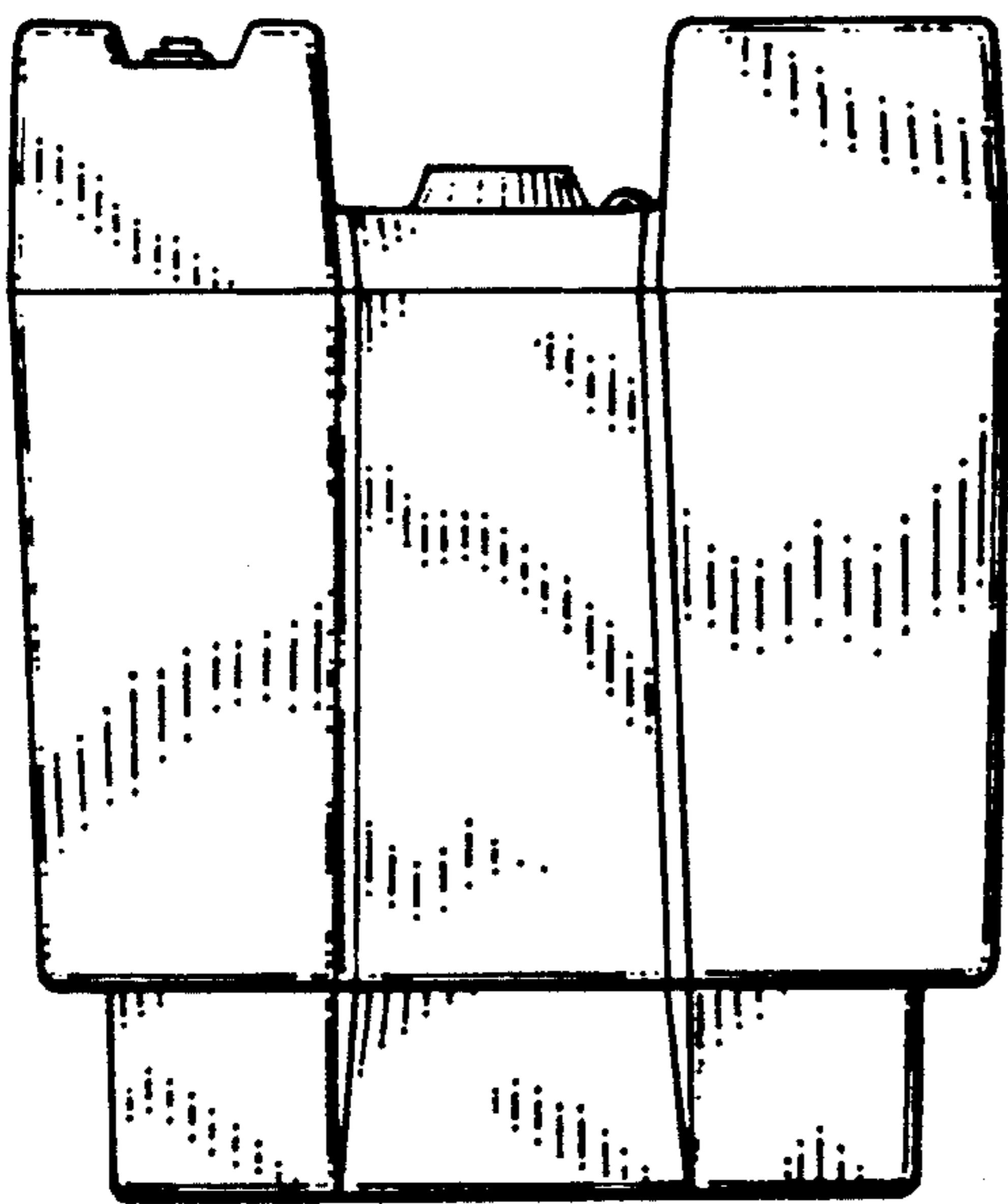


FIG. 5

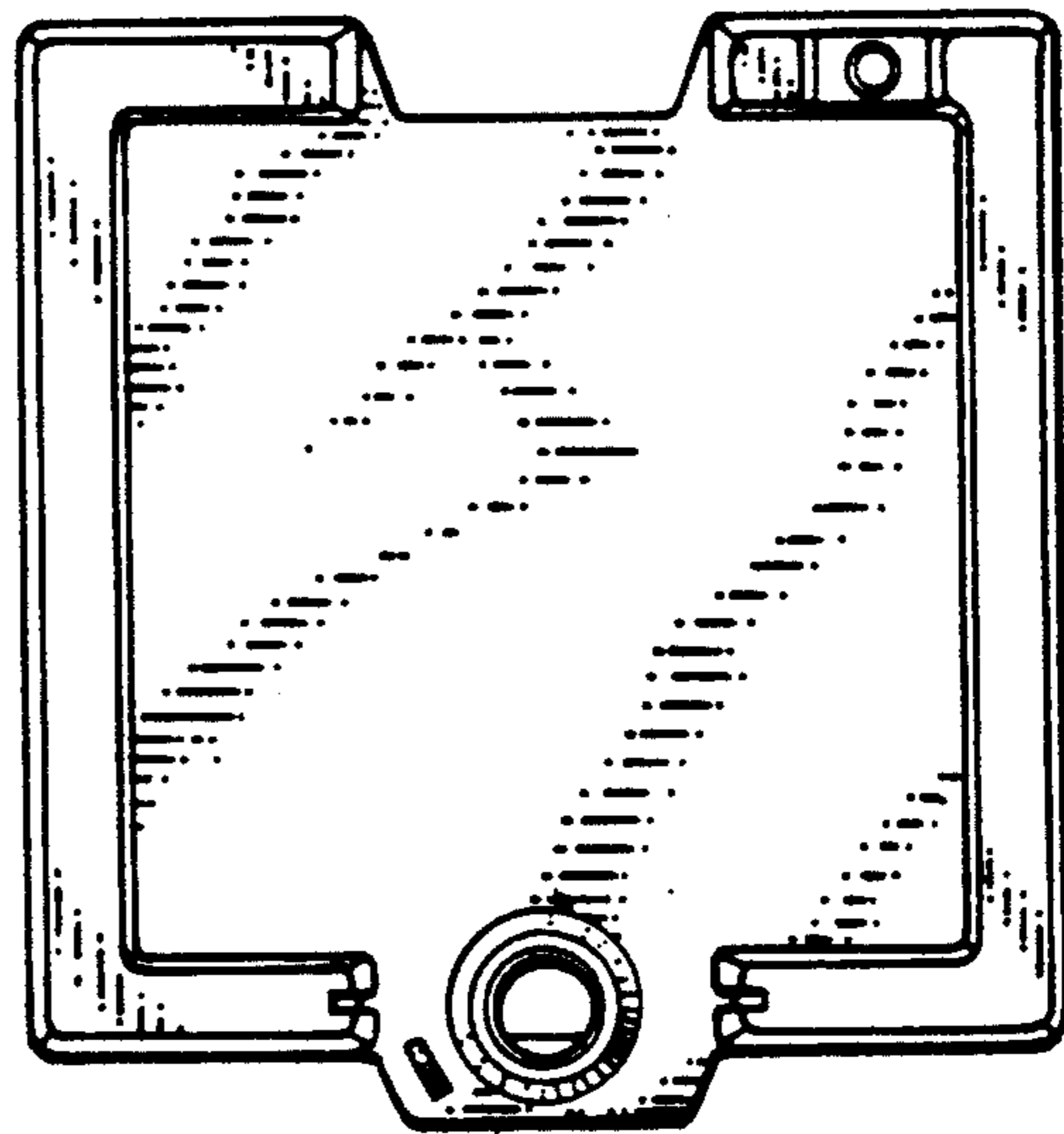


FIG. 6