



US00D337365S

United States Patent [19]
Gertler

[11] **Patent Number: Des. 337,365**

[45] **Date of Patent: ** Jul. 13, 1993**

[54] **ROLLER SKATE**

3,936,061 2/1976 Wada 280/11.23
4,272,091 6/1981 Reid, Jr. 280/11.19

[76] Inventor: **Robert Gertler, 23-10A Cpl.
Kennedy Ave., Bayside, N.Y. 11360**

Primary Examiner—B. J. Bullock
Assistant Examiner—R. Barkai
Attorney, Agent, or Firm—Jay L. Chaskin

[**] Term: **14 Years**

[21] Appl. No.: **703,997**

[57] **CLAIM**

[22] Filed: **May 21, 1991**

The ornamental design for a roller skate, as shown and described.

[52] U.S. Cl. **D21/226**

[58] Field of Search **D21/225, 226, 227;
280/11.19, 11.22, 11.23, 87.042, 811**

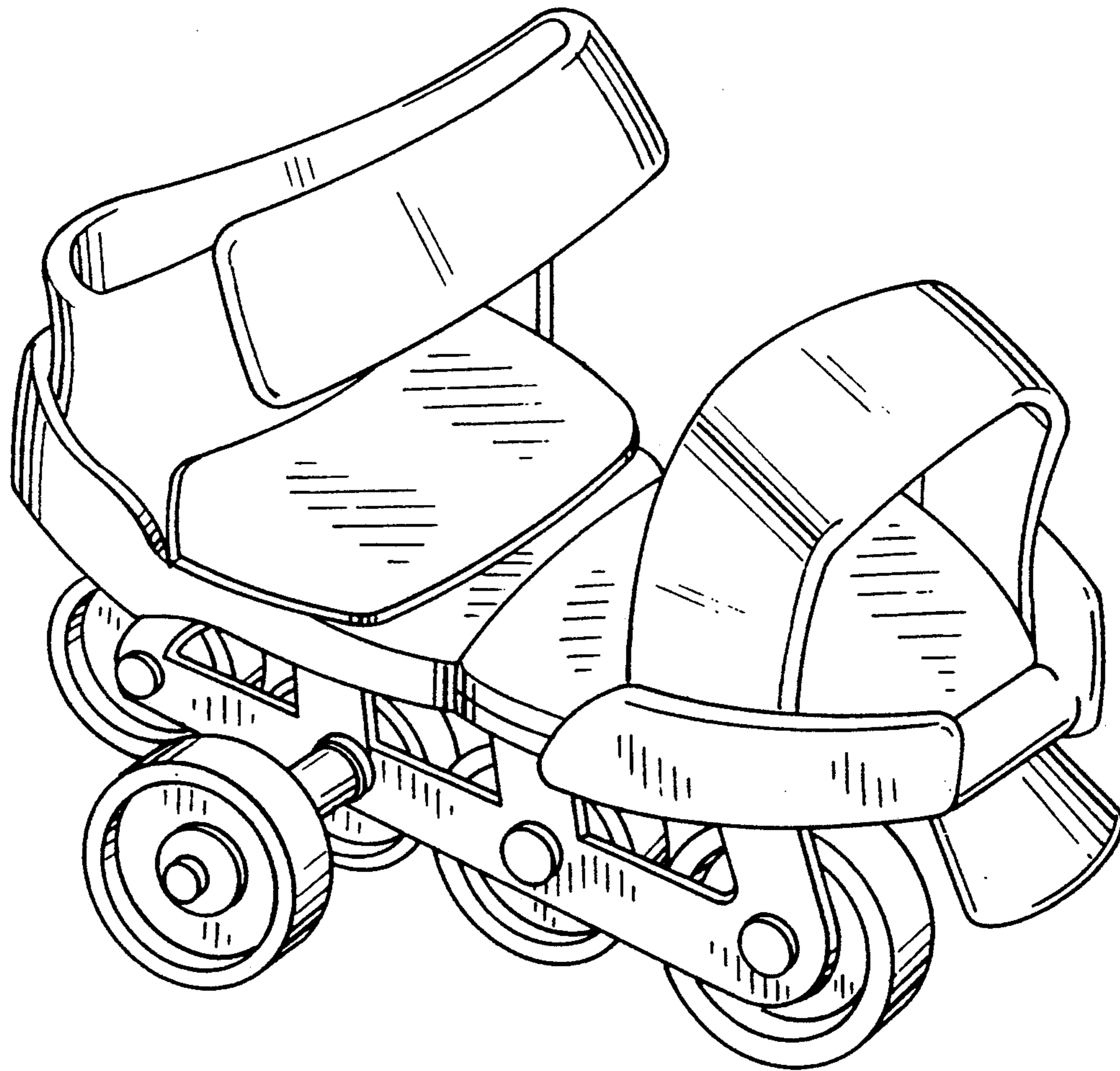
DESCRIPTION

[56] **References Cited**

U.S. PATENT DOCUMENTS

D. 282,095	1/1986	Robjent	D21/226
D. 299,259	1/1989	Vullierme	D21/226
D. 315,940	4/1991	Wehmeyer	D21/226
138,018	4/1873	Gregg	280/11.19
1,421,532	7/1922	Muck	D21/226
2,035,897	3/1936	Kosanovich	D21/226

FIG. 1 is a top, right side perspective view of a roller skate showing the new design;
FIG. 2 is a front elevational view thereof;
FIG. 3 is a bottom right side perspective view thereof;
FIG. 4 is a rear elevational view thereof;
FIG. 5 is a top plan view thereof;
FIG. 6 is a bottom plan view thereof;
FIG. 7 is a left side elevational view thereof; and,
FIG. 8 is a right side elevational view thereof.



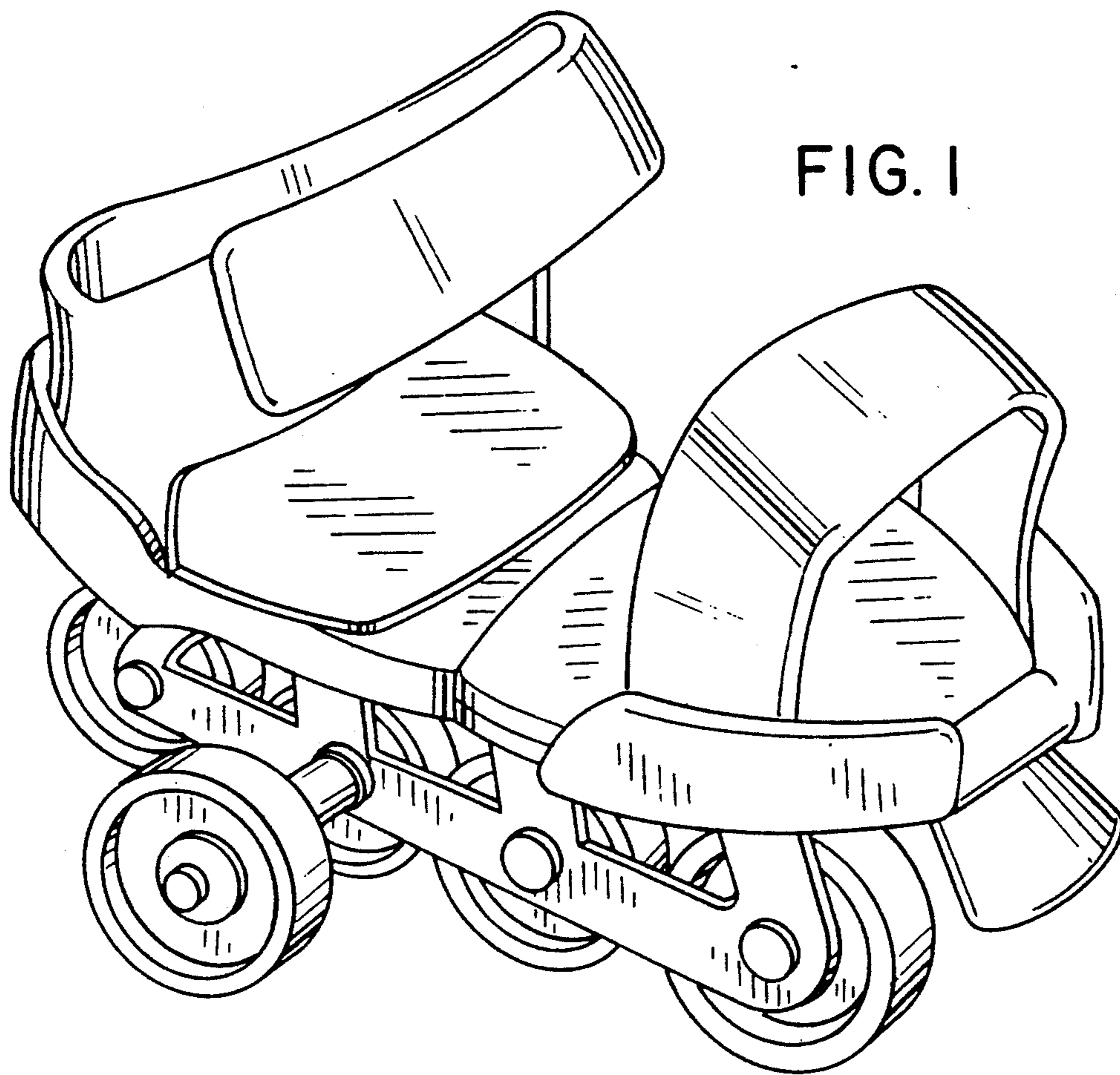
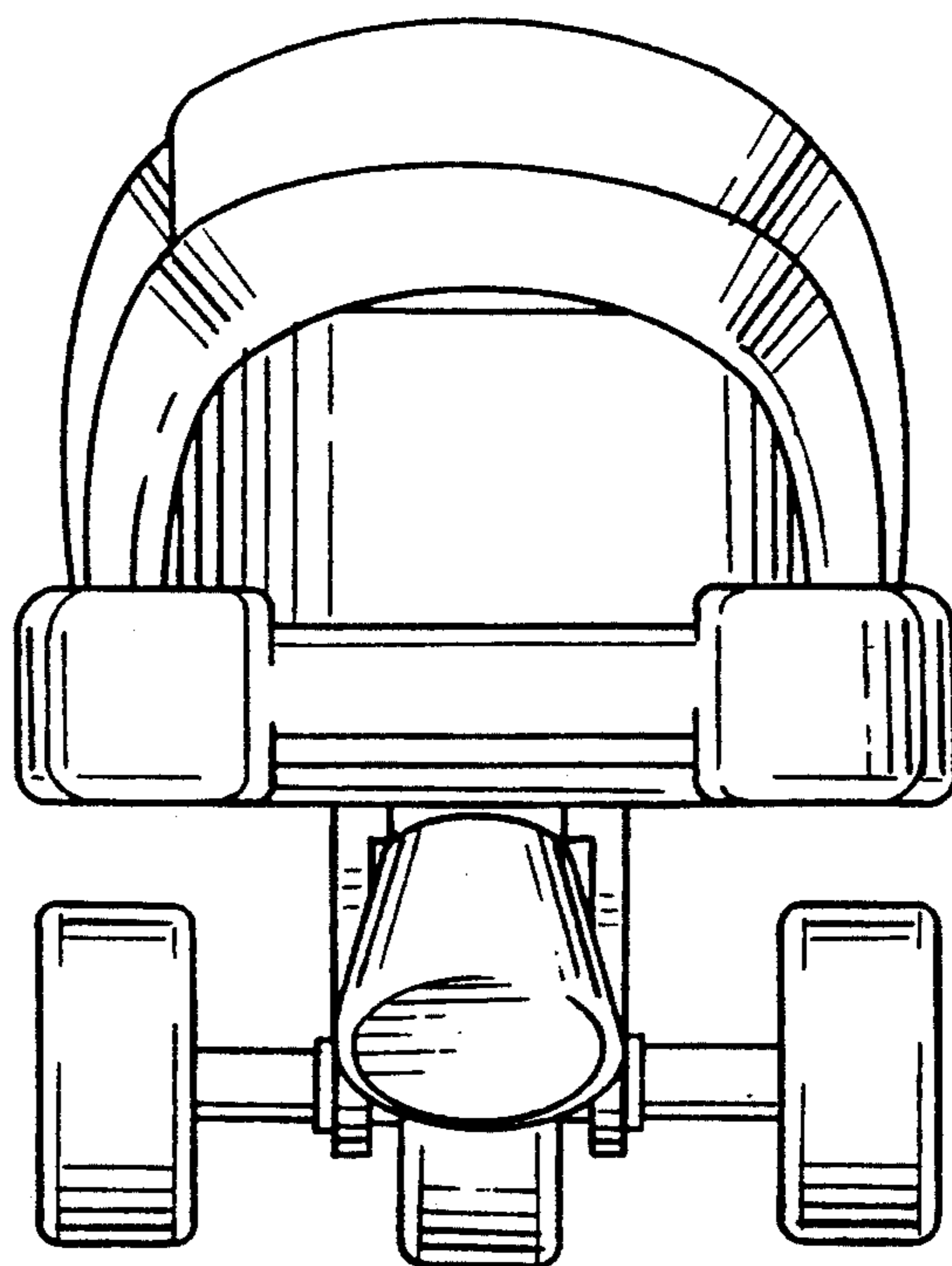


FIG. 2



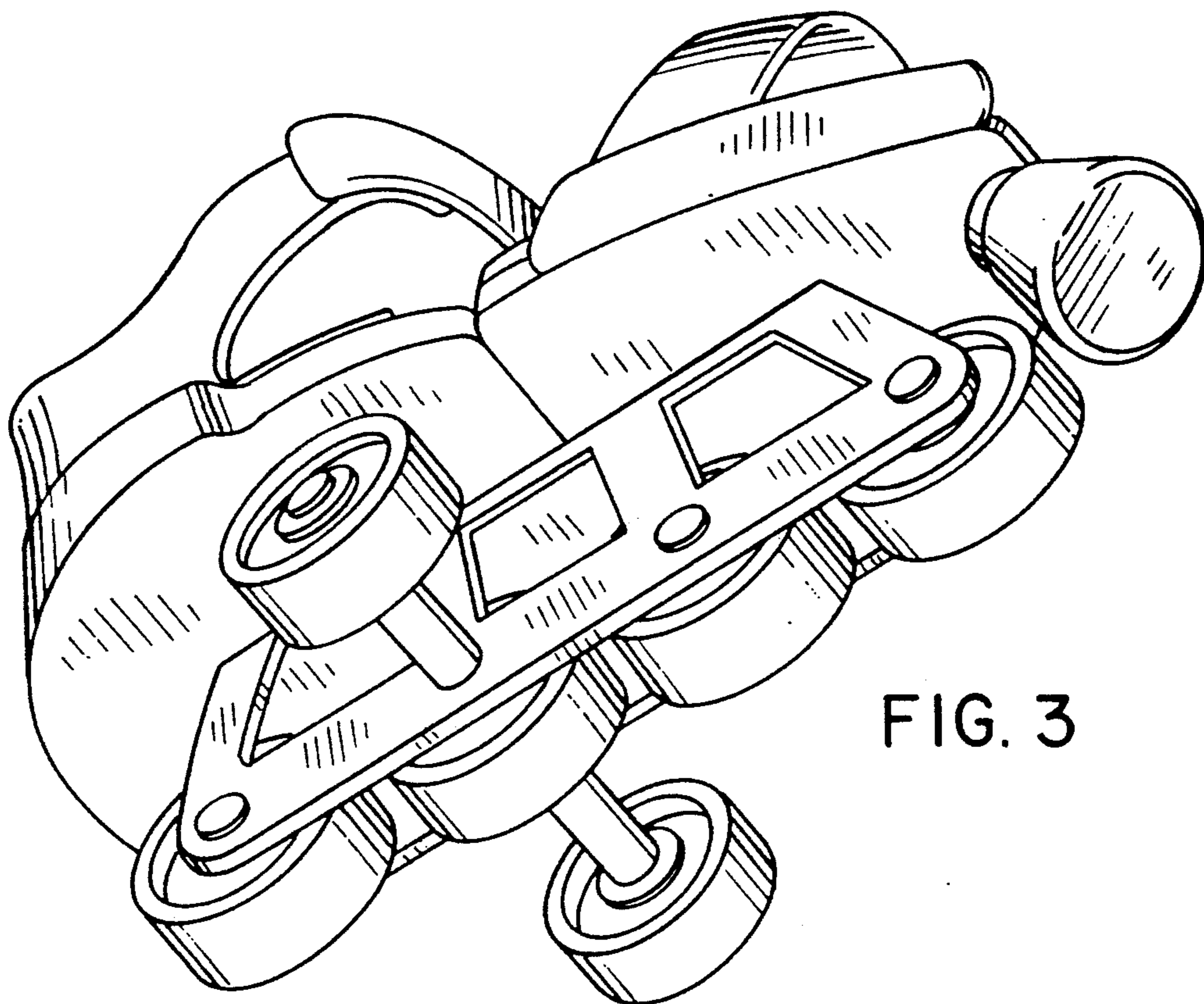


FIG. 3

FIG. 4

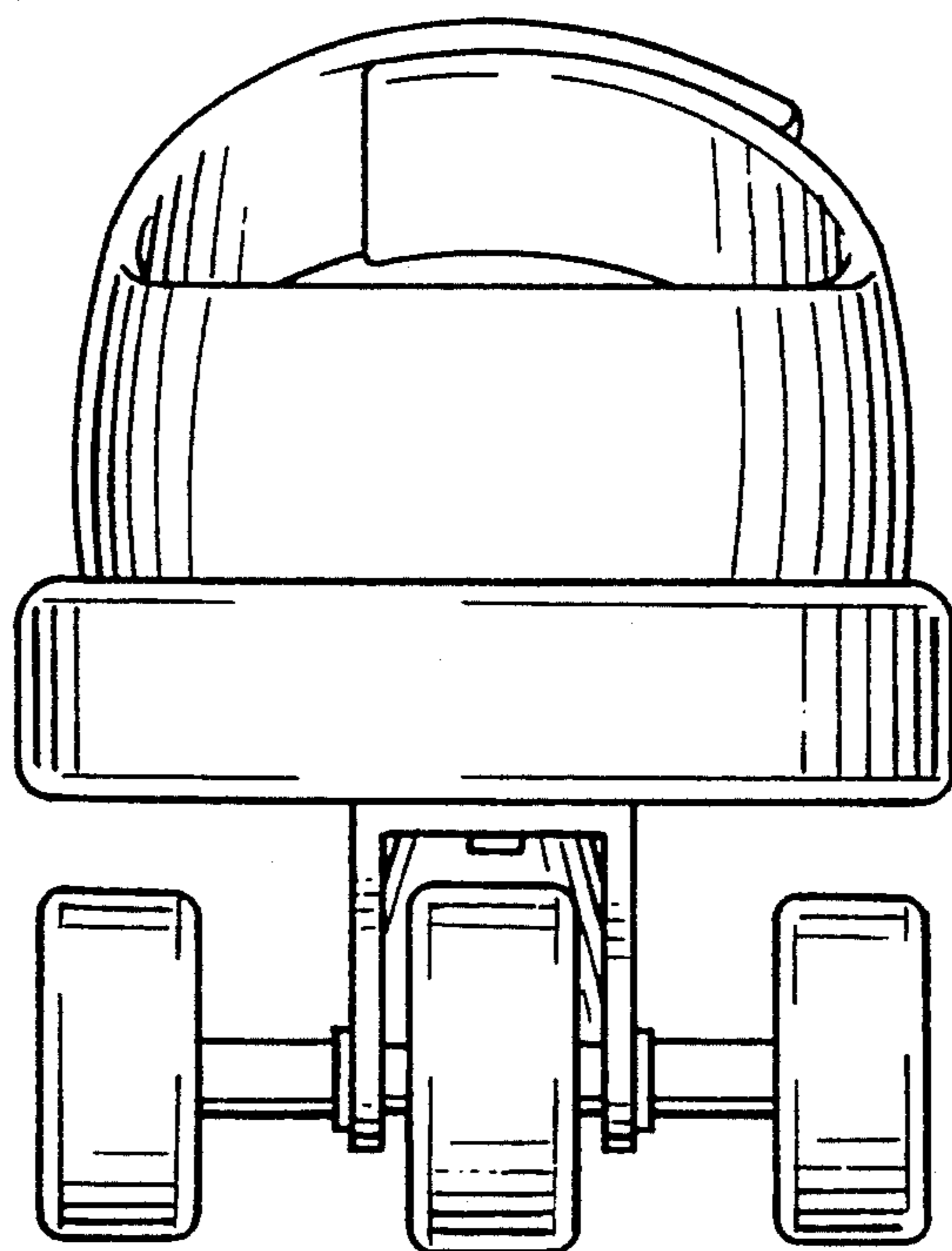


FIG. 5

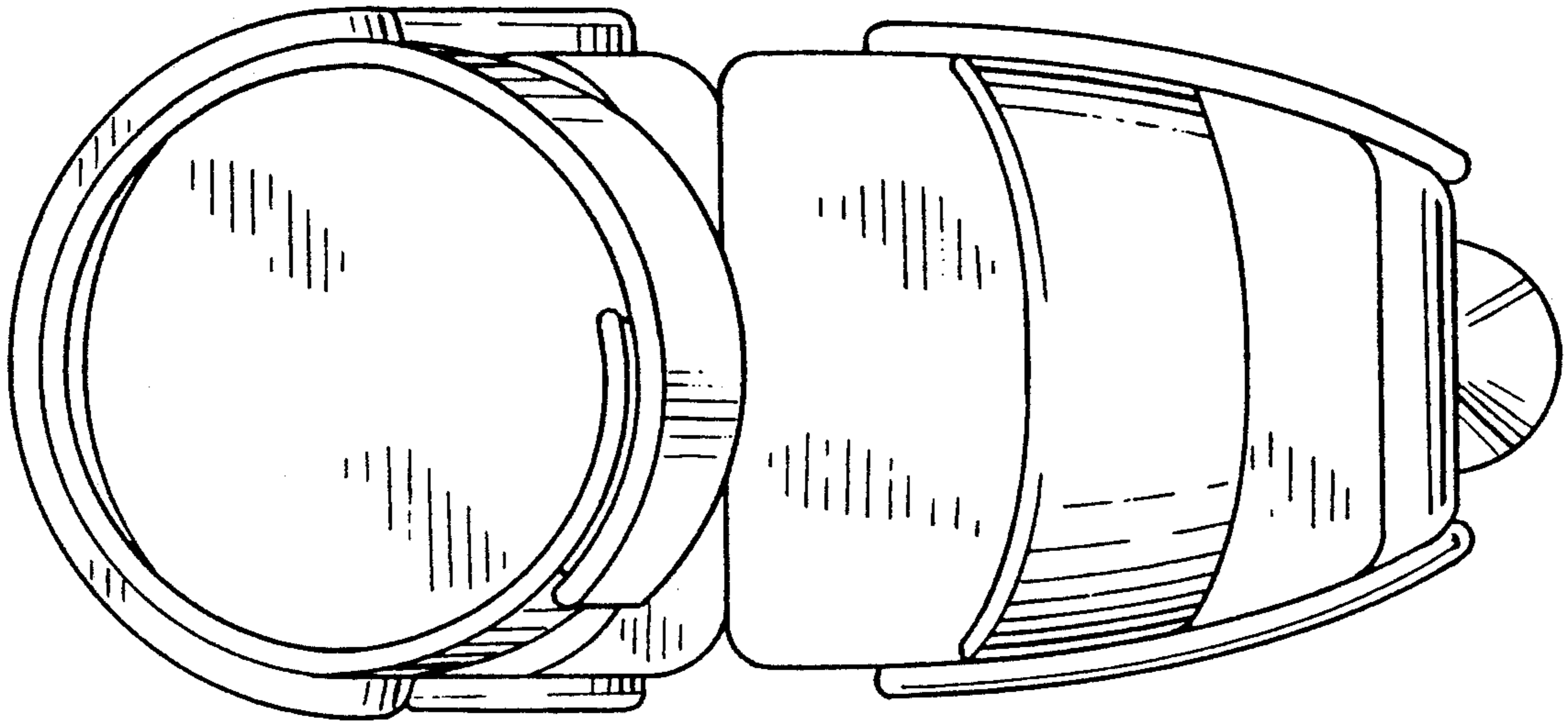


FIG. 6

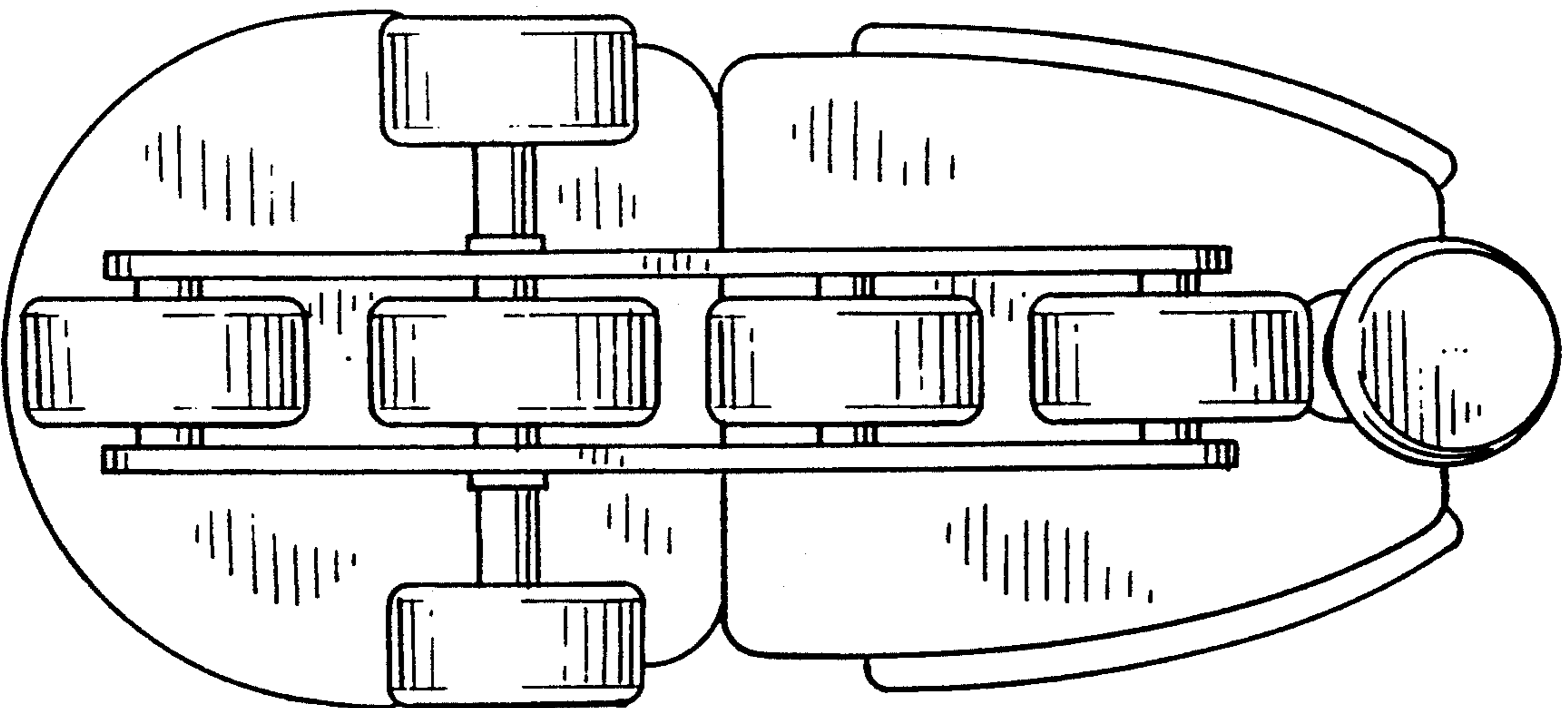


FIG. 7

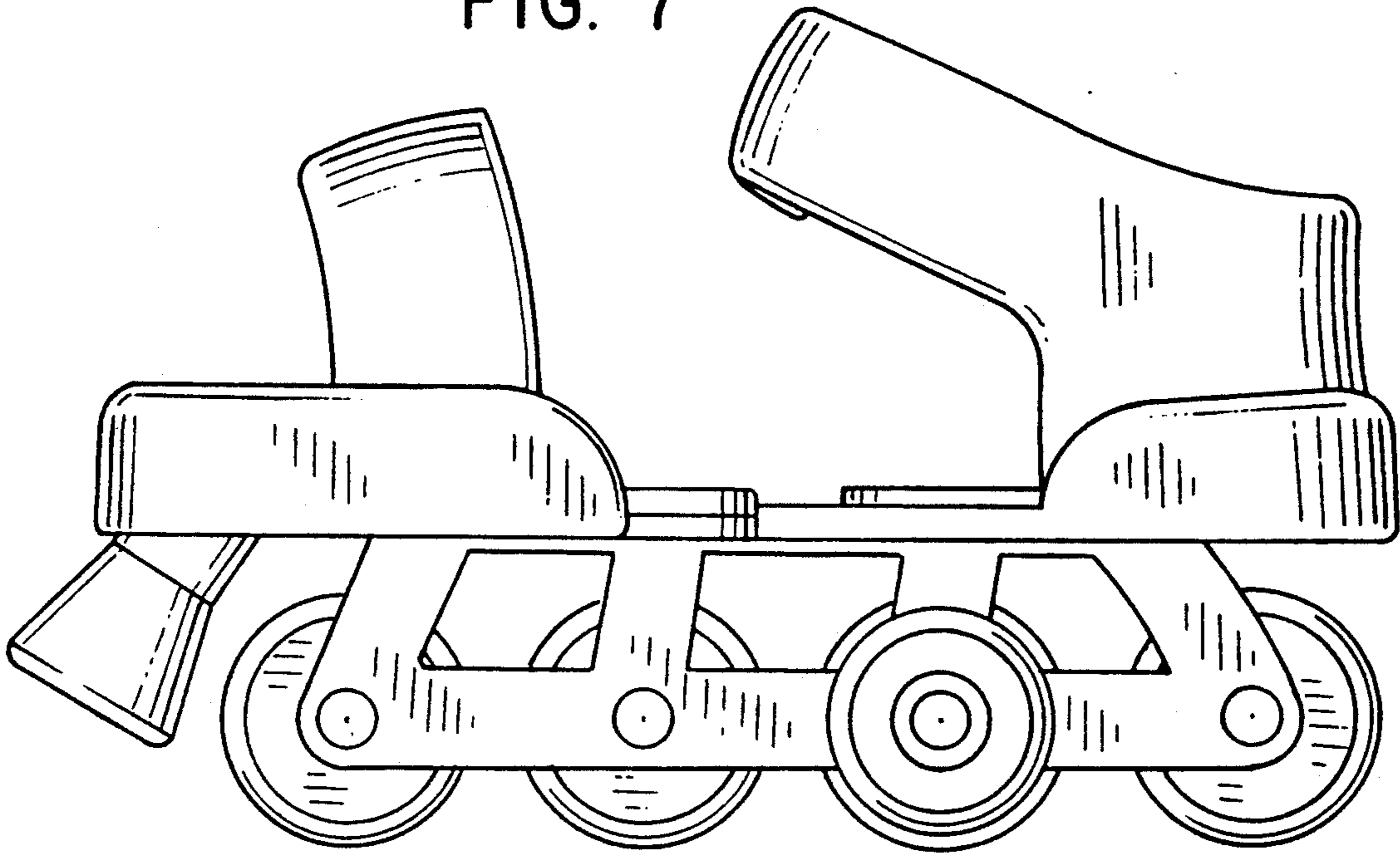


FIG. 8

