



US00D337361S

United States Patent [19]

[11] Patent Number: **Des. 337,361**

Engel et al.

[45] Date of Patent: **** Jul. 13, 1993**

[54] MULTI-PURPOSE TORSO EXERCISE APPARATUS

[75] Inventors: **Timothy S. Engel, Mound; Frank W. Campbell, Robbinsdale; Weston L. Cutter, Mendota Heights, all of Minn.**

[73] Assignee: **NordicTrack, Inc., Chaska, Minn.**

[**] Term: **14 Years**

[21] Appl. No.: **751,693**

[22] Filed: **Aug. 29, 1991**

[52] U.S. Cl. **D21/191**

[58] Field of Search **D21/191, 195; 482/140, 482/97, 98, 99, 101, 102, 100**

[56] References Cited

U.S. PATENT DOCUMENTS

D. 281,712	12/1985	Stedman	D21/195
4,240,626	12/1980	Lambert, Jr.	482/100
4,621,807	11/1986	Stramer	482/100
4,627,619	12/1986	Rockwell et al.	482/97

OTHER PUBLICATIONS

Sharper Image Catalog, 1984, p. 38, Nautilus Back Exerciser.

Primary Examiner—Bernard Ansher

Assistant Examiner—P. Hyder

[57] CLAIM

The ornamental design for a multi-purpose torso exercise apparatus, as shown.

DESCRIPTION

FIG. 1 is a perspective view of a multi-purpose torso exercise apparatus showing my new design;

FIG. 2 is a front view of the multi-purpose torso exercise apparatus of FIG. 1;

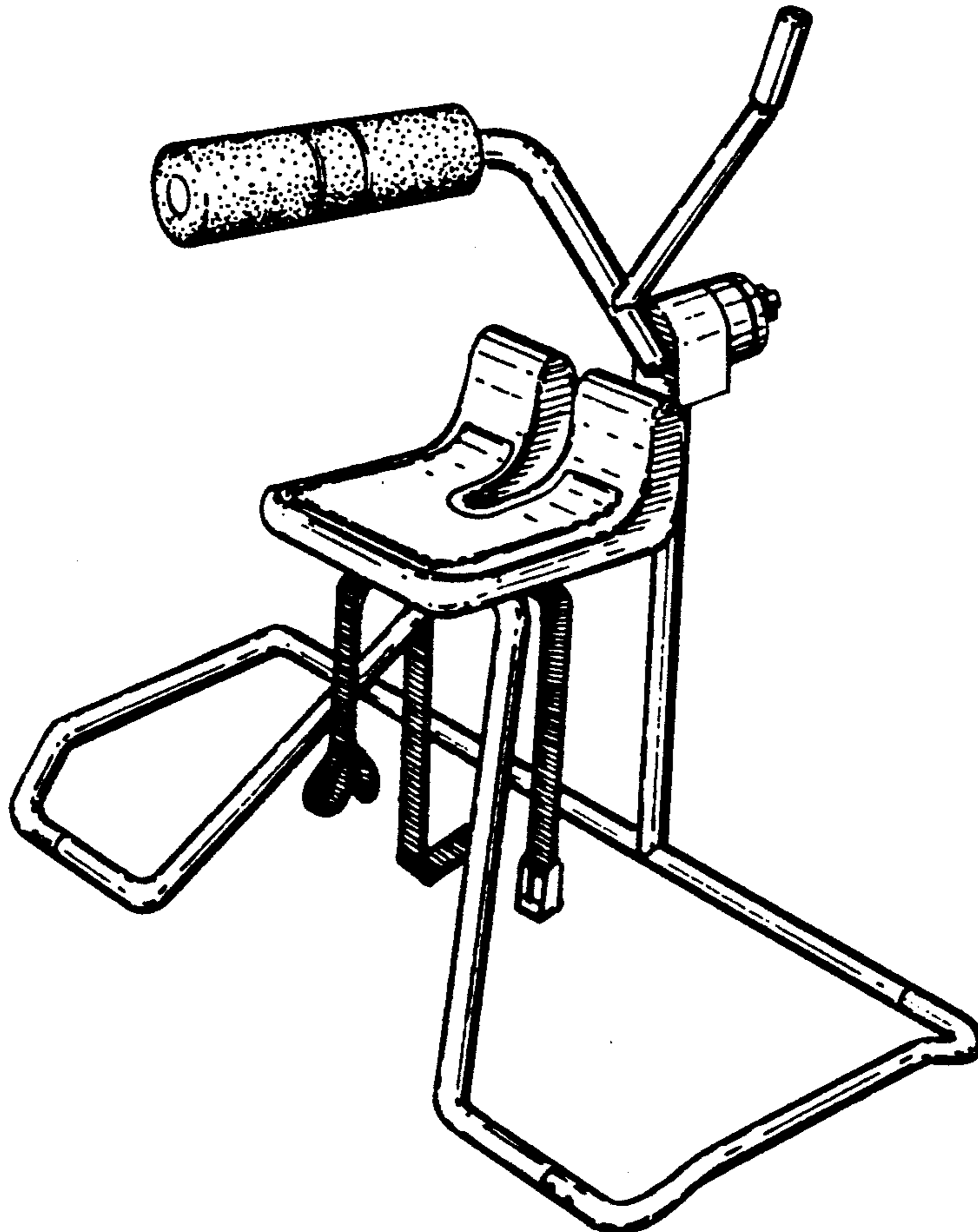
FIG. 3 is a rear view of the multi-purpose torso exercise apparatus of FIG. 1;

FIG. 4 is a left side view of the multi-purpose torso exercise apparatus of FIG. 1;

FIG. 5 is a right side view of the multi-purpose torso exercise apparatus of FIG. 1;

FIG. 6 is a top view of the multi-purpose torso exercise apparatus; and,

FIG. 7 is a bottom view of the multi-purpose torso exercise apparatus.



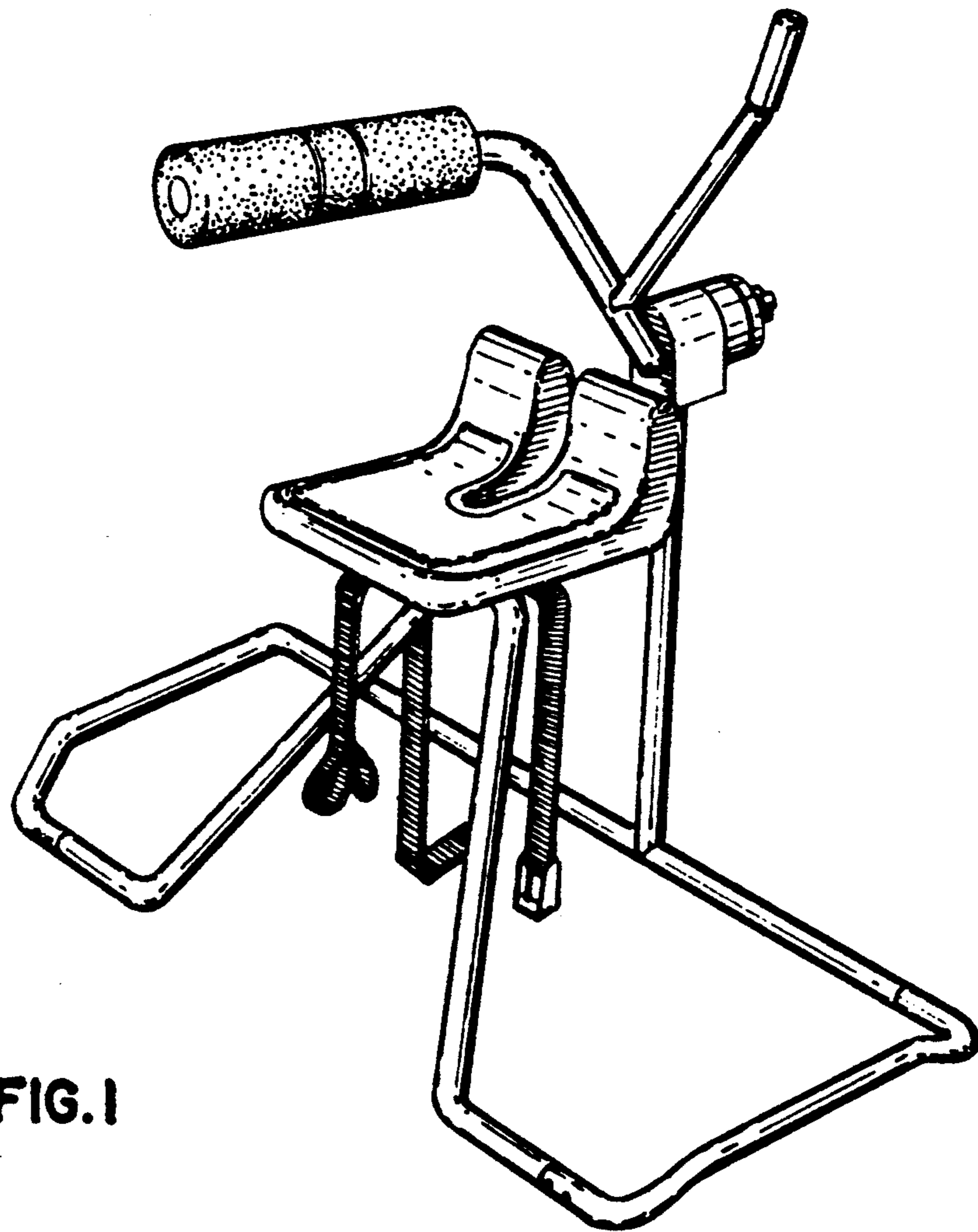


FIG. 1

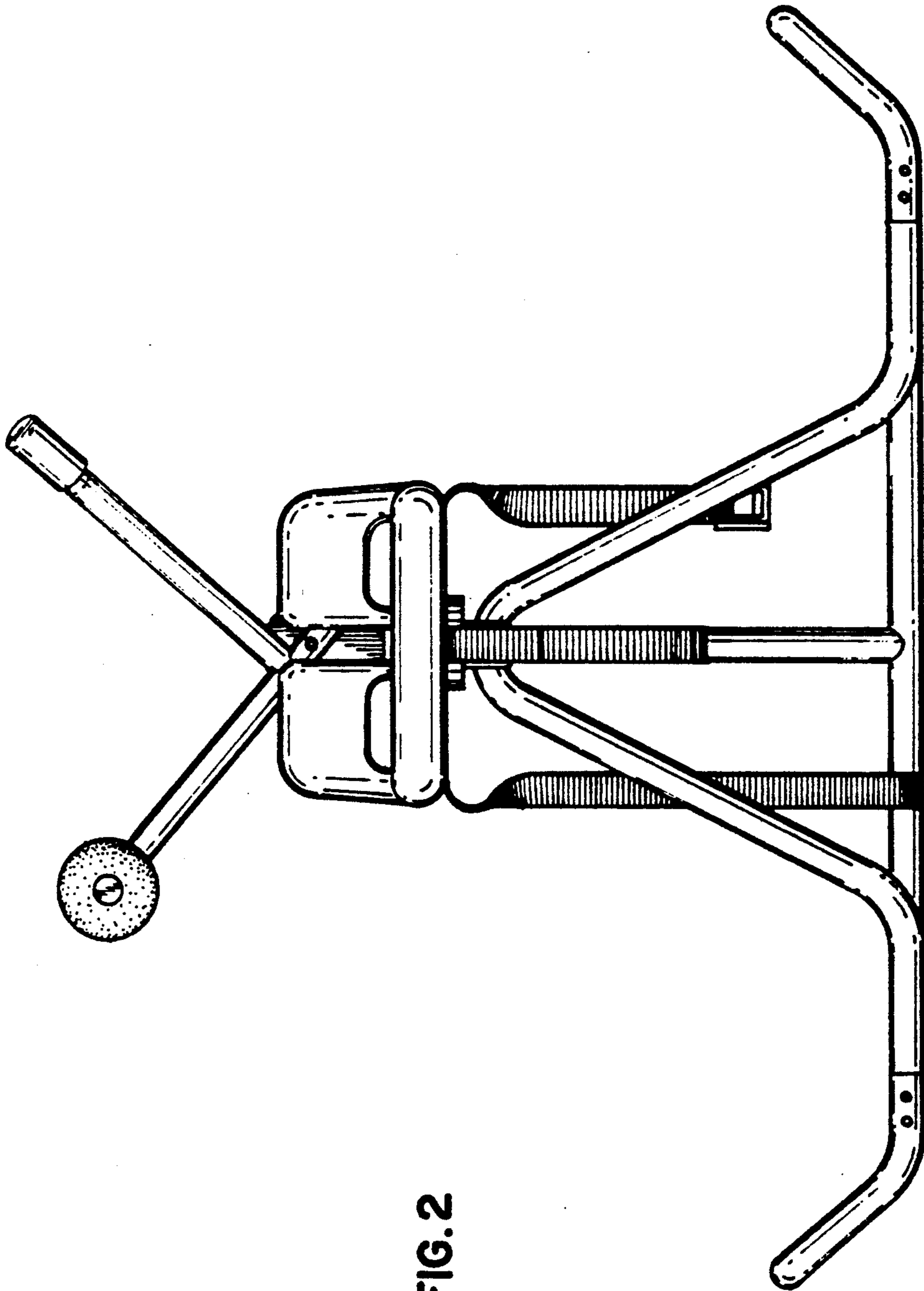


FIG. 2

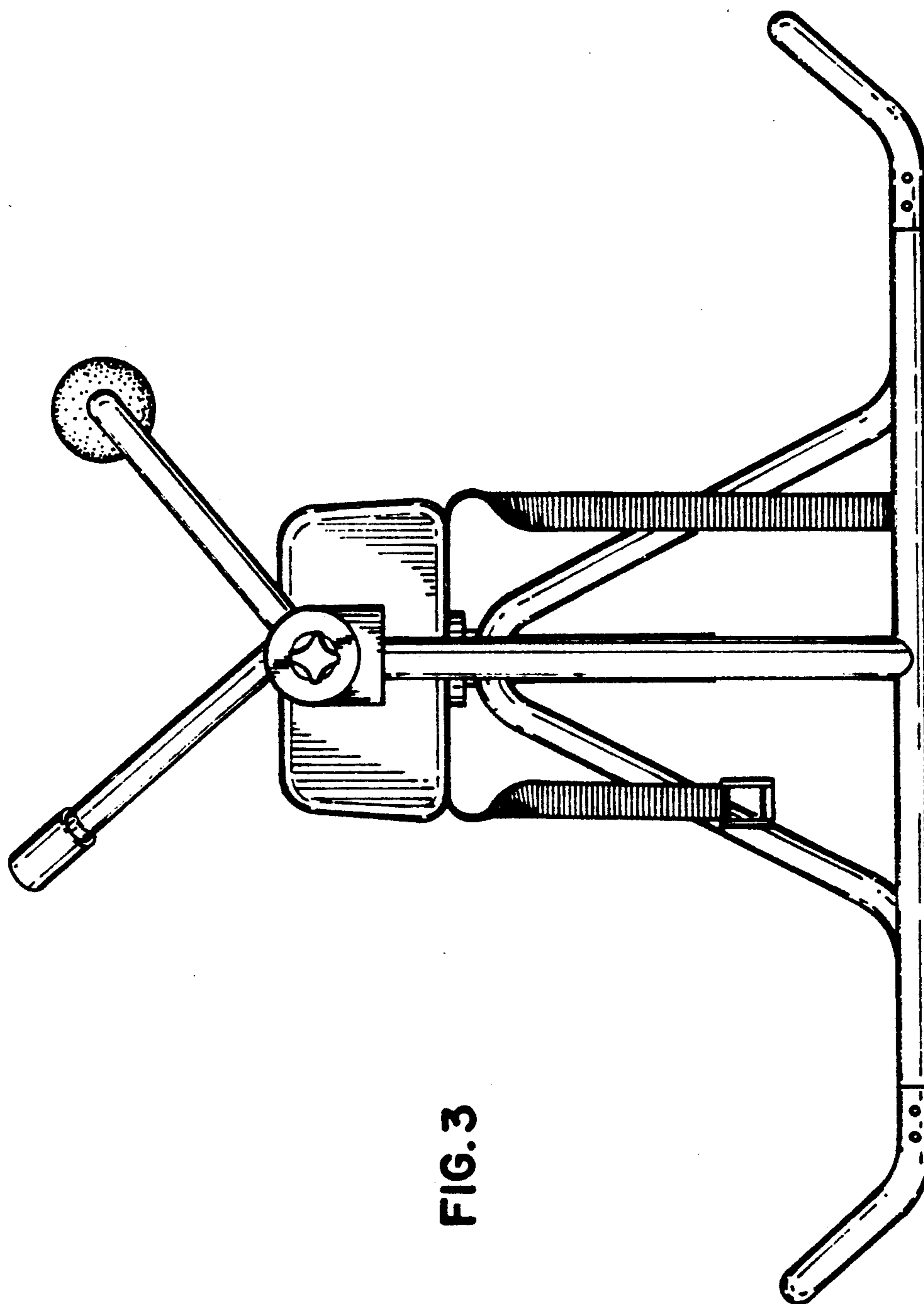


FIG. 3

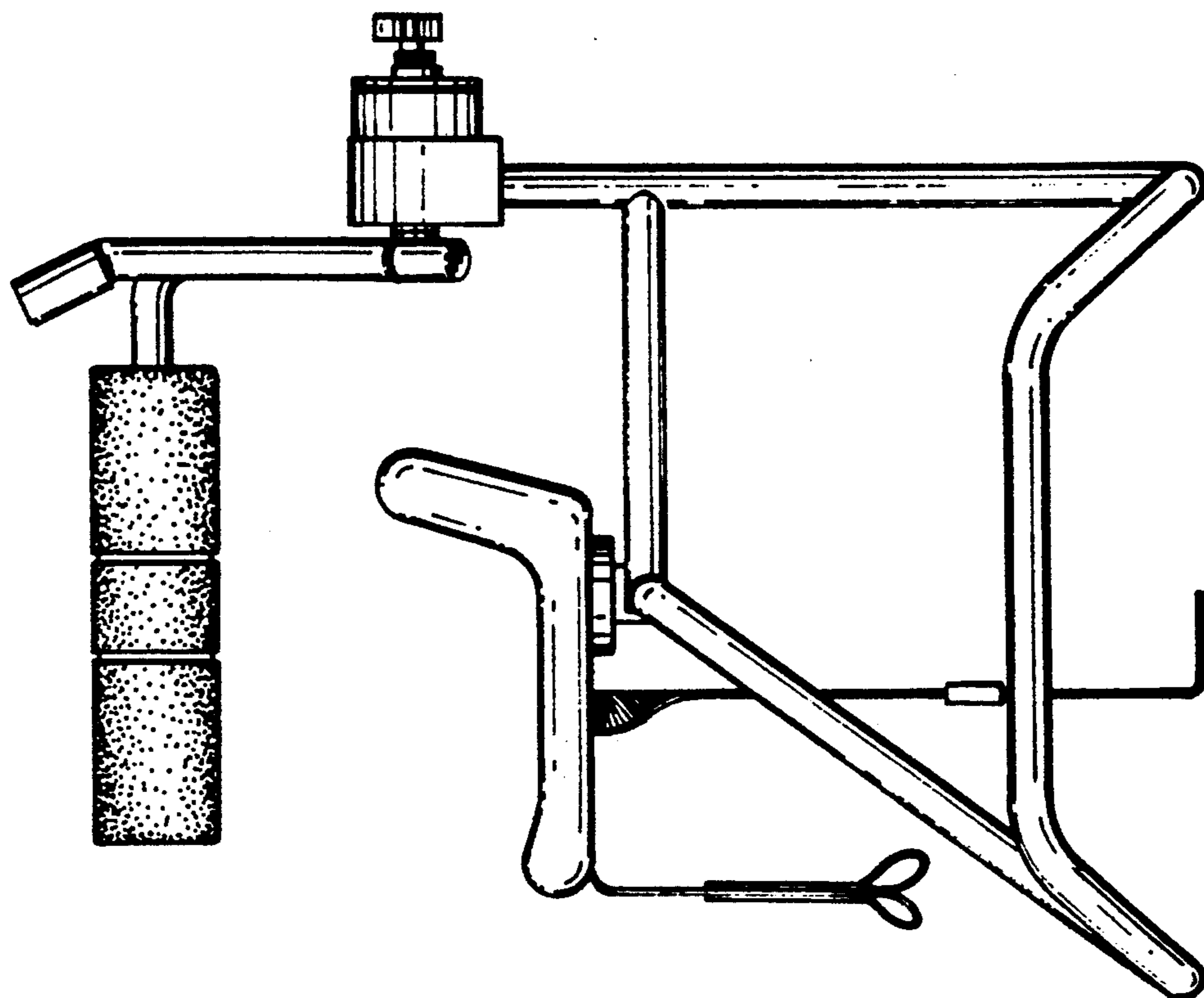


FIG. 5

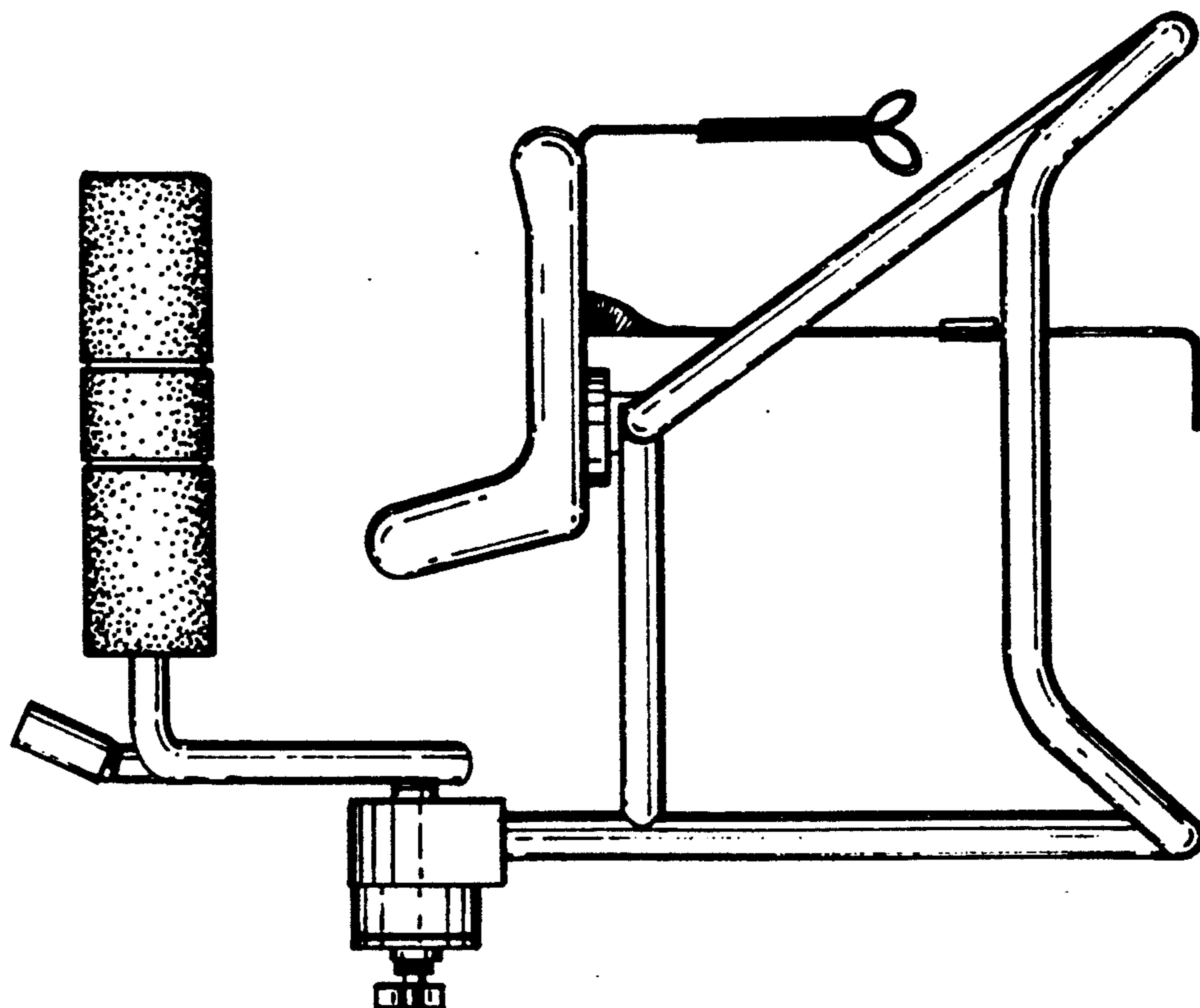


FIG. 4

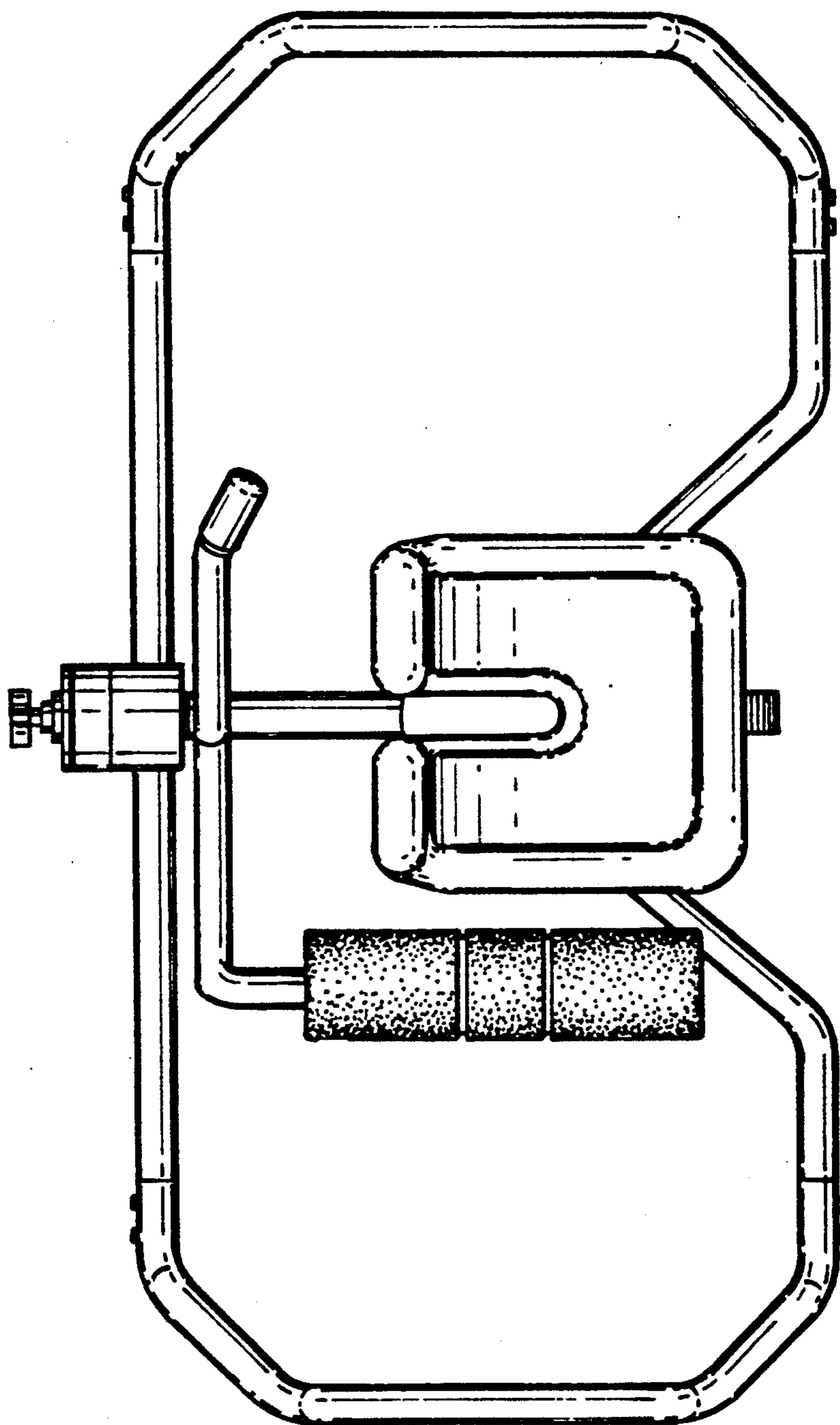


FIG. 6

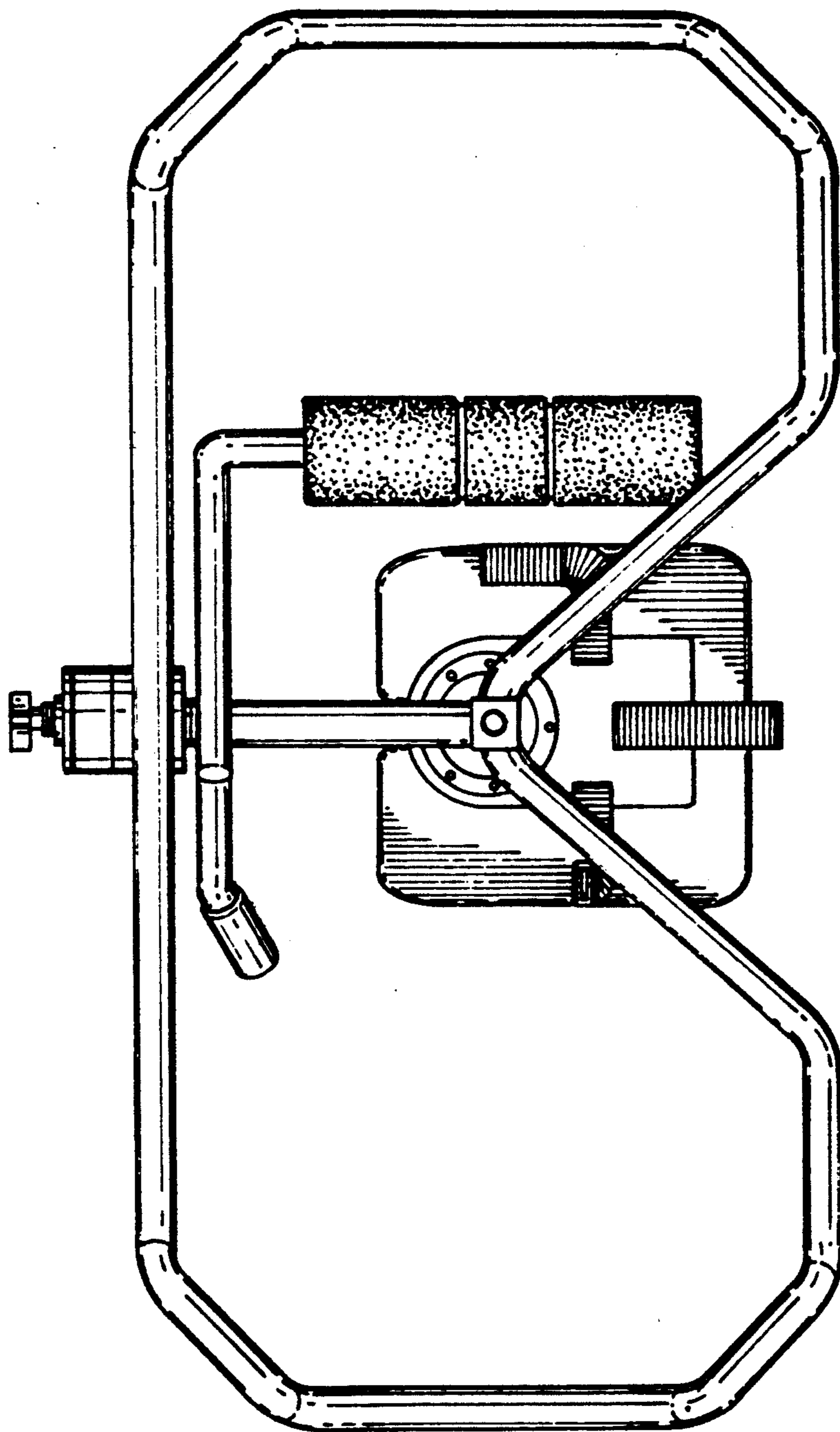


FIG. 7