



US00D337351S

# United States Patent [19]

[11] Patent Number: **Des. 337,351**

Chern

[45] Date of Patent: **\*\* Jul. 13, 1993**

[54] ORGANIZER FOR ASSORTED DESK ARTICLES

[76] Inventor: **Ming-Bin Chern**, 270 Ba-Lian Rd., Sec. 1, Hsi-Chih Chen, Taipei Hsien, Taiwan

[\*\*] Term: **14 Years**

[21] Appl. No.: **870,698**

[22] Filed: **Apr. 16, 1992**

[52] U.S. Cl. .... **D19/75; D19/77; D19/78; D19/85; D19/86**

[58] Field of Search ..... **D19/65, 75, 77, 78, D19/81-85, 86, 91, 92, 95, 99, 100; 206/214, 224, 371; 211/69.1-69.9**

[56] **References Cited**

**U.S. PATENT DOCUMENTS**

- D. 101,710 10/1936 Patterson ..... D19/75
- D. 174,233 3/1955 Mishcon et al. .... D19/77 X
- D. 186,808 12/1959 Barnes ..... D19/75 X

- D. 267,959 2/1983 Cheung ..... D19/78
- D. 280,741 9/1985 Chatham ..... D19/77
- D. 305,246 12/1989 Kirchoff et al. .... D19/75
- D. 305,553 1/1990 Pugliese et al. .... D19/75
- D. 320,619 10/1991 Schleeh et al. .... D19/75 X
- D. 330,219 10/1992 Carlson et al. .... D19/75 X

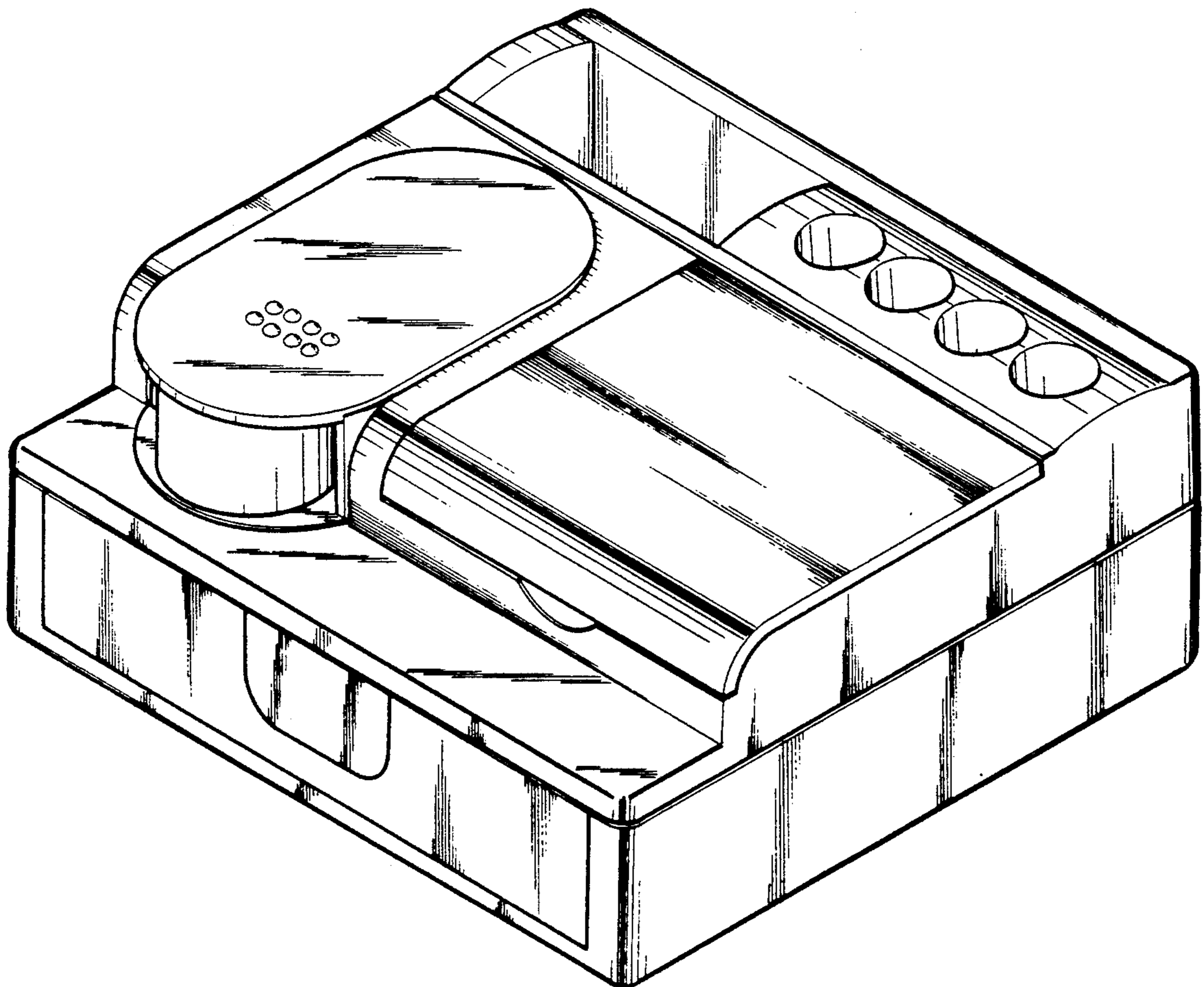
*Primary Examiner*—Nelson C. Holtje  
*Assistant Examiner*—Martha Thompson  
*Attorney, Agent, or Firm*—W. Wayne Liauh

[57] **CLAIM**

The ornamental design for an organizer for assorted desk articles, as shown and described.

**DESCRIPTION**

FIG. 1 is a top, right front perspective view of an organizer for assorted desk articles showing my new design; FIG. 2 is a right side elevational view; FIG. 3 is a left side elevational view; FIG. 4 is a front elevational view; FIG. 5 is a rear elevational view; FIG. 6 is a top plan view thereof; and, FIG. 7 is a bottom plan view thereof.



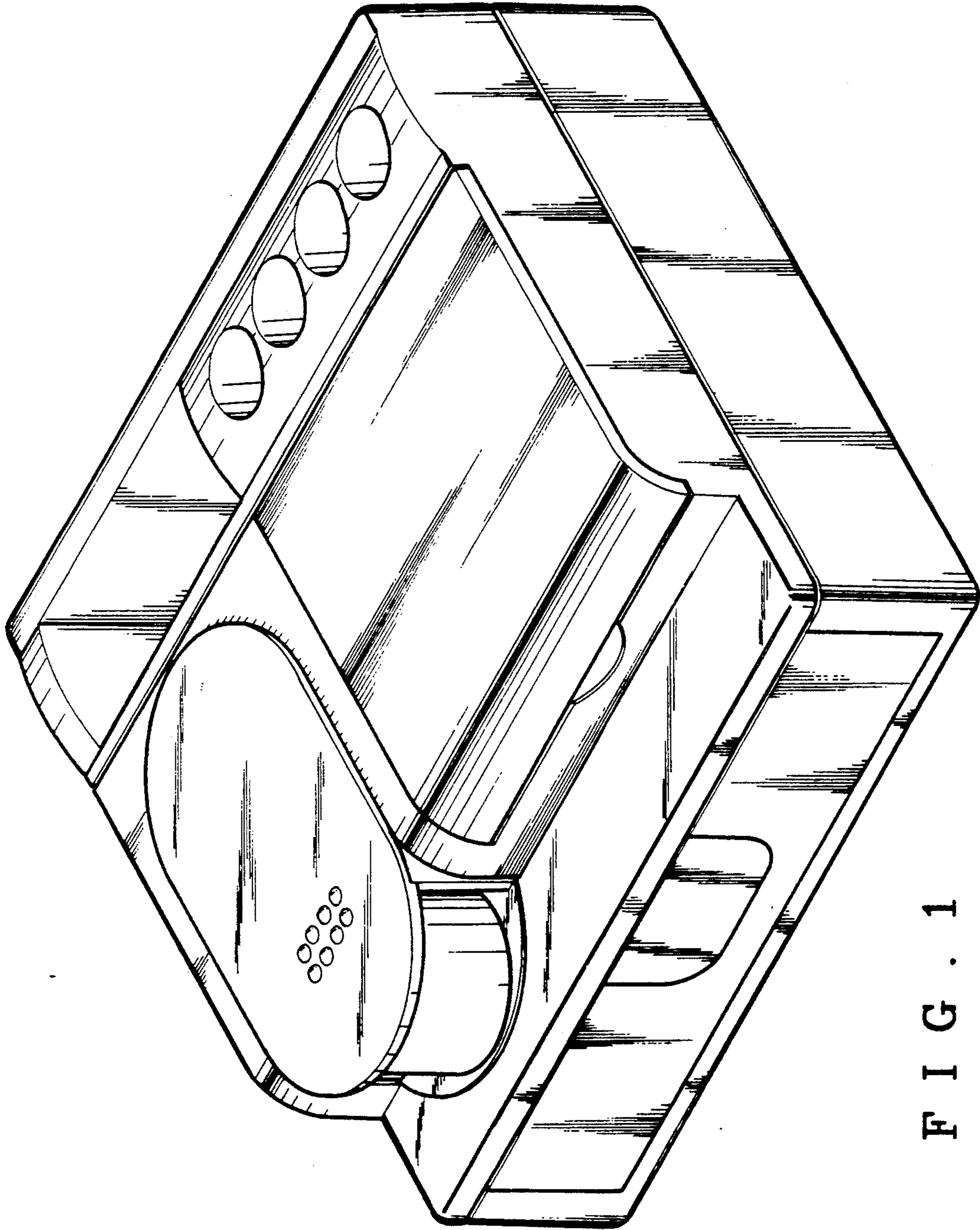


FIG. 1

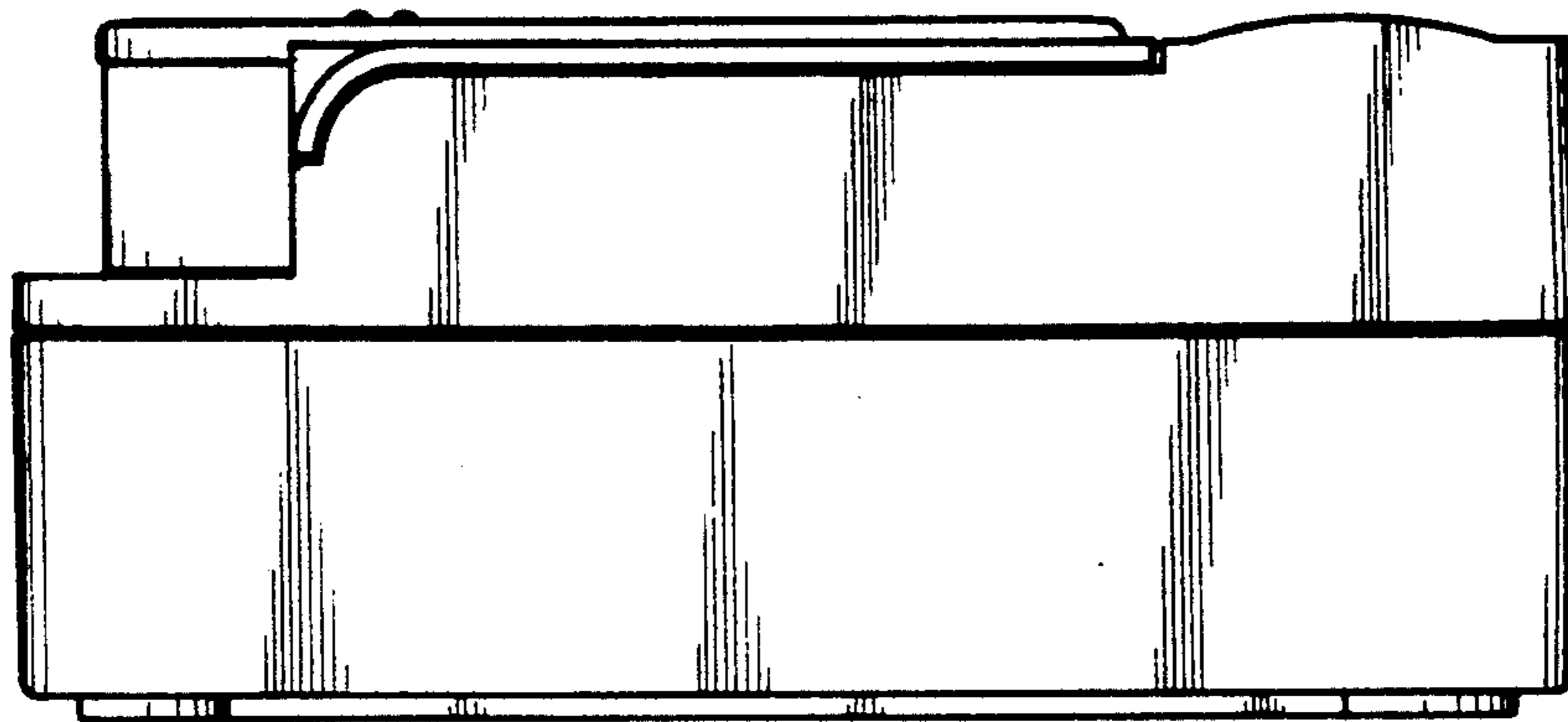


FIG. 2

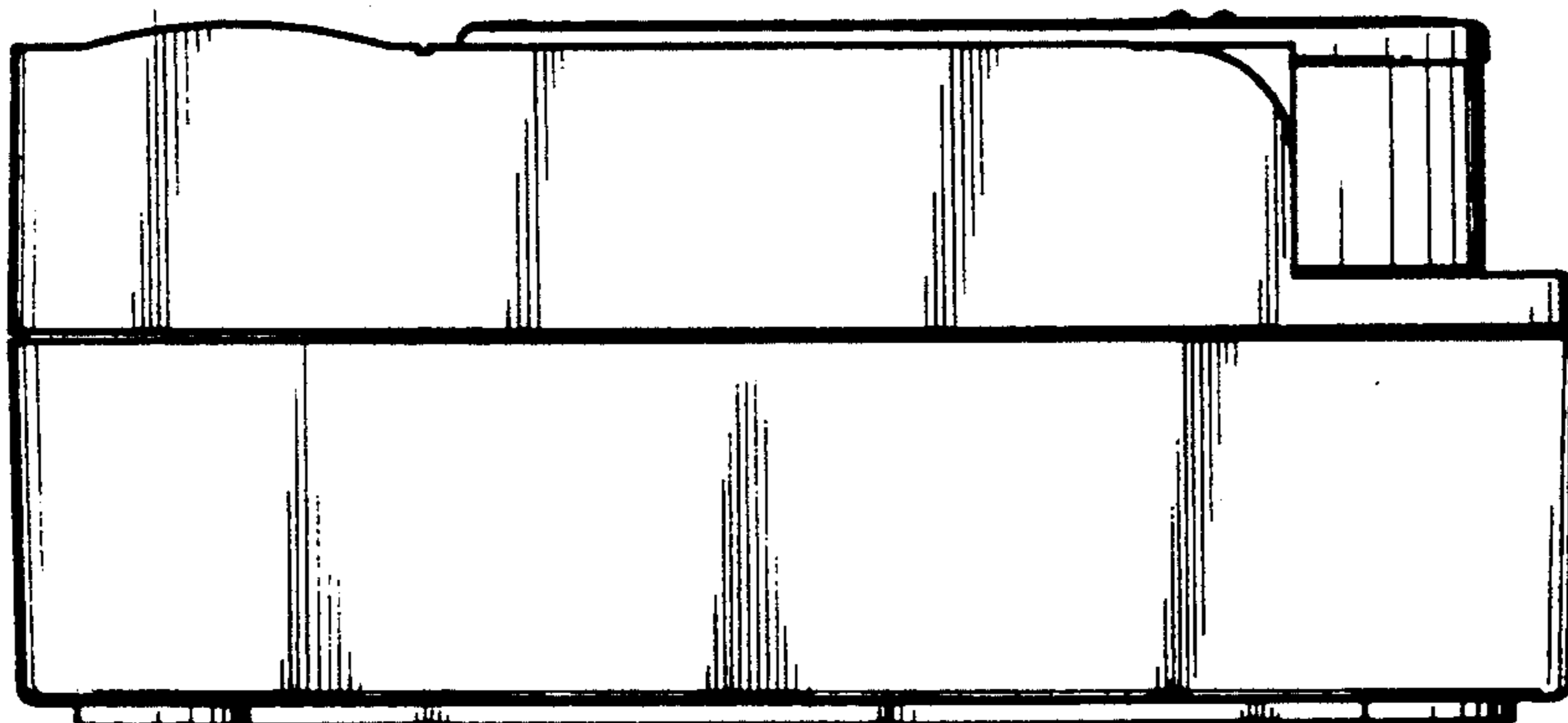
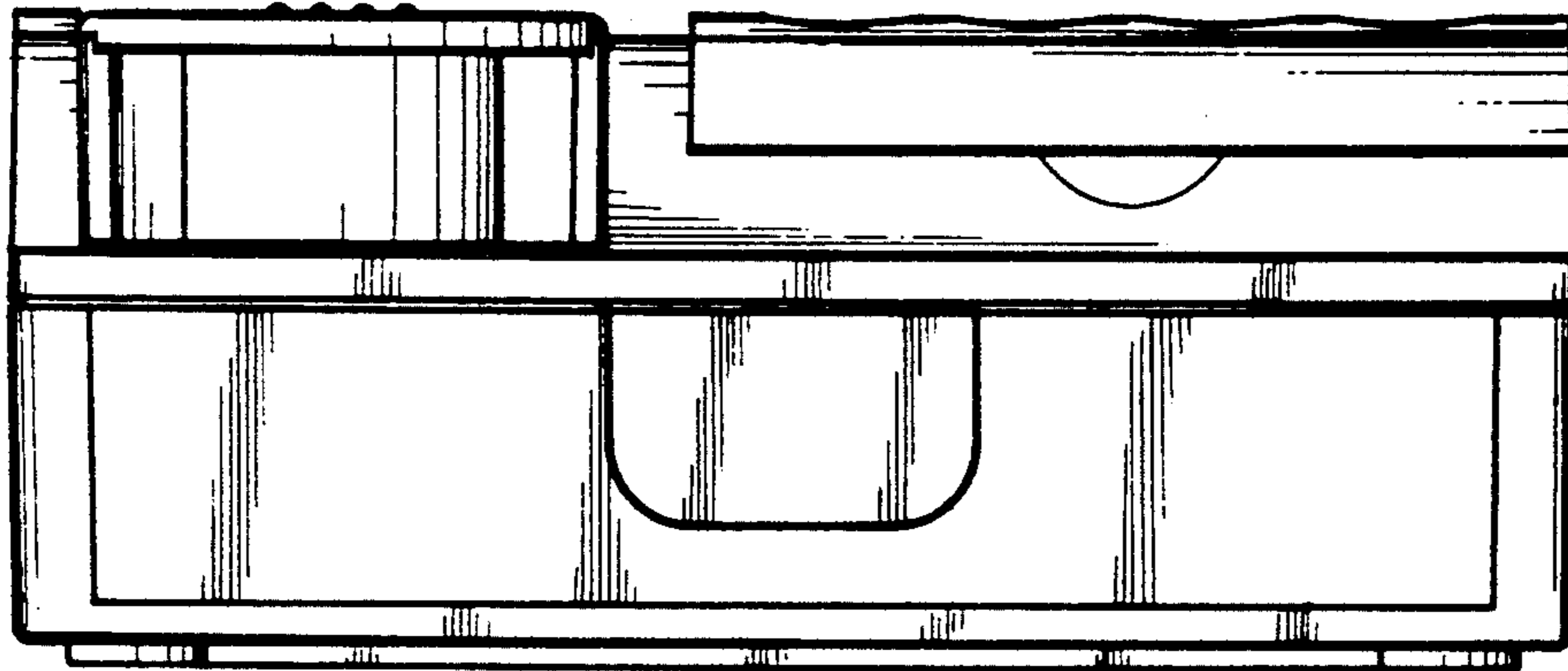
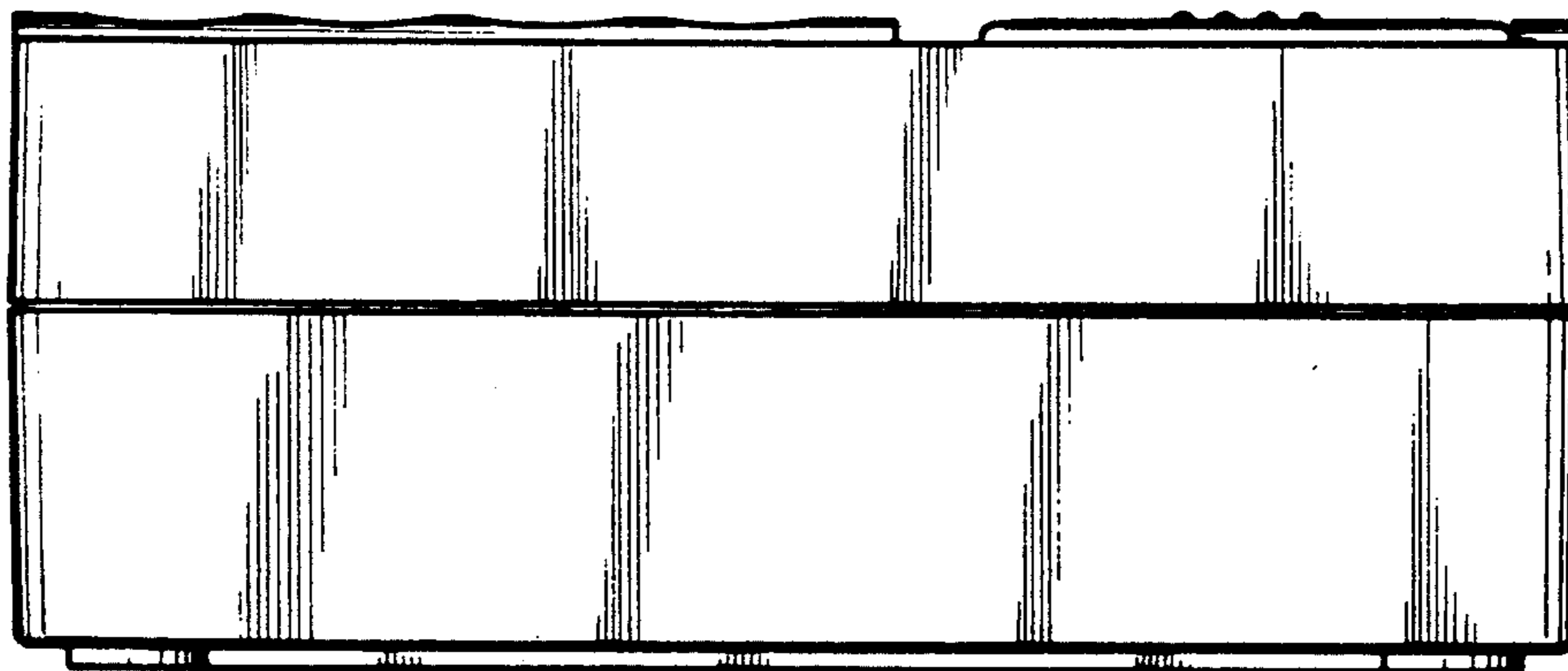


FIG. 3



F I G . 4



F I G . 5

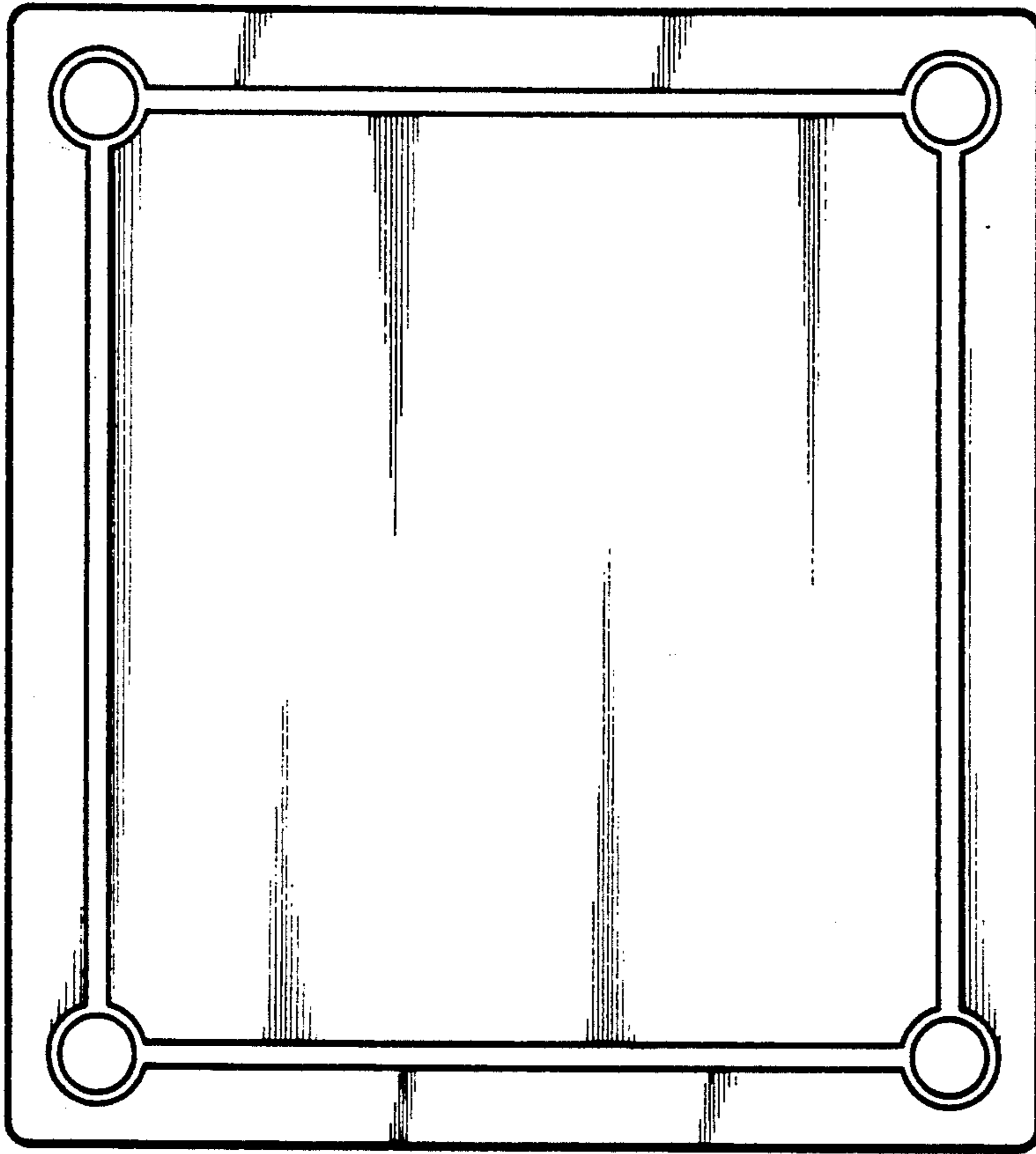


FIG. 7

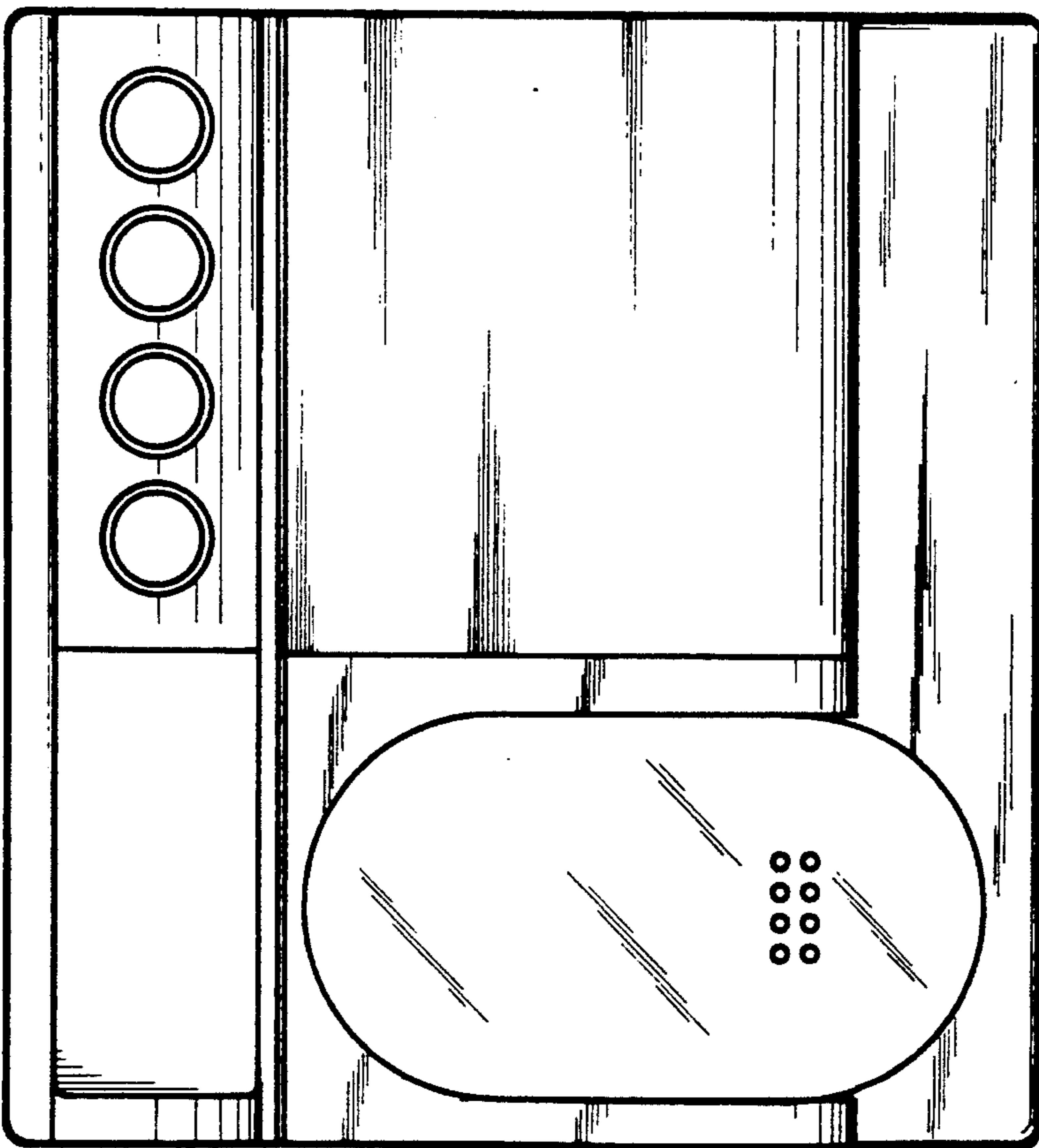


FIG. 6