



US00D337348S

United States Patent [19]

[11] Patent Number: **Des. 337,348**

Motev et al.

[45] Date of Patent: **** Jul. 13, 1993**

[54] **CURING APPARATUS FOR SCREEN PRINTERS**

5,136,938 8/1992 Pallegrina 101/488

[75] Inventors: **Phil Motev, Deerfield; Rick L. Fuqua, Chicago, both of Ill.**

FOREIGN PATENT DOCUMENTS

0143568 6/1985 European Pat. Off. 101/424.1
1159009 6/1958 France 34/4

[73] Assignee: **American Screen Printing Equipment Co., Chicago, Ill.**

OTHER PUBLICATIONS

[**] Term: **14 Years**

Siasprint S Group brochure; Jan. 4, 1990, Sincro Spot Cure Machine; (101-126).

[21] Appl. No.: **674,029**

Satellite Flash Curing Unit brochure, (101-126).

[22] Filed: **Mar. 22, 1991**

Sias Experience U.V. Trans Portable Curing System brochure; Sias Group; (101-115).

[52] U.S. Cl. **D18/56**

Primary Examiner—A. Hugo Word

[58] Field of Search **D18/56-57, D18/59; 101/115, 126, 424.1, 488; 250/455.1; 34/4**

Assistant Examiner—Cathy Anne MacCormac
Attorney, Agent, or Firm—Fitch, Even, Tabin & Flannery

[56] References Cited

[57] CLAIM

U.S. PATENT DOCUMENTS

The ornamental design for a curing apparatus for screen printers, as shown and described.

4,054,091	10/1977	Bradley	101/115
4,097,226	6/1978	Erikson et al.	34/4
4,434,562	3/1984	Bubley et al.	34/4
4,474,109	10/1984	Yara	101/424.1
4,646,446	3/1987	Bubley	34/4
4,813,351	3/1989	Pierson, Jr.	101/115
5,050,232	9/1991	Bergman et al.	34/4
5,086,700	2/1992	Van Den Berg	101/424.1
5,094,161	3/1992	Taylor	101/126

DESCRIPTION

FIG. 1 is a perspective view of a curing apparatus for screen printers illustrating our invention; FIG. 2 is a side elevational view thereof; FIG. 3 is a top elevational view thereof; FIG. 4 is a front elevational view thereof; and, FIG. 5 is a rear elevational view thereof.

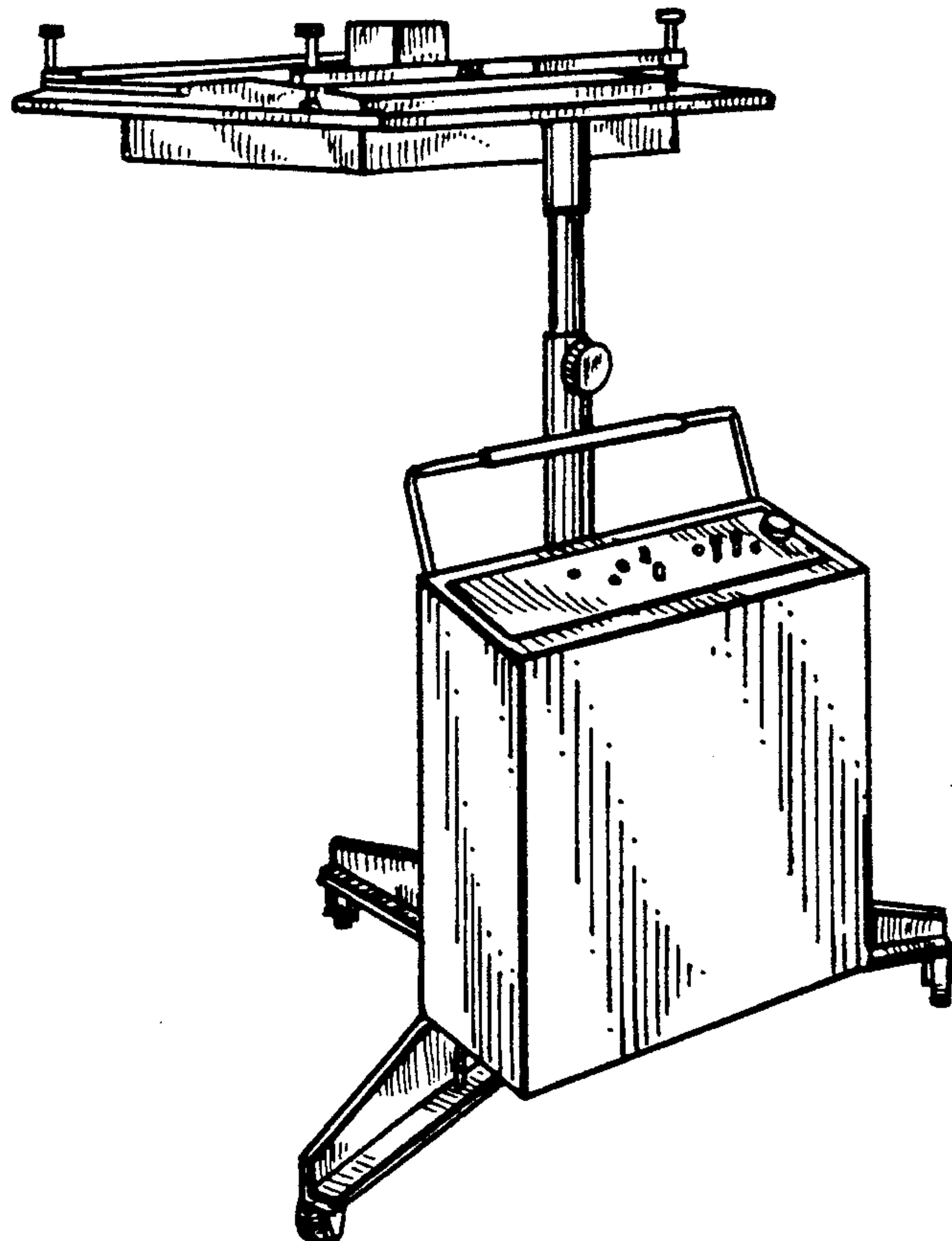


FIG. 1

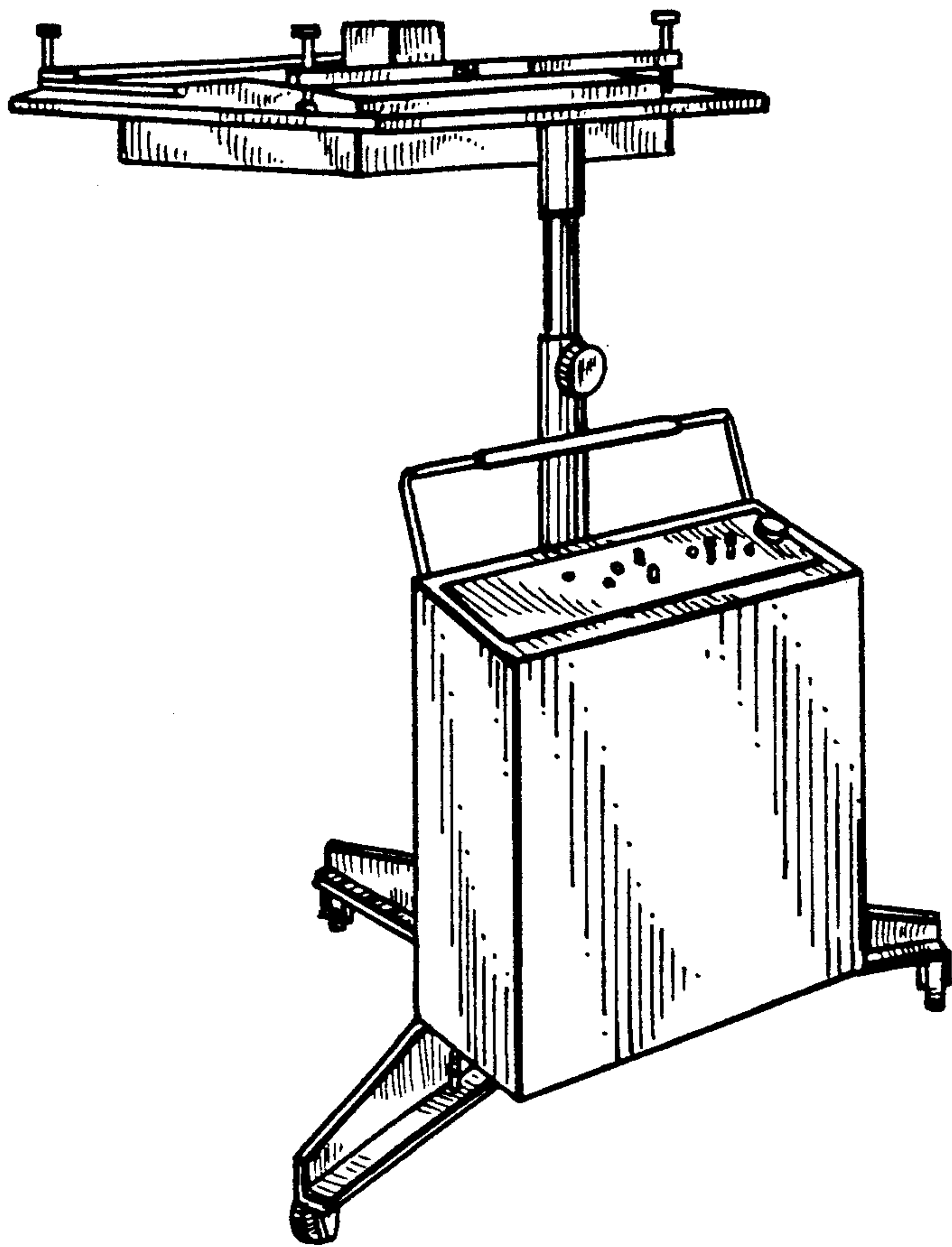


FIG. 2

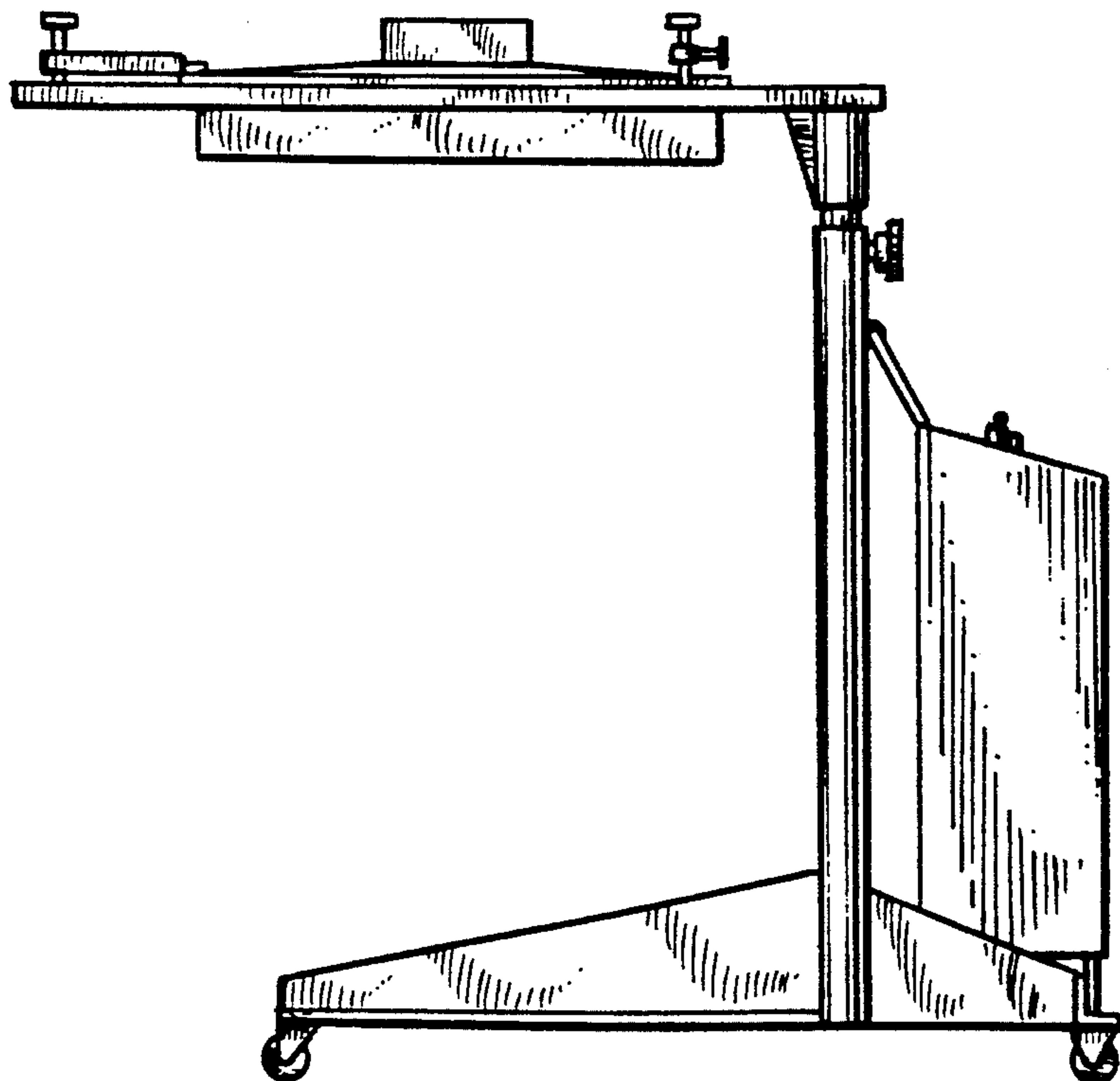


FIG. 3

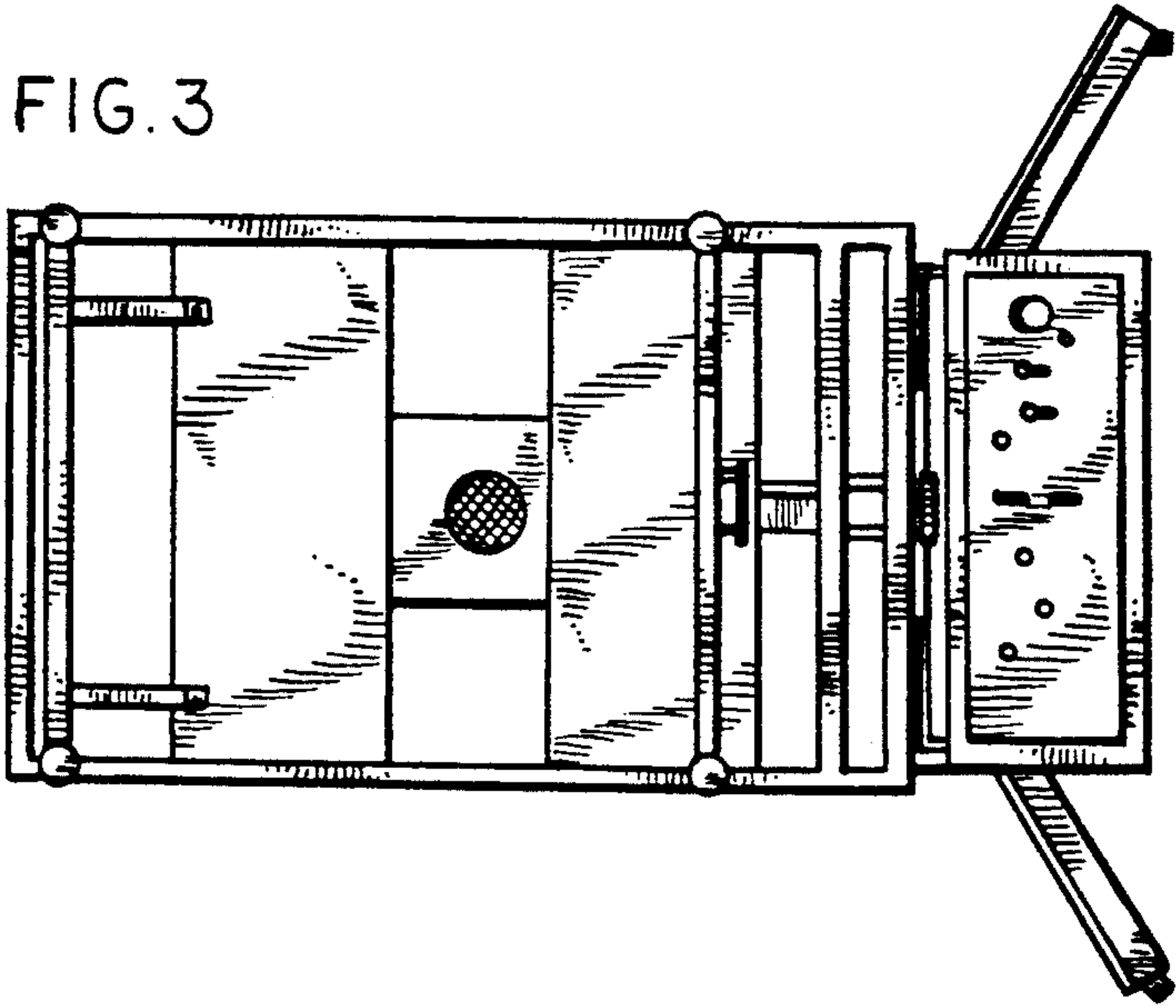


FIG. 5

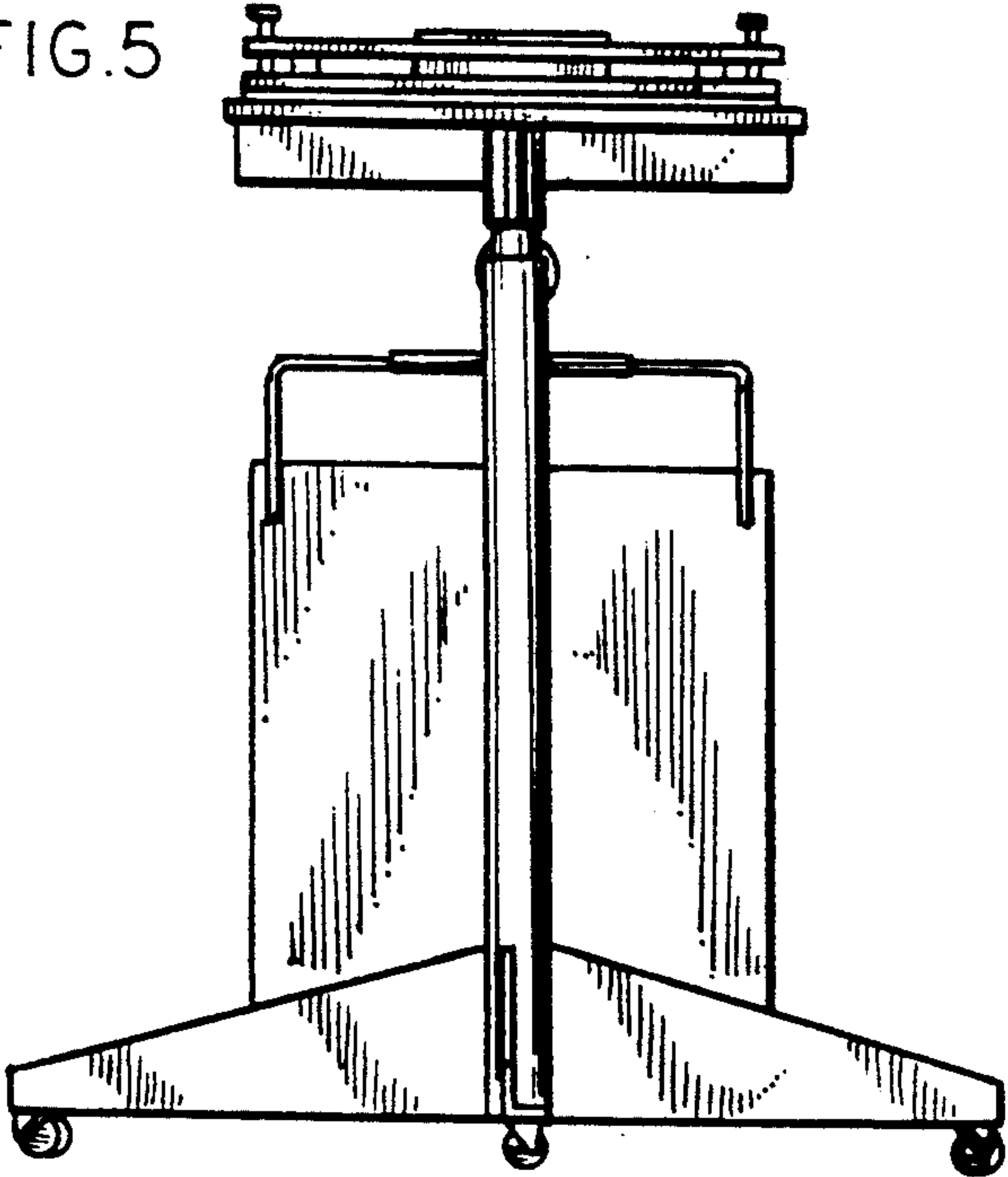


FIG. 4

