



US00D337344S

**United States Patent** [19]  
**Bae**

[11] **Patent Number: Des. 337,344**  
[45] **Date of Patent: \*\* Jul. 13, 1993**

[54] **FILM-TO-TAPE TRANSFERRING UNIT**

- [75] Inventor: **Jong-Chan Bae**, Seoul, Rep. of Korea
- [73] Assignee: **Dongyang Jonghap Corporation**,  
Chungchong Pukdo, Rep. of Korea
- [\*\*] Term: **14 Years**
- [21] Appl. No.: **596,906**
- [22] Filed: **Oct. 12, 1990**
- [52] U.S. Cl. .... **D16/225**
- [58] Field of Search ..... **D16/200, 201, 202-205,**  
**D16/208, 221, 225; 352/1, 129, 244; 355/123;**  
**358/54**

[56] **References Cited**

**U.S. PATENT DOCUMENTS**

- D. 290,708 7/1987 Rea ..... D16/225
- D. 315,742 3/1991 Matsumoto ..... D16/205
- 4,771,343 9/1988 Takenaga ..... 358/54
- 4,901,161 2/1990 Giovanella ..... 358/54

**OTHER PUBLICATIONS**

Video Review, Dec. 1985, p. 111.

*Primary Examiner*—Bernard Ansher  
*Assistant Examiner*—Adir Aronovich  
*Attorney, Agent, or Firm*—Finnegan, Henderson,  
Farabow, Garrett & Dunner

[57] **CLAIM**

The ornamental design for film-to-tape transferring unit, as shown.

**DESCRIPTION**

FIG. 1 is a perspective view of a film-to-tape transferring unit showing my new design;  
FIG. 2 is a front, elevational view thereof;  
FIG. 3 is a rear, elevational view thereof;  
FIG. 4 is a top plan view thereof;  
FIG. 5 is a bottom plan view thereof;  
FIG. 6 is a left side, elevational view thereof; and,  
FIG. 7 is a right side, elevational view thereof.

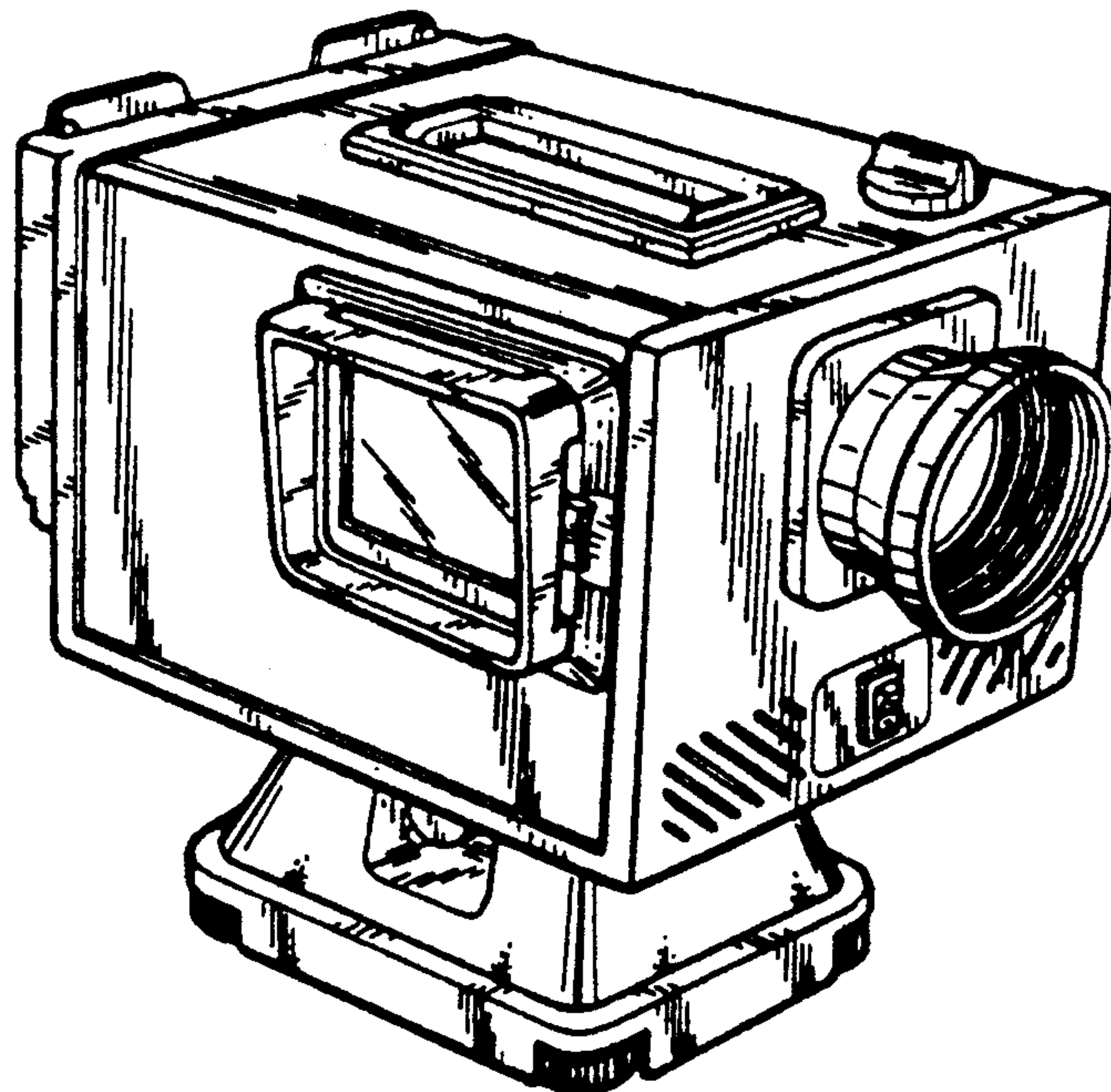


FIG. 1

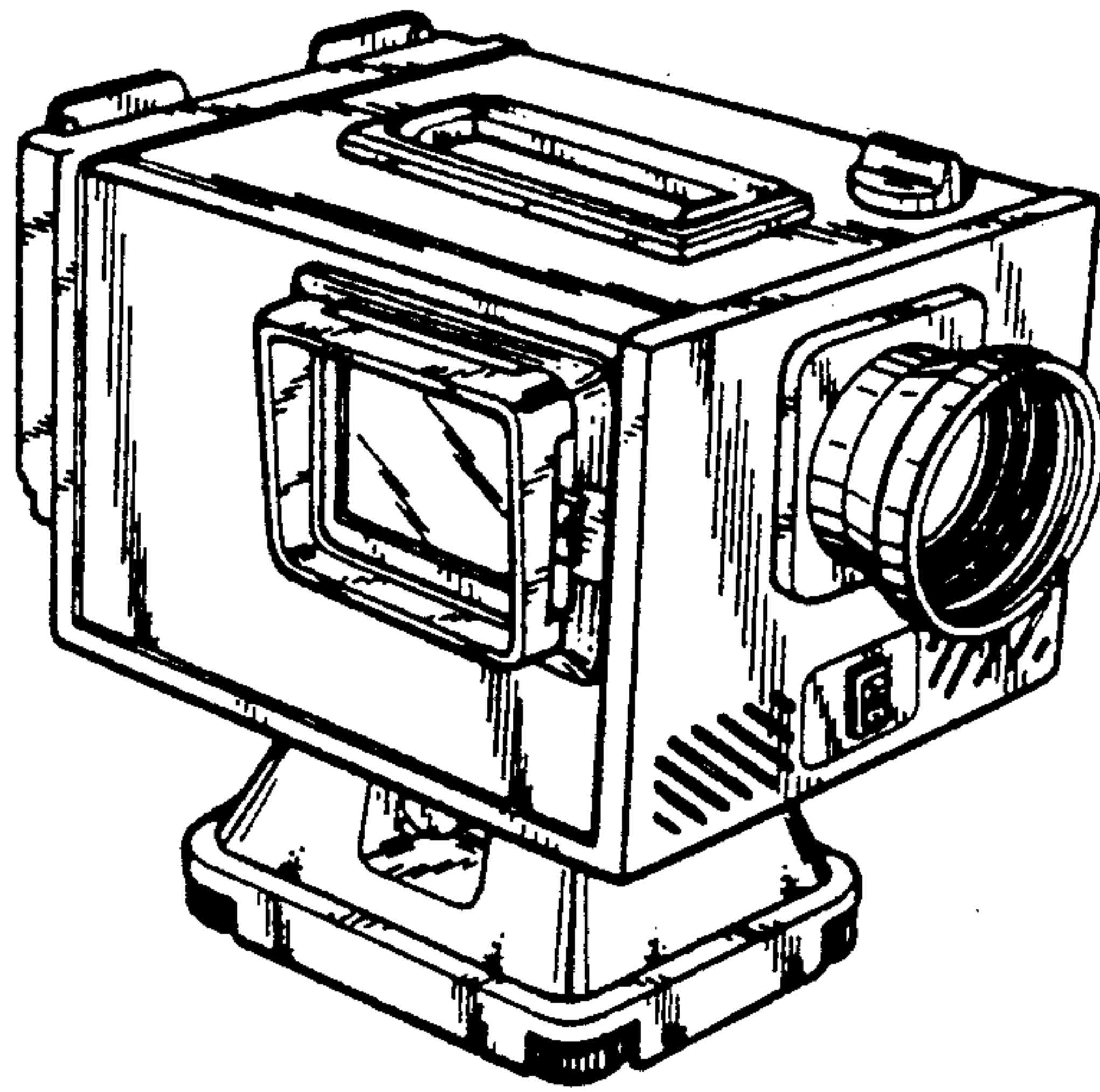


FIG. 2

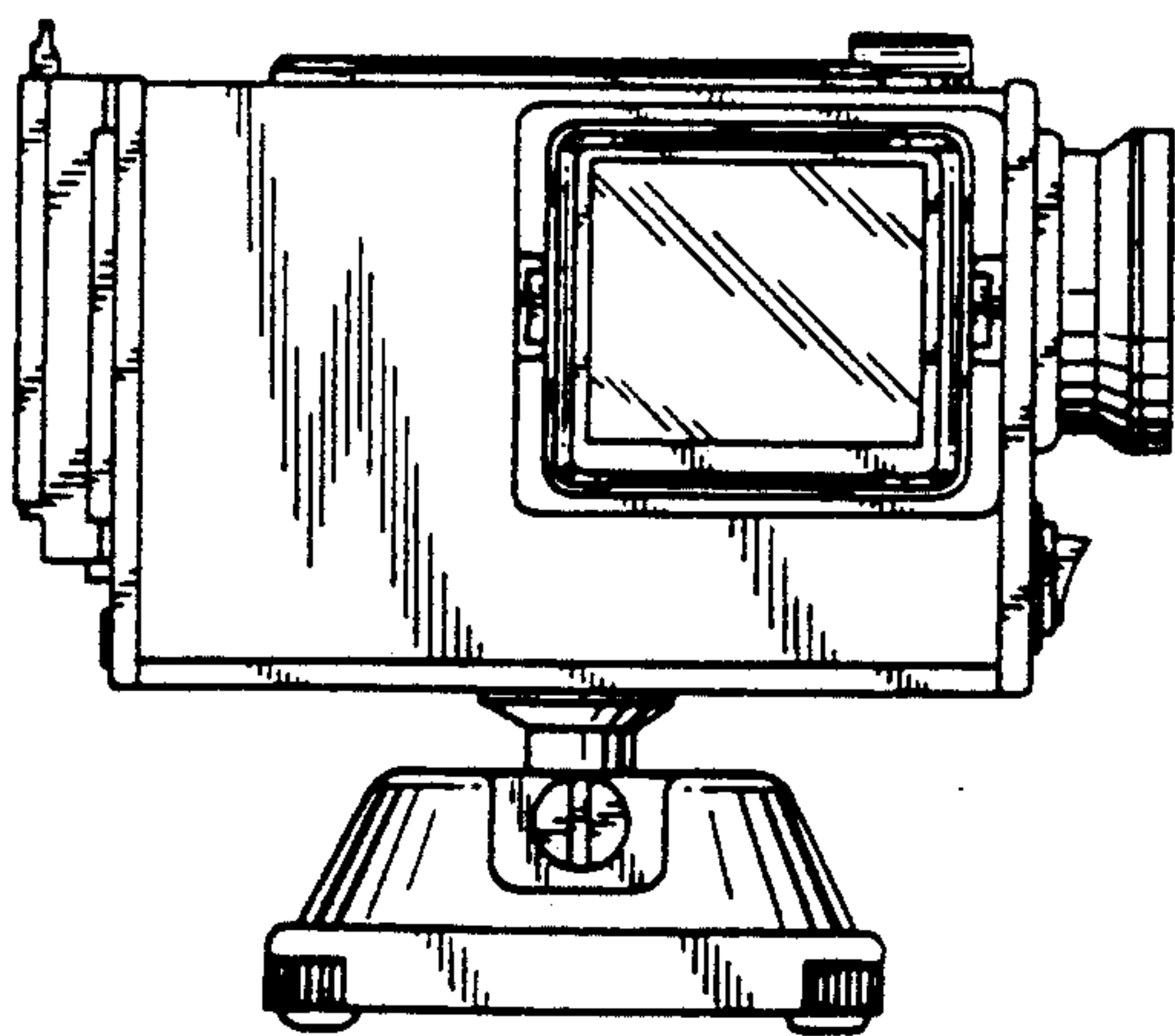


FIG. 3

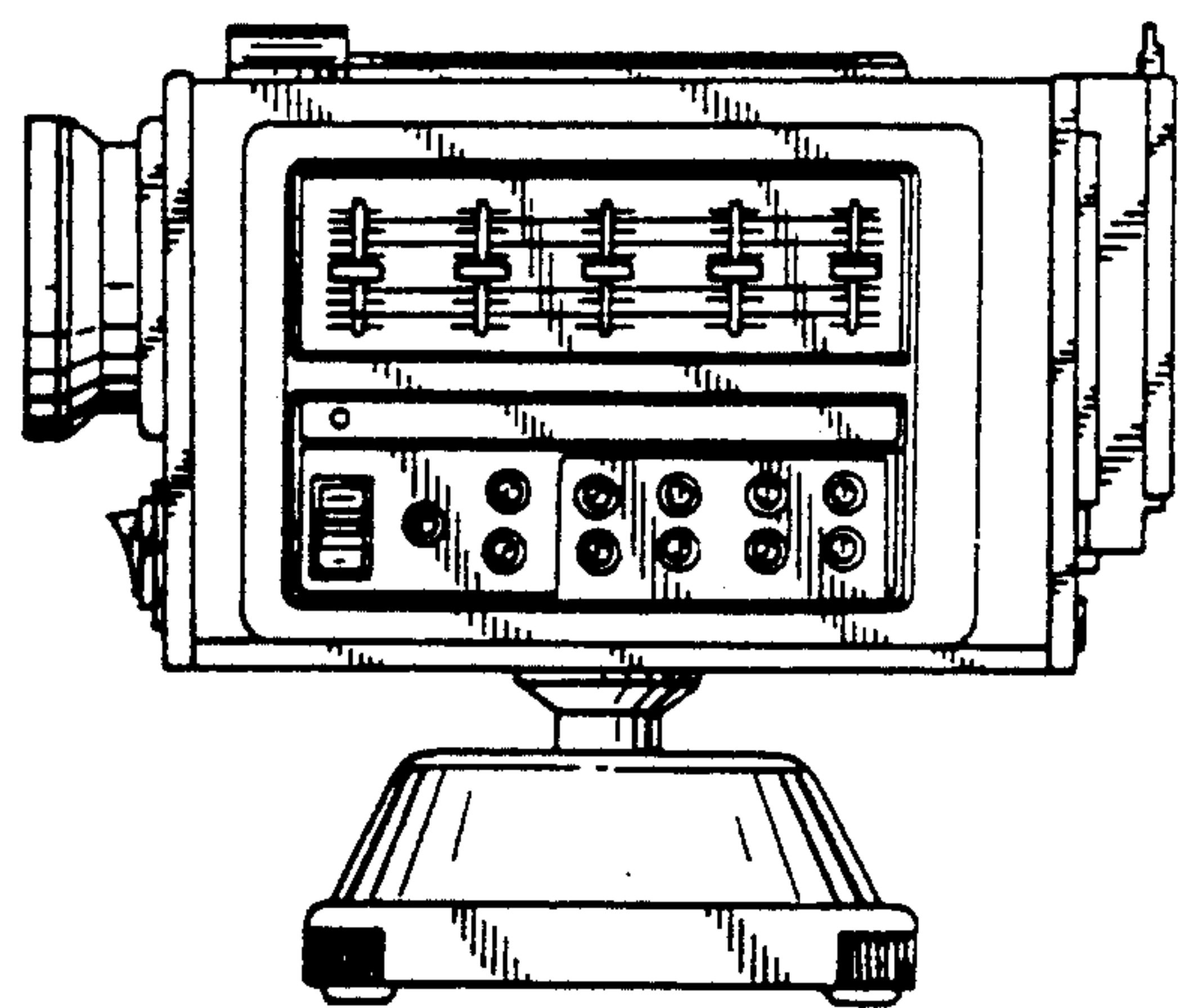


FIG. 4

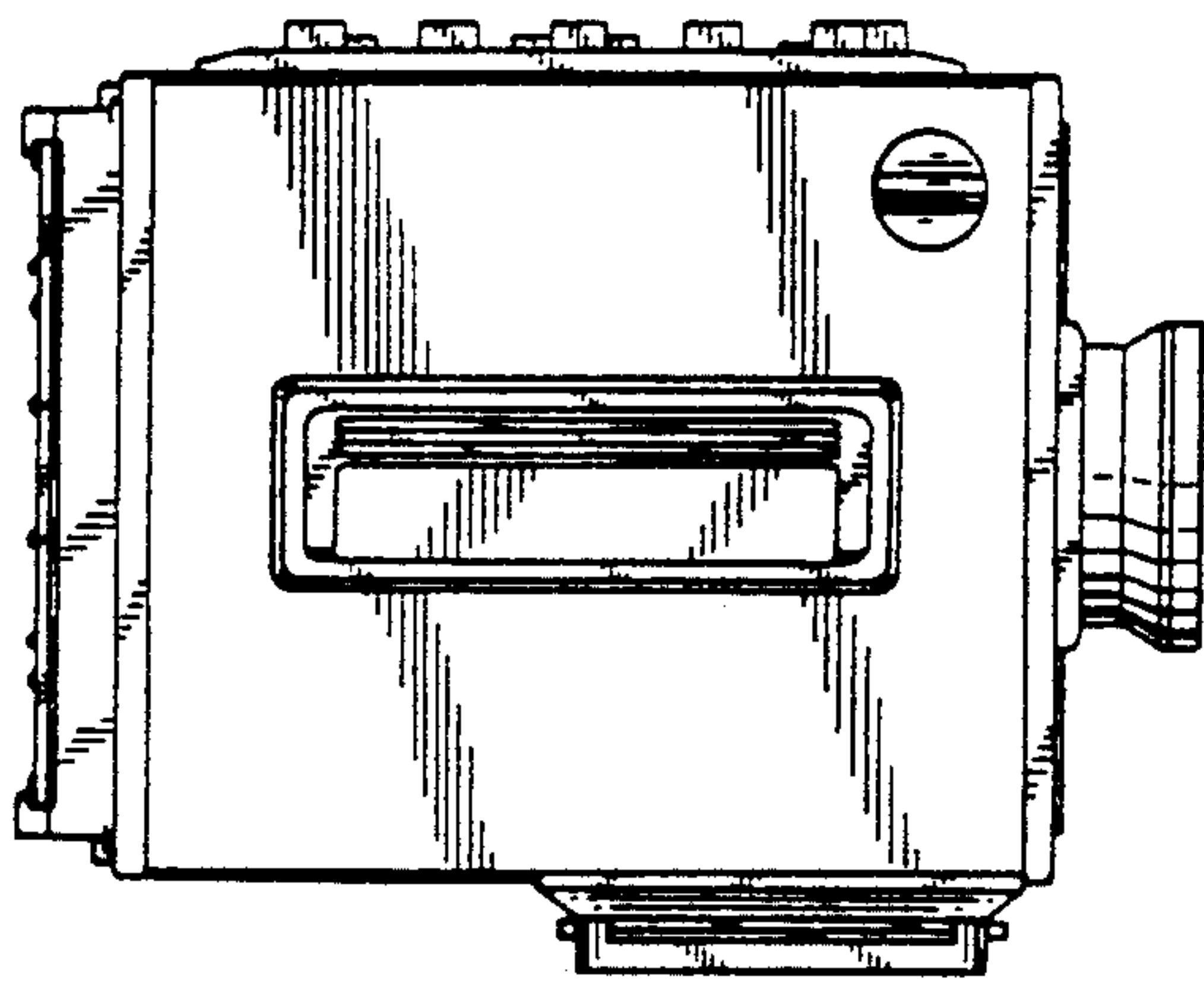


FIG. 5

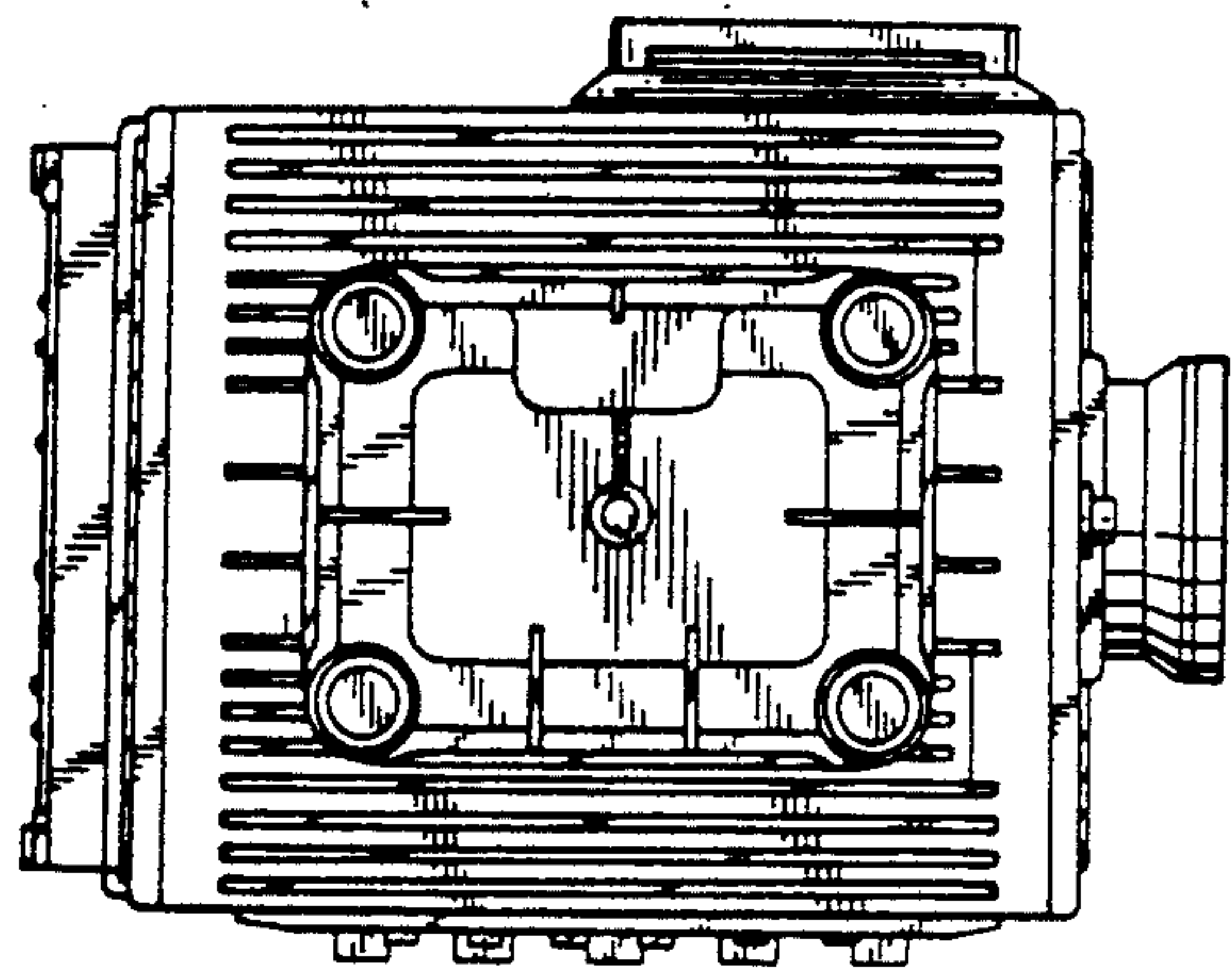


FIG. 6

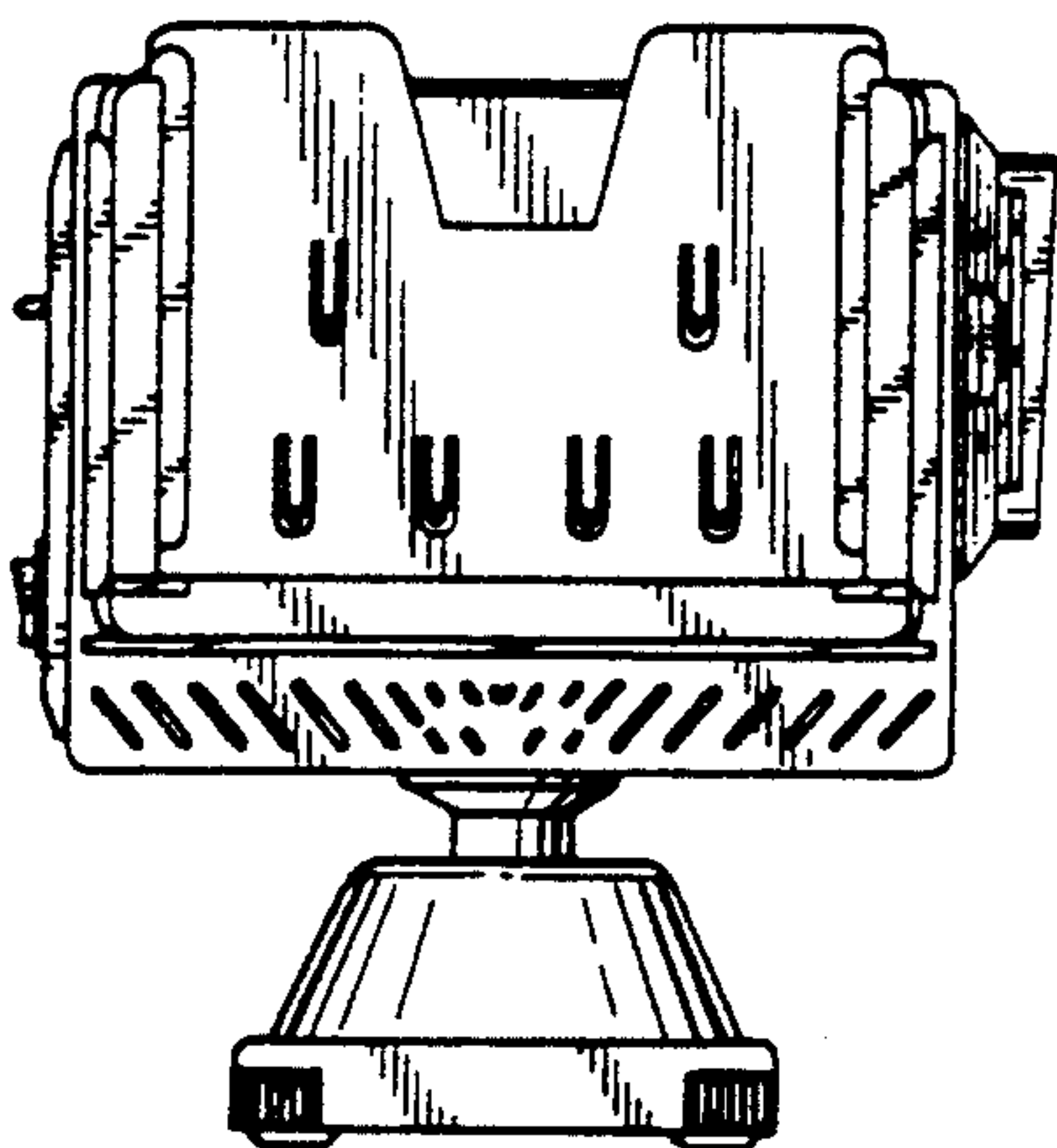


FIG. 7

