



US00D337336S

United States Patent [19]

Losdahl

[11] **Patent Number: Des. 337,336**

[45] **Date of Patent: ** Jul. 13, 1993**

[54] **BEARING SLEEVE**

[75] **Inventor: Claes H. Losdahl, Huskvarna, Sweden**

[73] **Assignee: Aktiebolaget Electrolux, Stockholm, Sweden**

[**] **Term: 14 Years**

[21] **Appl. No.: 700,647**

[22] **Filed: May 15, 1991**

[30] **Foreign Application Priority Data**

Nov. 20, 1990 [SE]	Sweden	902482
[52] U.S. Cl.		D15/143
[58] Field of Search		D15/138-143; 384/484, 477, 536

[56] **References Cited**

U.S. PATENT DOCUMENTS

D. 297,942	10/1988	Somacakis	D15/143
4,571,098	2/1986	Rudnik	384/536 X

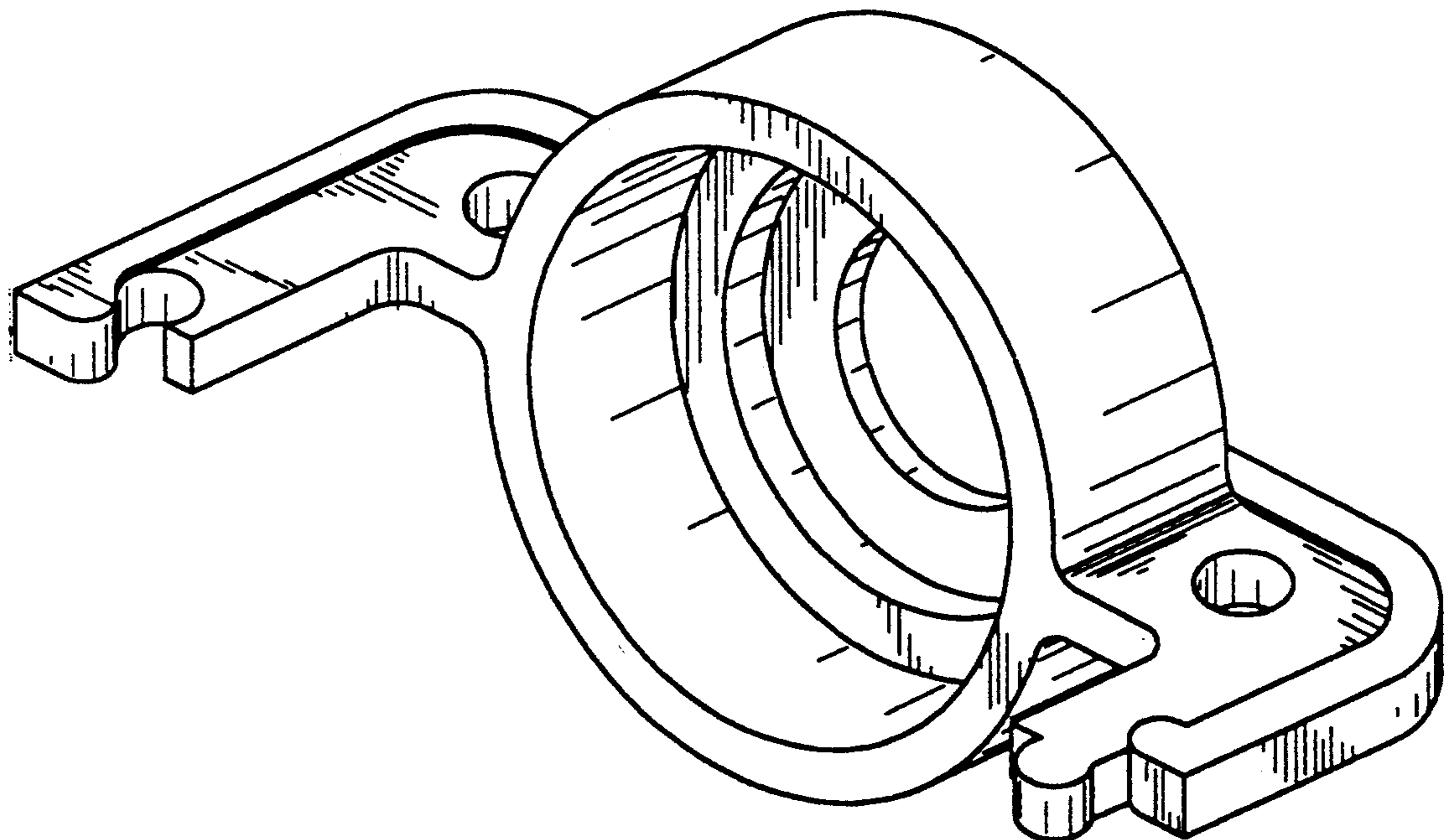
Primary Examiner—Alan P. Douglas
Assistant Examiner—A. D. Davis
Attorney, Agent, or Firm—Pearne, Gordon, McCoy & Granger

[57] **CLAIM**

The ornamental design for a bearing sleeve, as shown and described.

DESCRIPTION

FIG. 1 is a perspective view of the bearing sleeve;
 FIG. 2 is a horizontal view of the same;
 FIG. 3 is an elevation view of the rear side of the same;
 FIG. 4 is an elevation view of the front side of the same;
 FIG. 5 is a vertical projection of the right side of the same; and,
 FIG. 6 is a vertical projection of the left side of the same.



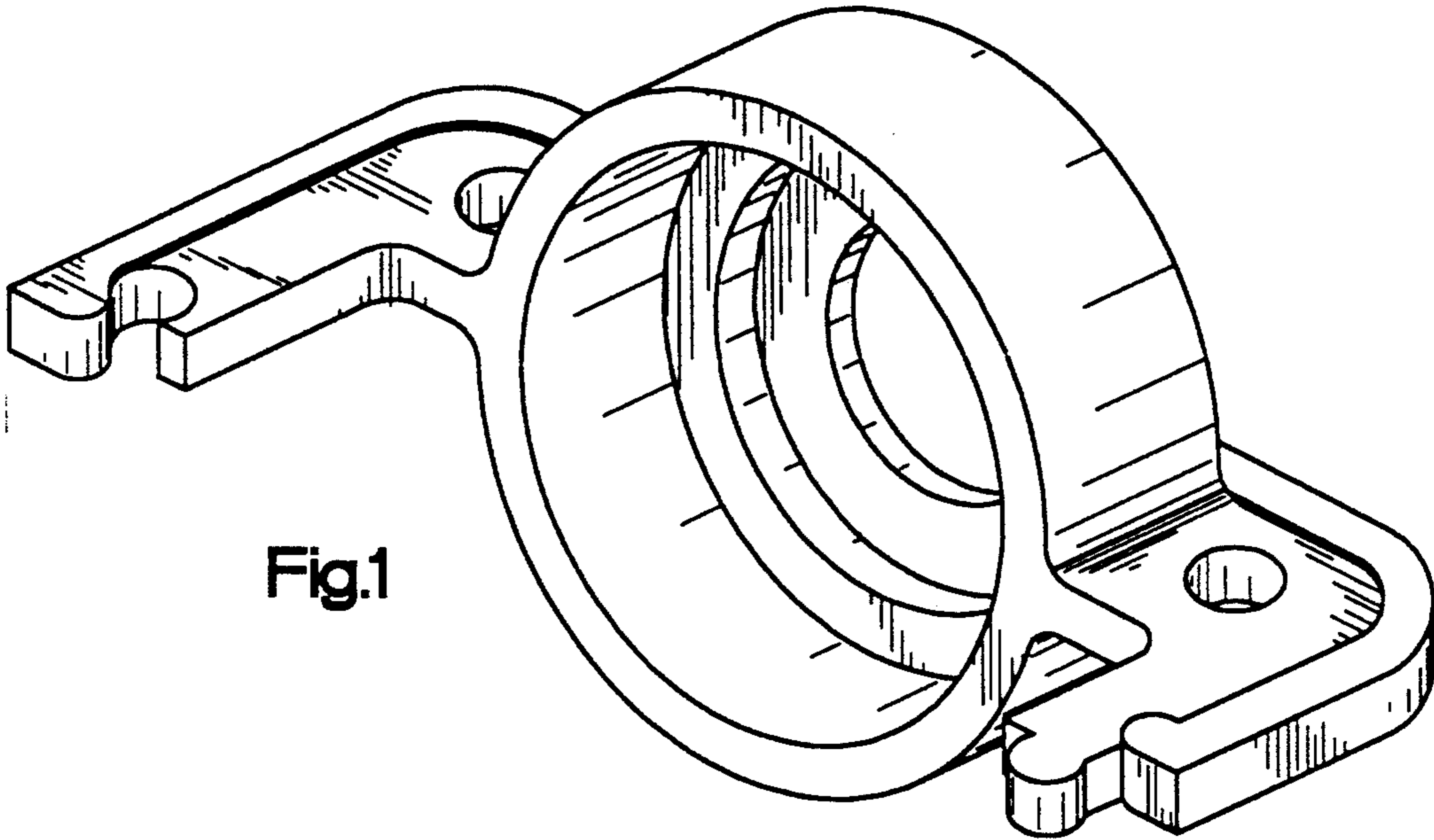


Fig.1

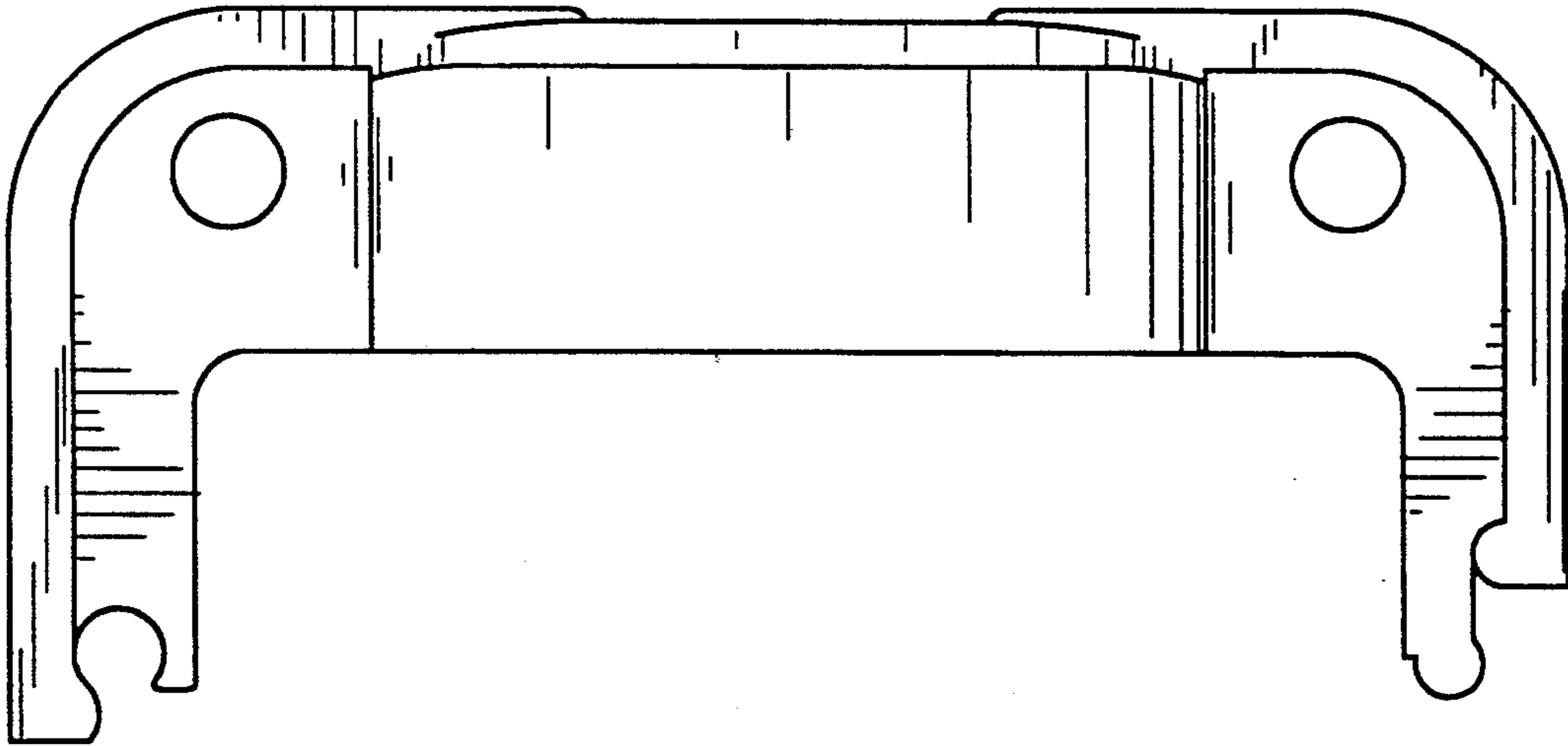


Fig.2

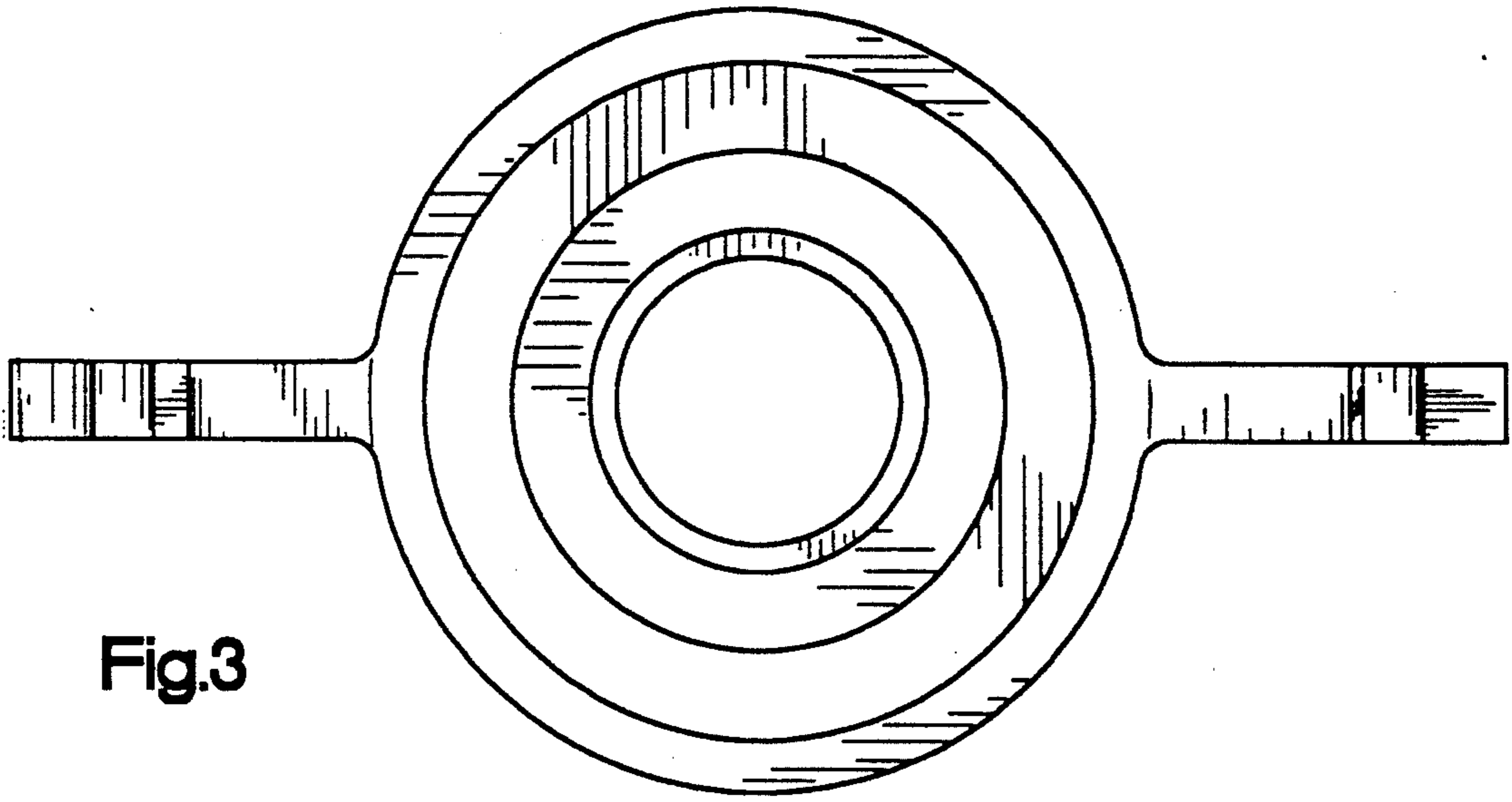


Fig.3

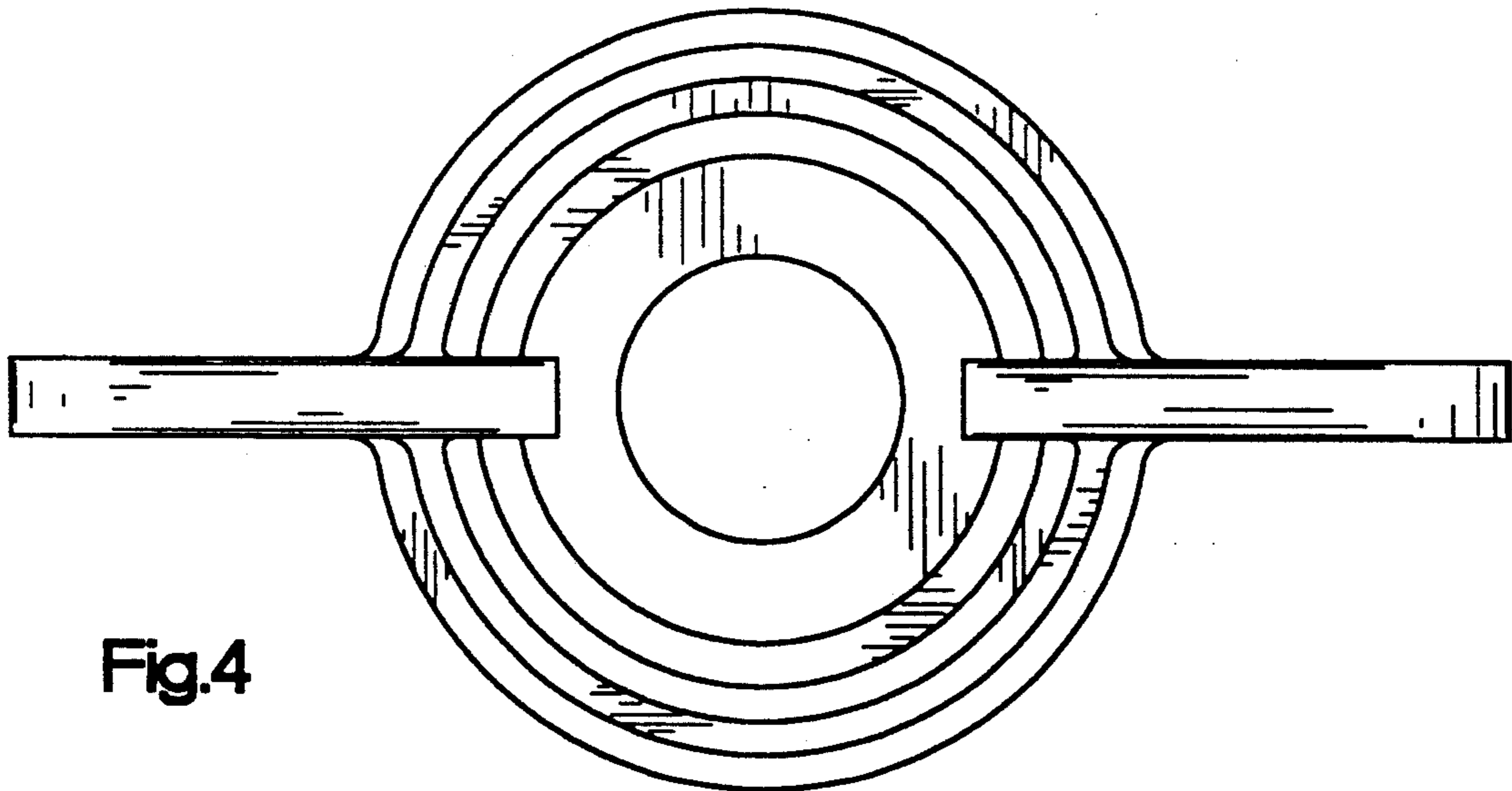


Fig.4



Fig.5

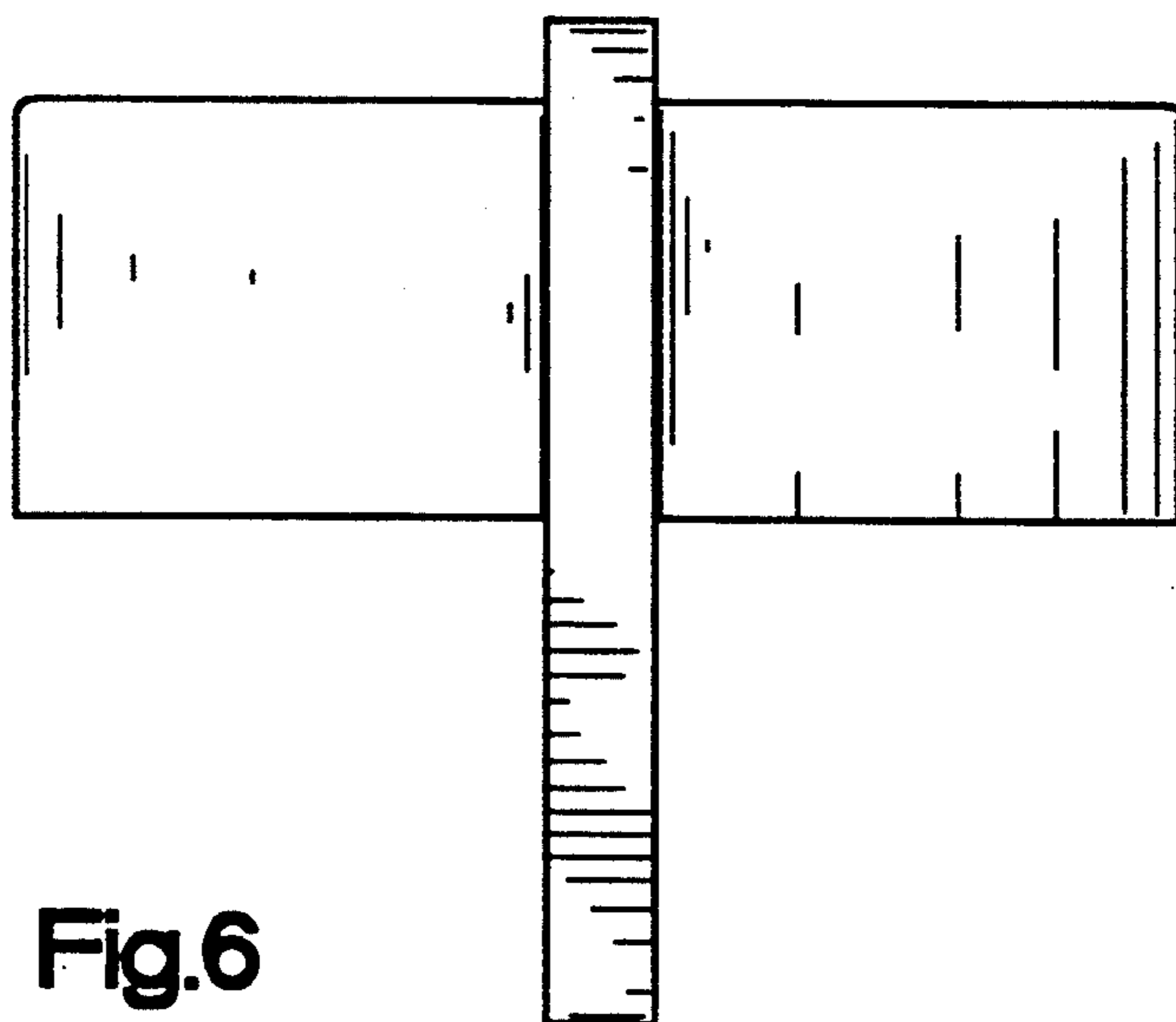


Fig.6