



US00D337335S

United States Patent [19] Niebauer

[11] Patent Number: **Des. 337,335**
[45] Date of Patent: **** Jul. 13, 1993**

[54] CUTTING TOOL INSERT

[75] Inventor: **Kenneth L. Niebauer, Raleigh, N.C.**

[73] Assignee: **Kennametal Inc., Latrobe, Pa.**

[**] Term: **14 Years**

[21] Appl. No.: **752,223**

[22] Filed: **Aug. 22, 1991**

[52] U.S. Cl. **D15/139**

[58] Field of Search **D15/138, 139; 407/114,
407/115, 116, 117, 118, 119**

[56] References Cited

U.S. PATENT DOCUMENTS

| | | | | |
|------------|---------|-----------------|-------|-----------|
| D. 305,663 | 1/1990 | Niebauer | | D15/139 |
| 3,733,664 | 5/1973 | McKelvey | | 29/95 |
| 3,815,191 | 6/1974 | Holma | | 407/116 X |
| 3,973,307 | 8/1976 | McCreery et al. | | 29/95 R |
| 3,975,809 | 8/1976 | Sorice et al. | | 407/114 |
| 4,056,871 | 11/1977 | Bator | | 407/114 |
| 4,259,033 | 3/1981 | McCreery et al. | | 407/114 |
| 4,465,412 | 8/1984 | Zweekly | | 407/114 |
| 4,685,844 | 8/1987 | McCreery et al. | | 407/114 |

FOREIGN PATENT DOCUMENTS

| | | | | |
|---------|---------|----------------------|-------|---------|
| 2258448 | 8/1973 | Fed. Rep. of Germany | | 407/114 |
| 1241654 | 12/1960 | France | | 407/114 |
| 831244 | 3/1960 | United Kingdom | | 407/114 |

OTHER PUBLICATIONS

Kennametal "Tools, tooling systems, and services for the global metalworking industry" catalog, A90-41(15-0)E1, p. 42 Insert VNGS, p. 19 Insert CNMG.

Primary Examiner—Alan P. Douglas

Assistant Examiner—Antoine D. Davis

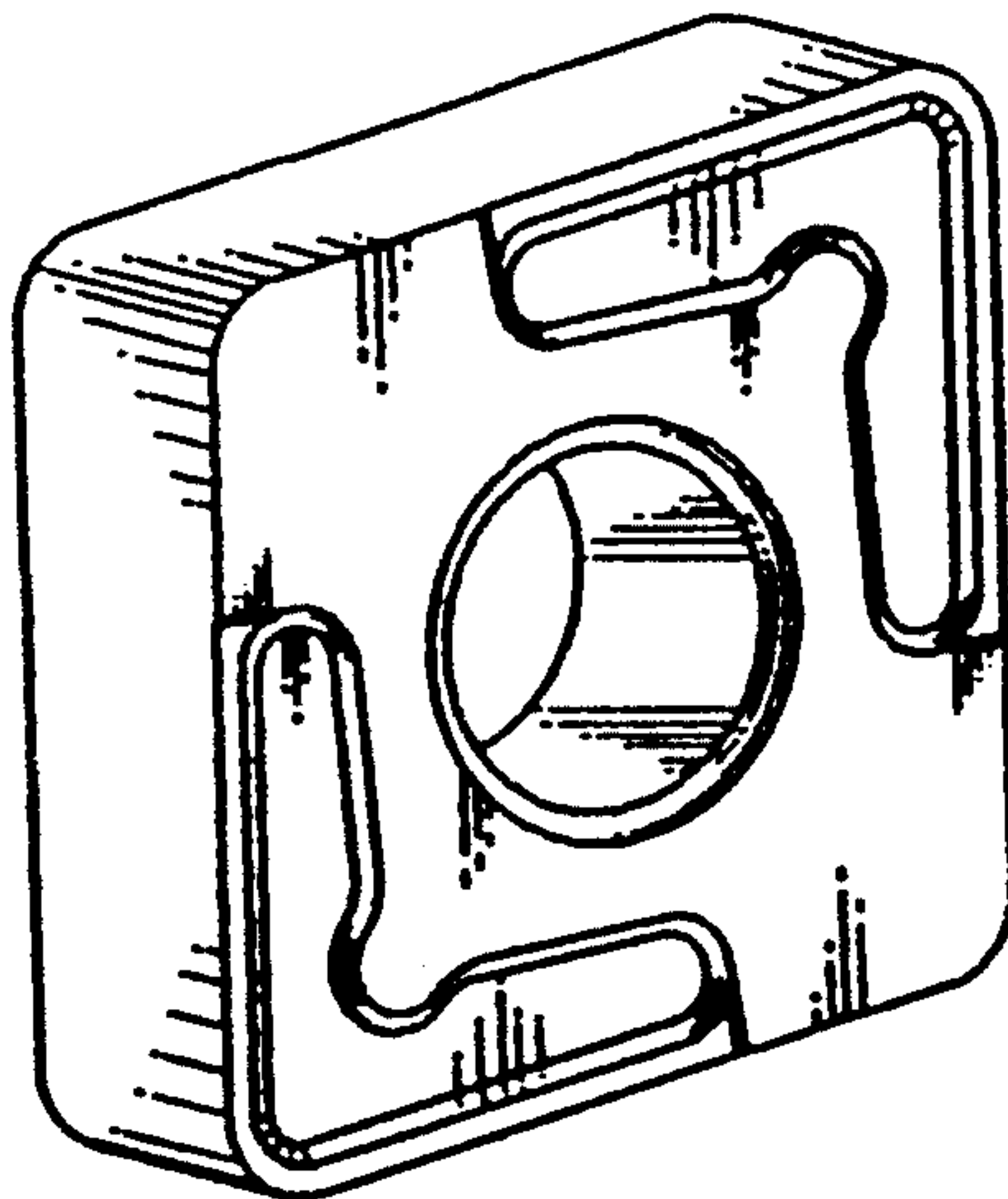
Attorney, Agent, or Firm—James G. Porcelli

[57] CLAIM

The ornamental design for a cutting tool insert, as shown and described.

DESCRIPTION

FIG. 1 is a top and left side perspective view of a cutting tool insert showing my new design;
FIG. 2 is a top plan view;
FIG. 3 is an elevational view, taken from the right side;
FIG. 4 is a bottom plan view;
FIG. 5 is a cross sectional view taken along line V—V in FIG. 2 thereof; and,
FIG. 6 is a cross sectional view taken along line VI—VI in FIG. 2 thereof.



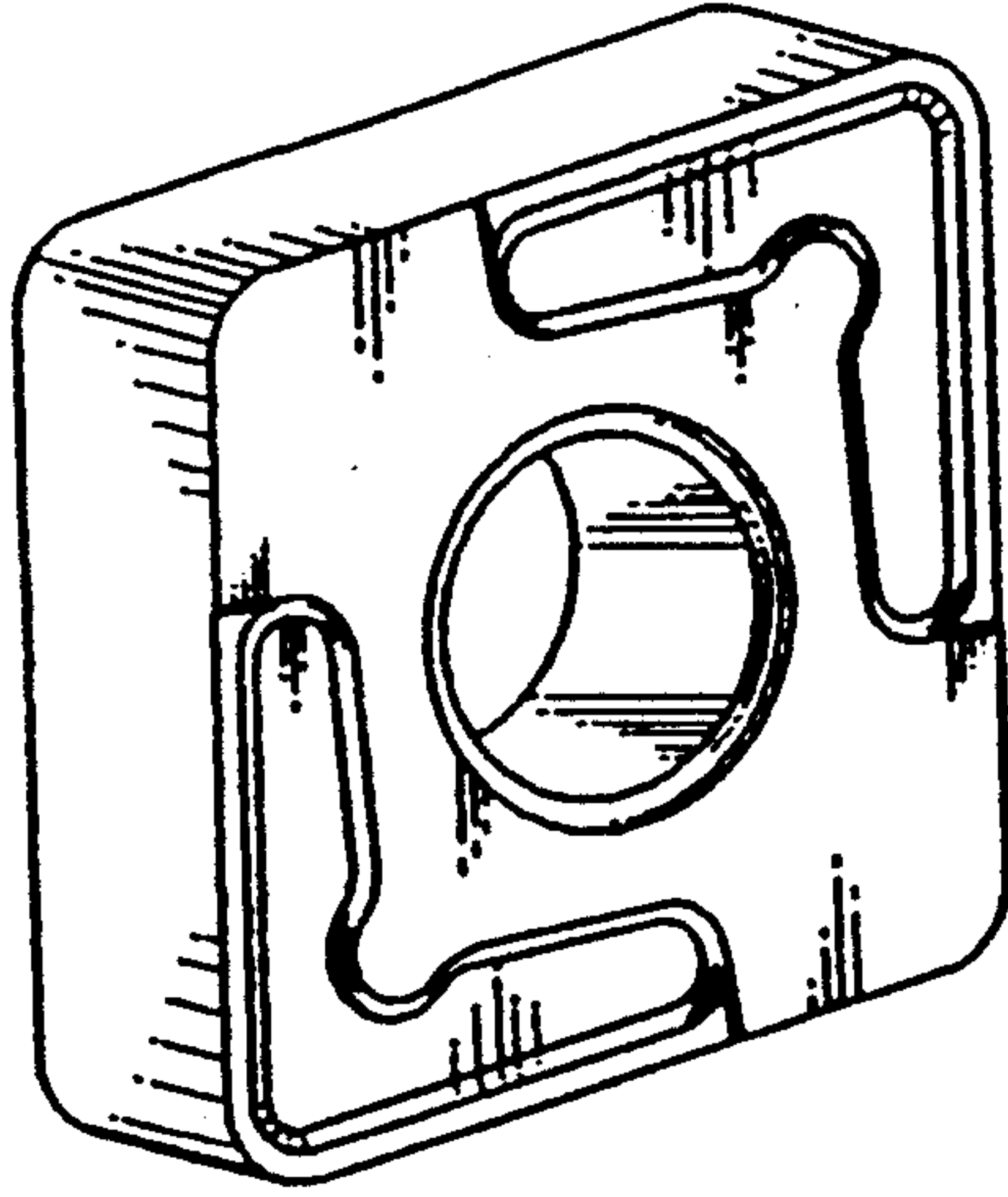


FIG. 1

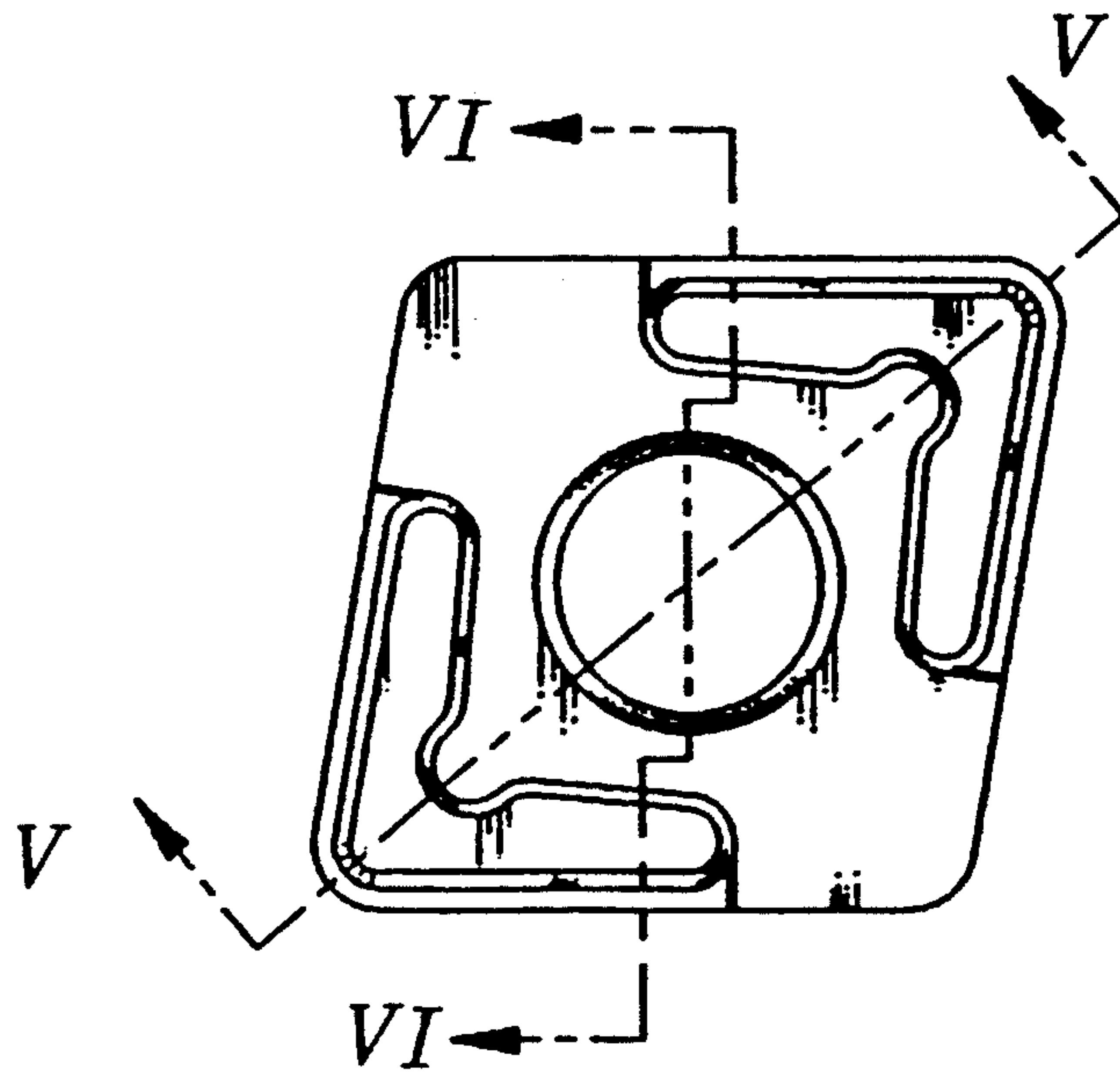


FIG. 2



FIG. 3

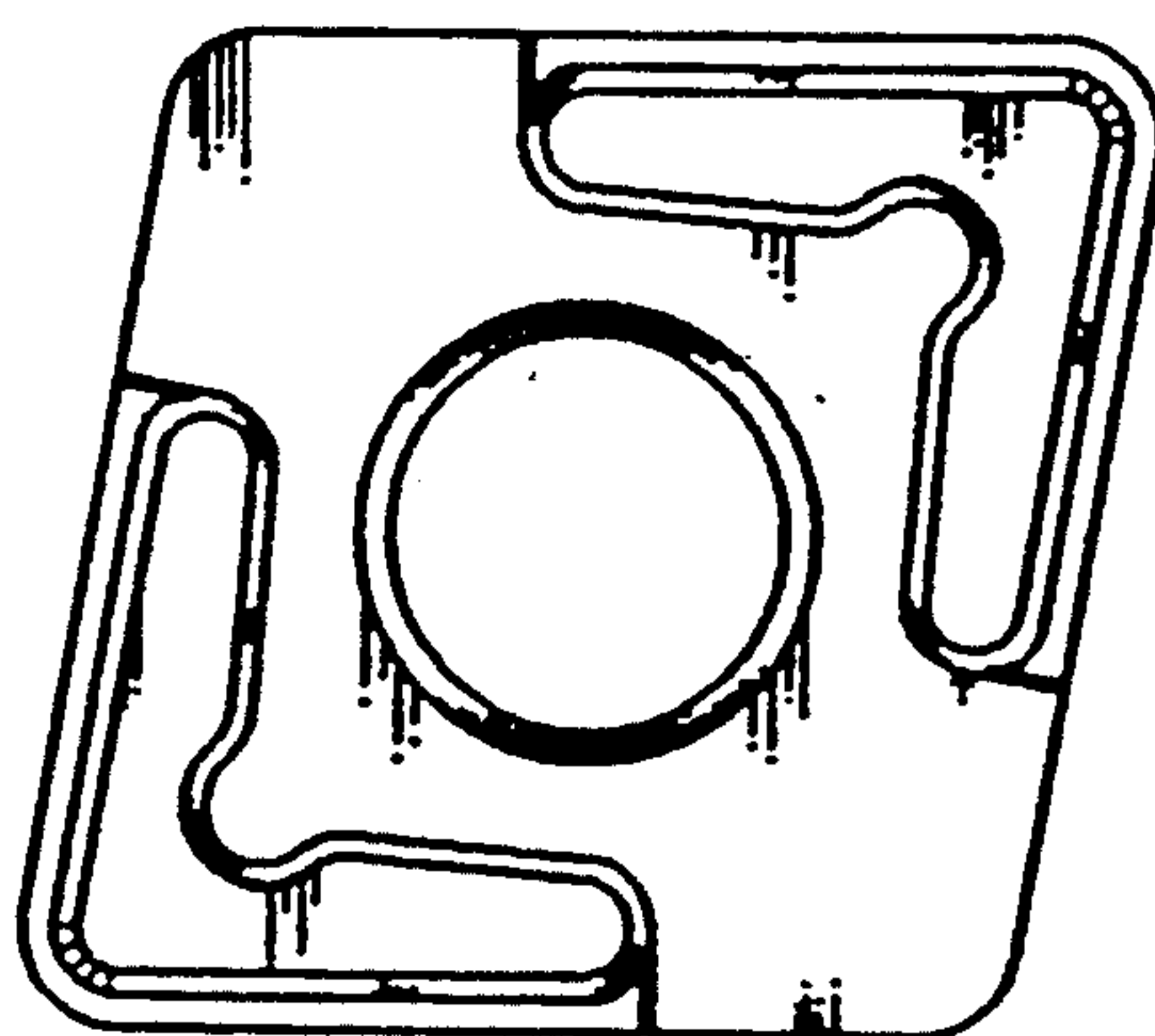


FIG. 4

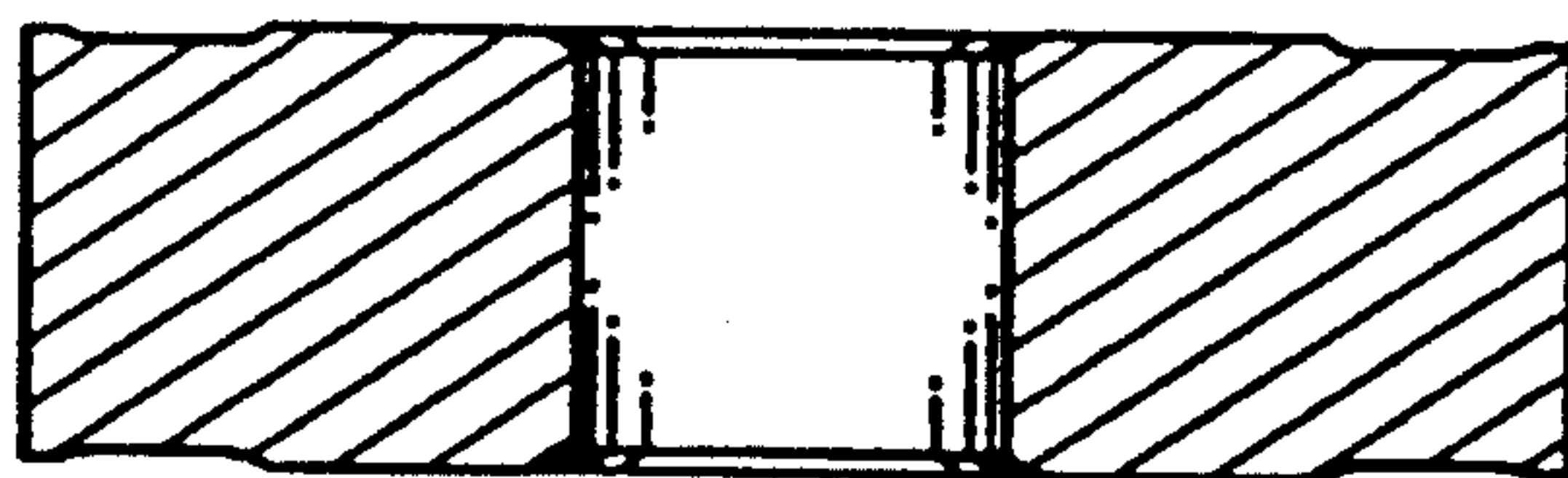


FIG. 5

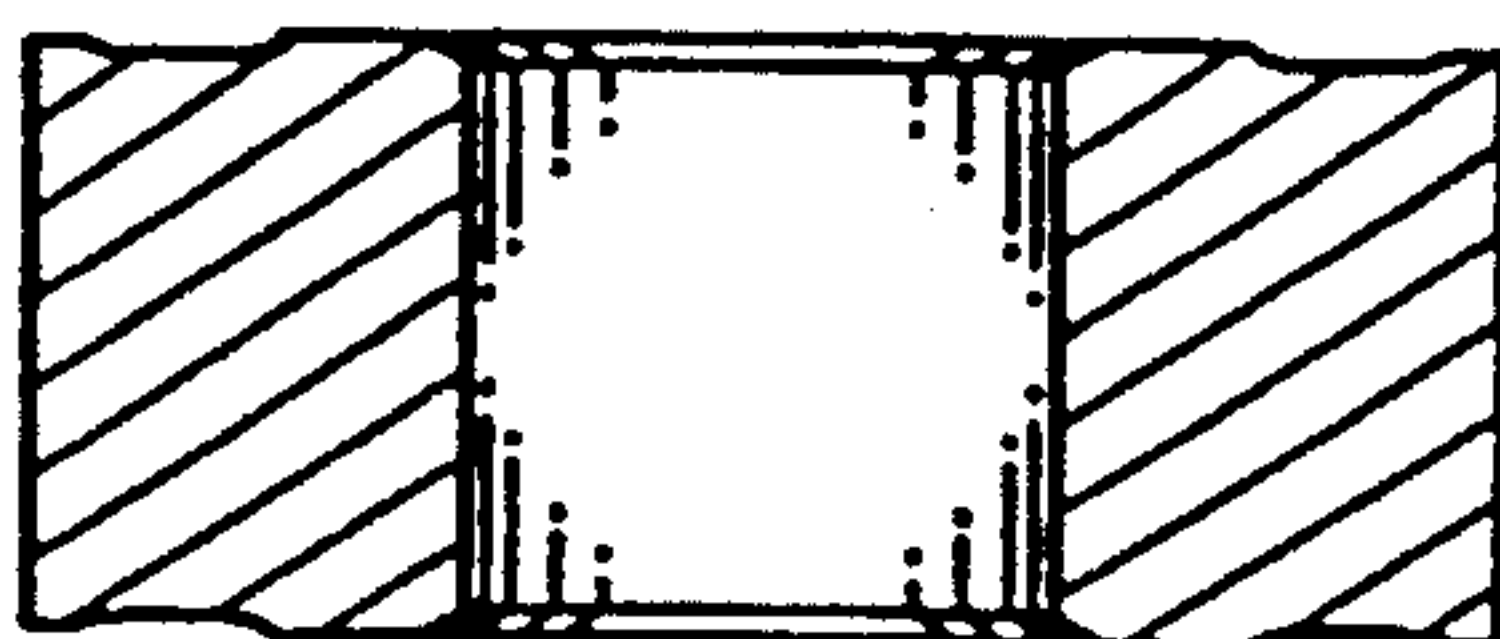


FIG. 6