



US00D337332S

United States Patent [19]

[11] Patent Number: **Des. 337,332**

Saluja et al.

[45] Date of Patent: **** Jul. 13, 1993**

[54] TELEPHONE HANDSET HOUSING PANEL

[75] Inventors: **Reena Saluja**, Arlington Heights;
John C. Laugal, South Barrington,
both of Ill.; **Carl V. Novak**, Pell Lake,
Wis.

[73] Assignee: **Motorola, Inc.**, Schaumburg, Ill.

[**] Term: **14 Years**

[21] Appl. No.: **782,236**

[22] Filed: **Oct. 23, 1991**

[52] U.S. Cl. **D14/247; D14/148**

[58] Field of Search **D14/138, 140, 142, 147,
D14/148, 149, 150, 151, 240, 244, 246, 247, 248,
249; 379/58, 59, 60, 433, 440, 434, 436, 428, 443**

[56] **References Cited**

U.S. PATENT DOCUMENTS

D. 246,043	10/1977	Taylor	D14/53
D. 248,758	8/1978	Krolopp	D14/53
D. 249,103	10/1977	Taylor	D14/53
D. 260,518	9/1981	Larson	D14/53
D. 270,835	10/1983	Taylor	D14/64
D. 271,491	11/1983	Taylor	D14/76
D. 286,778	11/1986	Beaumont	D14/64

D. 291,199	4/1987	Watanabe	D14/138 X
D. 292,578	11/1987	Taylor	D14/62
D. 292,920	11/1987	Taylor	D14/62
D. 295,627	5/1988	Nagele	D14/138
D. 295,973	5/1988	Nagele	D14/66
D. 295,975	5/1988	Taylor et al.	D14/64
D. 299,136	12/1988	Taylor	D14/63
D. 302,015	7/1989	Taylor	D14/248 X
D. 315,565	3/1991	Taylor	D14/138 X
D. 315,907	4/1991	Wong et al.	D14/138 X
D. 316,859	5/1991	Wong et al.	D14/138 X
D. 322,783	12/1991	Saluja et al.	D14/138

Primary Examiner—Alan P. Douglas

Assistant Examiner—Jeffrey Asch

Attorney, Agent, or Firm—Rolland R. Hackbart

[57] CLAIM

The ornamental design for a telephone handset housing panel, as shown and described.

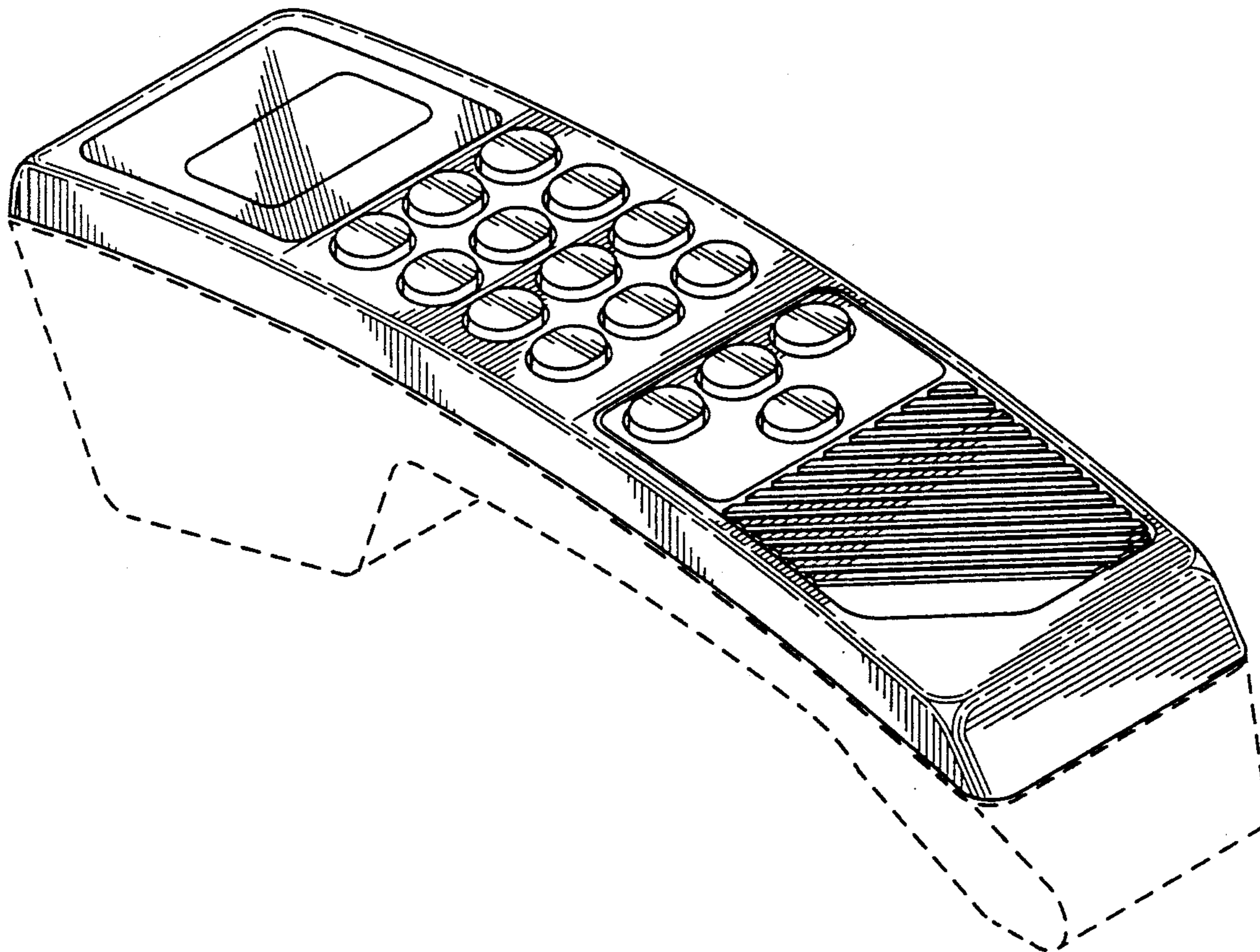
DESCRIPTION

FIG. 1 is a top, front and left side perspective view thereof;

FIG. 2 is a right side elevation view; and,

FIG. 3 is a rear elevation view thereof.

The broken line showing in FIGS. 1-3 is for illustrative purposes only and forms no part of the claimed design.



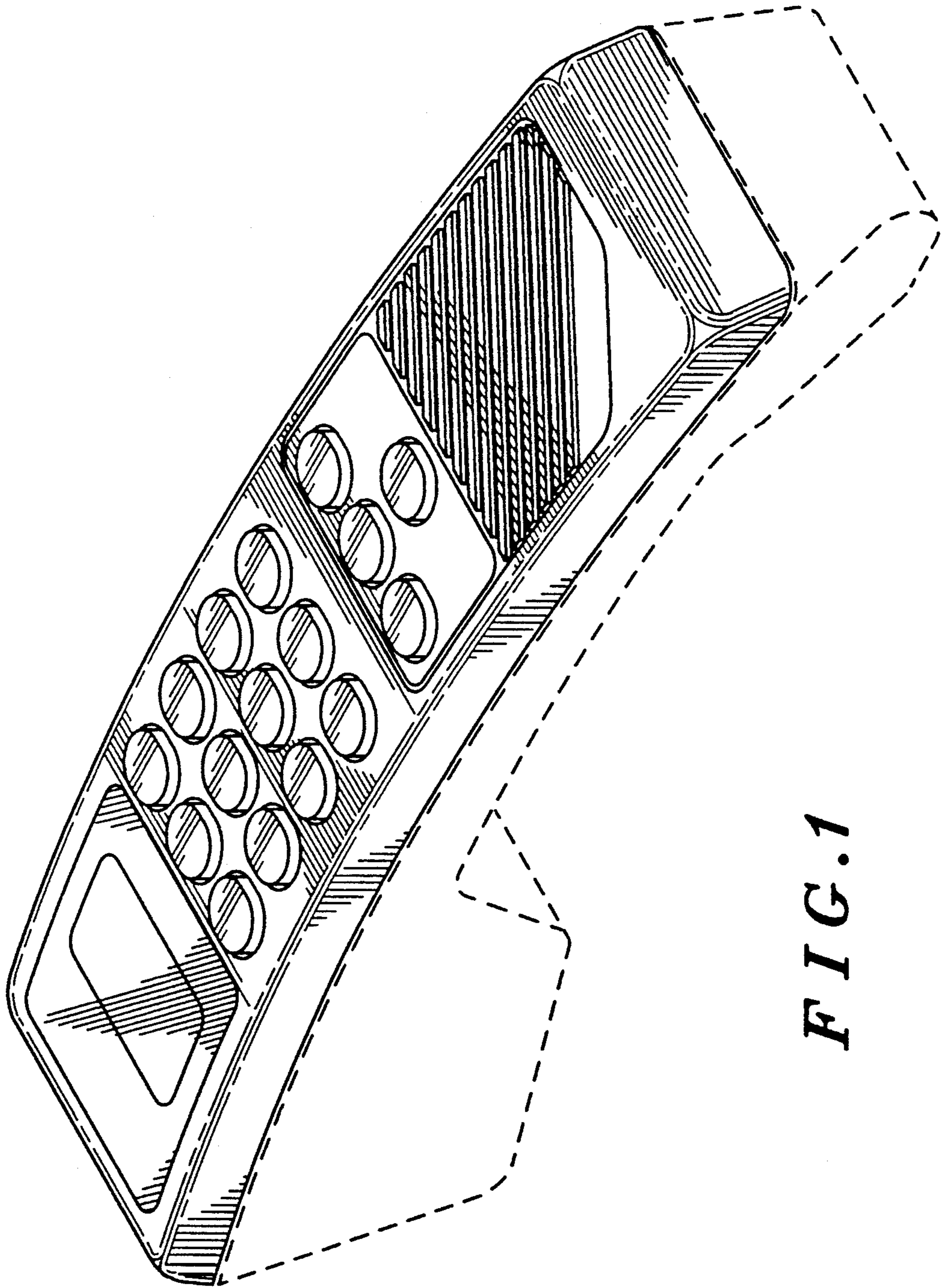


FIG. 1

FIG. 2

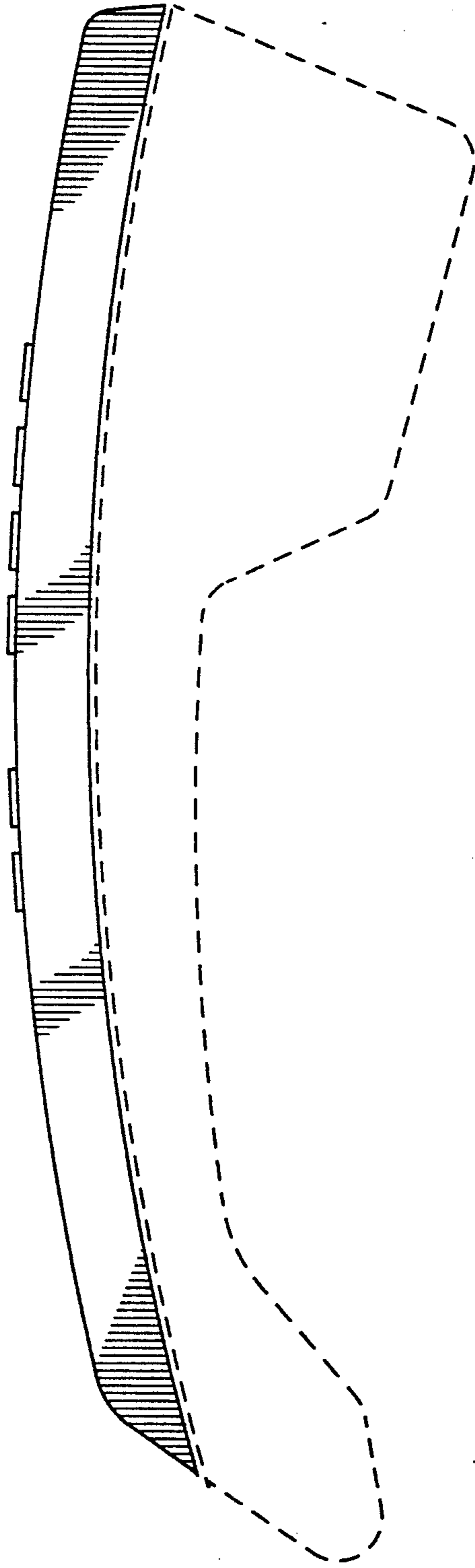


FIG. 3

