



US00D337324S

United States Patent [19]
Wolf

[11] **Patent Number: Des. 337,324**

[45] **Date of Patent: ** Jul. 13, 1993**

[54] **MAGNETIC TAPE CASSETTE**

[75] **Inventor: Hans J. Wolf,**
Diefenbach-Sternenfels, Fed. Rep. of
Germany

[73] **Assignee: BASF Magnetics GmbH, Mannheim,**
Fed. Rep. of Germany

[**] **Term: 14 Years**

[21] **Appl. No.: 727,789**

[22] **Filed: Jul. 10, 1991**

[52] **U.S. Cl. D14/121**

[58] **Field of Search D14/114, 120-122,**
D14/299; 242/55.1 A, 197-200

[56] **References Cited**

U.S. PATENT DOCUMENTS

D. 316,406 4/1991 Yonehara D14/121
D. 329,855 9/1992 Horikiri et al. D14/121

D. 330,895 11/1992 Isozaki D14/121
4,452,408 6/1984 Sasaki 242/199
4,526,330 7/1985 Shimizu 242/199

Primary Examiner—Theodore M. Shooman
Attorney, Agent, or Firm—Keil & Weinkauff

[57] **CLAIM**

The ornamental design for a magnetic tape cassette, as shown and described.

DESCRIPTION

FIG. 1 is a bottom plan view of the magnetic tape cassette;
FIG. 2 is a rear elevational view of the tape cassette;
FIG. 3 is a top plan view of the magnetic tape cassette or similar article according to FIG. 1;
FIGS. 4 and 5 are left and right side view respectively of the cassette in FIG. 3; and,
FIG. 6 is a front elevational view of the cassette according to FIG. 3.

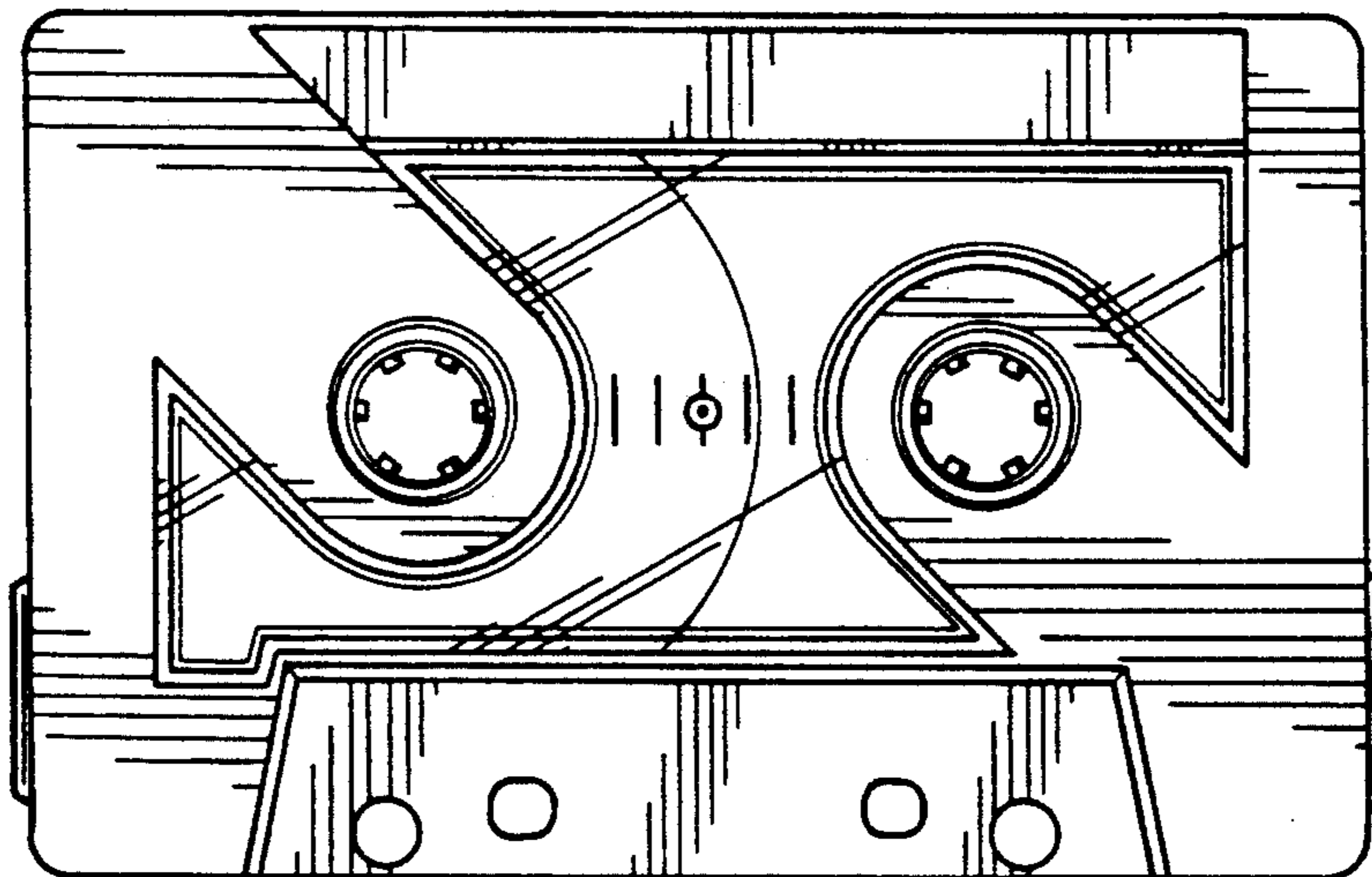


FIG. 1

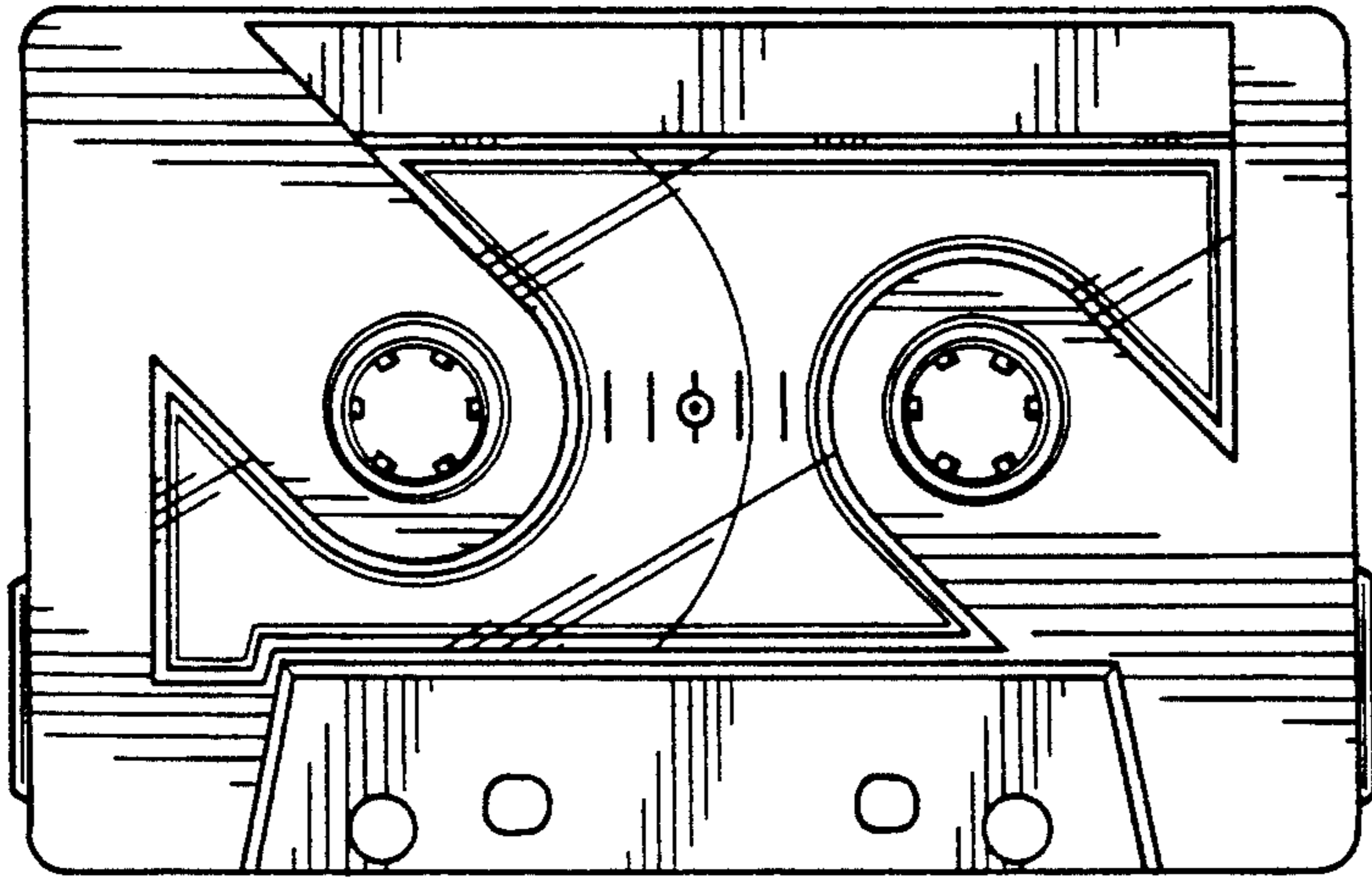


FIG. 2

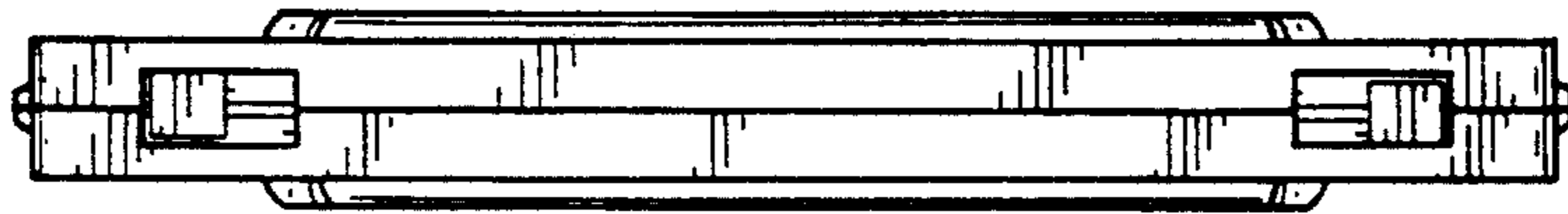


FIG. 4

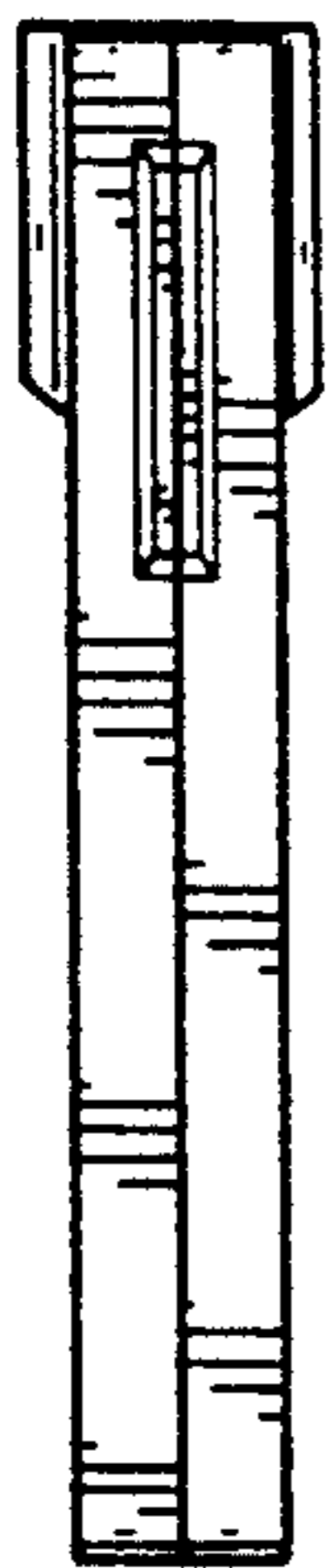


FIG. 3

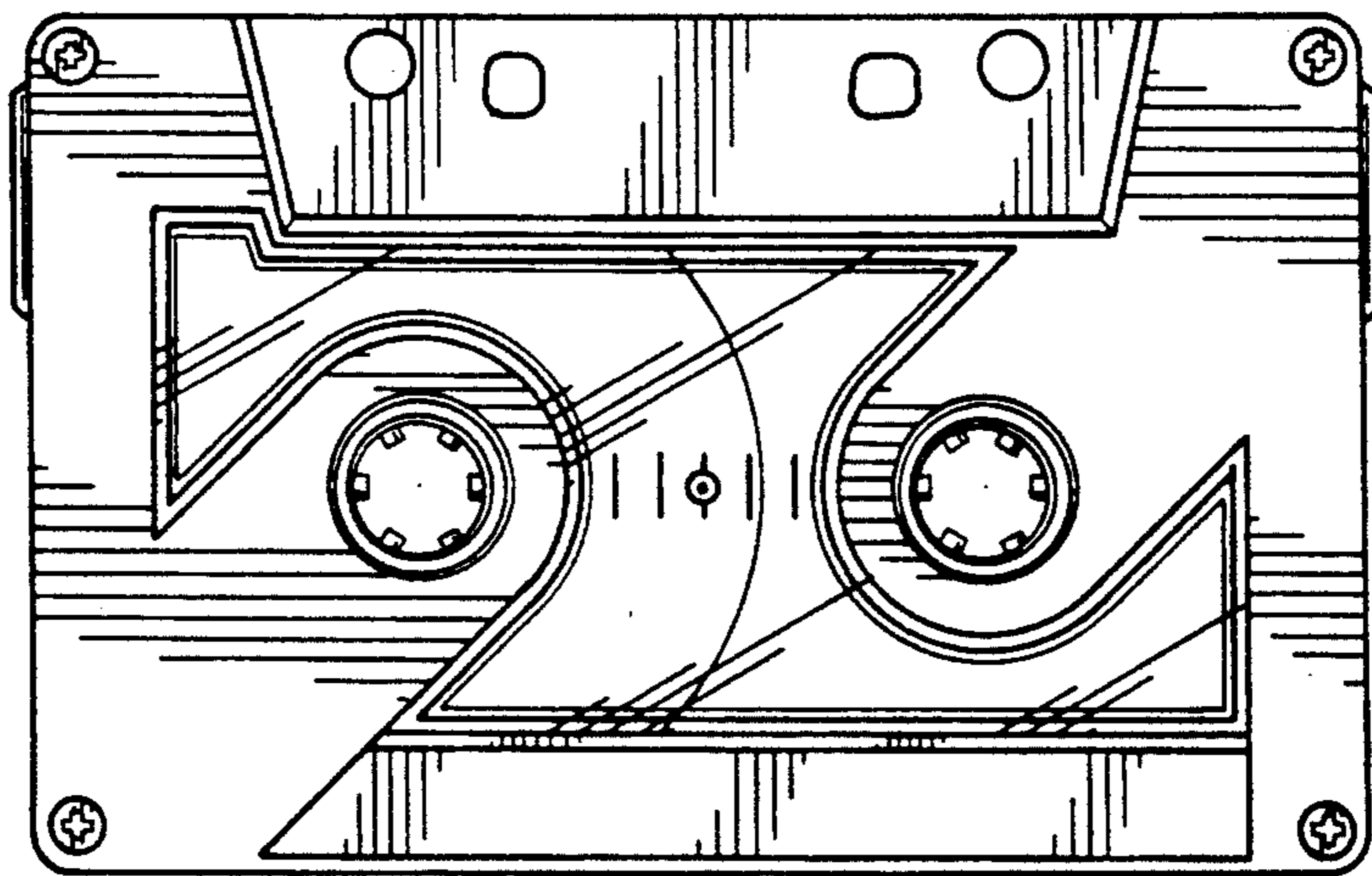


FIG. 5

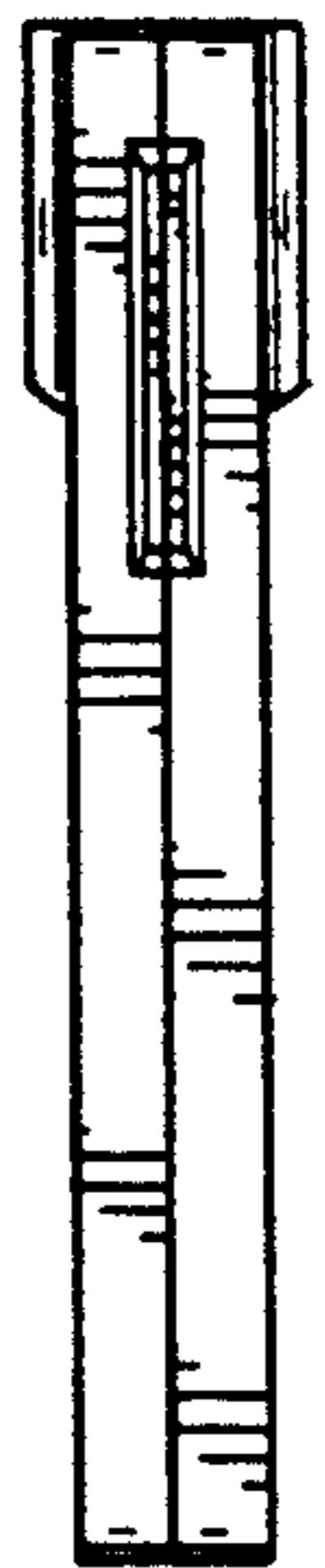


FIG. 6

