



US00D337315S

# United States Patent [19]

Riza

[11] Patent Number: **Des. 337,315**

[45] Date of Patent: **\*\* Jul. 13, 1993**

[54] **COMPUTER HOUSING**

4,259,790 4/1981 Borisof ..... D19/59 X

[75] Inventor: **Aydin Riza**, Munich, Fed. Rep. of Germany

[73] Assignee: **Meadata GmbH**, Munich, Fed. Rep. of Germany

[\*\*] Term: **14 Years**

[21] Appl. No.: **483,221**

[22] Filed: **Feb. 22, 1990**

[30] **Foreign Application Priority Data**

Aug. 22, 1989 [DE] Fed. Rep. of Germany .... 8905932.8

[52] U.S. Cl. .... **D14/100**

[58] Field of Search ..... D14/100, 102, 103, 104, D14/172; D13/162, 184, 199, 163; D19/59; 361/390-395, 380-385, 412; 360/92

[56] **References Cited**

**U.S. PATENT DOCUMENTS**

- D. 274,056 5/1984 Myer ..... D14/172
- D. 289,397 4/1987 Nuttall et al. .... D14/102
- D. 298,625 11/1988 Gore ..... D14/102

**OTHER PUBLICATIONS**

Product Engineering, Jul. 20, 1964, p. 1 Design element No. 5.

Technical Drawings by Gesecke et al. ©1958, p. 93 Geometric construction No. 15—right square.

*Primary Examiner*—Wallace R. Burke

*Assistant Examiner*—Freda S. Nunn

*Attorney, Agent, or Firm*—Cushman, Darby & Cushman

[57] **CLAIM**

The ornamental design for a computer housing, as shown.

**DESCRIPTION**

FIG. 1 is a top, front and right side view of a computer housing showing my new design;

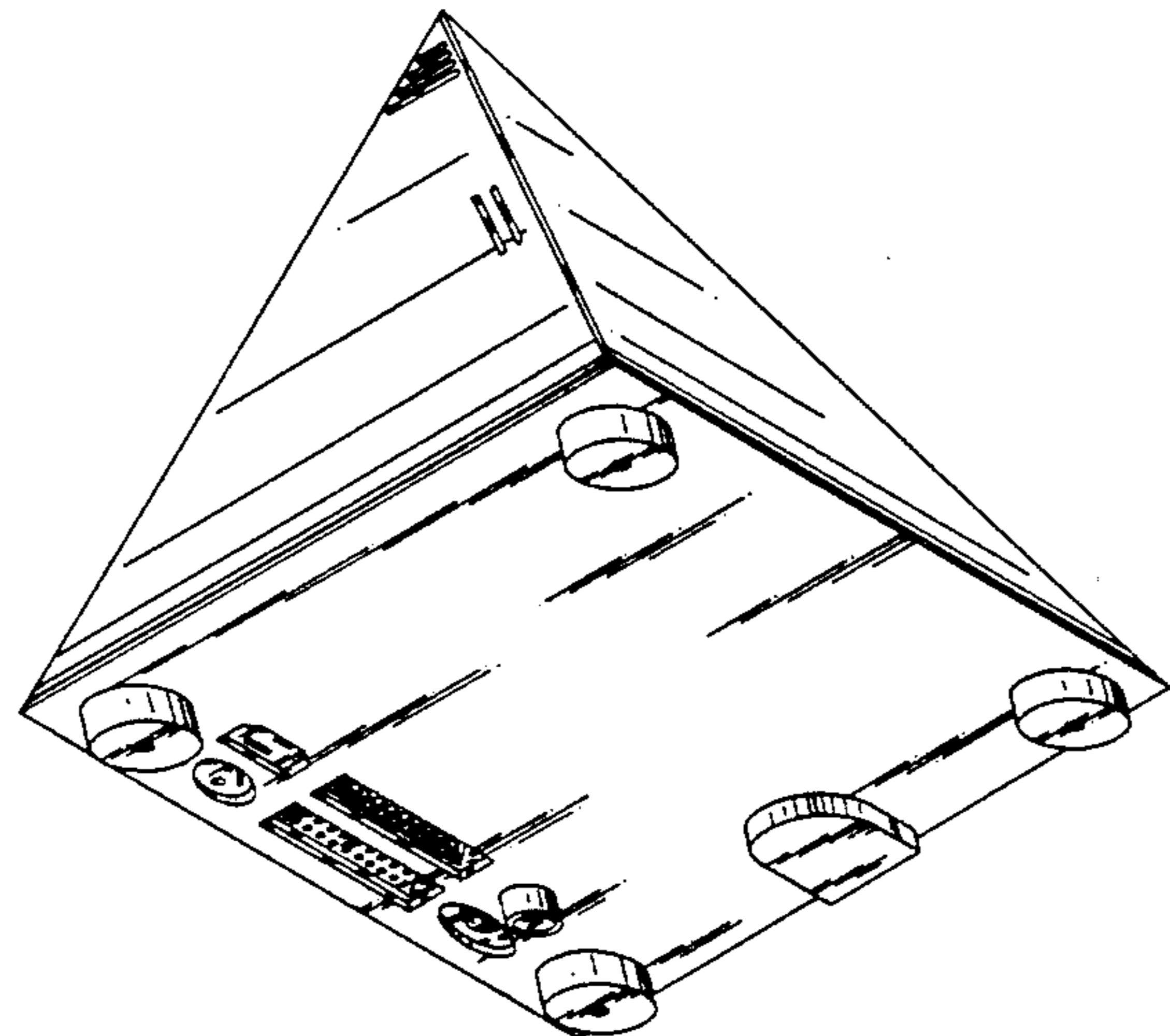
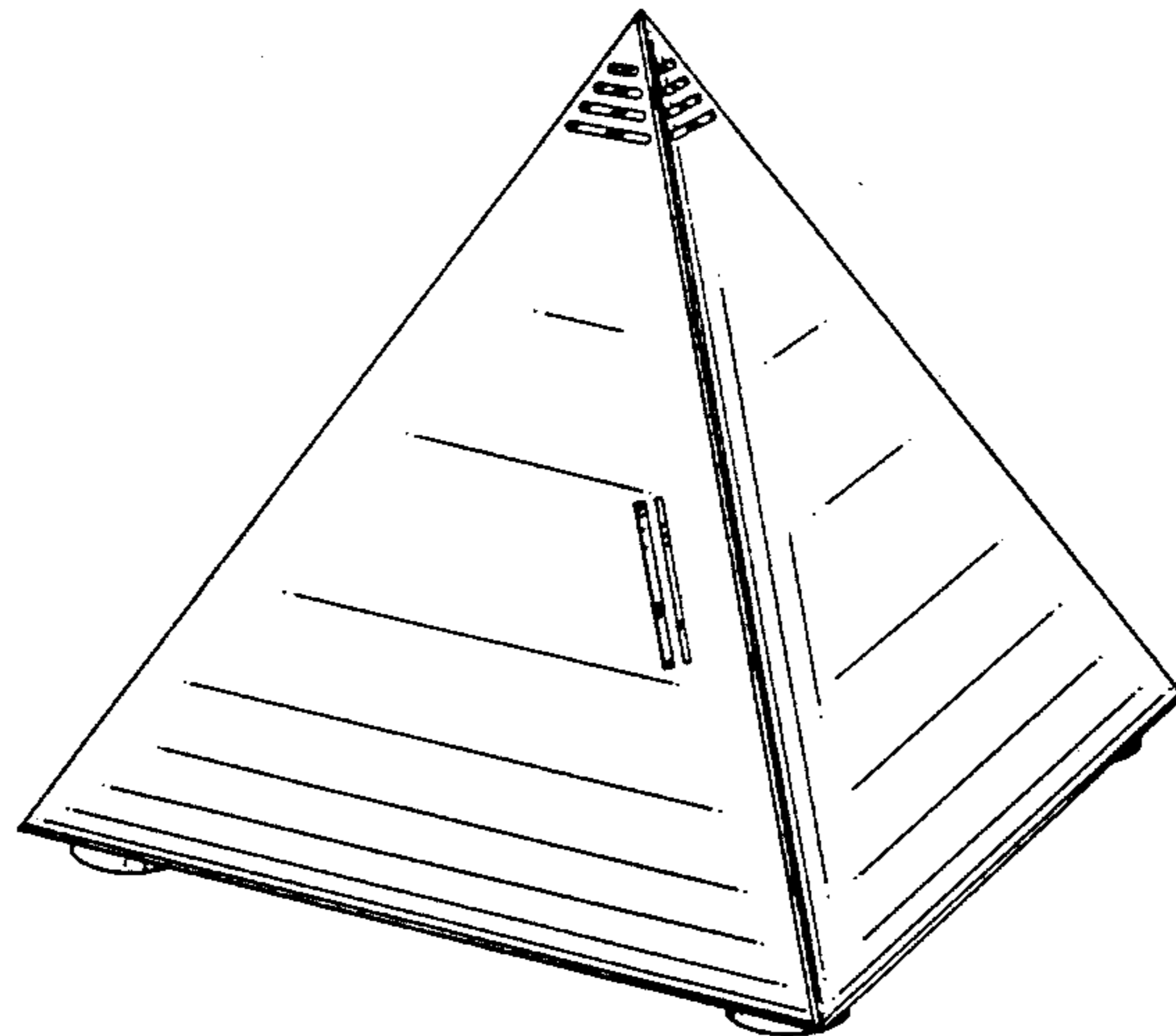
FIG. 2 is a front elevational view thereof;

FIG. 3 is a rear elevational view thereof;

FIG. 4 is a left side elevational view thereof;

FIG. 5 is a bottom plan view thereof; and,

FIG. 6 is a perspective view thereof from the bottom, front and right side.



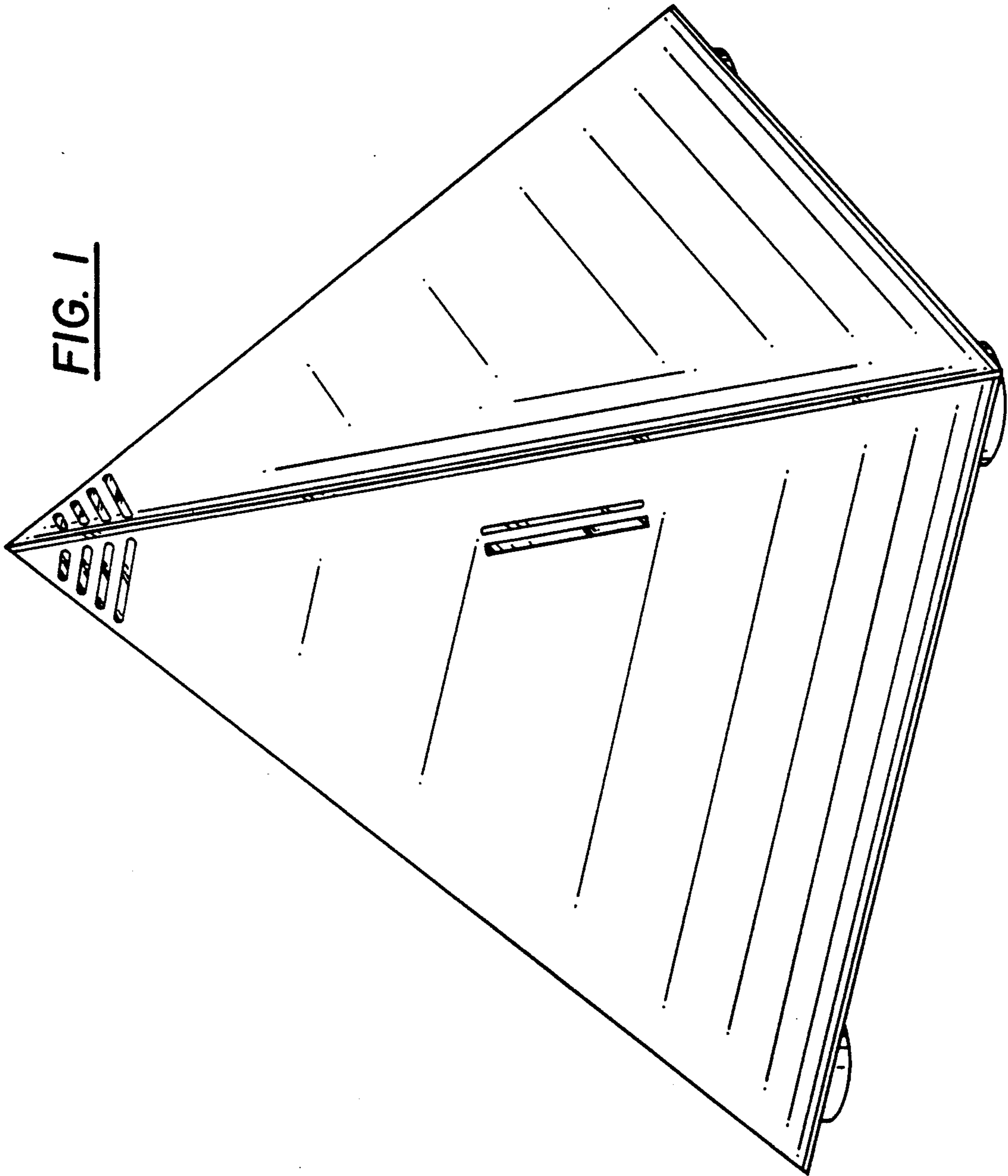


FIG. 1

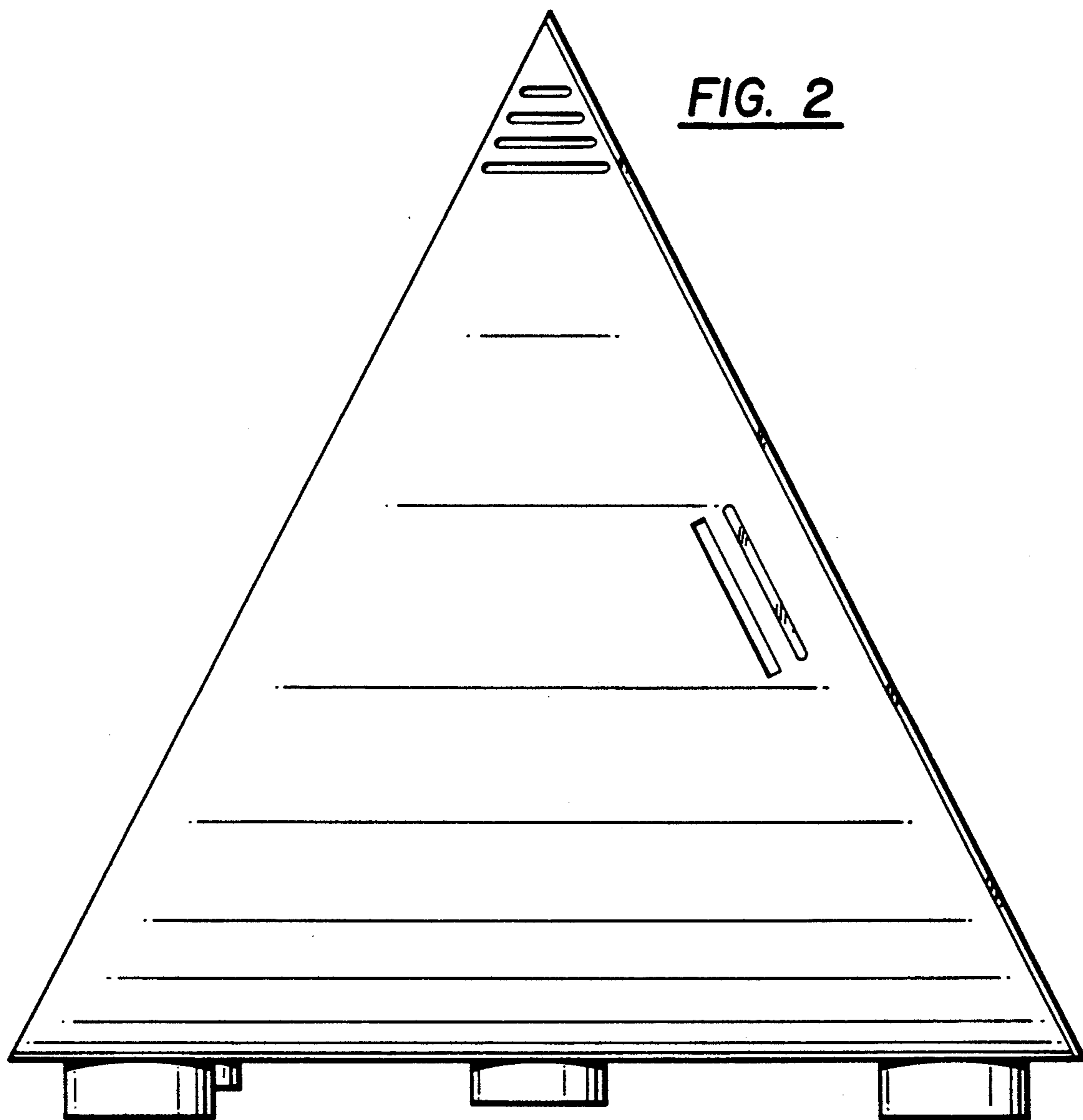


FIG. 2

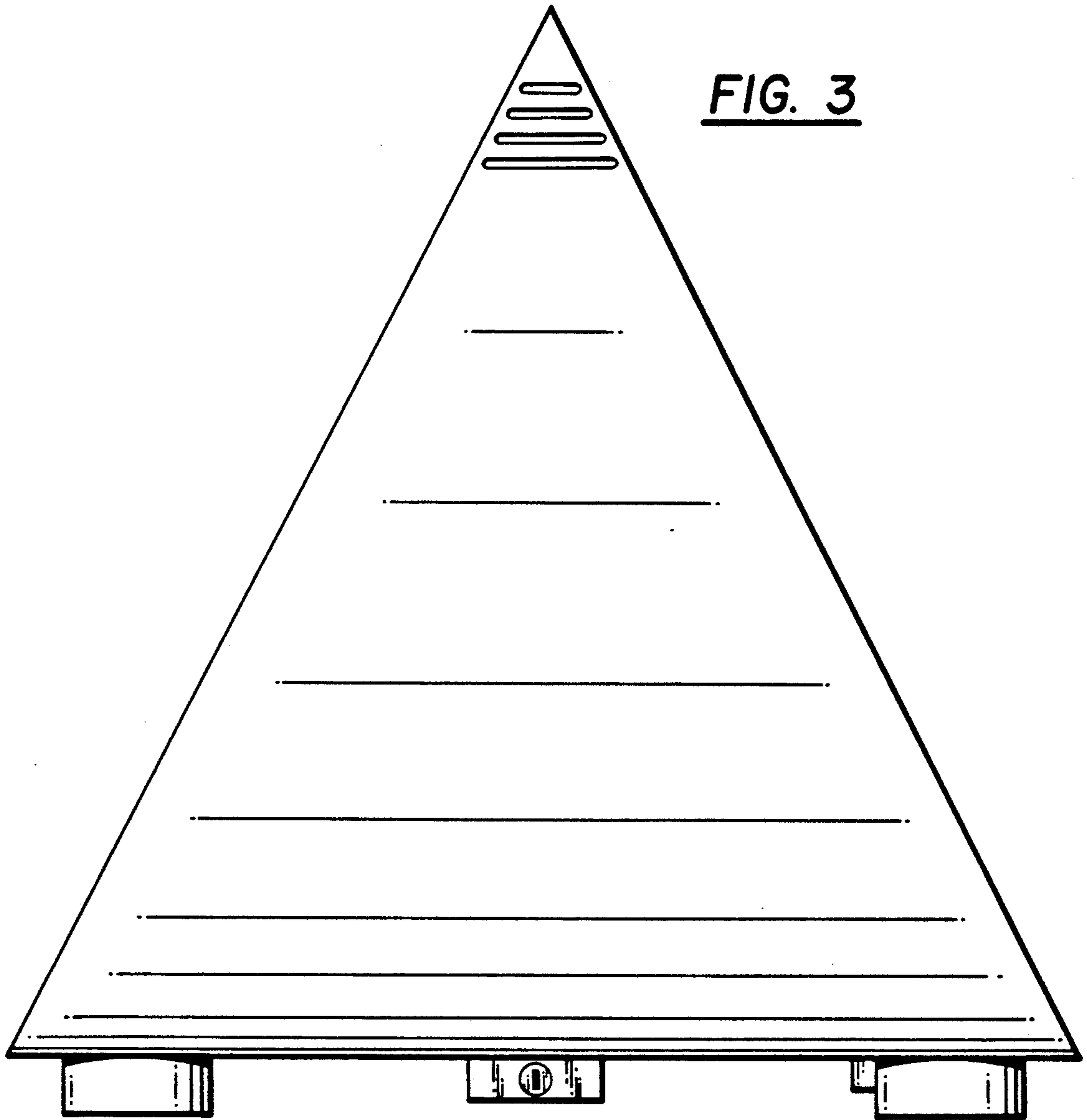


FIG. 3

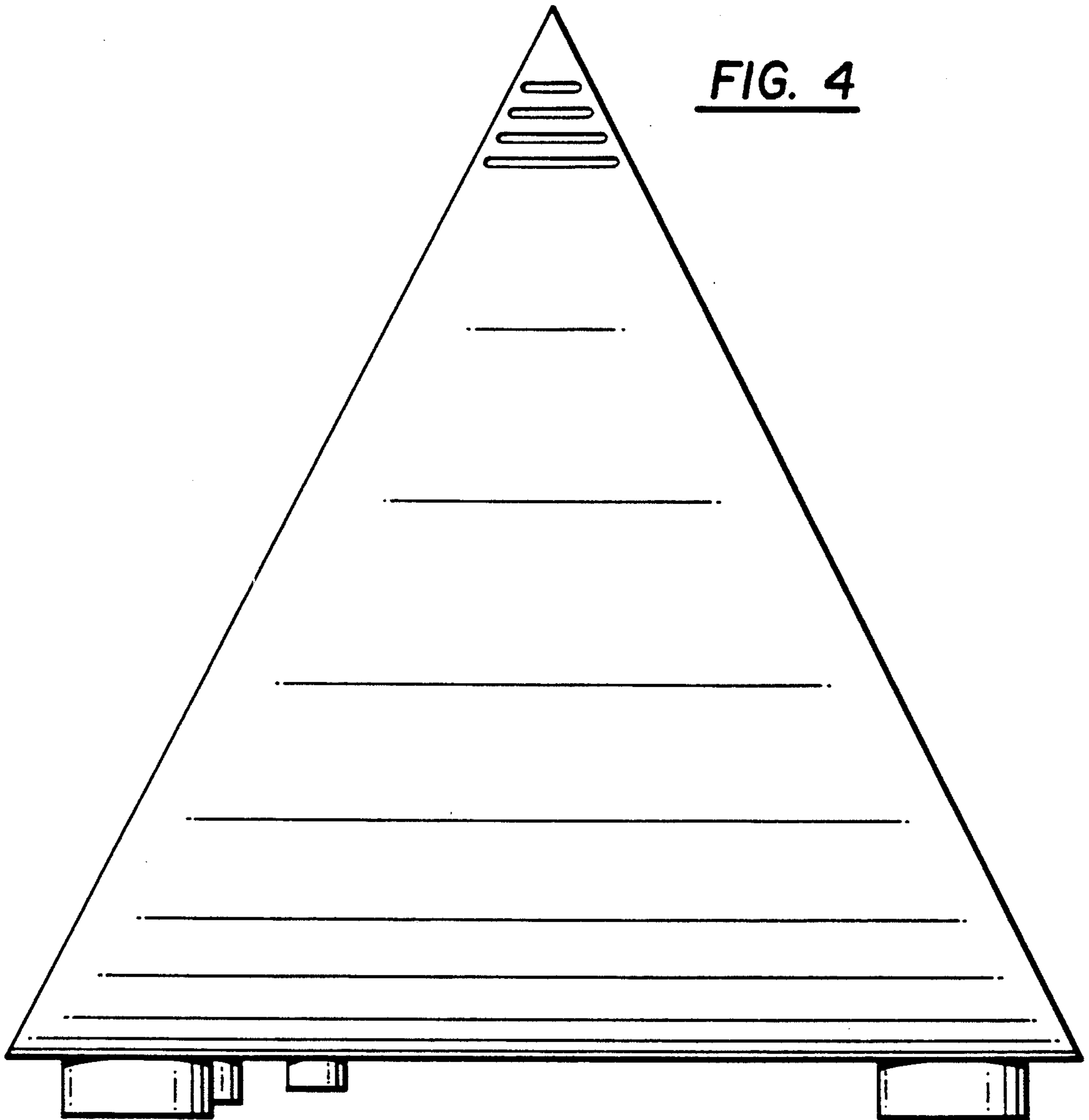
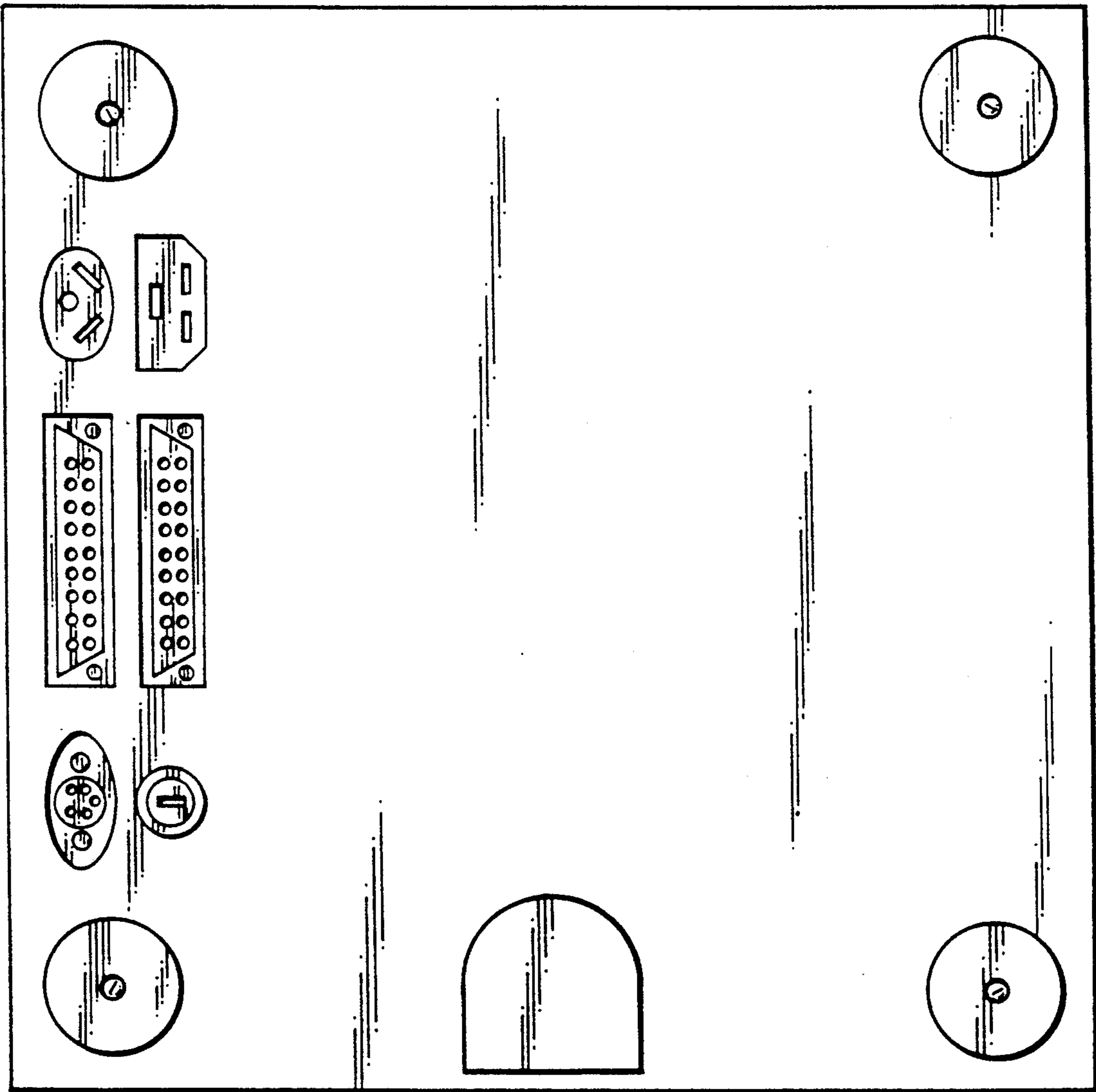


FIG. 4

FIG. 5



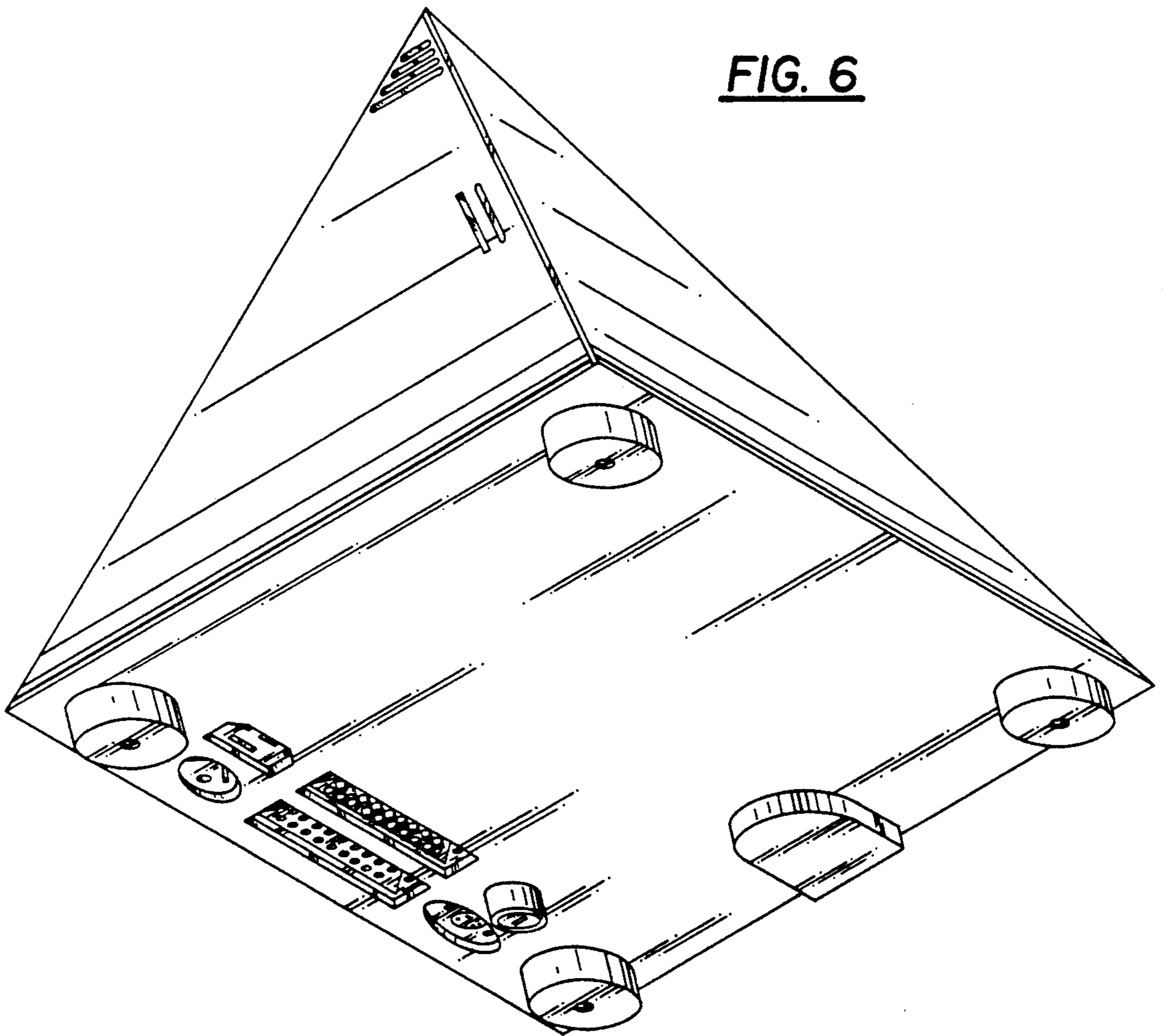


FIG. 6