



US00D337312S

United States Patent [19]

[11] Patent Number: Des. 337,312

Kapp

[45] Date of Patent: ** Jul. 13, 1993

[54] SWITCH PANEL

[75] Inventor: Gregory W. Kapp, St. Joseph, Mich.

[73] Assignee: Innocorp Manufacturing, Inc., Coloma, Mich.

[**] Term: 14 Years

[21] Appl. No.: 606,338

[22] Filed: Oct. 30, 1990

[52] U.S. Cl. D13/164; D13/169

[58] Field of Search D13/164, 169, 171; 200/5 R, 5 A, 310

[56] **References Cited**

U.S. PATENT DOCUMENTS

D. 122,844	10/1940	Platz	D13/164
D. 300,316	3/1989	Ortega	D13/169
D. 302,546	8/1989	Ellis, Jr.	D13/164
4,032,729	6/1977	Koistinen	200/5 A
4,096,364	6/1978	Lynn et al.	200/5 A
4,486,637	12/1984	Chu	200/5 A
5,003,133	3/1991	Kobayashi et al.	200/5 A

Primary Examiner—B. J. Bullock

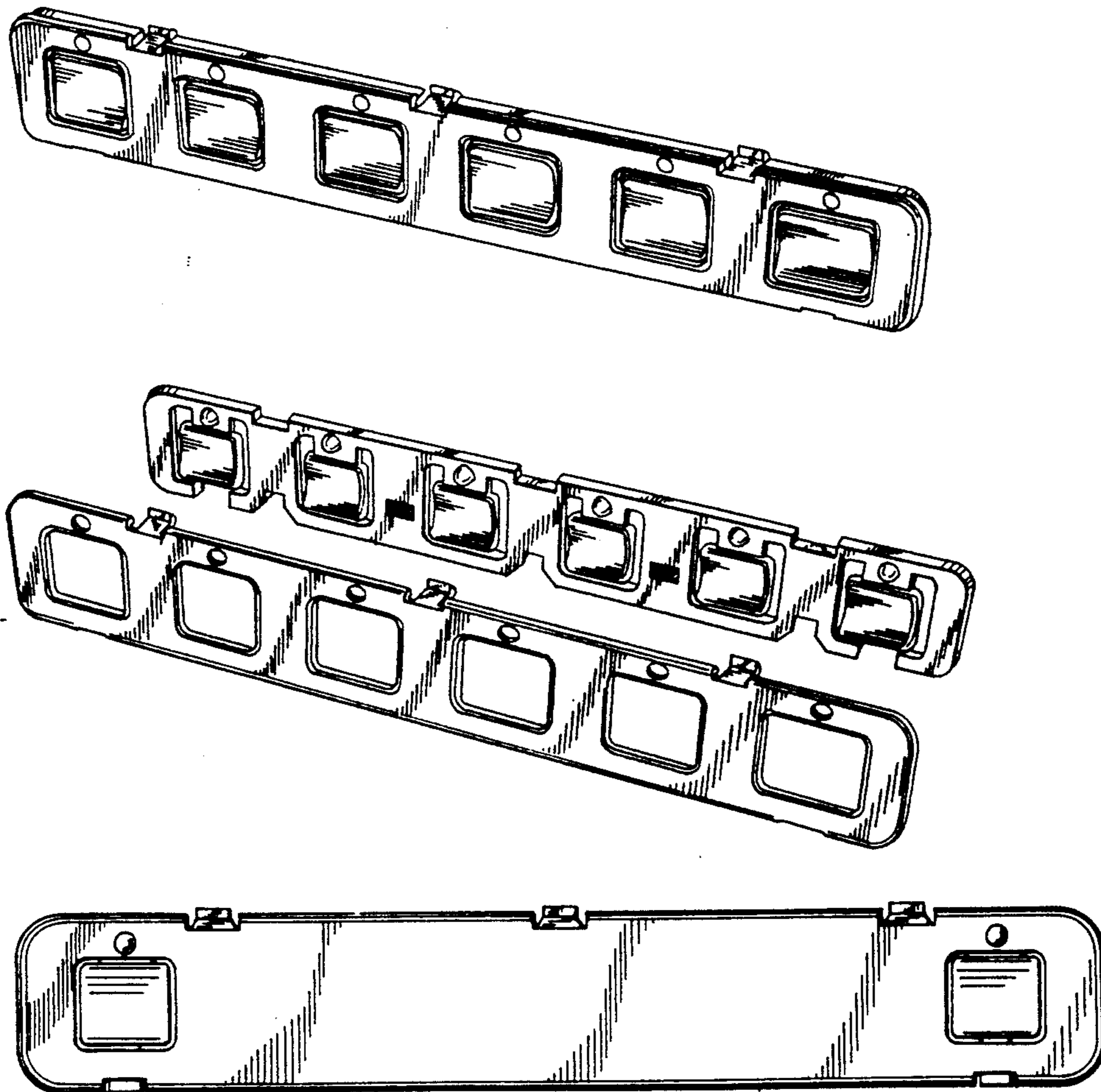
Attorney, Agent, or Firm—Flynn, Thiel, Boutell & Tanis

[57] **CLAIM**

The ornamental design for a switch panel, as shown and described.

DESCRIPTION

FIG. 1 is a top and right end perspective view of a switch panel embodying my new design;
 FIG. 2 is an exploded top and right end perspective view of my switch panel;
 FIG. 3 is a front elevational view thereof;
 FIG. 4 is a rear elevational view thereof;
 FIG. 5 is a top view thereof;
 FIG. 6 is a bottom view thereof;
 FIG. 7 is a right end view thereof, the left end view being a mirror image thereof;
 FIG. 8 is a front elevational view of a second embodiment of the design of FIG. 1, the only differences being the number and placement of the switches; and,
 FIG. 9 is a front elevational view of a third embodiment of the design of FIG. 1, the only differences being the number and placement of the switches.



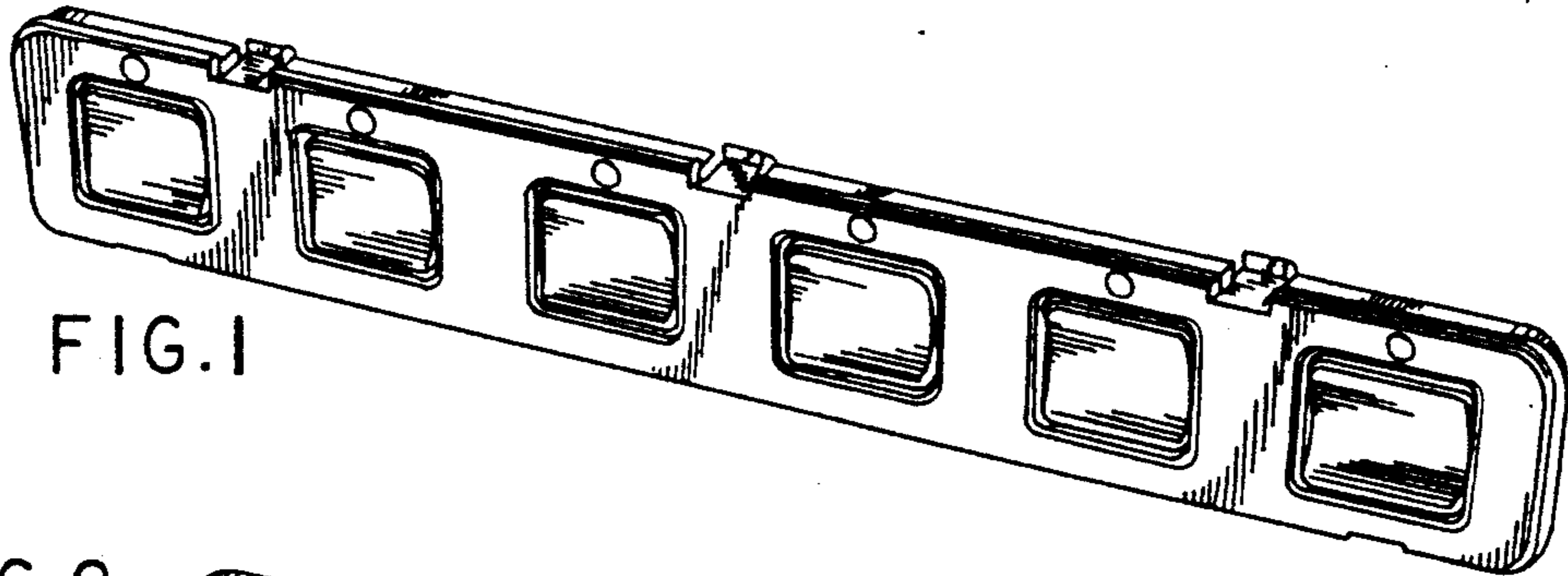


FIG. 1

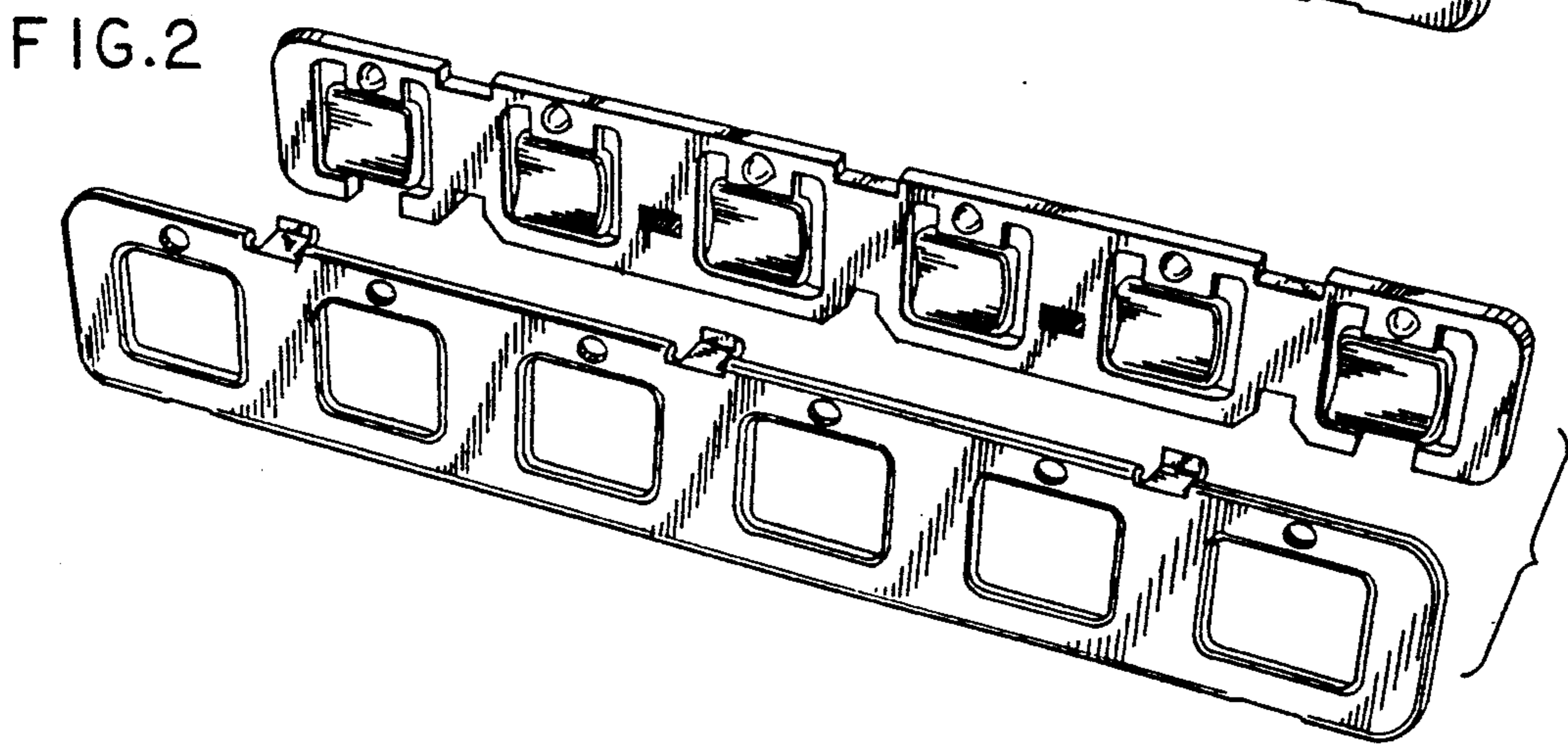


FIG. 2

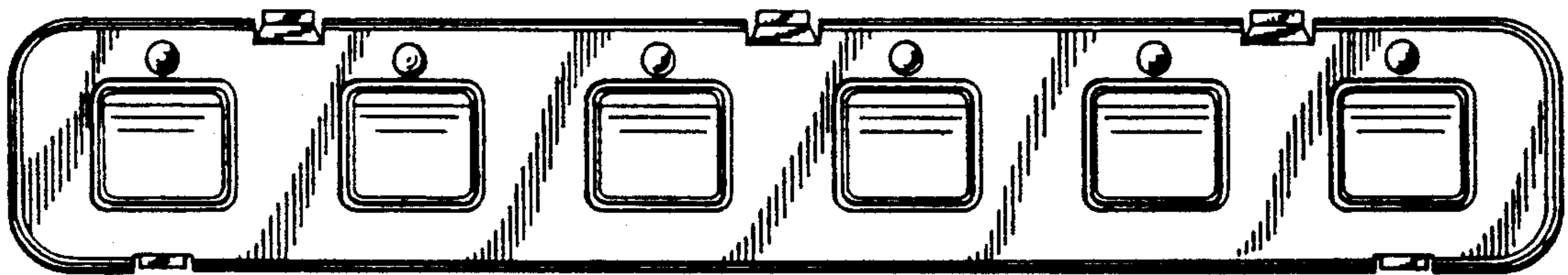


FIG. 3

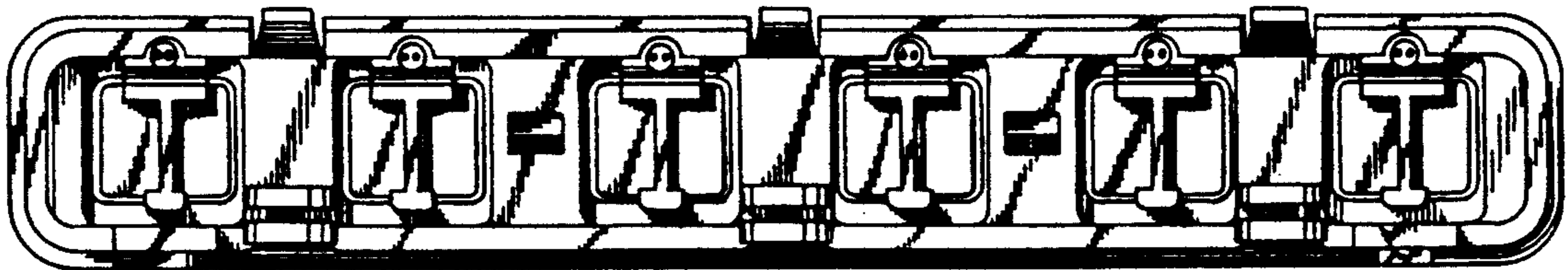


FIG. 4

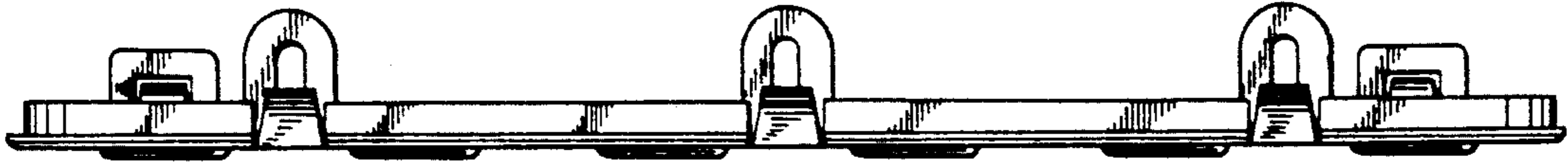


FIG. 5

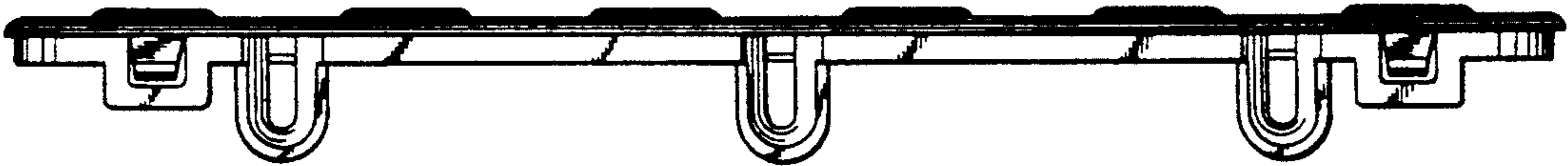


FIG. 6

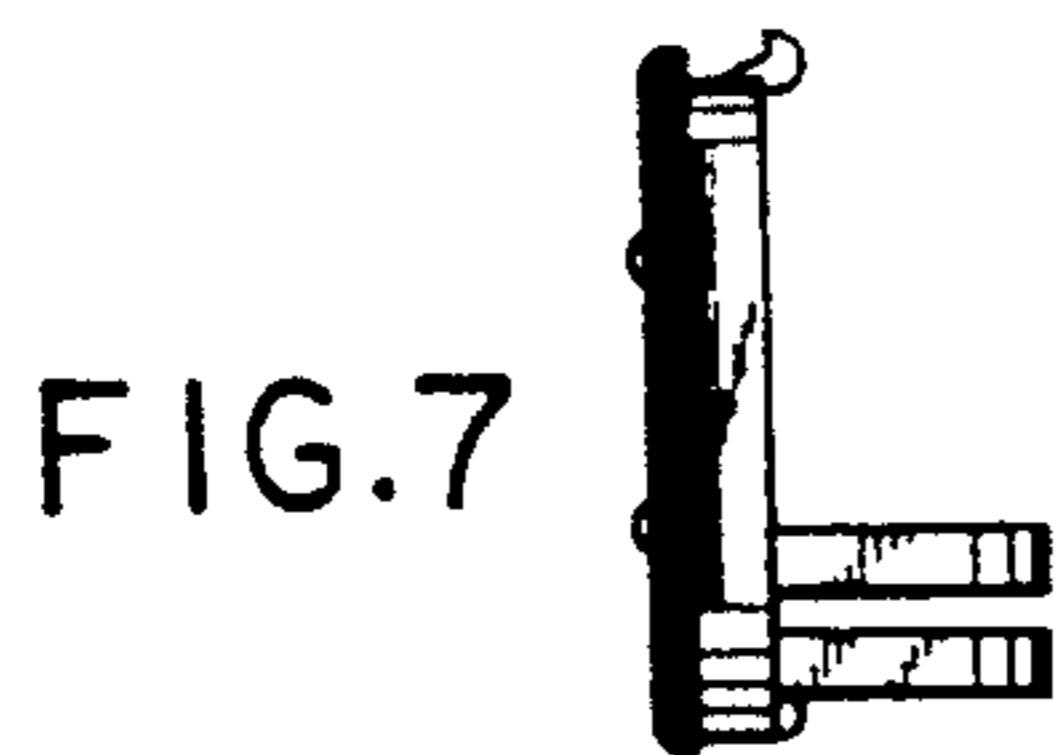


FIG. 7

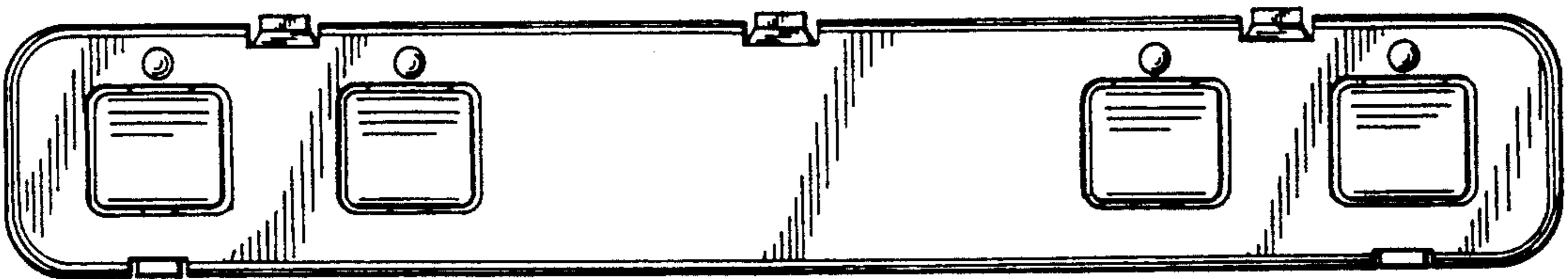


FIG. 8

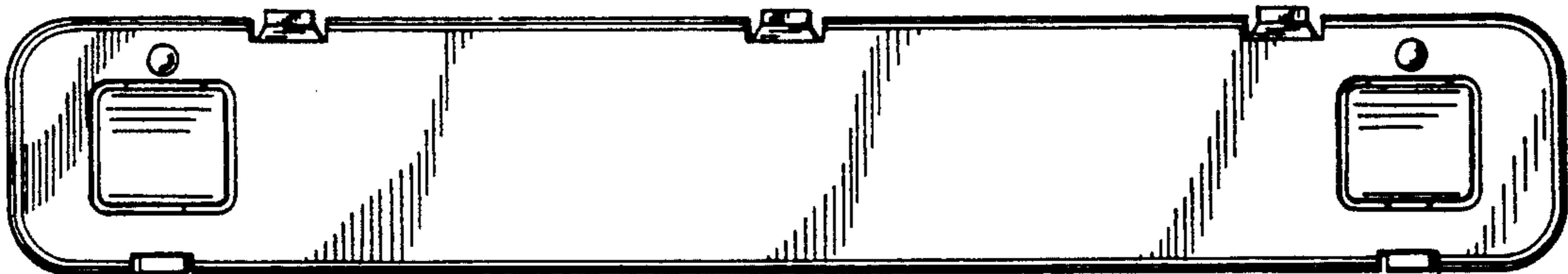


FIG. 9