



US00D337307S

United States Patent [19] Suzuki

[11] Patent Number: Des. 337,307

[45] Date of Patent: ** Jul. 13, 1993

[54] ELECTRICAL CONNECTOR RECEPTACLE

[75] Inventor: Akio Suzuki, Tokyo, Japan

[73] Assignee: Hirose Electric Co., Ltd., Tokyo, Japan

[**] Term: 14 Years

[21] Appl. No.: 698,062

[22] Filed: May 10, 1991

[30] Foreign Application Priority Data

Nov. 27, 1990 [JP] Japan 2-39323

[52] U.S. Cl. D13/147

[58] Field of Search D13/133, 146, 147;
D14/256; 439/344, 354, 676, 677, 680

[56] References Cited

U.S. PATENT DOCUMENTS

3,982,809	9/1976	Ward et al.	439/354
4,778,410	10/1988	Tanaka	439/676
4,863,393	9/1989	Ward et al.	439/676 X
4,904,210	2/1990	Cristescu et al.	439/344 X
5,094,631	3/1992	Suzuki	439/676

FOREIGN PATENT DOCUMENTS

0124978 5/1989 Japan 439/344

OTHER PUBLICATIONS

Telephone receptacles on p. 2 of Hosiden 1988 Guide.
Telephone receptacles on p. 4 of Hosiden 1988 Guide.

Primary Examiner—Wallace R. Burke

Assistant Examiner—Joel Sincavage

Attorney, Agent, or Firm—Kanesaka & Takeuchi

[57] CLAIM

The ornamental design for an electrical connector receptacle, as shown and described.

DESCRIPTION

FIG. 1 is a rear and upper right perspective view of an electrical connector receptacle showing my new design;

FIG. 2 is a front elevational view thereof;

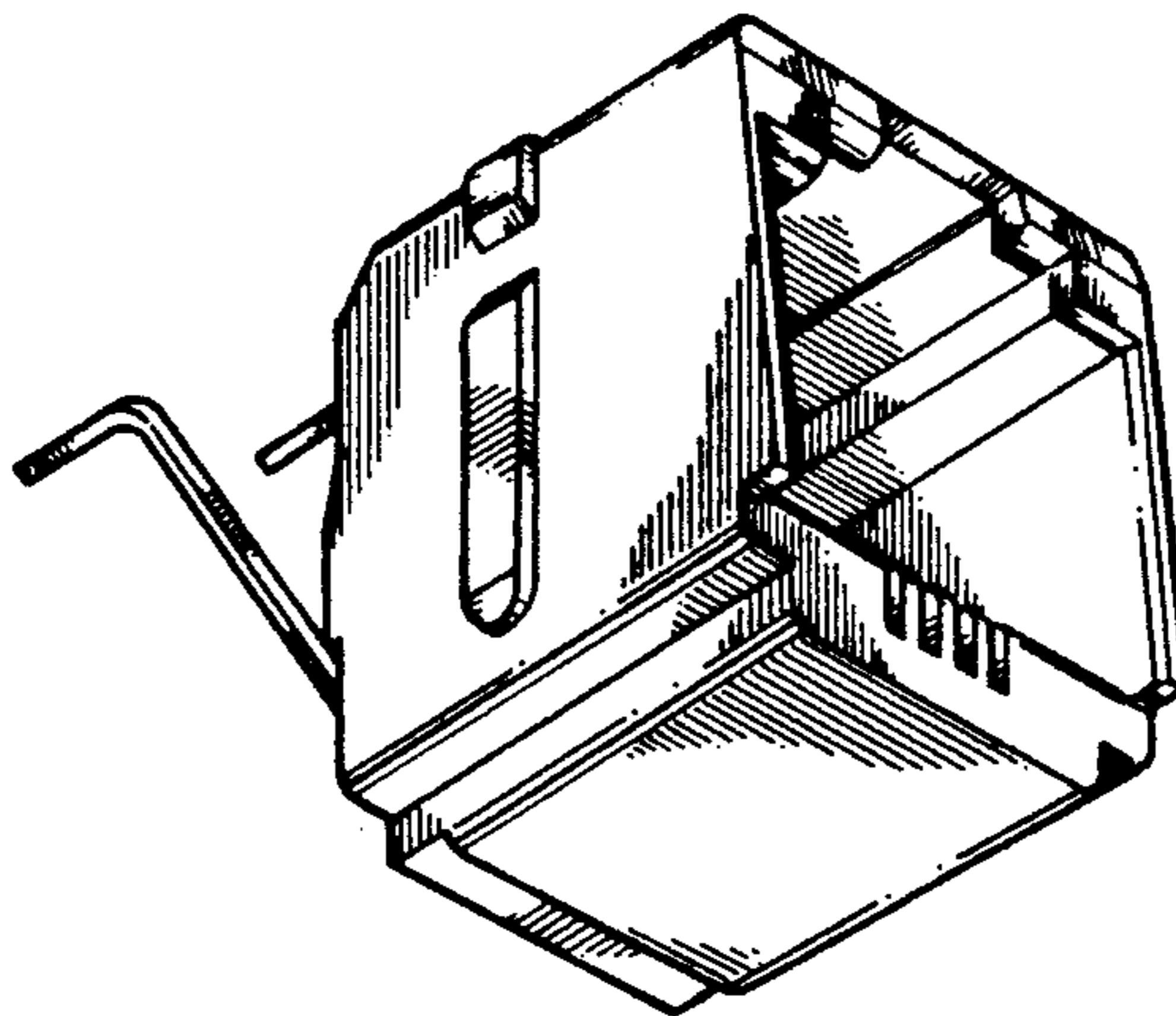
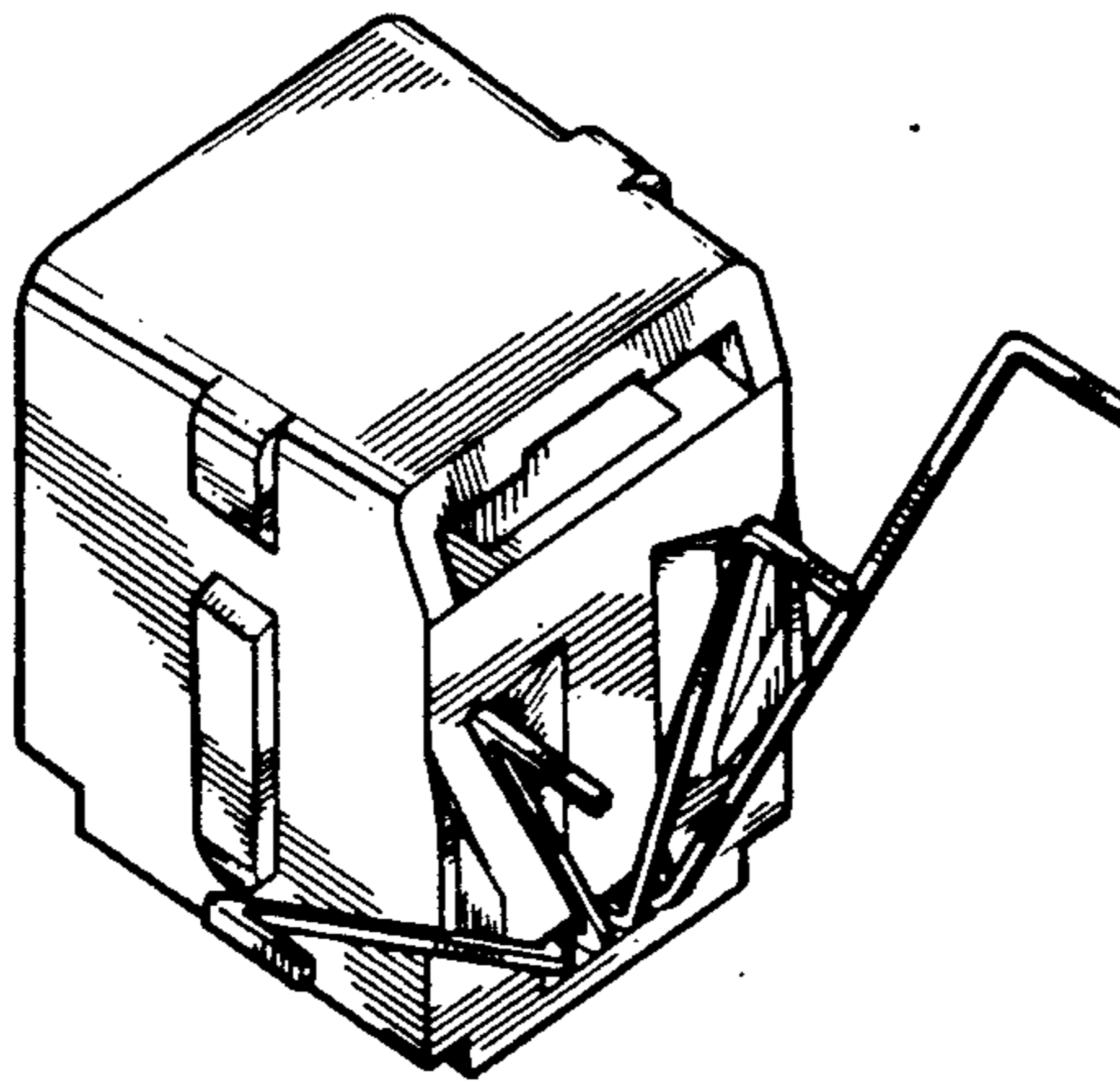
FIG. 3 is a top plan view thereof;

FIG. 4 is a bottom plan view thereof;

FIG. 5 is a rear elevational view thereof;

FIG. 6 is a side elevational view thereof, the other side being a mirror image; and,

FIG. 7 is a front and lower left perspective view thereof.



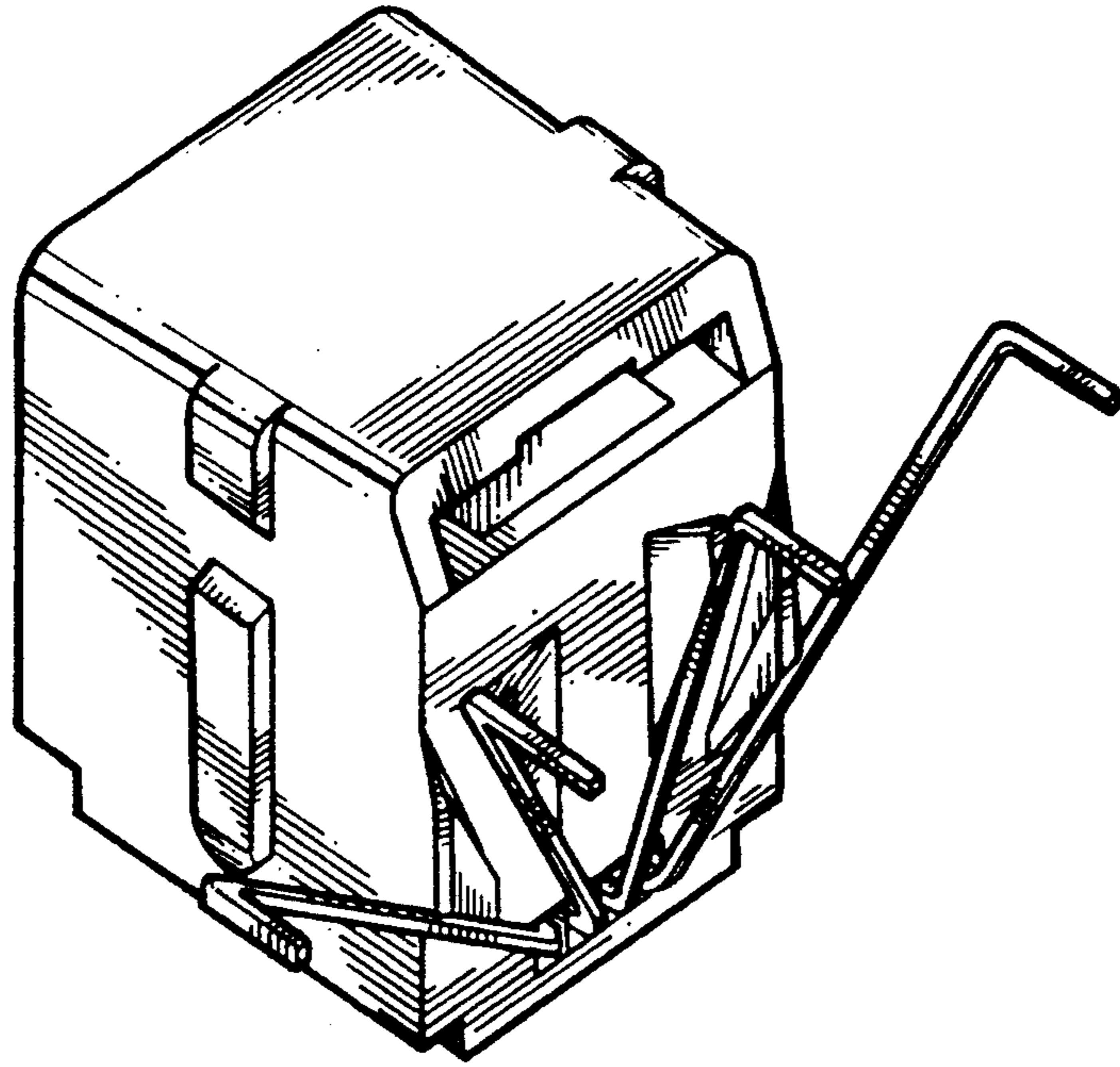


FIG. 1

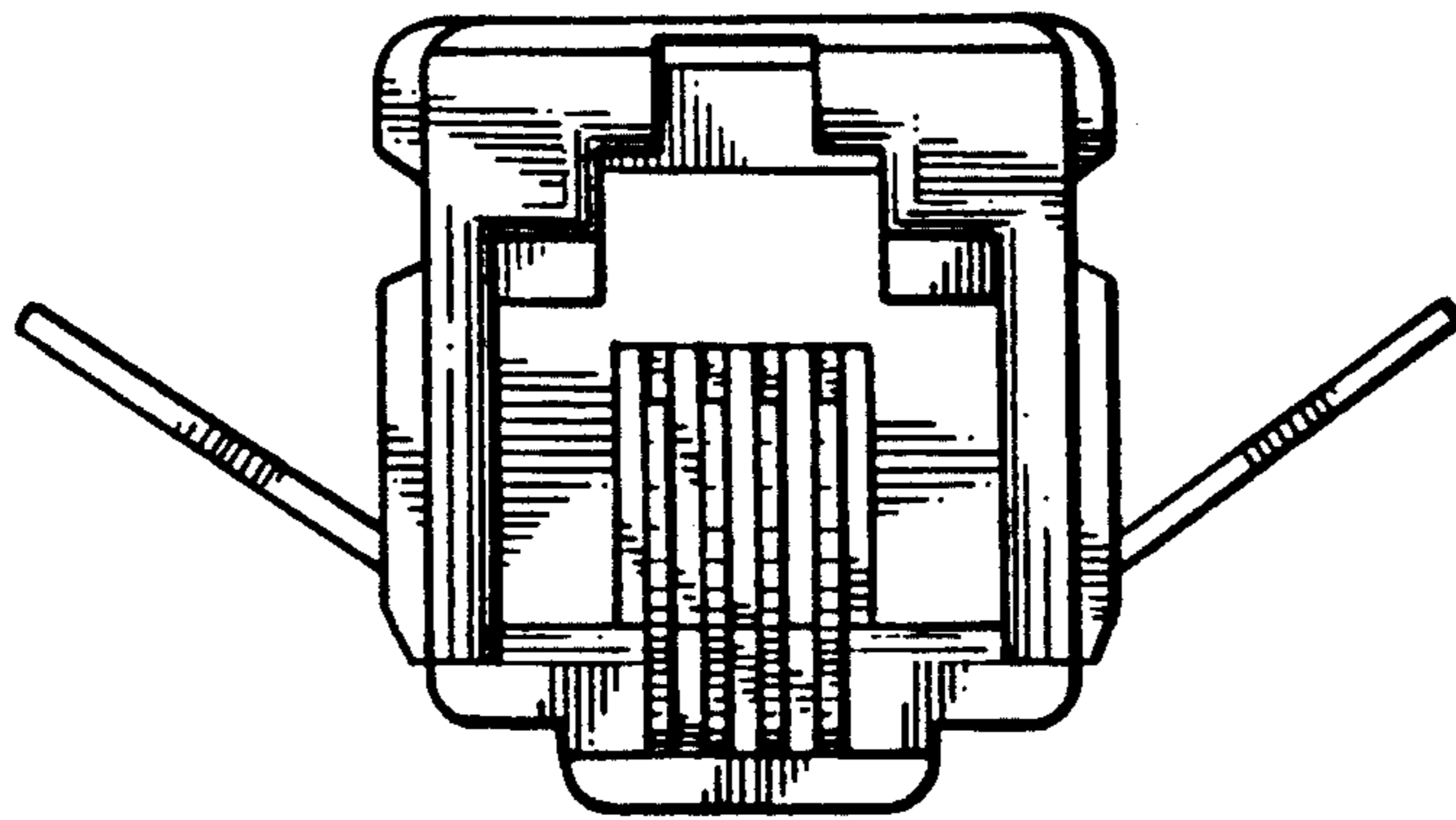


FIG. 2

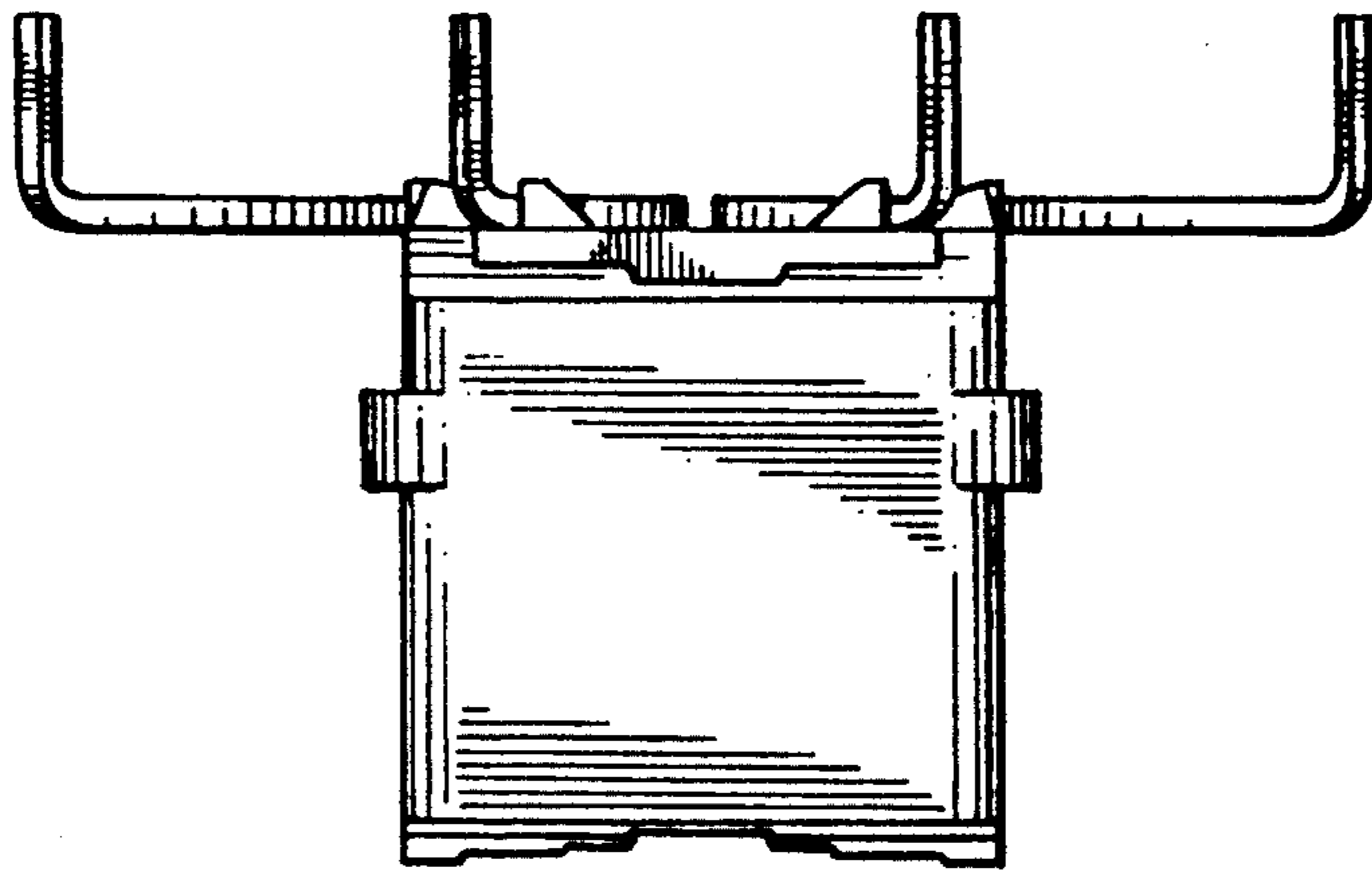


FIG. 3

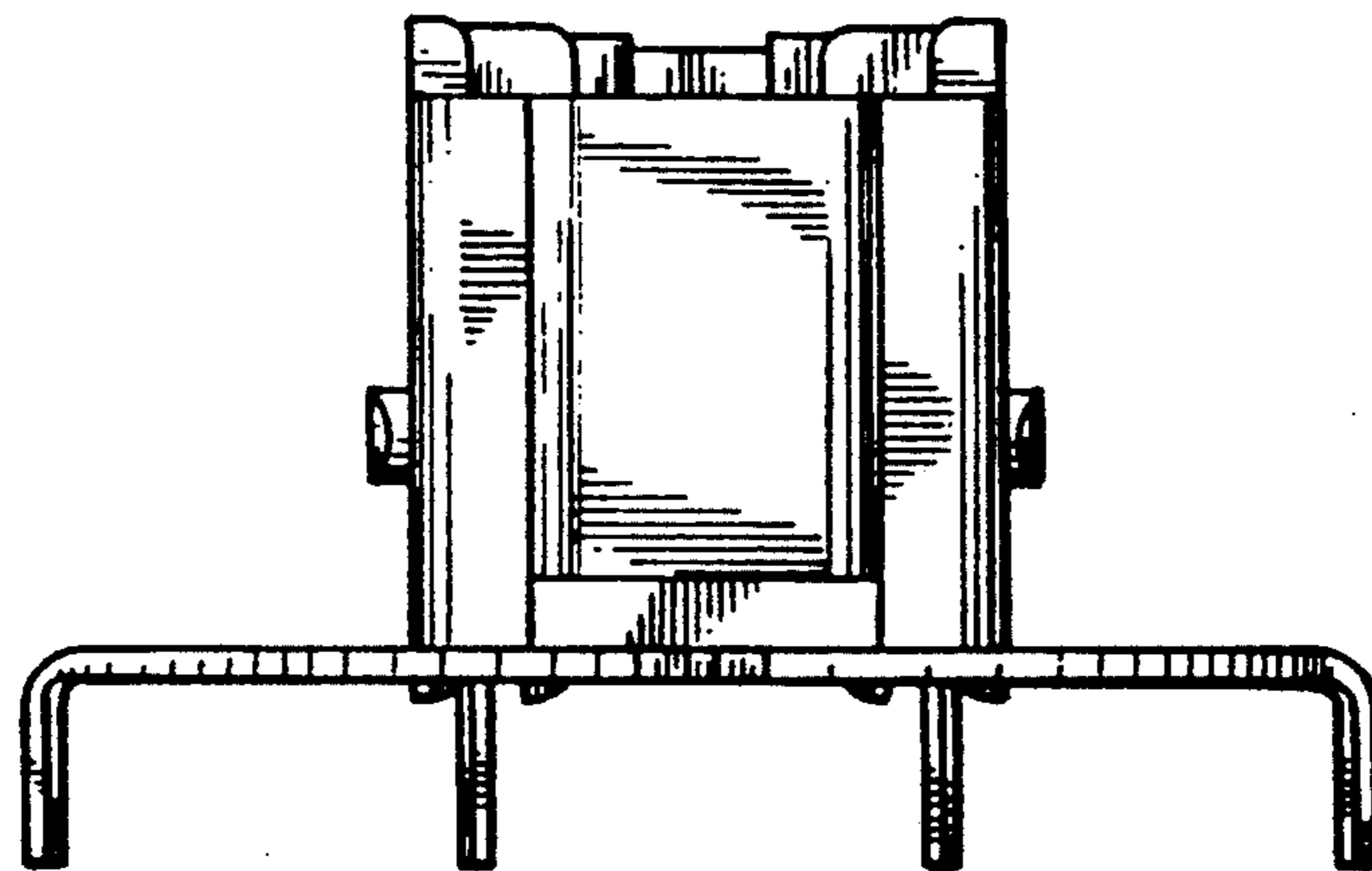


FIG. 4

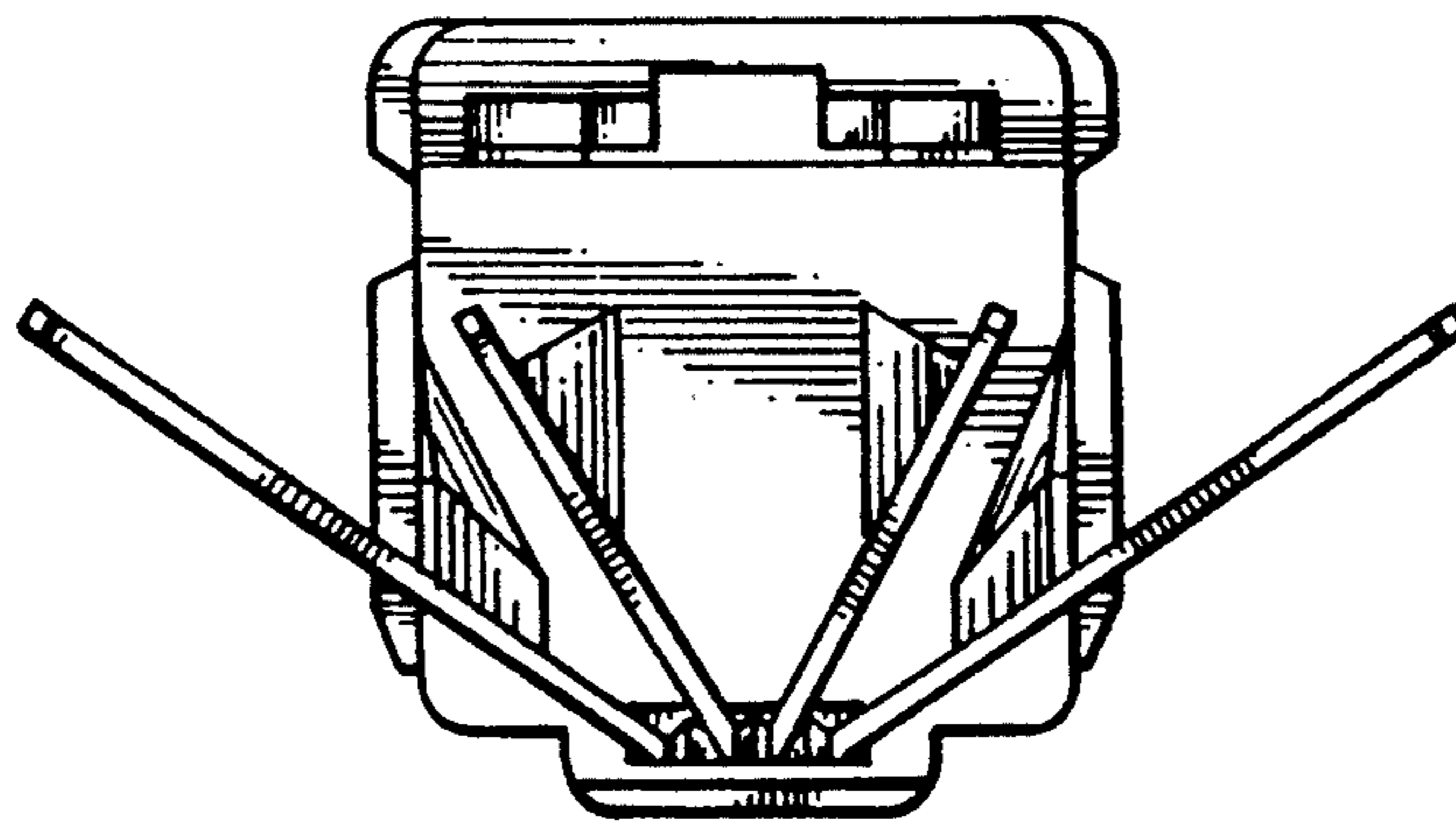


FIG. 5

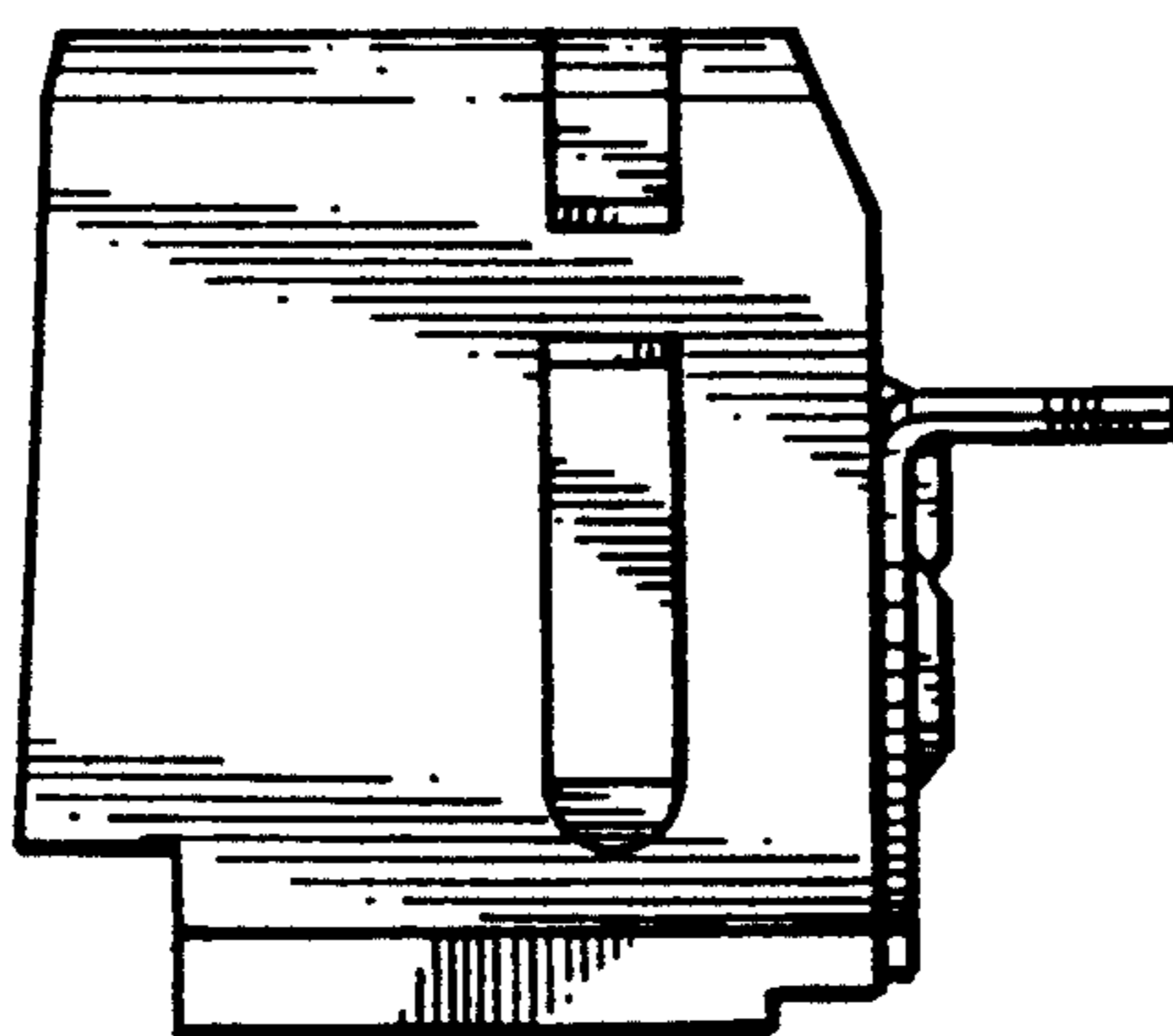


FIG. 6

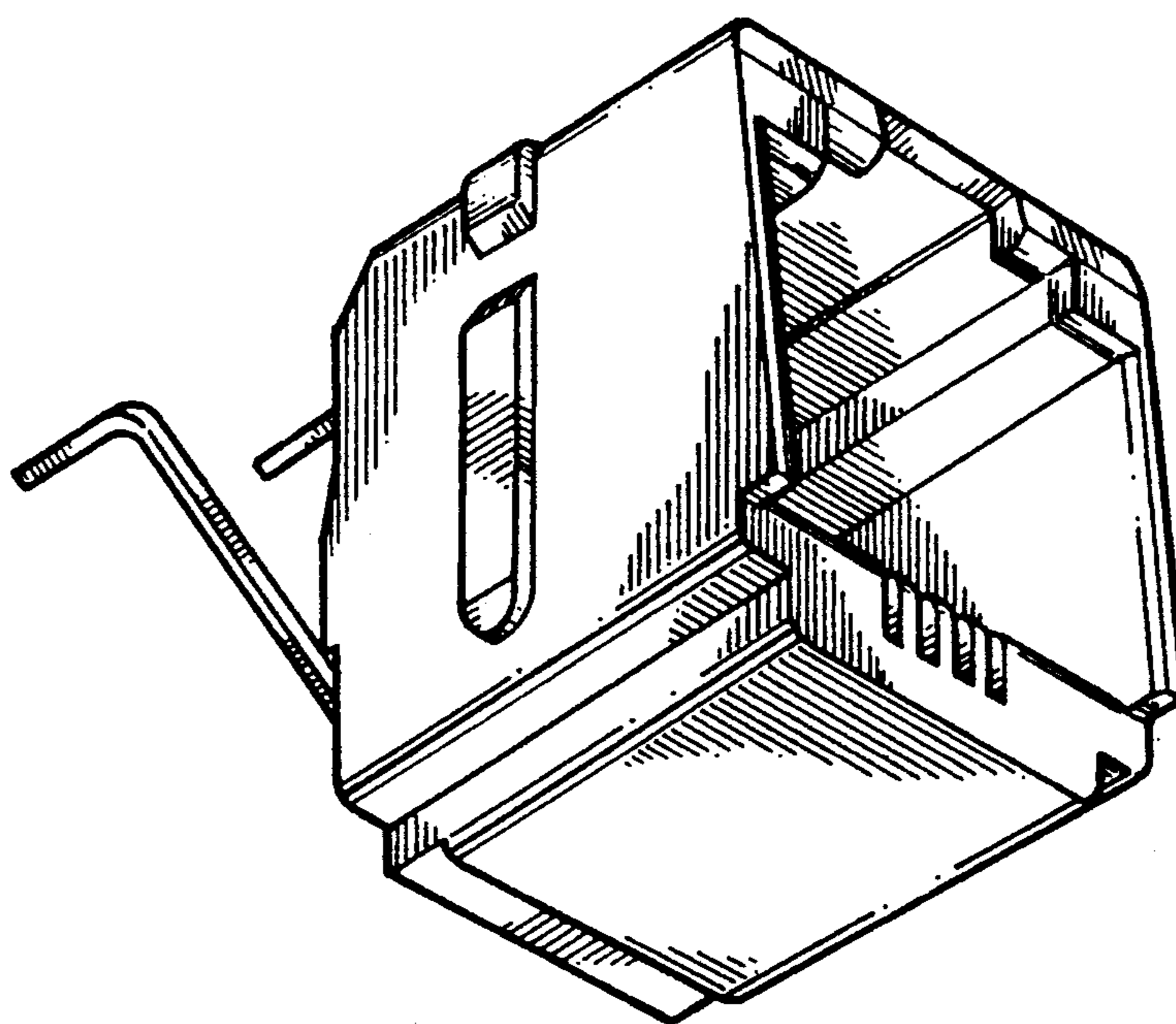


FIG. 7