



US00D337306S

United States Patent [19]

Nakata et al.

[11] Patent Number: **Des. 337,306**

[45] Date of Patent: **** Jul. 13, 1993**

[54] **ELECTRICAL CONNECTOR**

[75] Inventors: **Naohisa Nakata; Kensaku Sato**, both of Tokyo, Japan

[73] Assignee: **Hirose Electric Co., Ltd.**, Tokyo, Japan

[**] Term: **14 Years**

[21] Appl. No.: **700,910**

[22] Filed: **May 16, 1991**

[30] **Foreign Application Priority Data**

Jan. 22, 1991 [JP] Japan 3-1004

[52] U.S. Cl. **D13/146**

[58] Field of Search **D13/133, 146, 147;**
439/292, 352, 354, 358, 378, 483, 527, 533, 569,
572, 573, 594, 599, 950

[56] **References Cited**

U.S. PATENT DOCUMENTS

3,409,858 11/1968 Krehbiel 439/354
4,422,715 12/1983 Williams et al. **D13/147 X**
4,564,252 1/1986 Kato et al. 439/358

4,634,204 1/1987 Detter et al. 439/352 X
4,702,538 10/1987 Hutter et al. 439/292
4,948,376 8/1990 Penning 439/650 X

FOREIGN PATENT DOCUMENTS

2135728 9/1979 Fed. Rep. of Germany 439/599

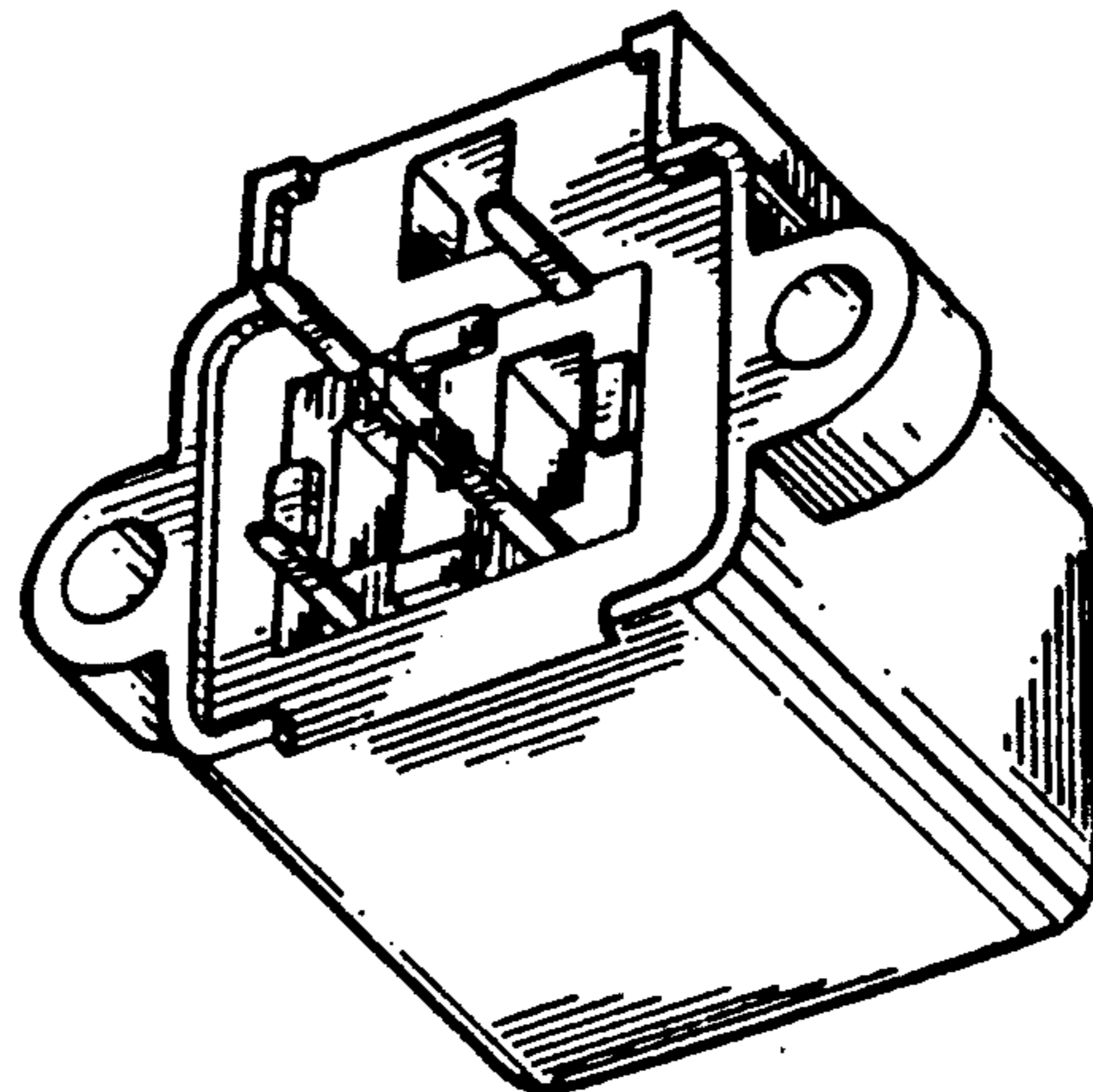
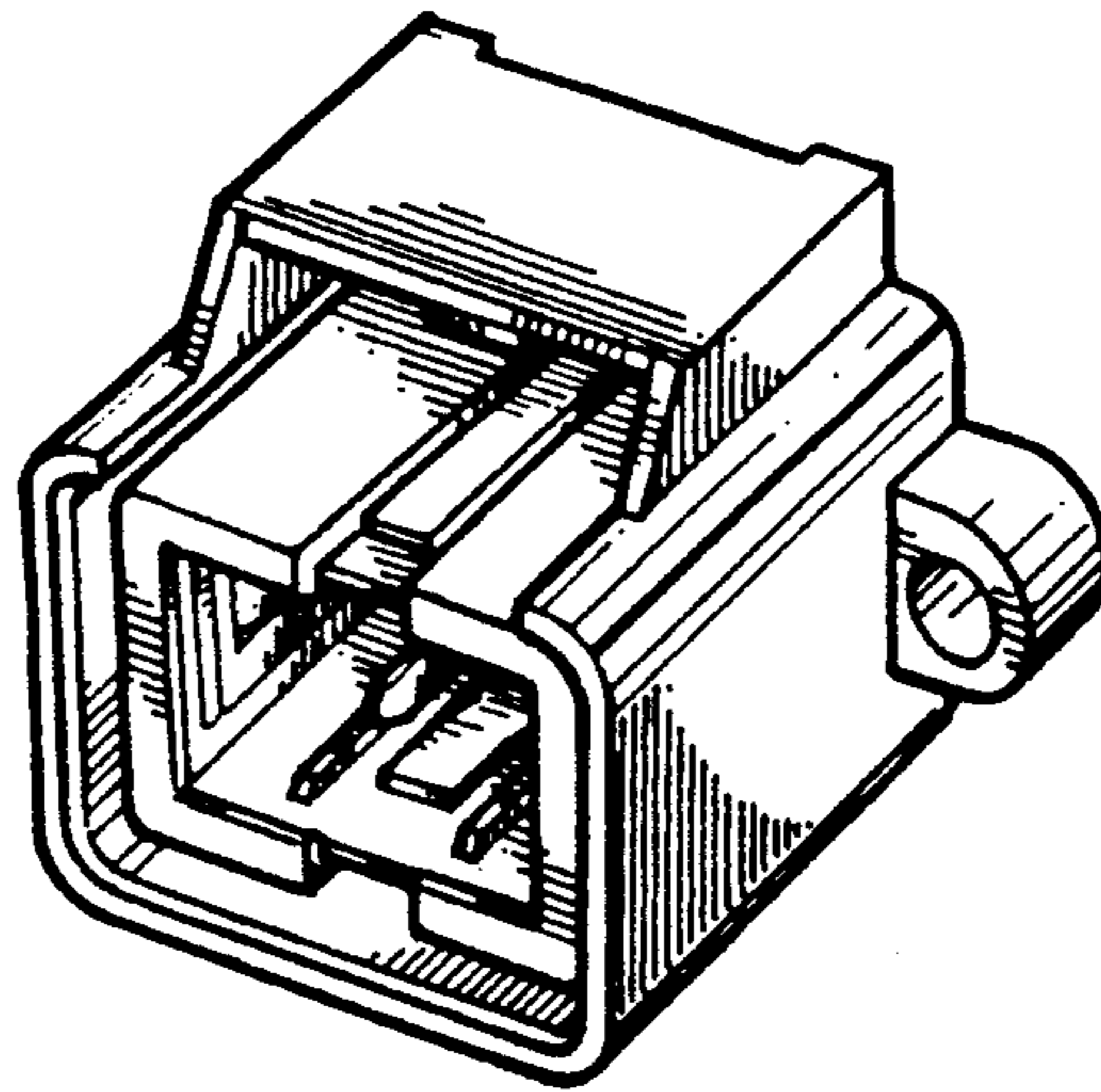
Primary Examiner—Wallace R. Burke
Assistant Examiner—Joel Sincavage
Attorney, Agent, or Firm—Kanesaka & Takeuchi

[57] **CLAIM**

The ornamental design for an electrical connector, as shown and described.

DESCRIPTION

FIG. 1 is a front and upper right perspective view of an electrical connector showing our new design; FIG. 2 is a top plan view thereof; FIG. 3 is a front elevational view thereof; FIG. 4 is a side elevational view thereof, the other side being a mirror image; FIG. 5 is a rear elevational view thereof; FIG. 6 is a bottom plan view thereof; and, FIG. 7 is a rear and lower left perspective view thereof.



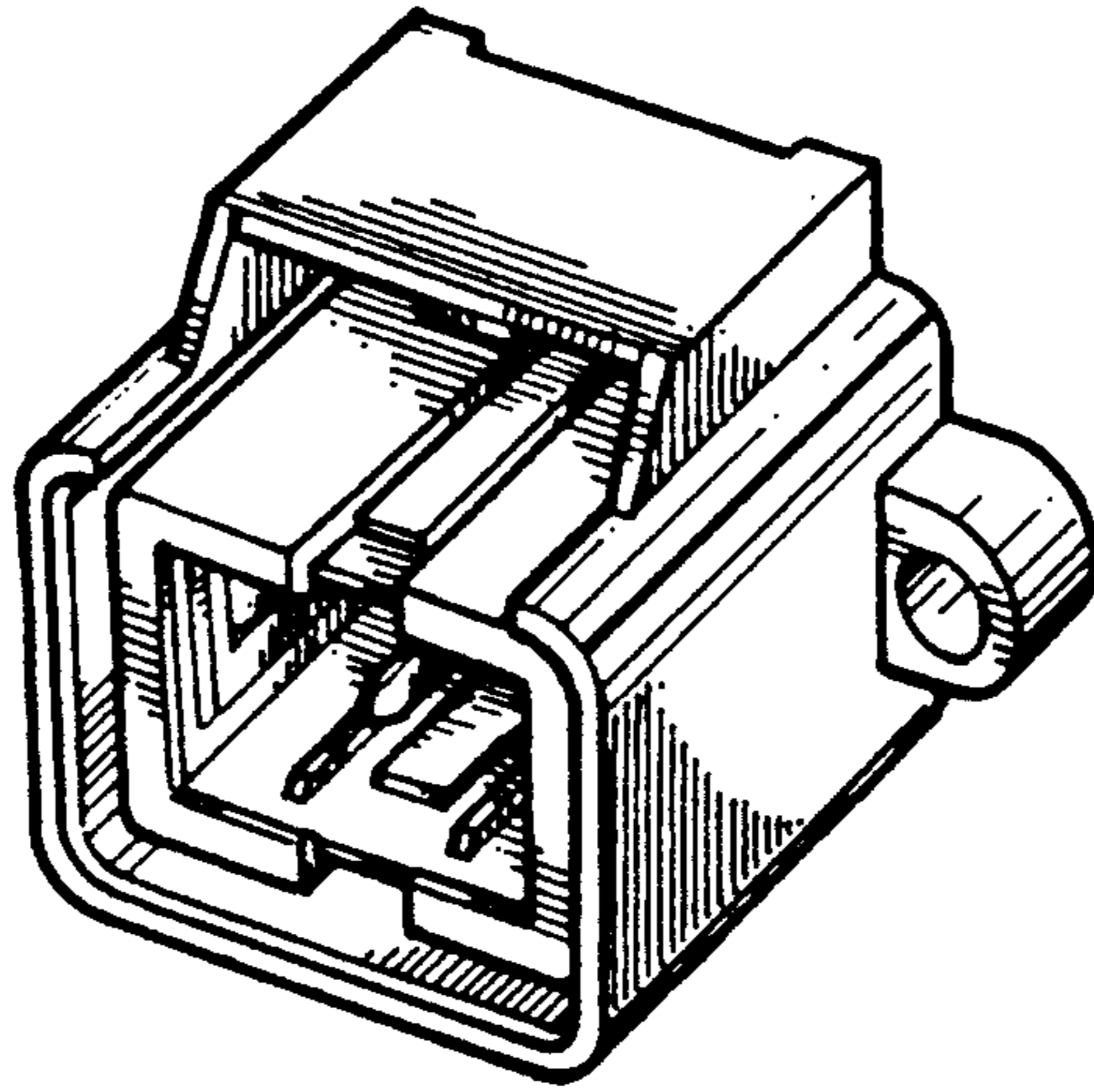


FIG. 1

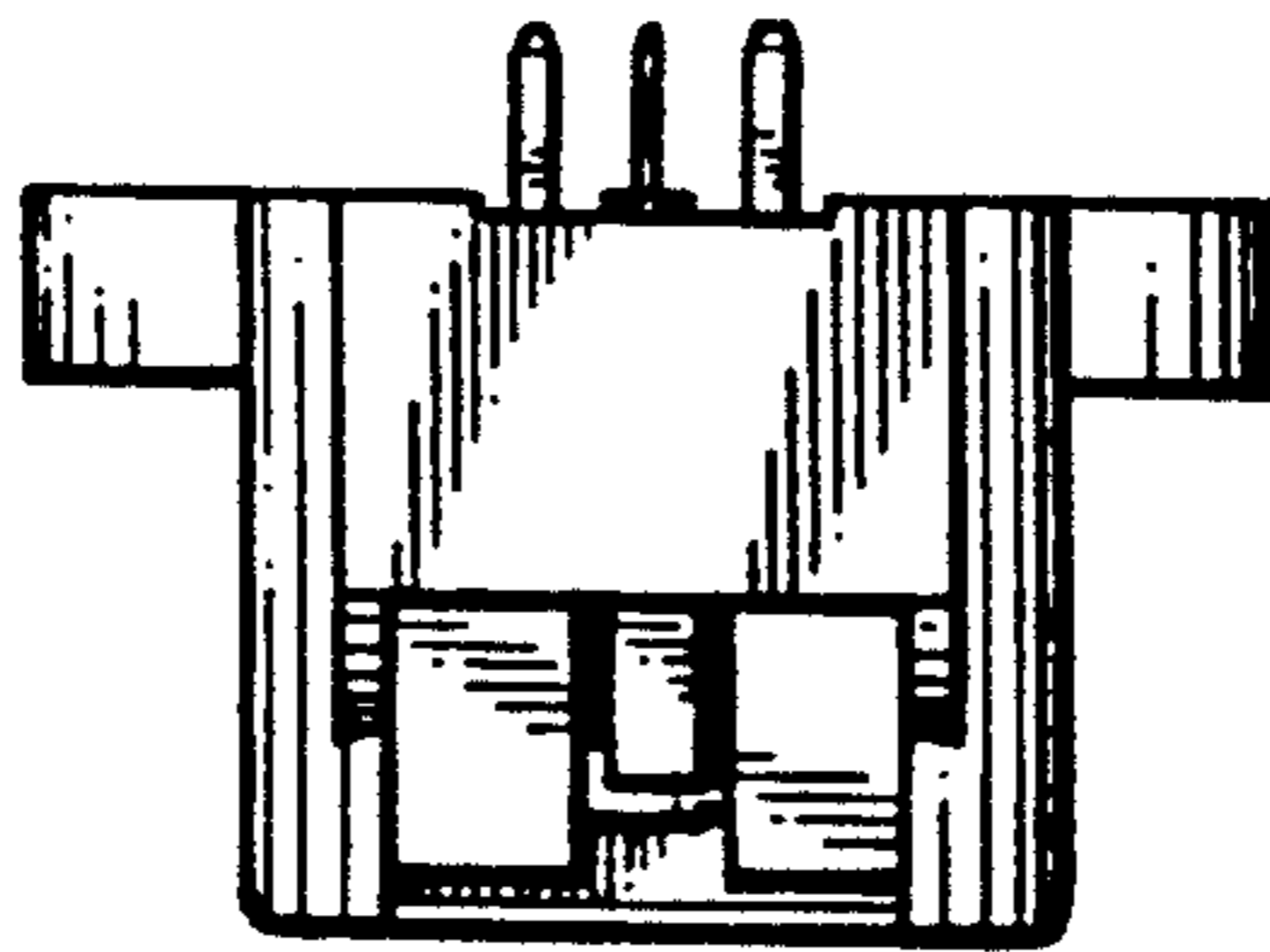


FIG. 2

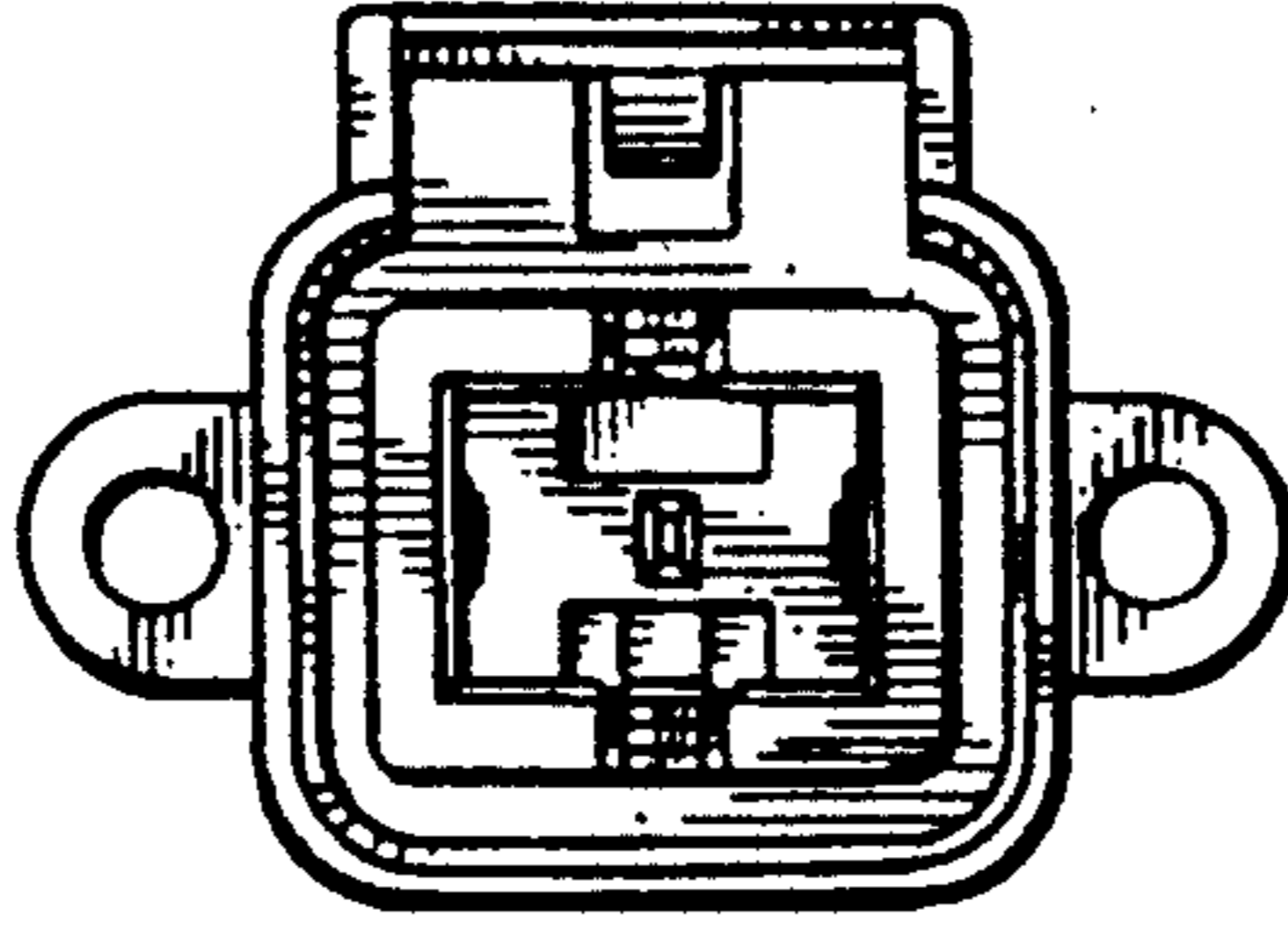


FIG. 3

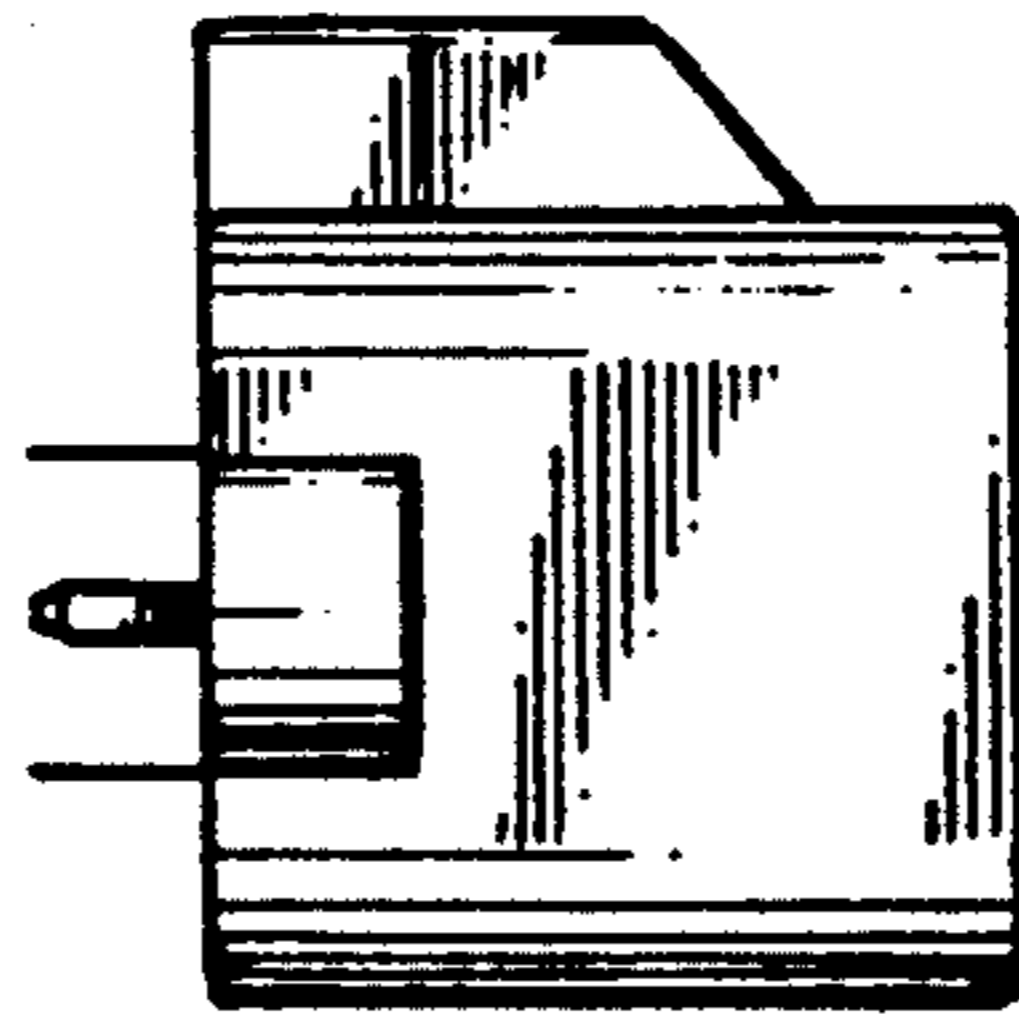


FIG. 4

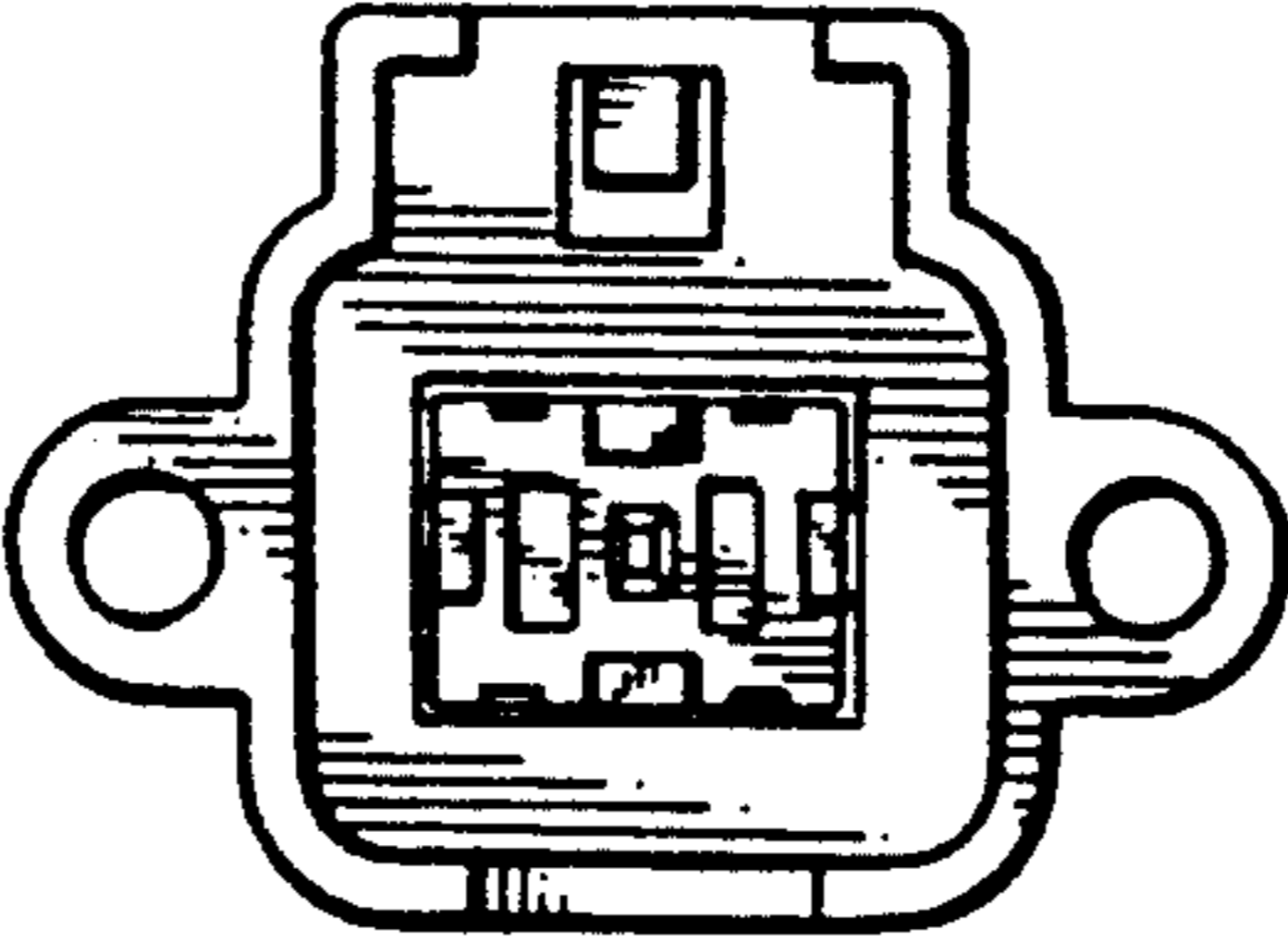


FIG. 5

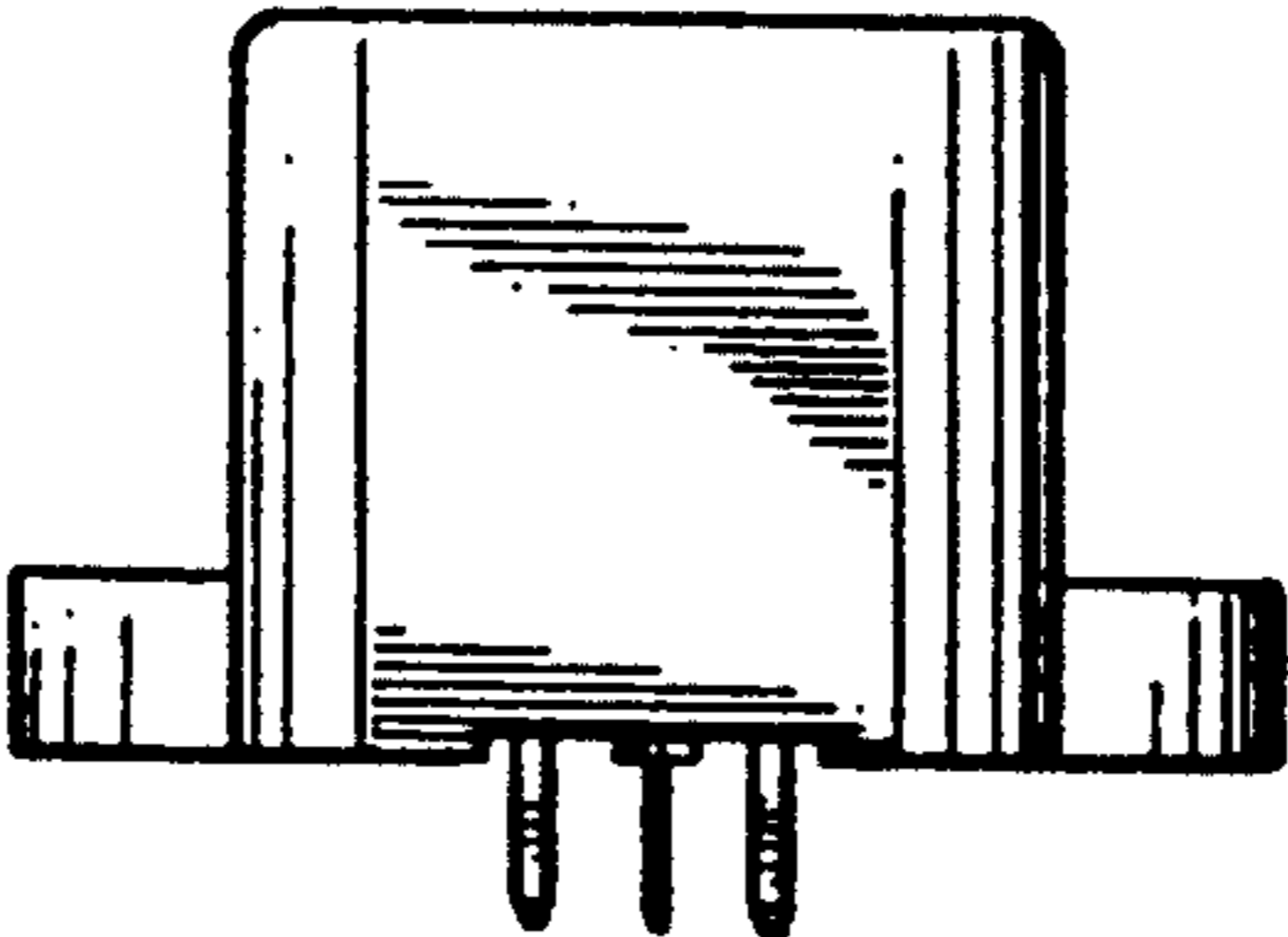


FIG. 6

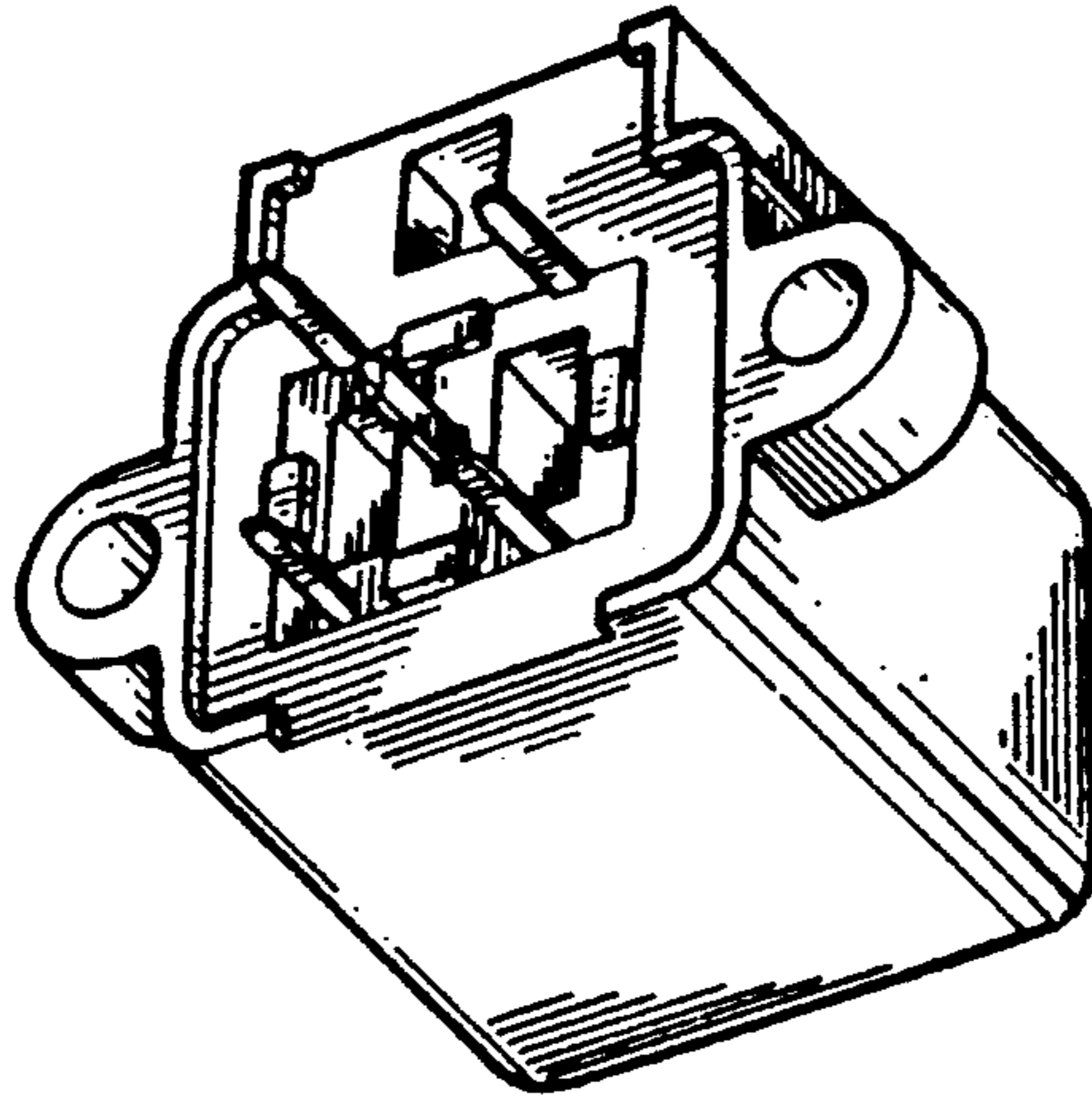


FIG. 7