



US00D337305S

United States Patent [19]

[11] Patent Number: **Des. 337,305**

Ross et al.

[45] Date of Patent: **** Jul. 13, 1993**

[54] ELECTRICAL CONNECTOR FOR COMPUTER PERIPHERALS

[75] Inventors: **Grant D. Ross, Morgan Hill; James I. Moulton, Sunnyvale, both of Calif.**

[73] Assignee: **Apple Computer, Inc., Cupertino, Calif.**

[**] Term: **14 Years**

[21] Appl. No.: **774,112**

[22] Filed: **Oct. 7, 1991**

[52] U.S. Cl. **D13/133**

[58] Field of Search **D13/133, 146, 147; 439/374, 593, 597, 598, 599, 626, 660, 668, 677, 682, 701, 709**

[56] References Cited

U.S. PATENT DOCUMENTS

D. 290,458 6/1987 O'Leary D13/147
3,351,892 11/1967 Feeser 439/677

FOREIGN PATENT DOCUMENTS

1443429 7/1976 United Kingdom 439/593

Primary Examiner—Wallace R. Burke

Assistant Examiner—Joel Sincavage

Attorney, Agent, or Firm—Franklyn C. Weiss

[57] CLAIM

The ornamental design for a electrical connector for computer peripherals, as shown and described.

DESCRIPTION

FIG. 1 is a front, right side perspective view of an electrical connector for computer peripherals showing our new design. The broken line showing is included for the purpose of illustrating environmental elements only and forms no part of the claimed design;

FIG. 2 is a top view thereof;

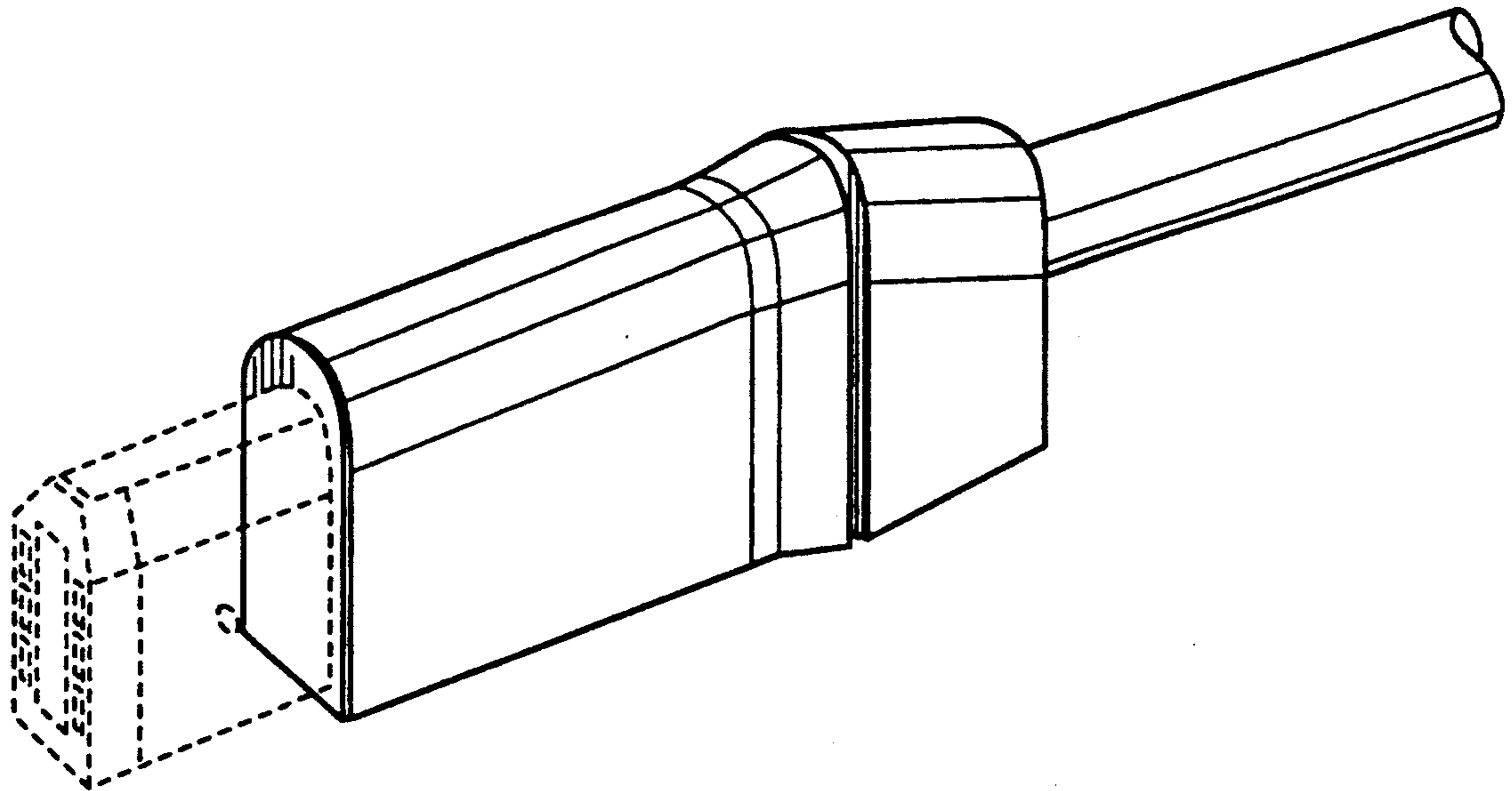
FIG. 3 is a bottom side view thereof;

FIG. 4 is a left side view thereof;

FIG. 5 is a right side view thereof;

FIG. 6 is a front view thereof; and,

FIG. 7 is a rear side view thereof.



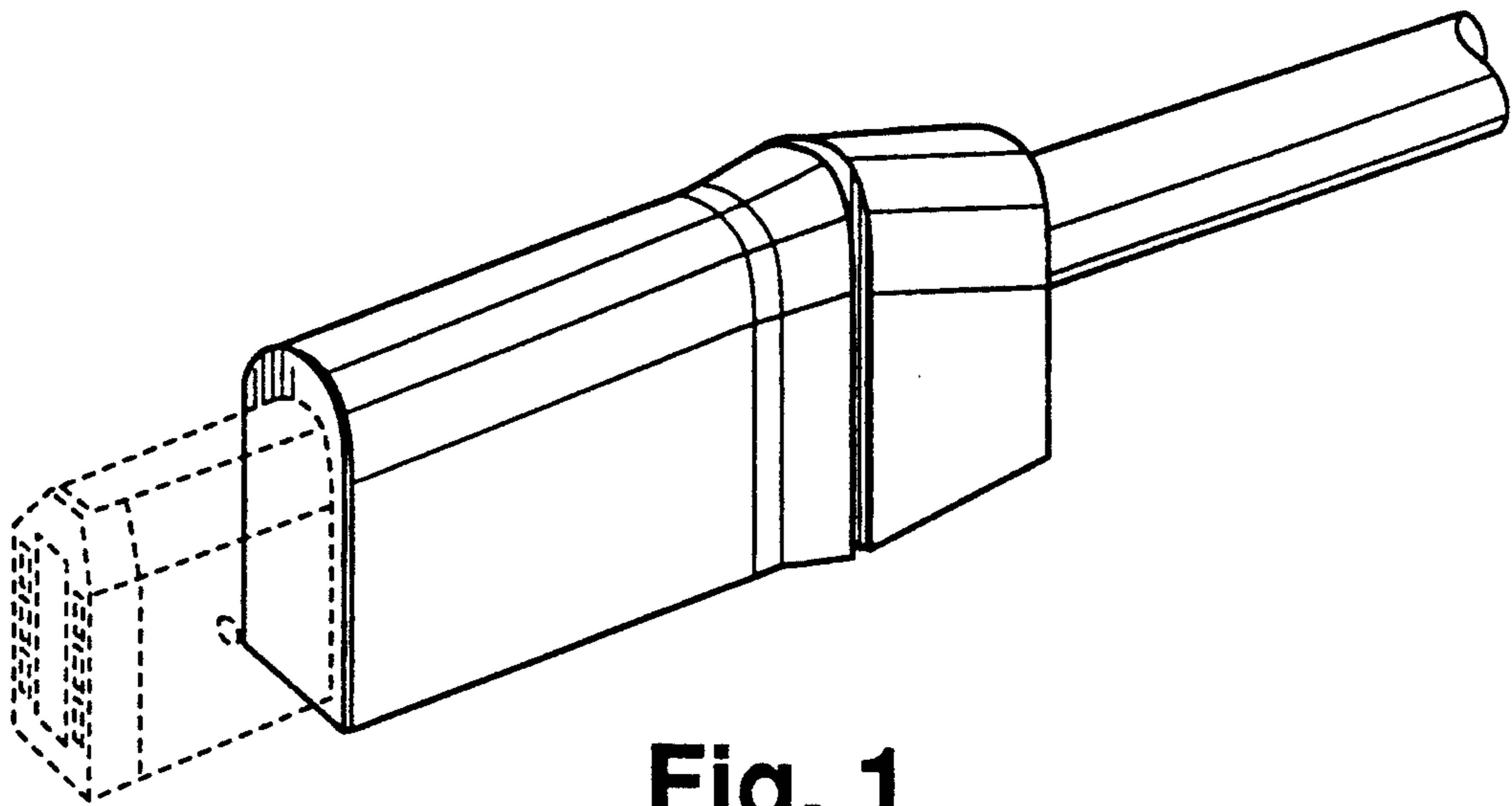


Fig. 1

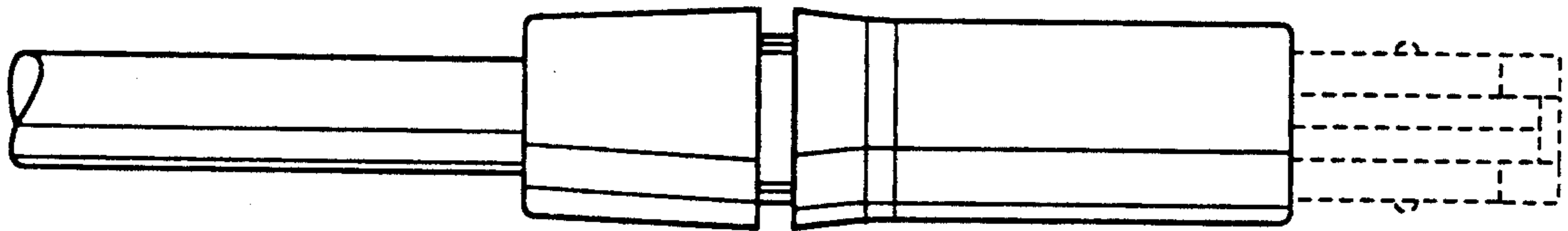


Fig. 2

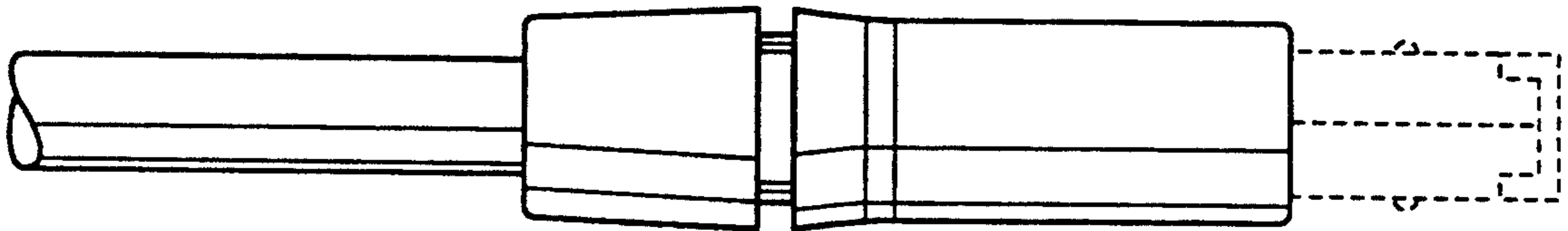


Fig. 3

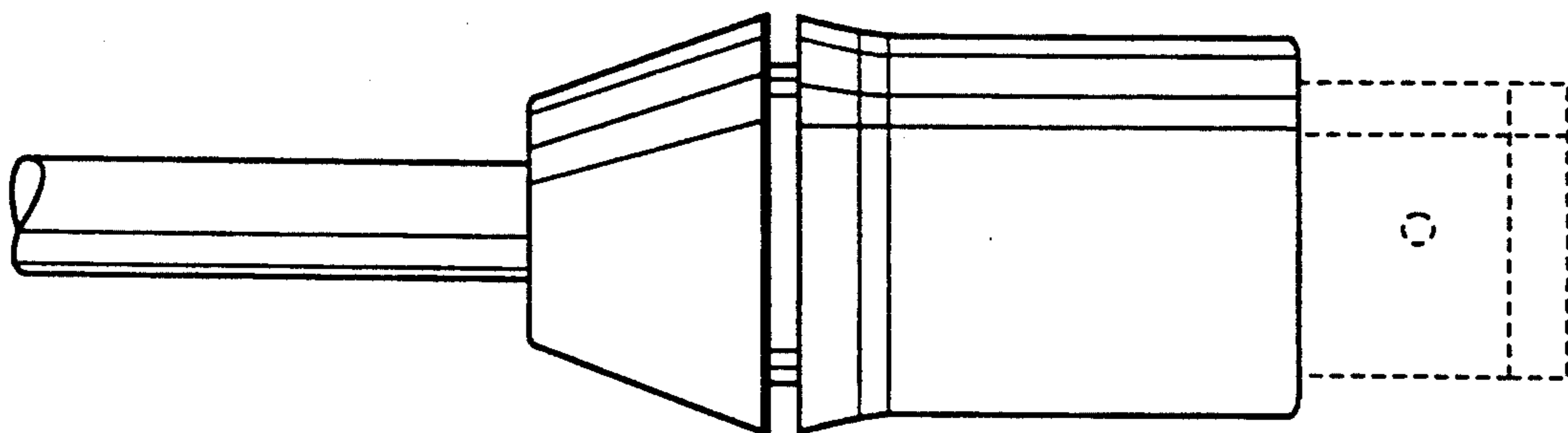


Fig. 4

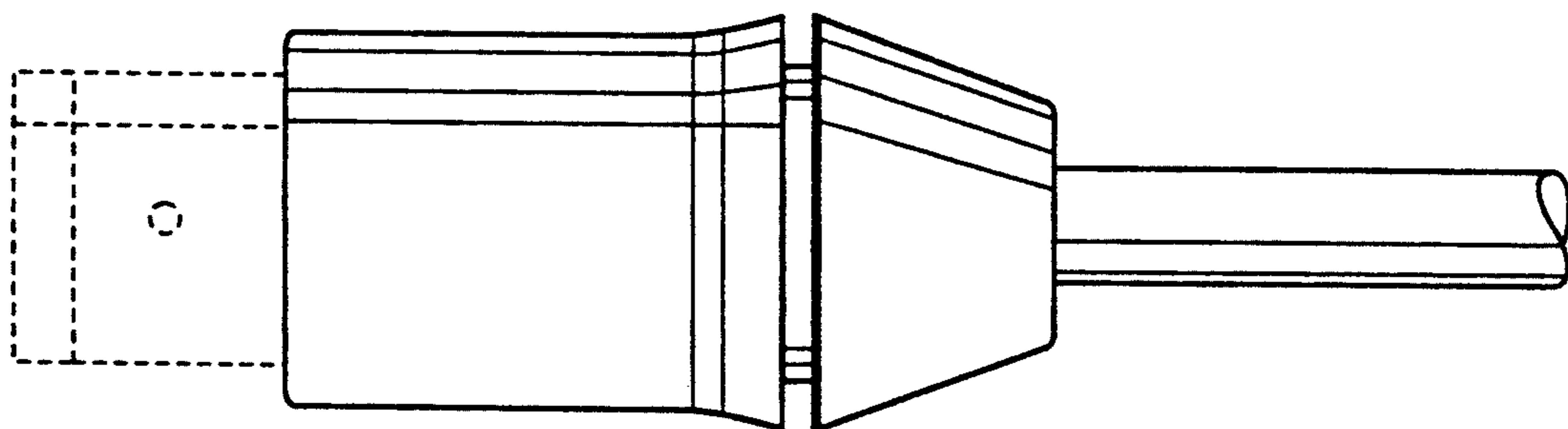


Fig. 5

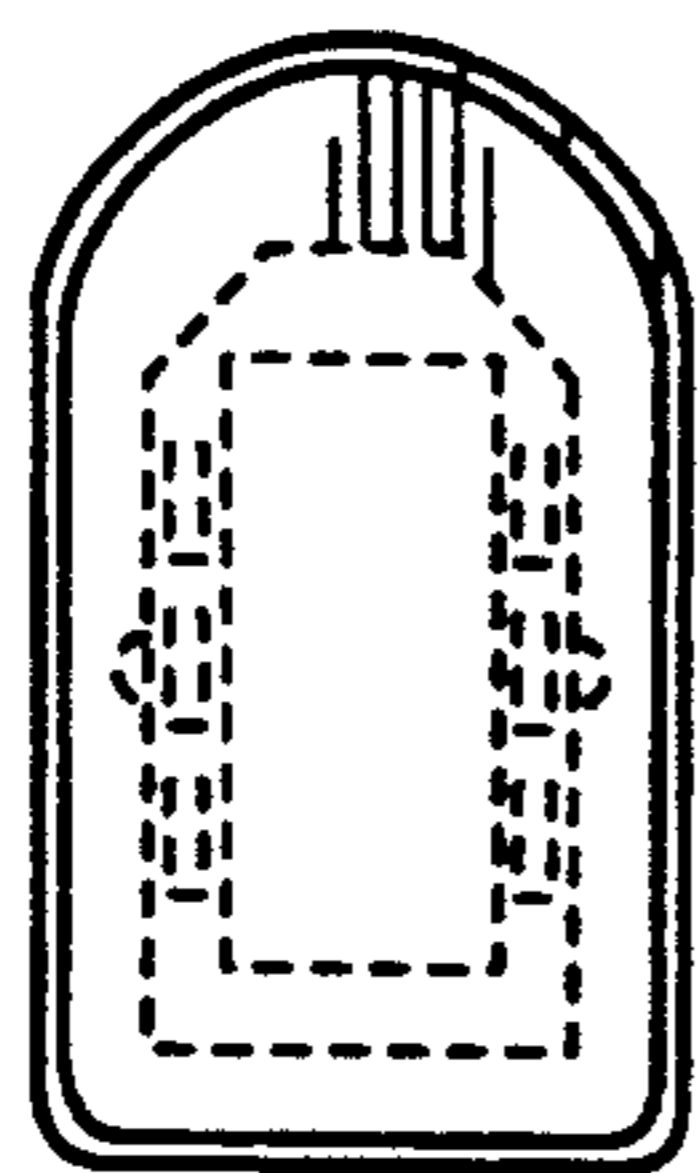


Fig. 6

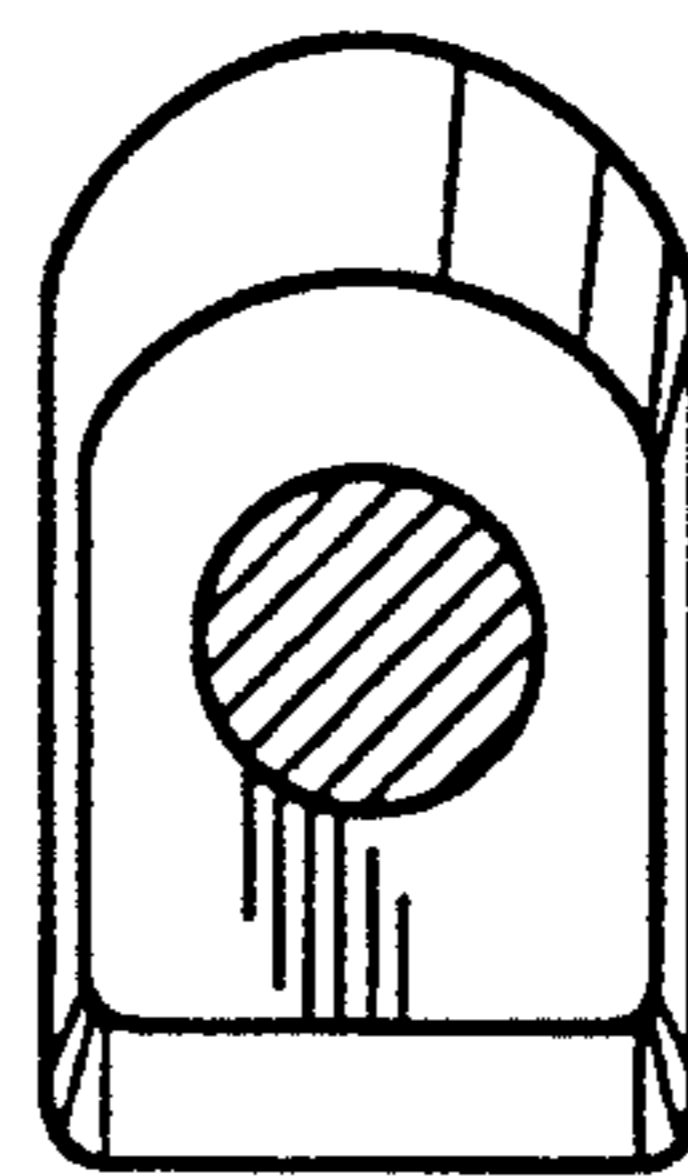


Fig. 7