



US00D337304S

United States Patent [19]

Lubbe et al.

[11] Patent Number: Des. 337,304

[45] Date of Patent: ** Jul. 13, 1993

[54] ELECTRONIC EQUIPMENT POWER AMPLIFIER MODULE

[75] Inventors: John Lubbe; Lester J. Onyszko, both of Chicago, Ill.

[73] Assignee: Motorola, Inc., Schaumburg, Ill.

[**] Term: 14 Years

[21] Appl. No.: 770,957

[22] Filed: Oct. 4, 1991

[52] U.S. Cl. D13/110; D13/162

[58] Field of Search D13/110, 118, 162, 164, D13/184; D14/197; 361/380, 383, 390, 391, 392, 393, 394, 395, 399, 412, 415, 417

[56] References Cited

U.S. PATENT DOCUMENTS

D. 210,780	4/1968	Ettinger et al.	D13/118
D. 211,952	8/1968	Ettinger et al.	D13/110
D. 274,615	7/1984	Bean et al.	D13/162
D. 296,432	6/1988	Harris et al.	D13/162
D. 308,961	7/1990	Golden et al.	D13/162
D. 309,292	7/1990	Sucato	D13/184
3,258,649	6/1966	Arguin et al.	361/415 X
4,247,882	1/1981	Prager et al.	361/391 X
4,386,388	5/1983	Beun	361/395 X
4,503,484	5/1985	Moxon	361/412 X
4,862,320	8/1989	Schmidt et al.	361/415 X

FOREIGN PATENT DOCUMENTS

3800728	7/1989	Fed. Rep. of Germany	361/399
2616034	12/1988	France	361/415

OTHER PUBLICATIONS

Modules on pp. 6 & 7 of Rosemount Plug-In, Inc. Catalog 10,000B, May 1970.

Modules on p. 537 of Sager Electrical Supply Co. 1982 catalog.

Modules on p. 3 of Elco Catalog No. 668, copyright 1986.

Primary Examiner—Wallace R. Burke

Assistant Examiner—Joel Sincavage

Attorney, Agent, or Firm—Darleen J. Stockley

[57] CLAIM

The ornamental design for an electronic equipment power amplifier module, as shown and described.

DESCRIPTION

FIG. 1 is a perspective view of the front, top, and right side of an electronic equipment power amplifier module showing a first embodiment of our new design;

FIG. 2 is a left elevational of the first embodiment;

FIG. 3 is a rear elevational view of the first embodiment;

FIG. 4 is a bottom plan view of the first embodiment;

FIG. 5 is a top, right and front perspective view of an electronic equipment power amplifier module showing a second embodiment of our new design;

FIG. 6 is a top plan view of the first embodiment;

FIG. 7 is a right side elevational view of the first embodiment;

FIG. 8 is a left side elevational view of the second embodiment;

FIG. 9 is a rear elevational view of the second embodiment; and,

FIG. 10 is a bottom plan view of the second embodiment.

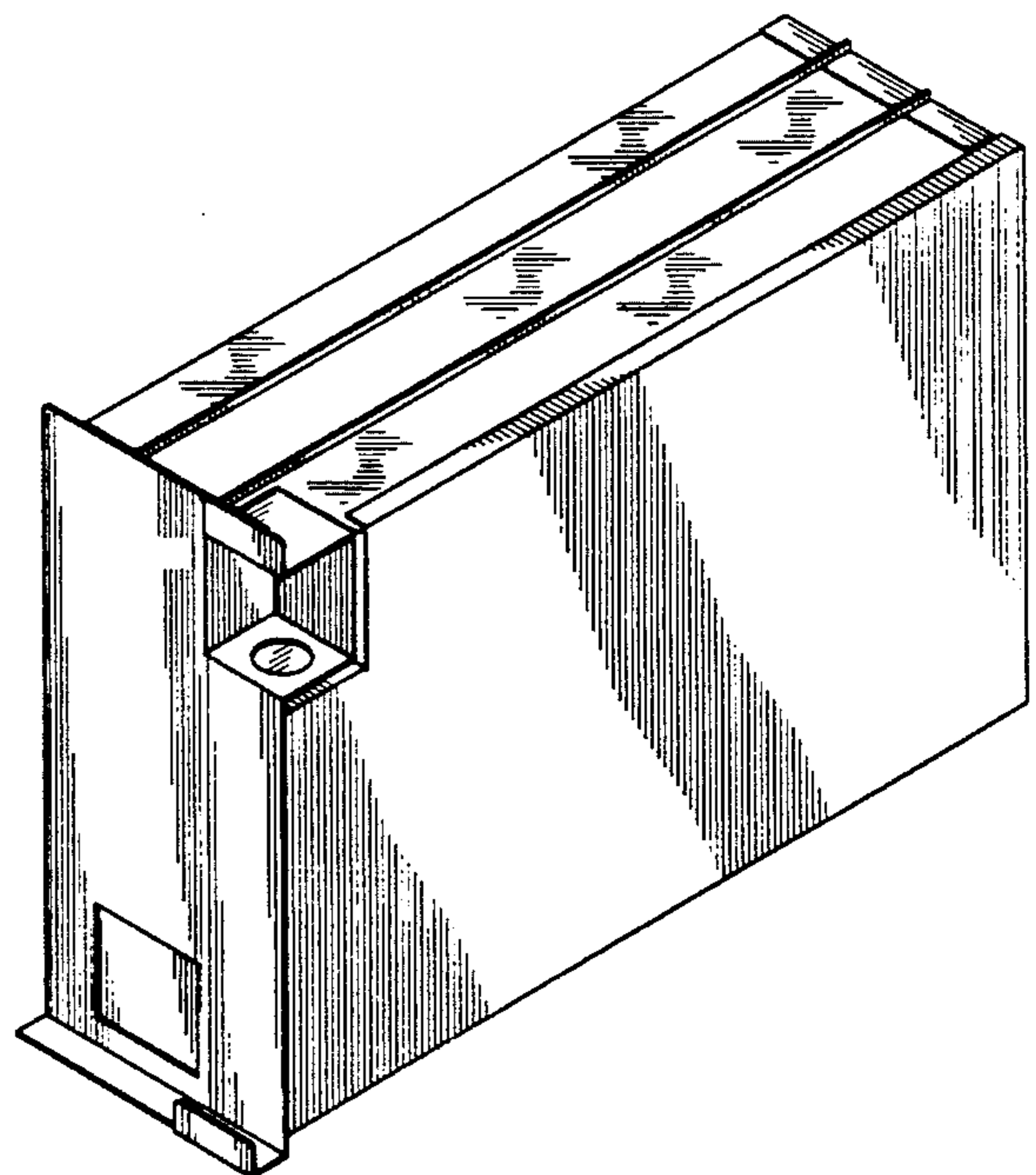
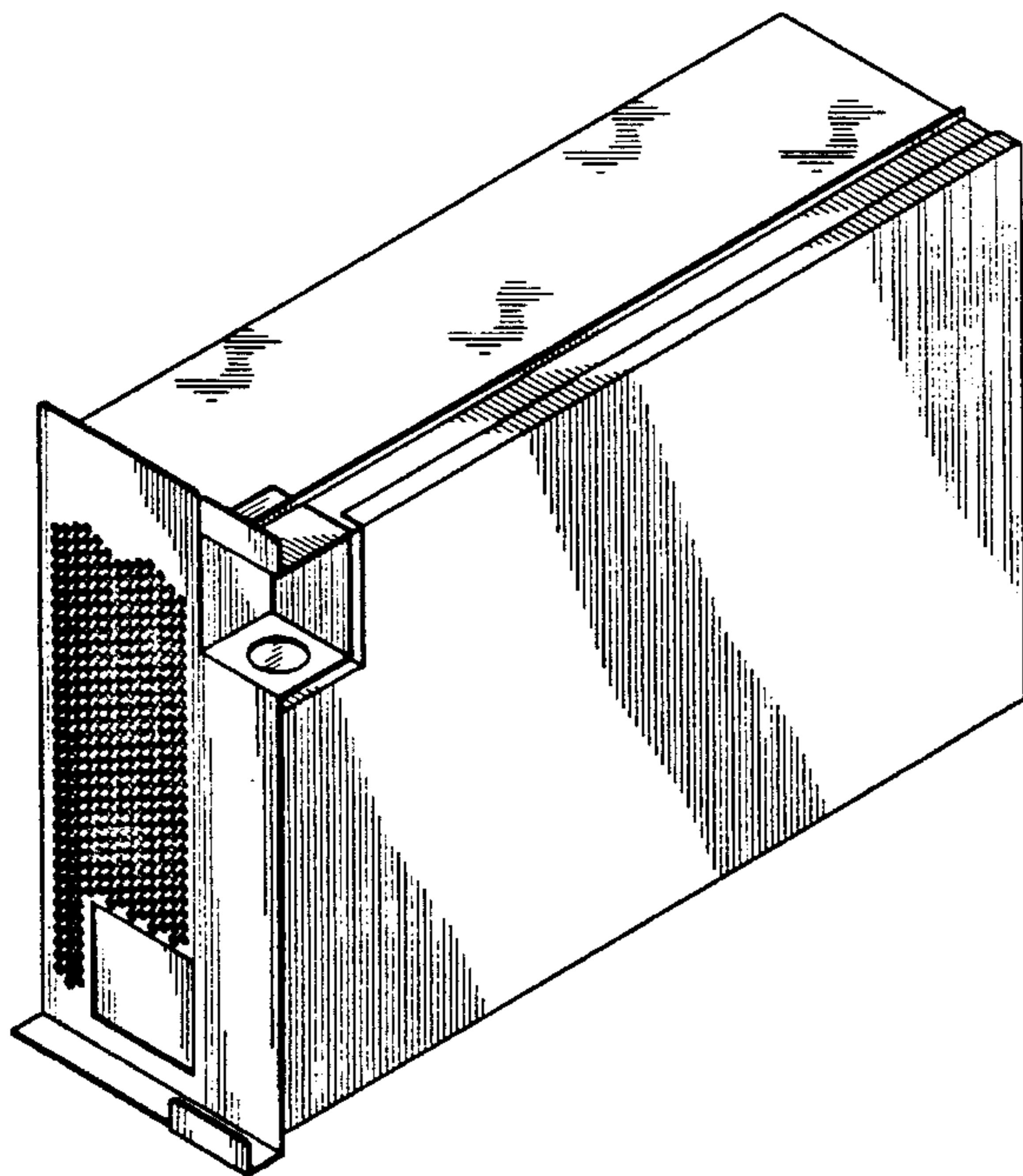


FIG. 1

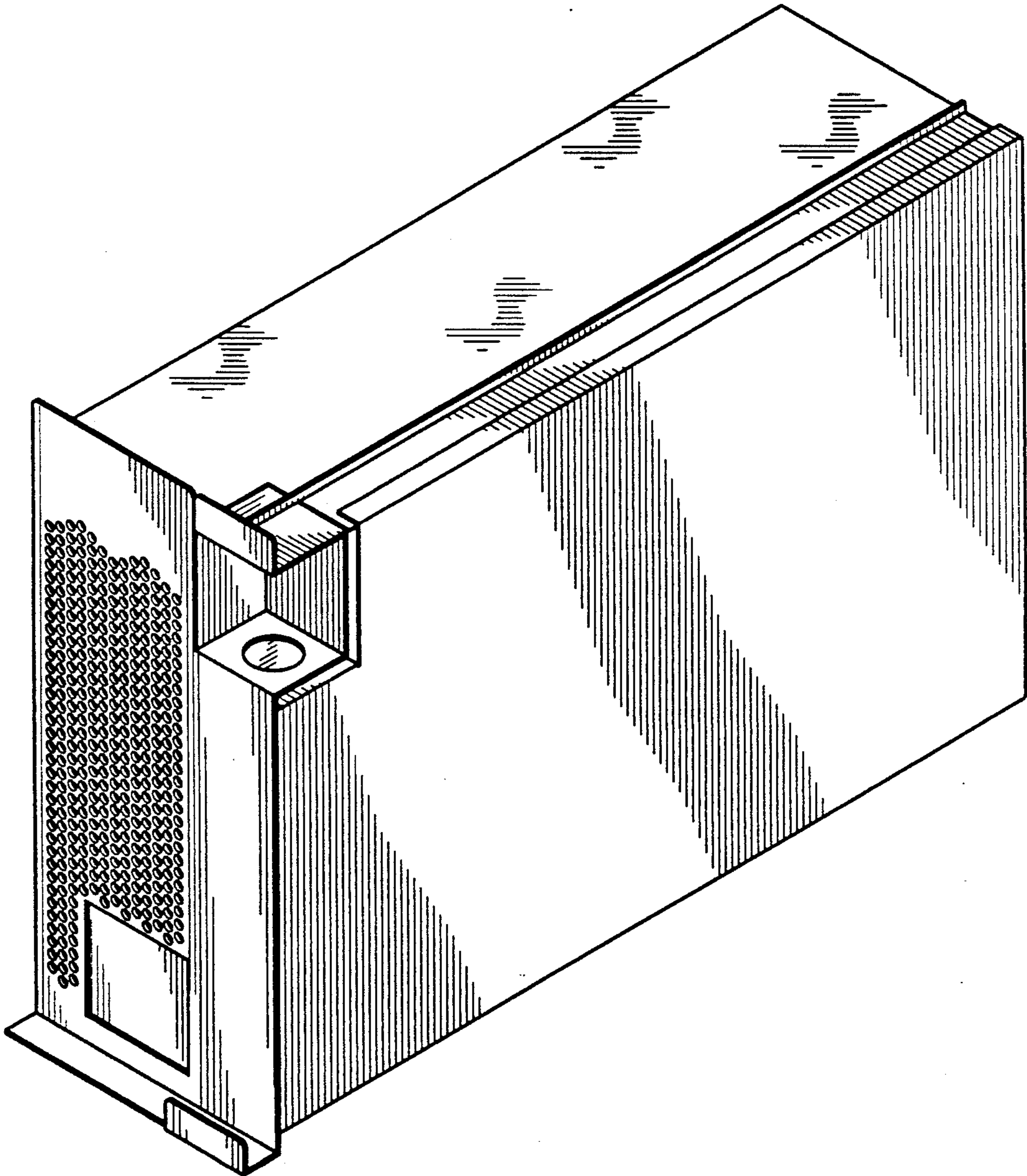


FIG. 3

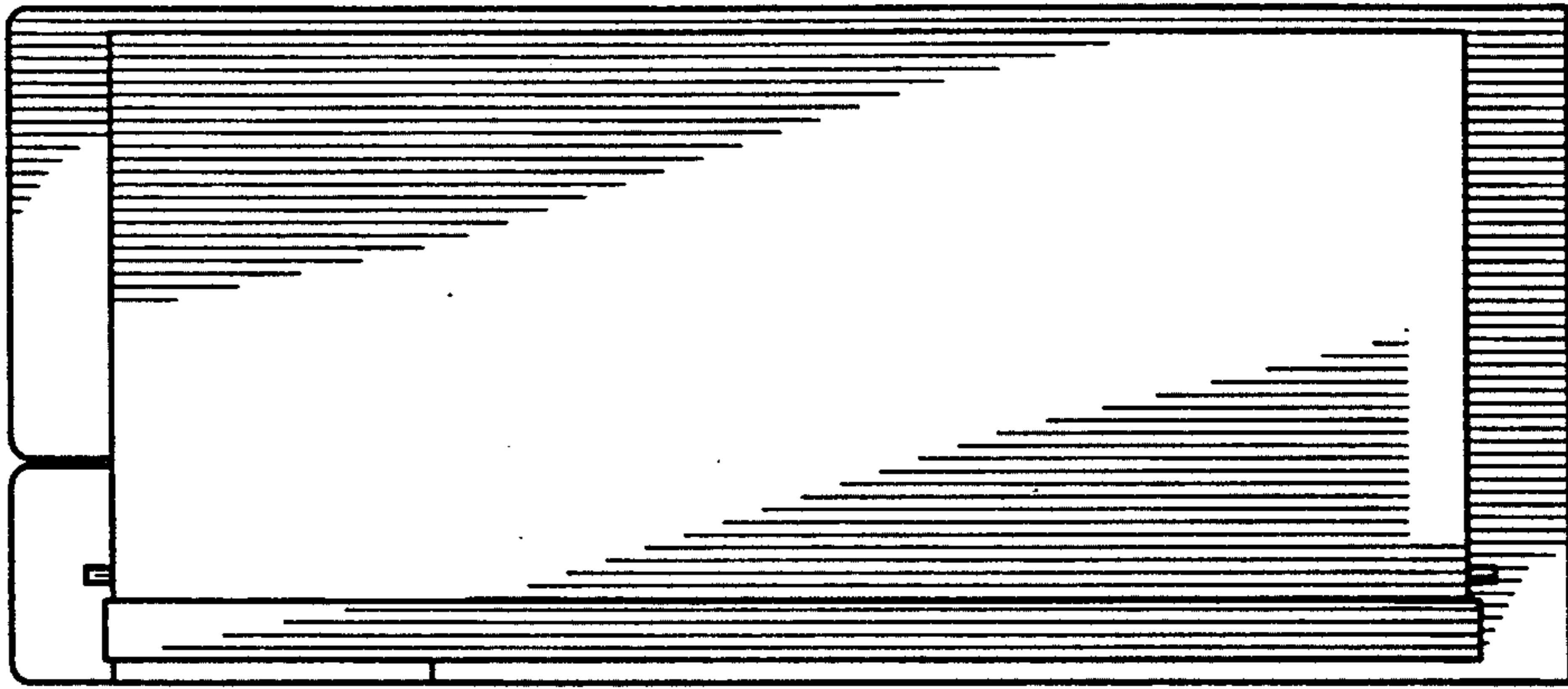
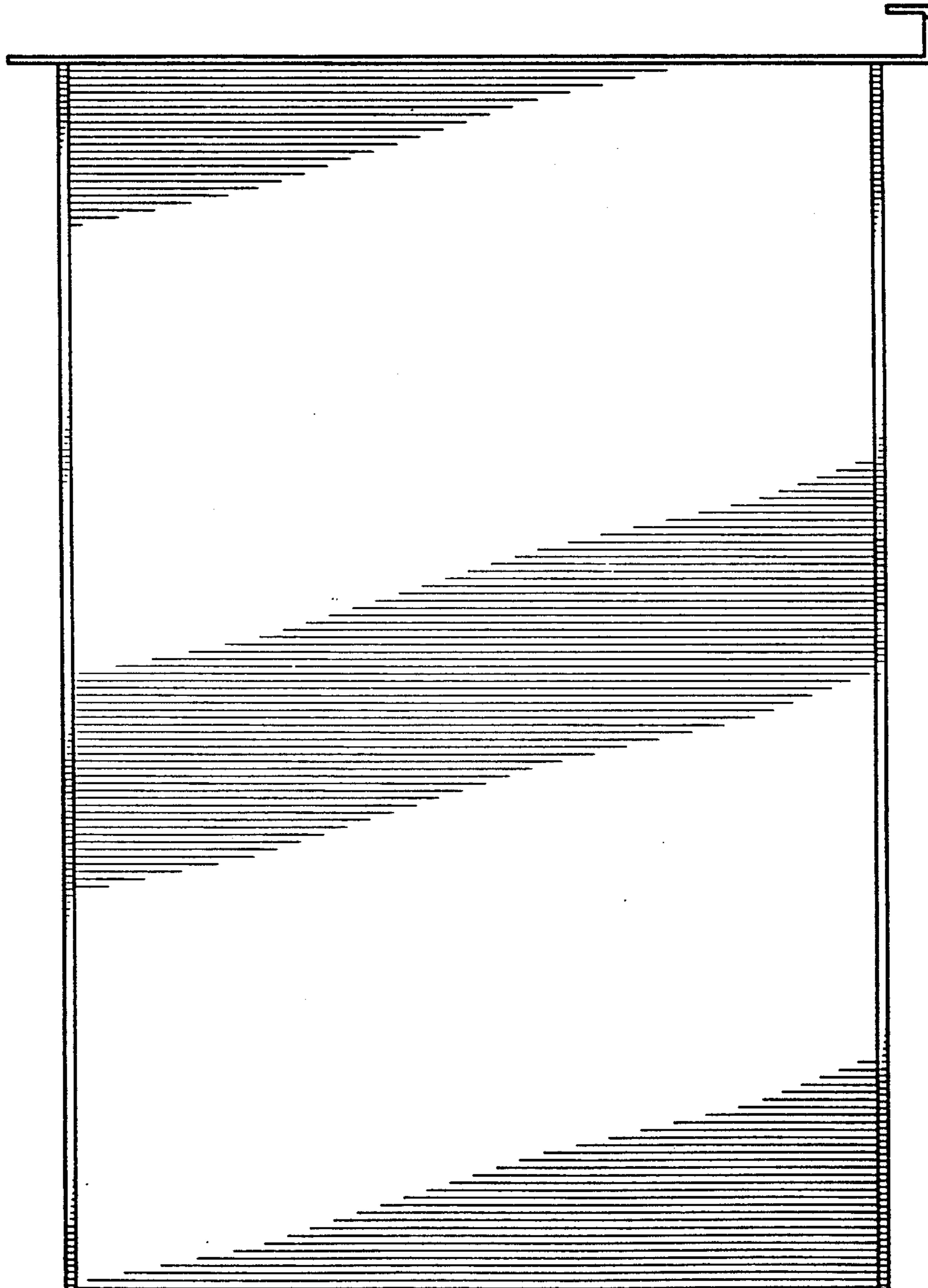


FIG. 2



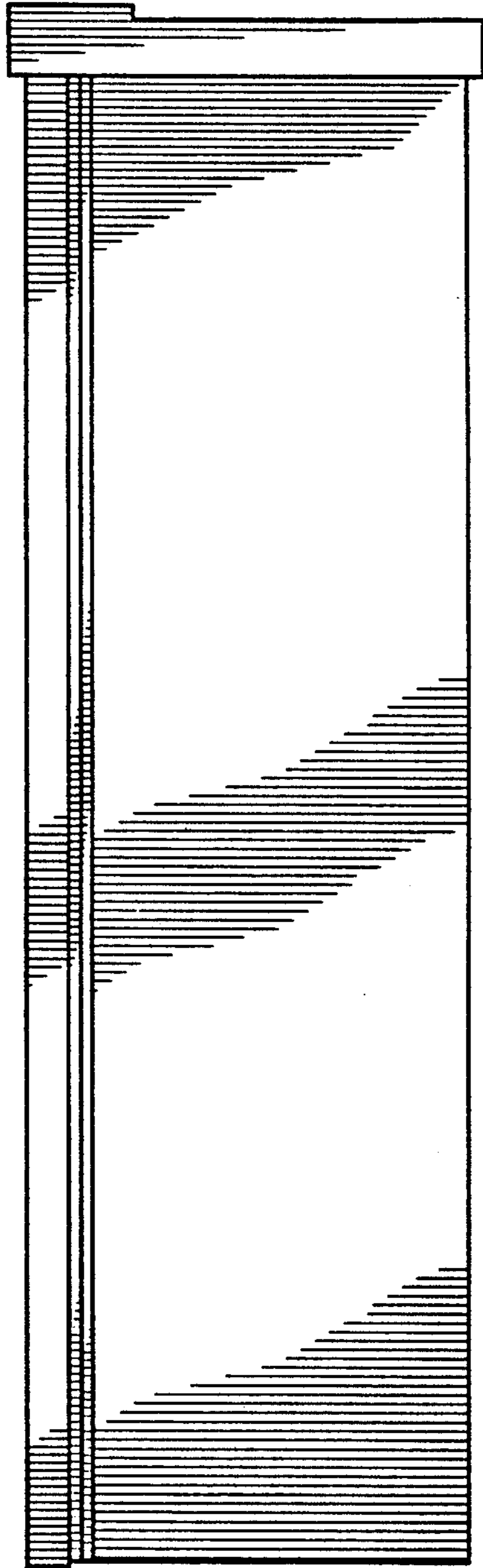


FIG. 4

FIG. 5

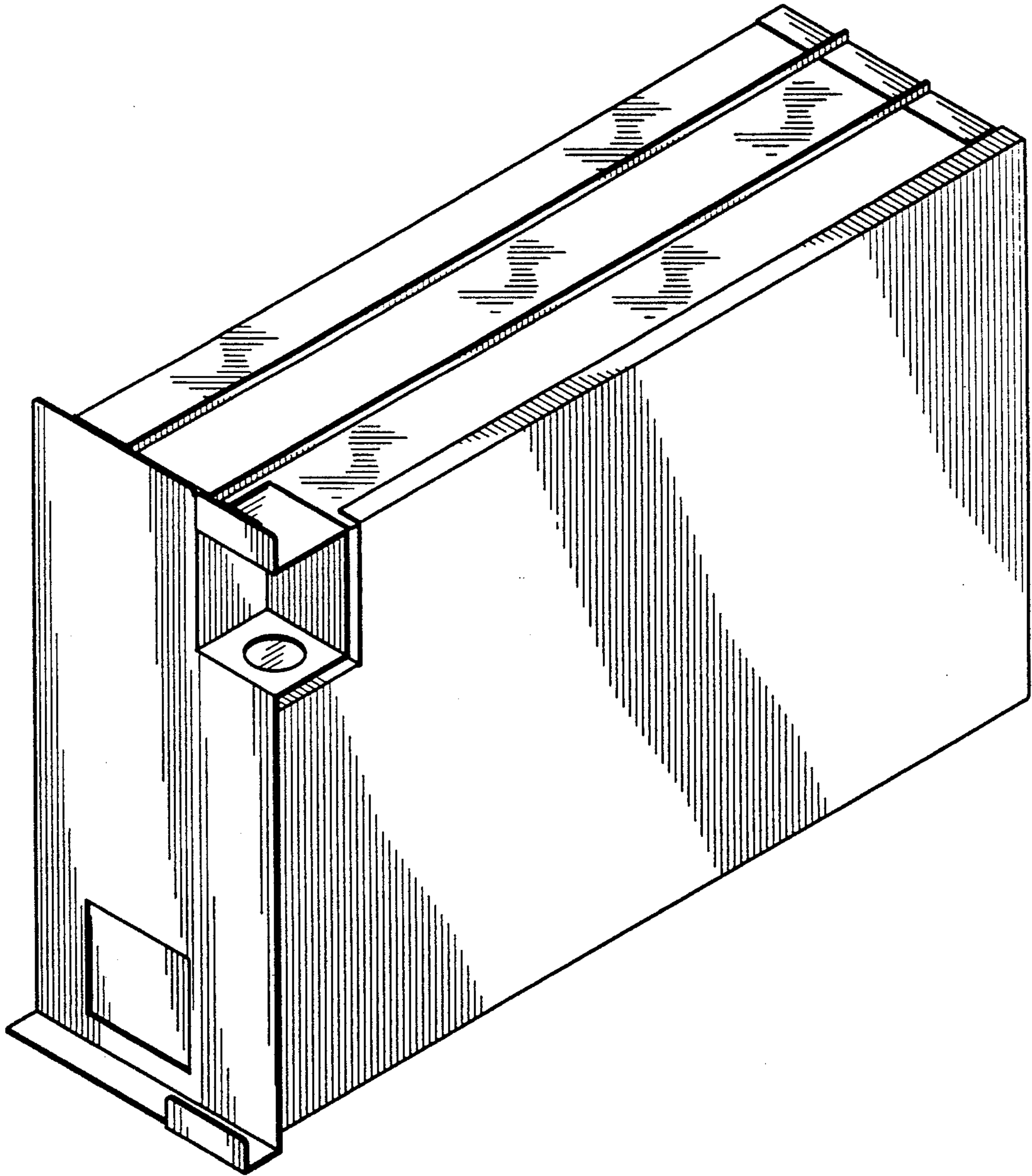


FIG. 10

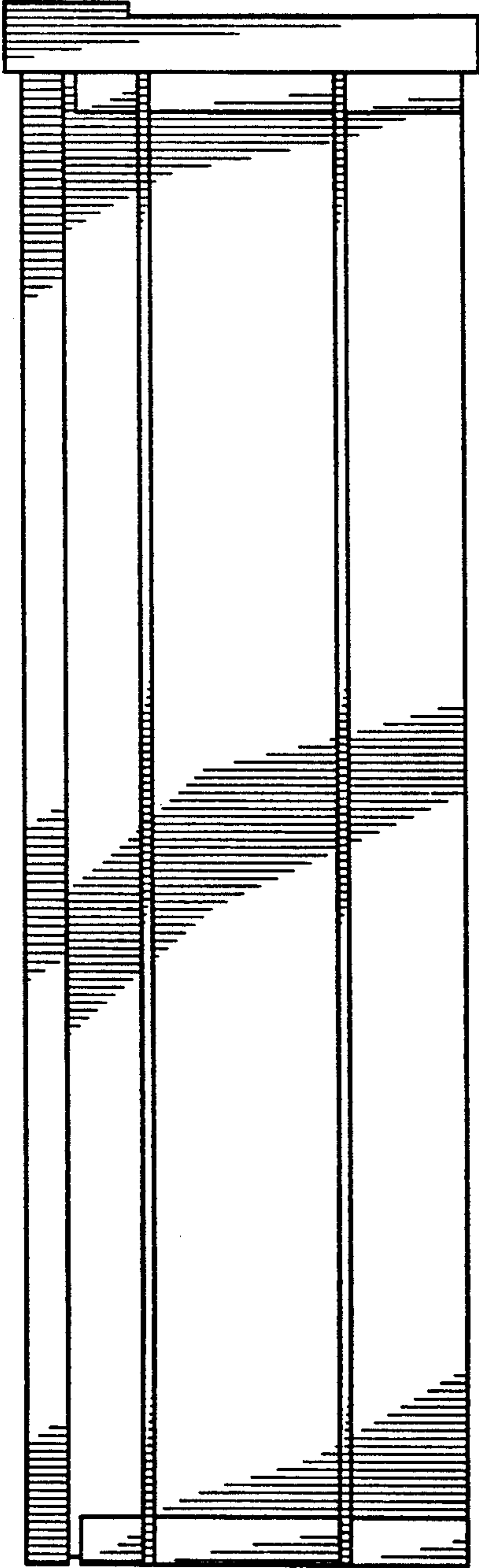
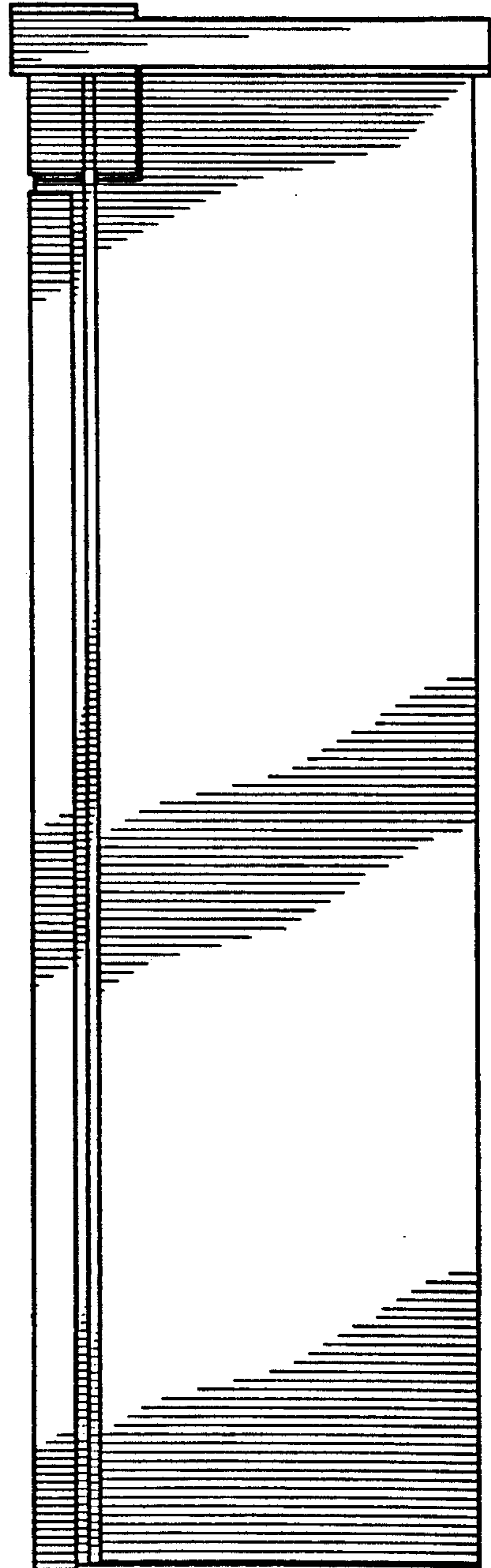


FIG. 6



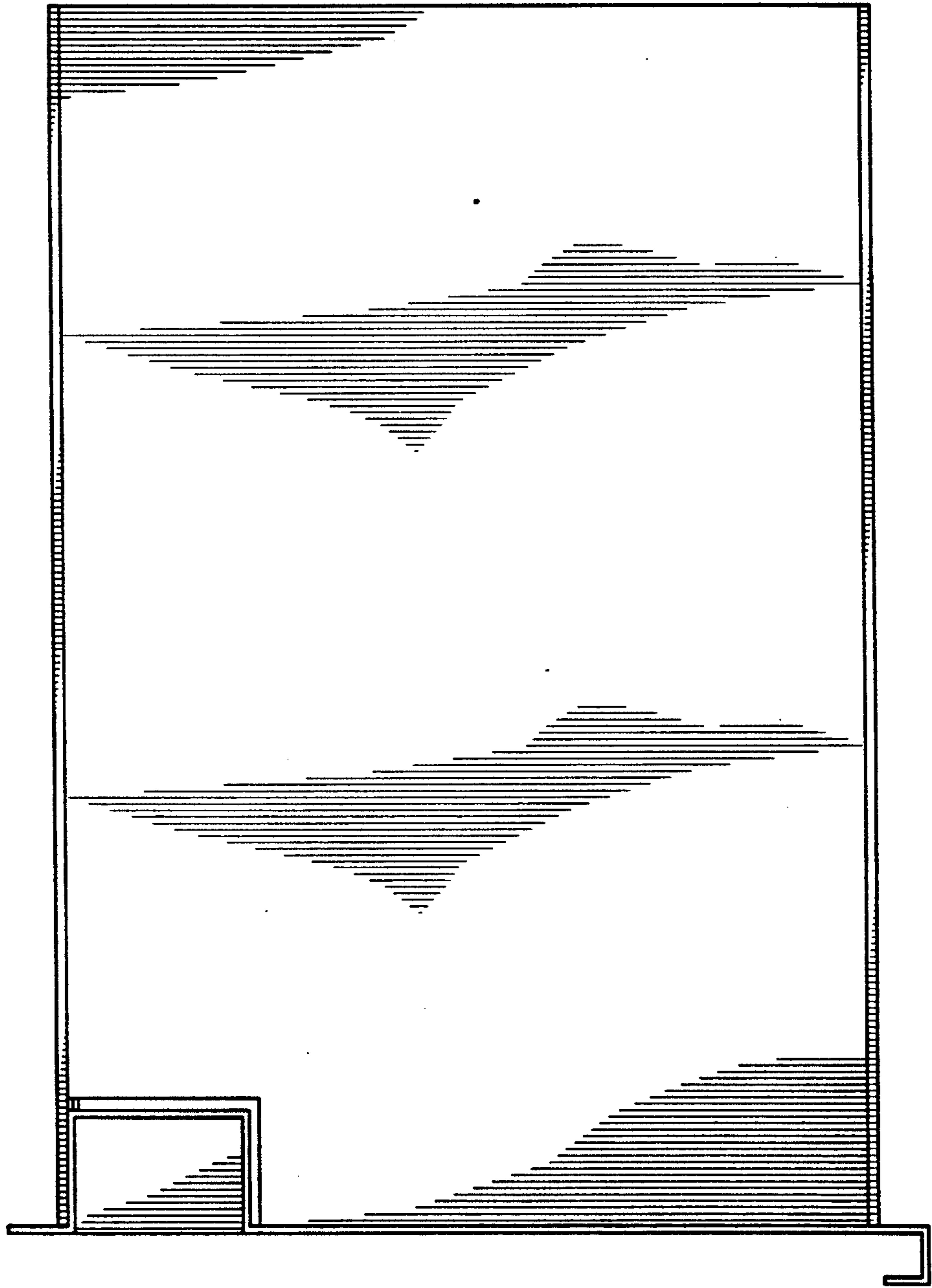


FIG. 7

FIG. 9

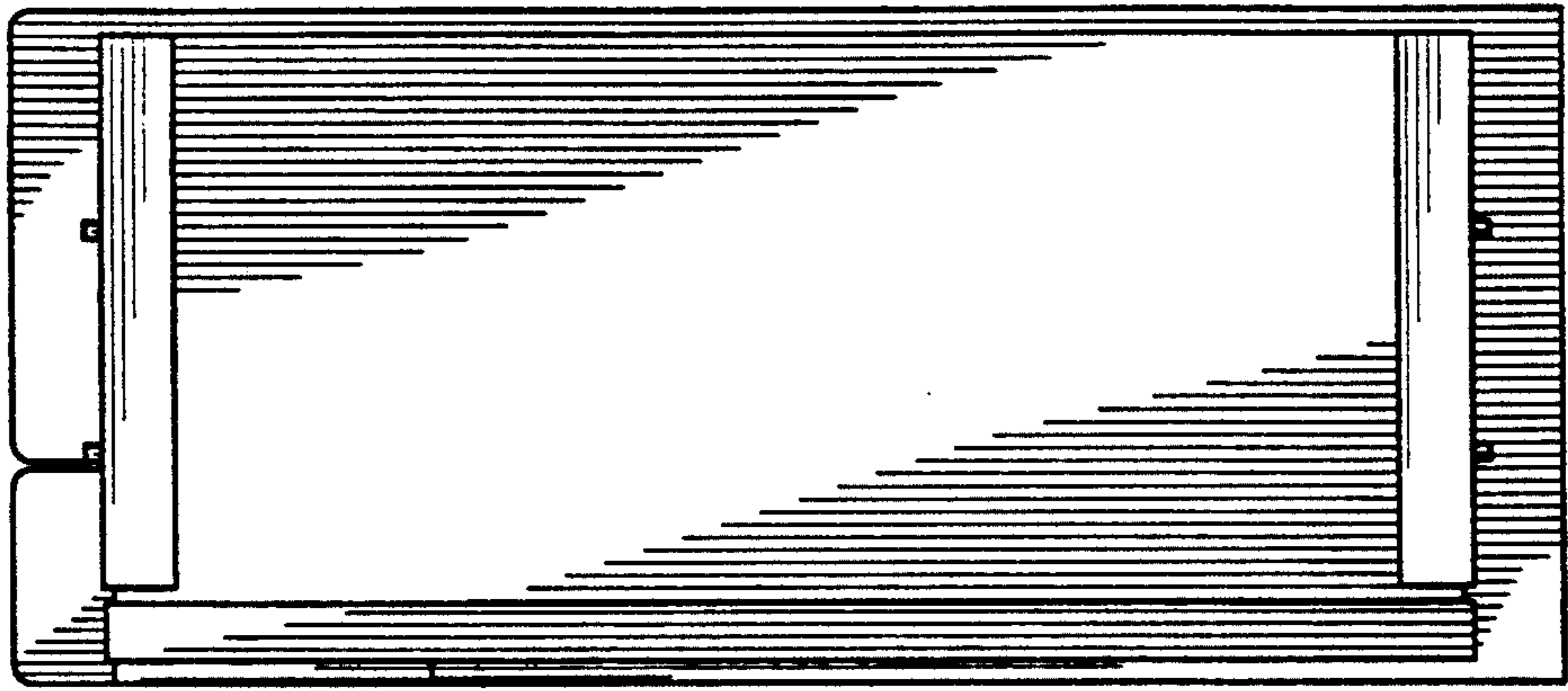


FIG. 8

