



US00D337298S

United States Patent [19]

[11] Patent Number: **Des. 337,298**

Van Wyhe

[45] Date of Patent: **** Jul. 13, 1993**

[54] FARM WAGON FENDER

Attorney, Agent, or Firm—Lawrence M. Nawrocki

[76] Inventor: Steven W. Van Wyhe, R.R. 1, Box 5, Steen, Minn. 55417

[57] CLAIM

The ornamental design for a farm wagon fender, as shown and described.

[**] Term: 14 Years

[21] Appl. No.: 674,045

DESCRIPTION

[22] Filed: Mar. 25, 1991

[52] U.S. Cl. D12/184

[58] Field of Search D12/184, 186; D15/28, D15/83; 280/847, 848

FIG. 1 is a perspective view of a farm wagon fender showing my new design it being understood that the broken lines are for illustrative purposes only and form no part of the claimed design;

FIG. 2 is a top plan view thereof on a reduced scale;

FIG. 3 is a right side elevational view thereof on a reduced scale;

FIG. 4 is a rear elevational view thereof on a reduced scale;

FIG. 5 is a front elevational view thereof on a reduced scale; and,

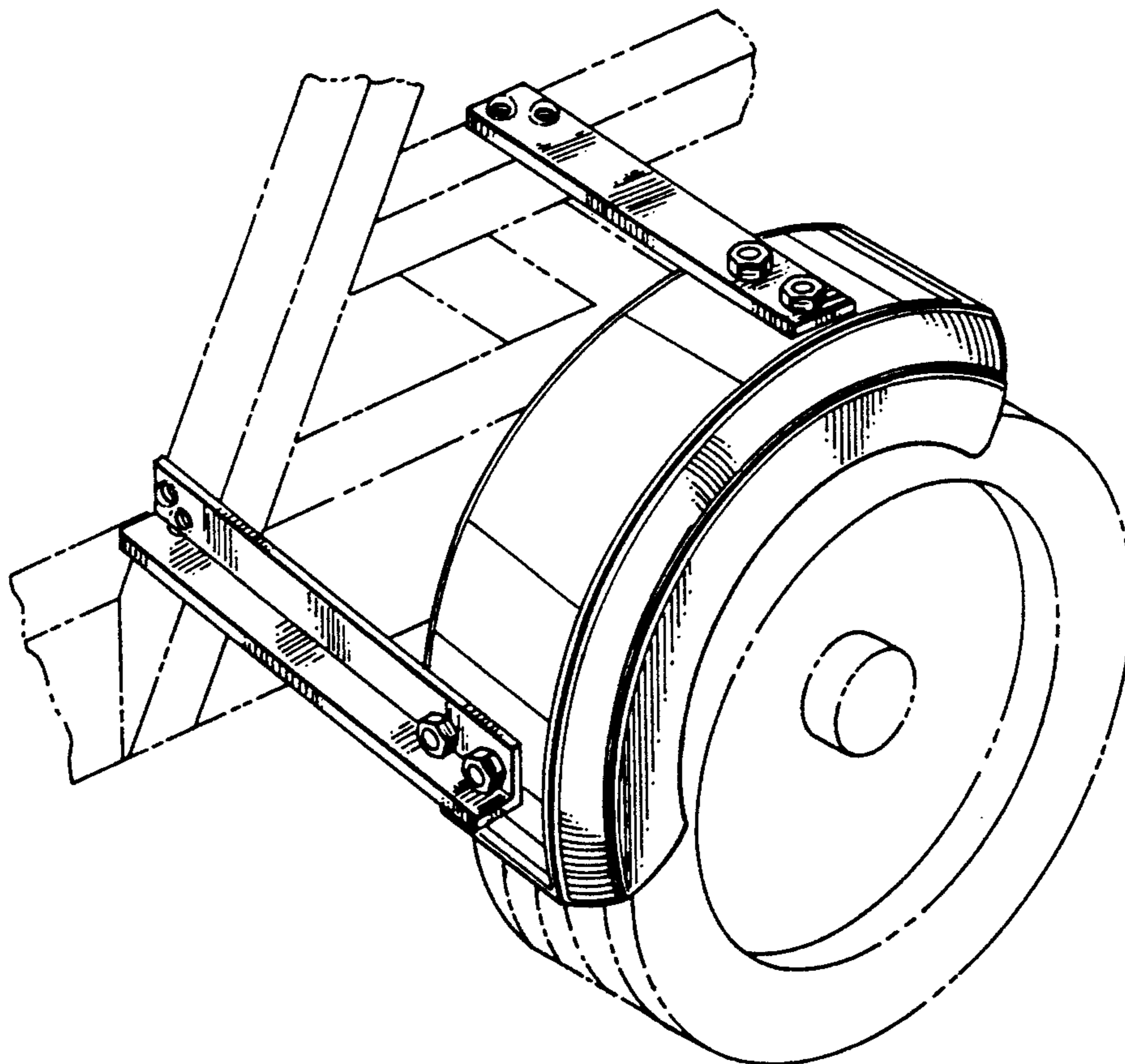
FIG. 6 is a bottom plan view thereof on a reduced scale.

[56] References Cited

U.S. PATENT DOCUMENTS

D. 252,989 9/1979 Barker D12/184
5,074,573 12/1991 Dick 280/847

Primary Examiner—James M. Gandy



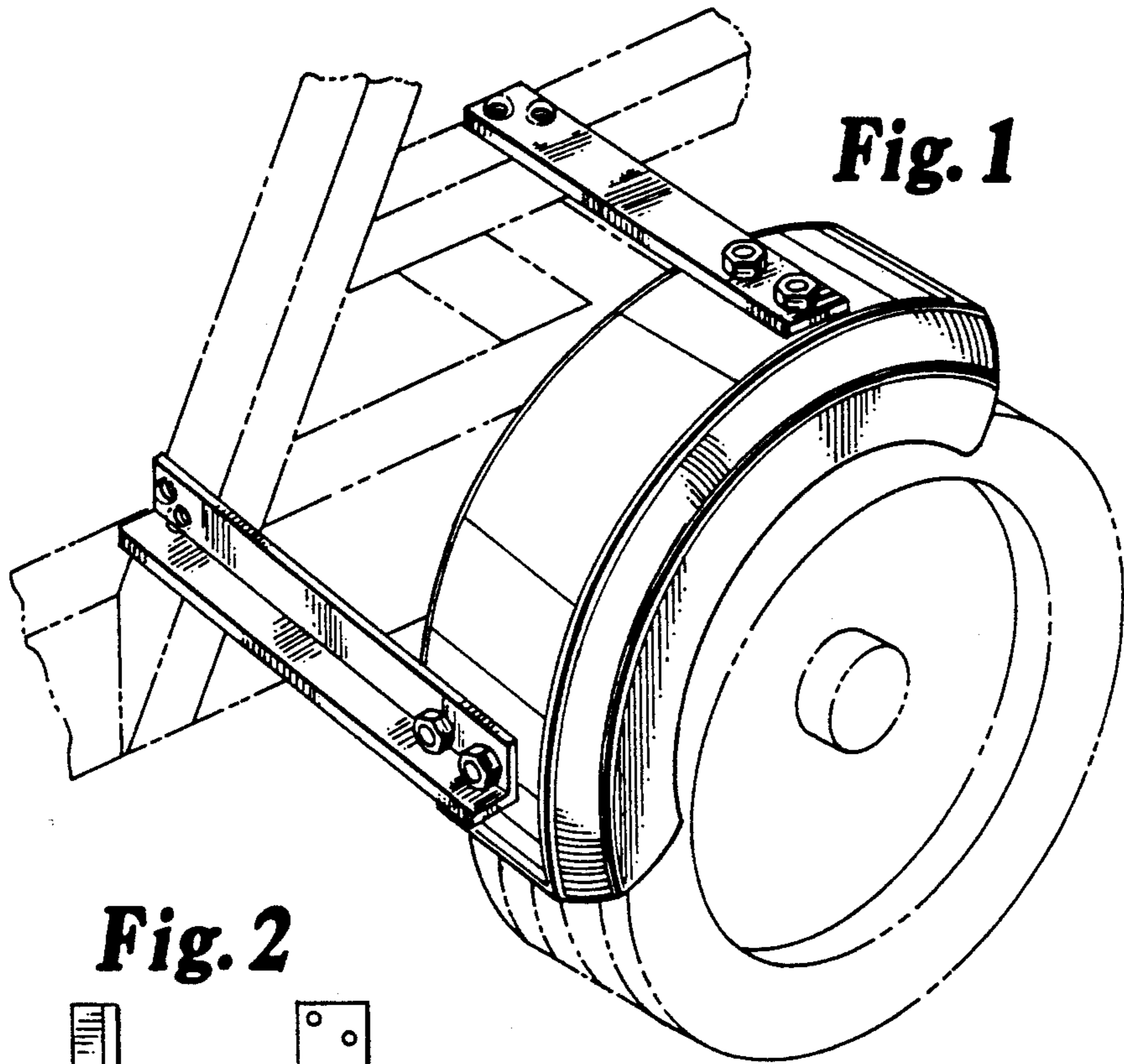


Fig. 2

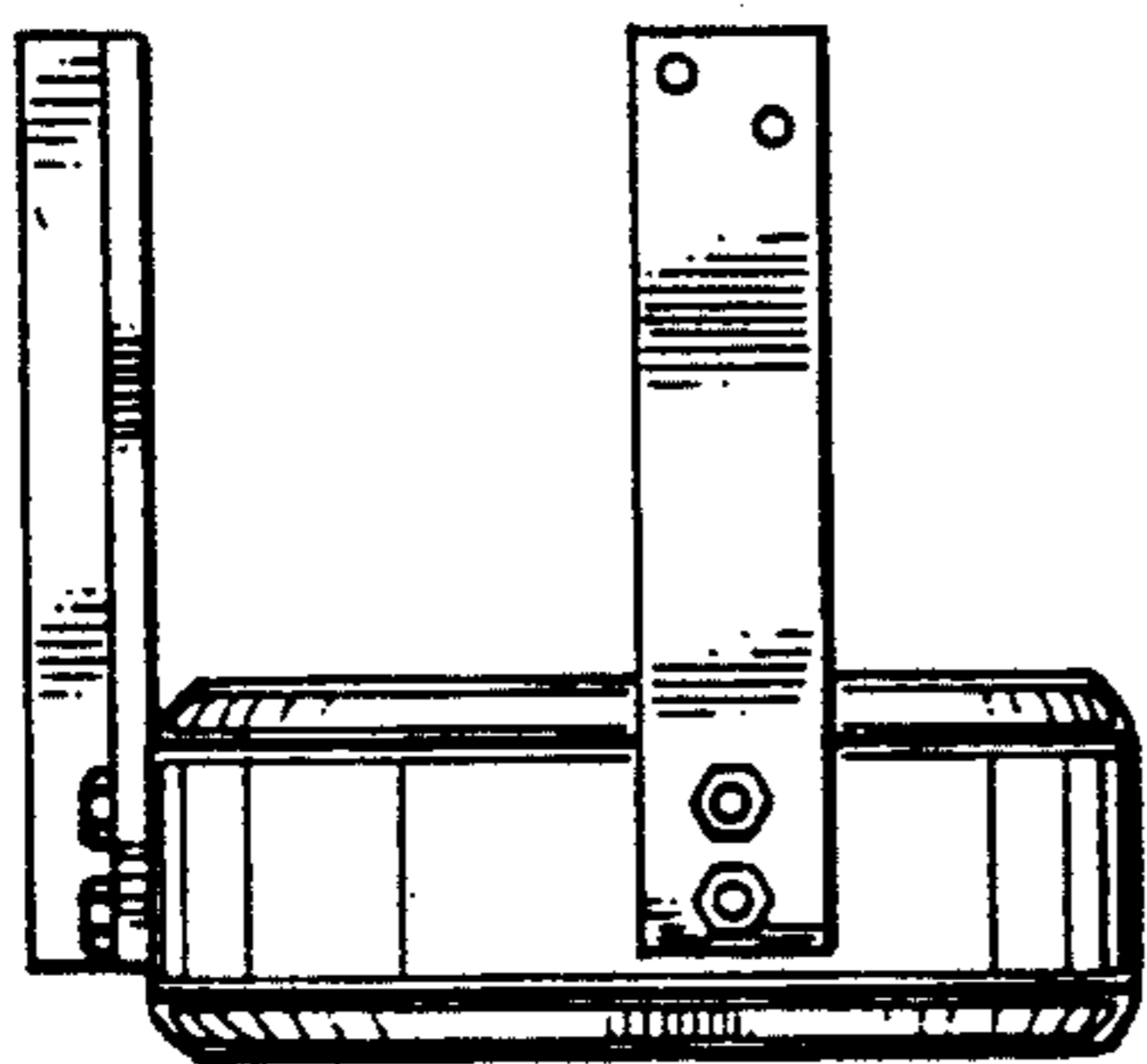


Fig. 3

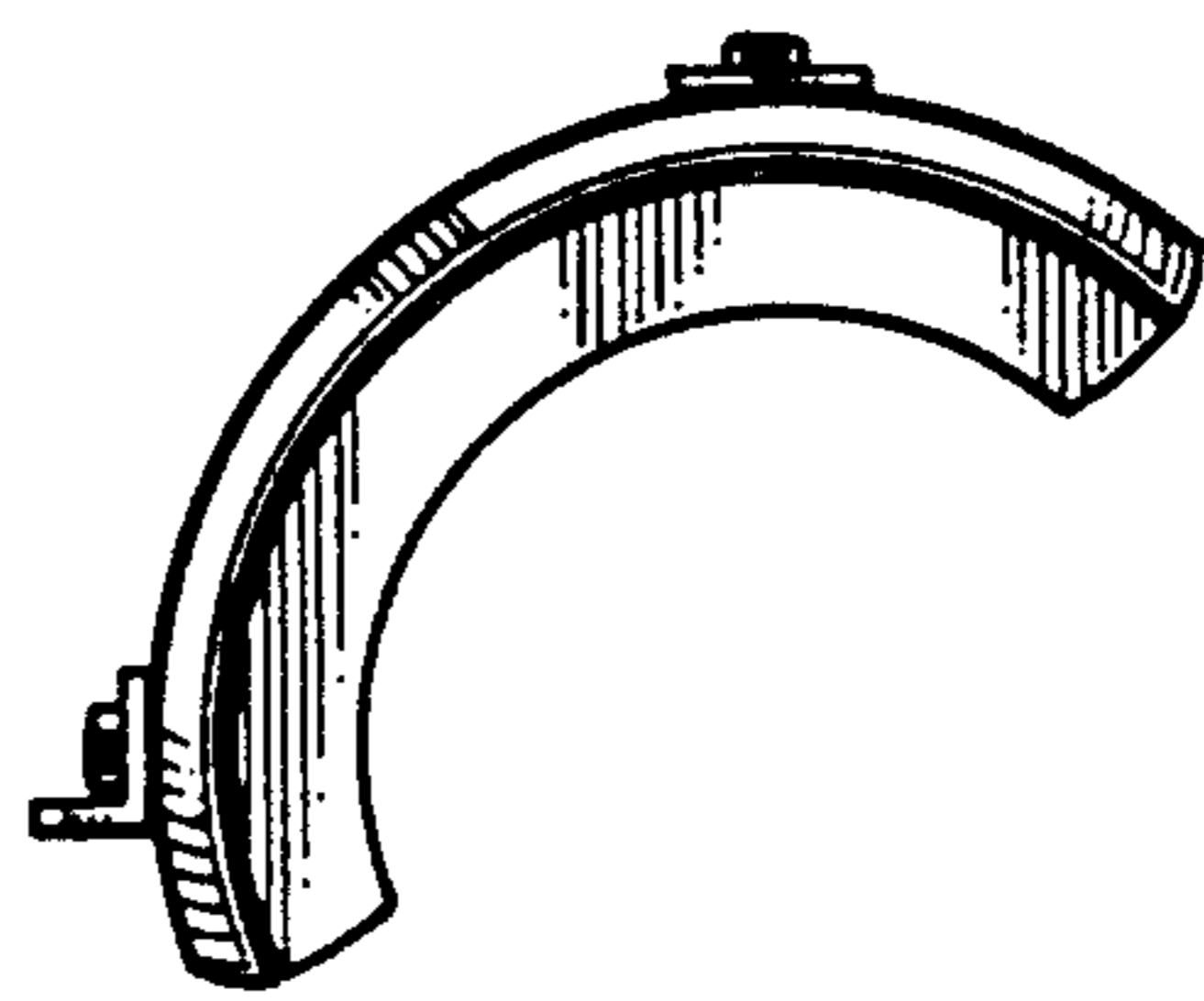


Fig. 5

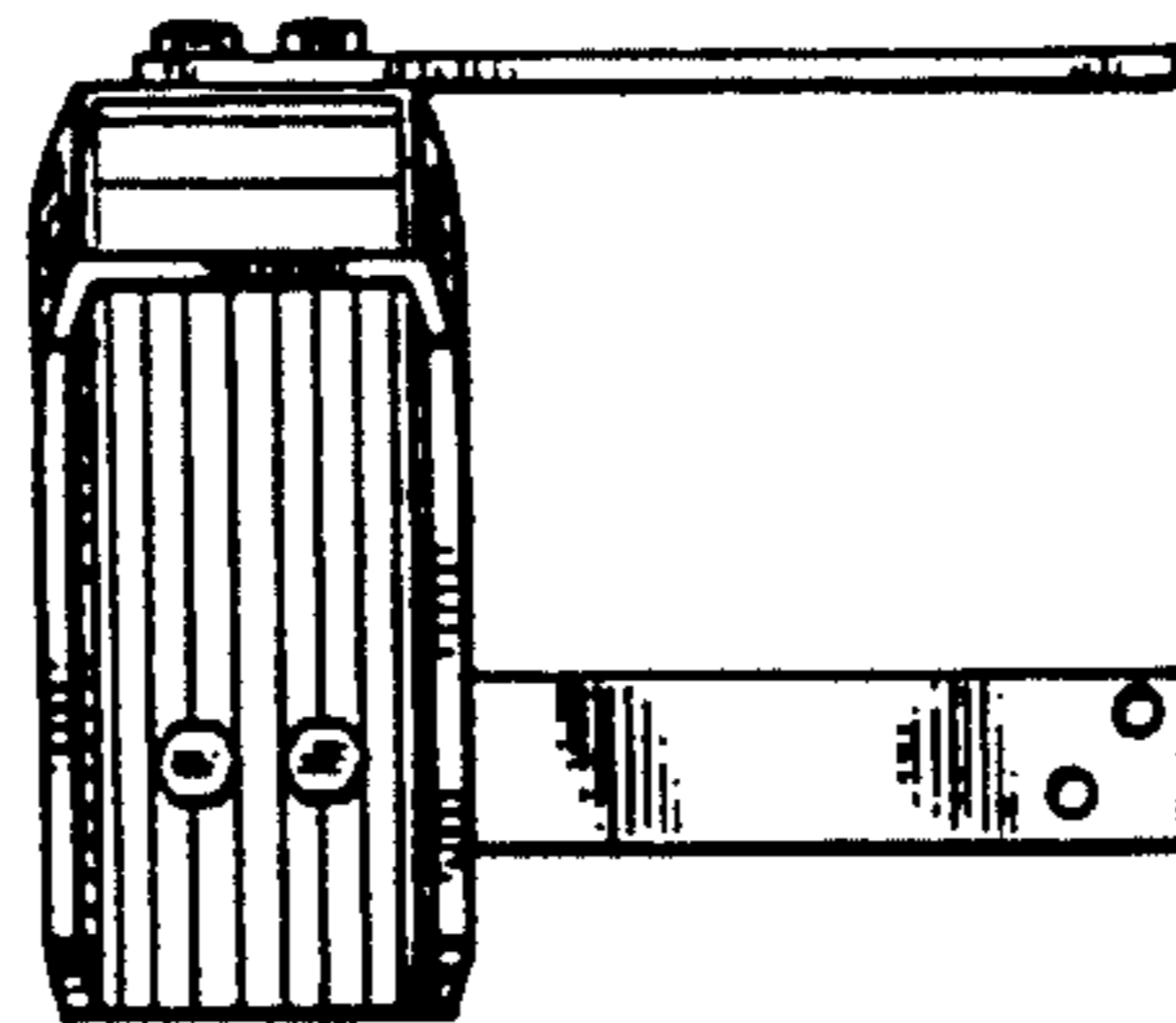


Fig. 4

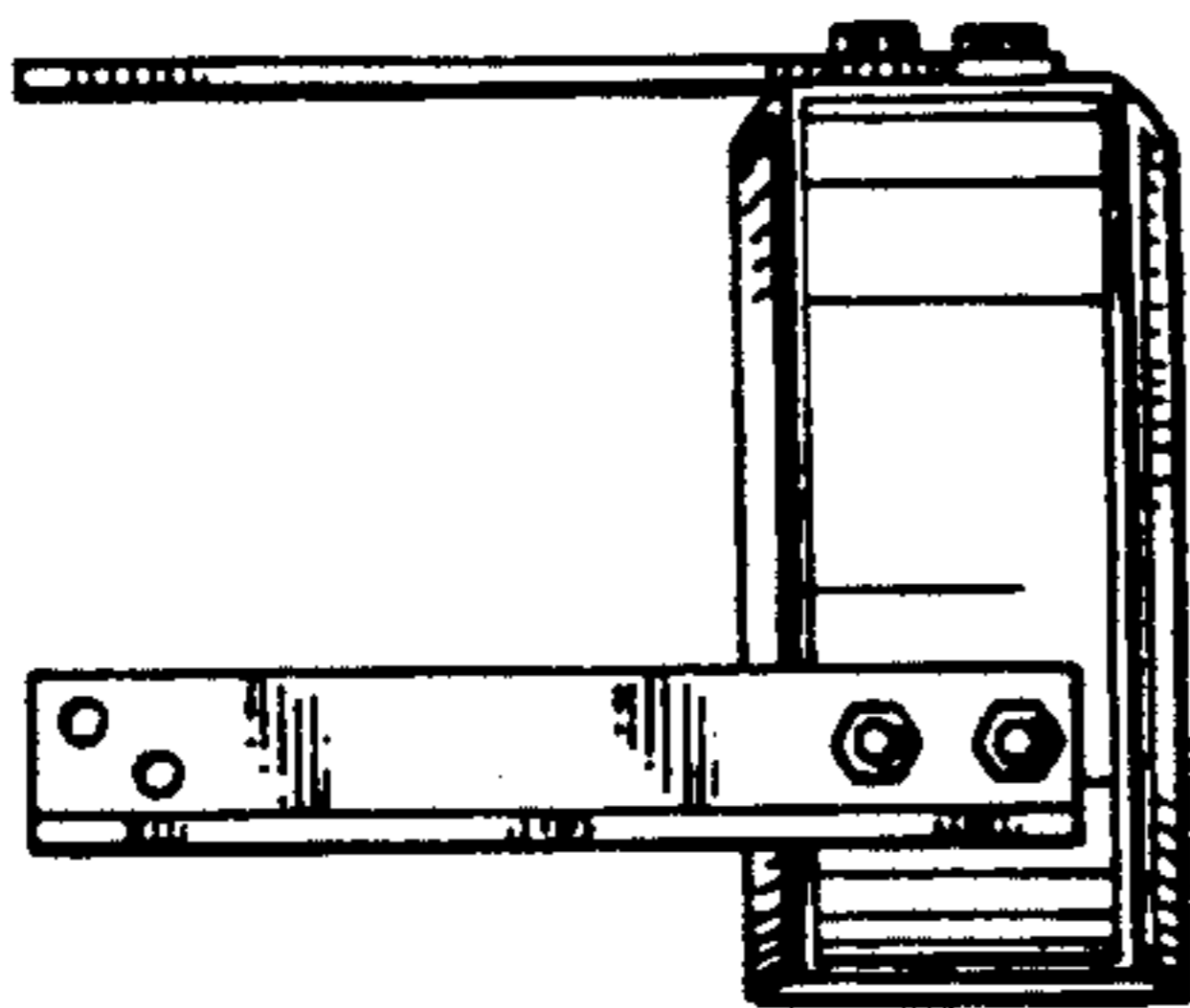


Fig. 6

