



US00D337295S

United States Patent [19]

[11] Patent Number: **Des. 337,295**

Steinke et al.

[45] Date of Patent: **** Jul. 13, 1993**

[54] **DISC BRAKE SHIM**

[75] Inventors: **Gustav J. Steinke; Starla D. Huffer,**
both of Lima, Ohio

[73] Assignee: **International Brake Industries, Inc.,**
Lima, Ohio

[**] Term: **14 Years**

[21] Appl. No.: **798,691**

[22] Filed: **Nov. 26, 1991**

[52] U.S. Cl. **D12/180**

[58] Field of Search **D12/180; 180/73.1, 250 B**

4,846,312 7/1989 Sweetmore et al. 188/73.1
 4,926,978 5/1990 Shibata et al. 188/73.1
 5,129,487 7/1992 Kobayashi et al. 188/73.1

Primary Examiner—Wallace R. Burke
Assistant Examiner—Melody Brown
Attorney, Agent, or Firm—Edgar A. Zarins; Malcolm L. Sutherland

[57] CLAIM

The ornamental design for a disc brake shim, as shown.

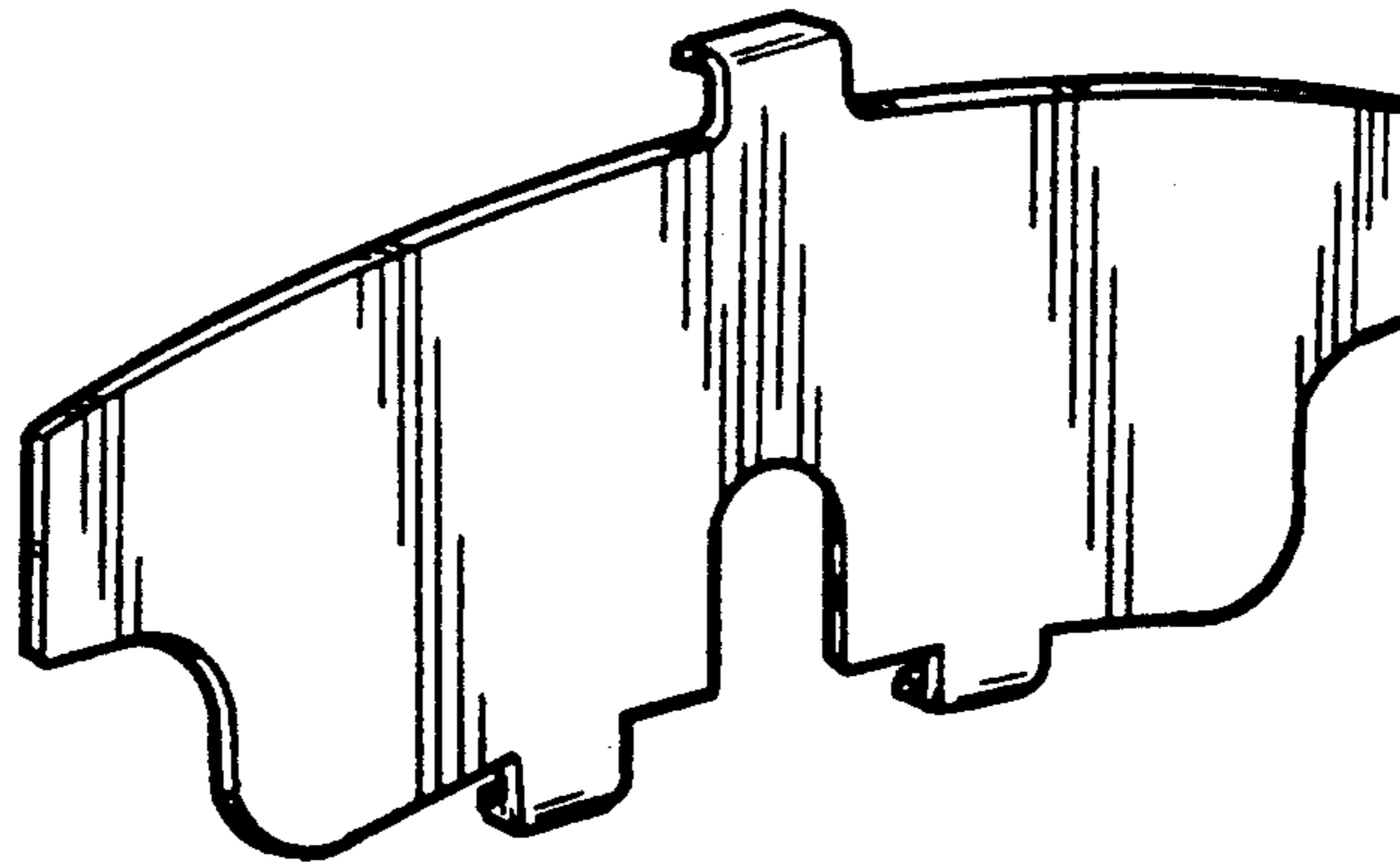
DESCRIPTION

FIG. 1 is an elevated perspective of a disc brake shim showing our new design;
 FIG. 2 is a left side elevational view thereof;
 FIG. 3 is a front elevational view thereof;
 FIG. 4 is a top plan view thereof;
 FIG. 5 is a right side elevational view thereof;
 FIG. 6 is a rear elevational view thereof; and,
 FIG. 7 is a bottom plan view thereof.

[56] References Cited

U.S. PATENT DOCUMENTS

4,220,223 9/1980 Rinker et al. 188/73.1
 4,230,207 10/1980 Stahl 188/73.1
 4,836,339 6/1989 Kobayashi et al. 188/73.1



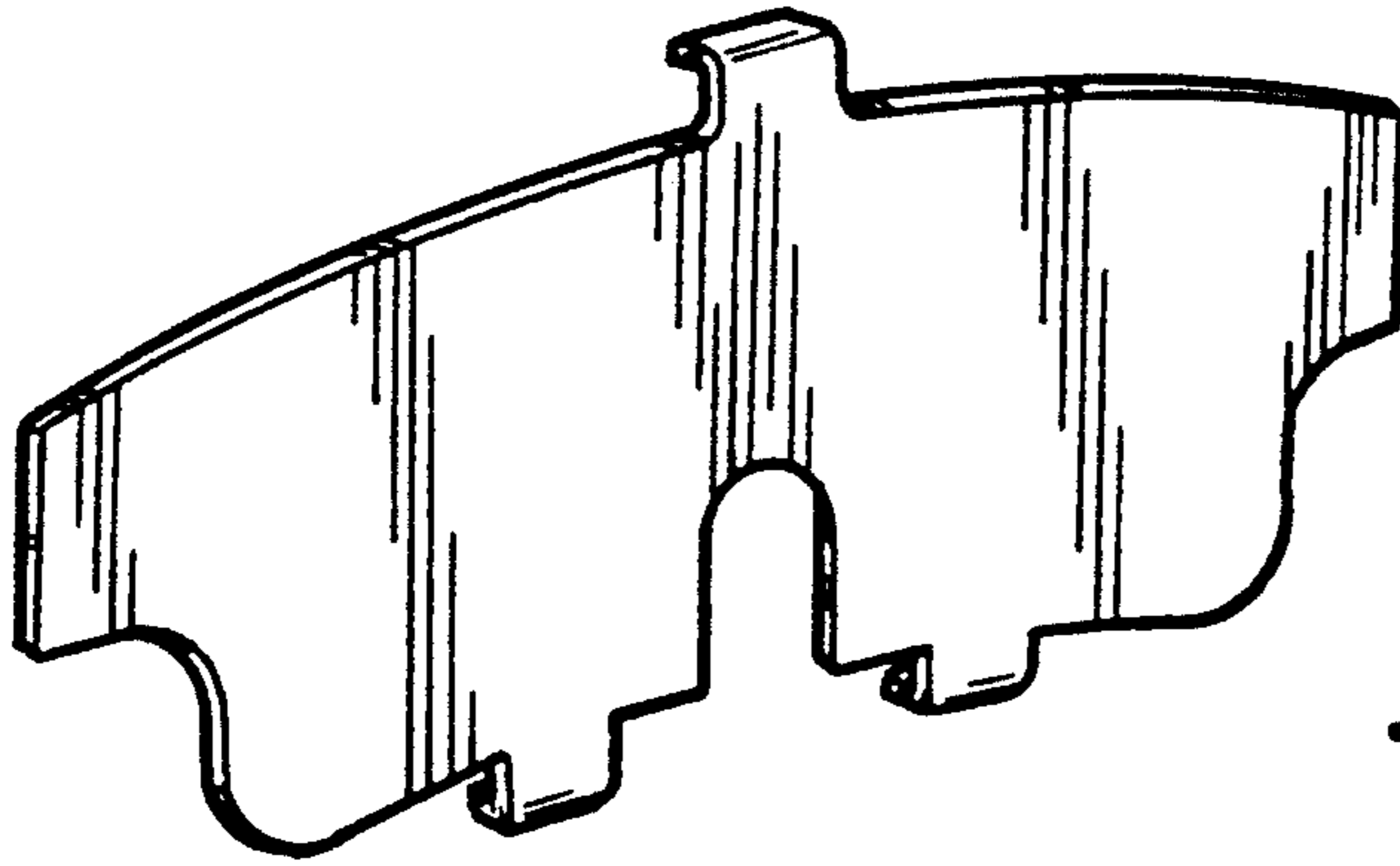


Fig-1

Fig-2

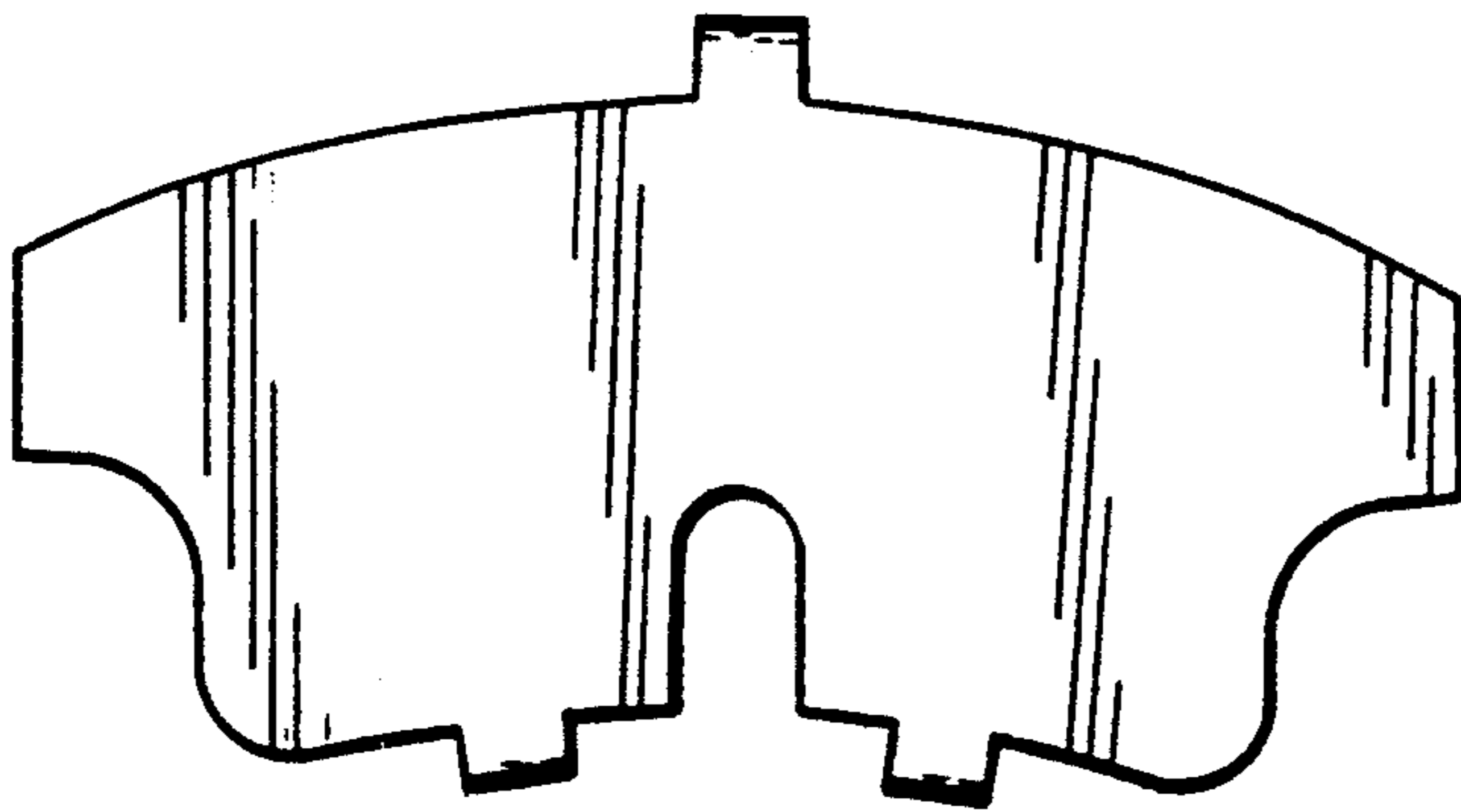


Fig-3



Fig-4

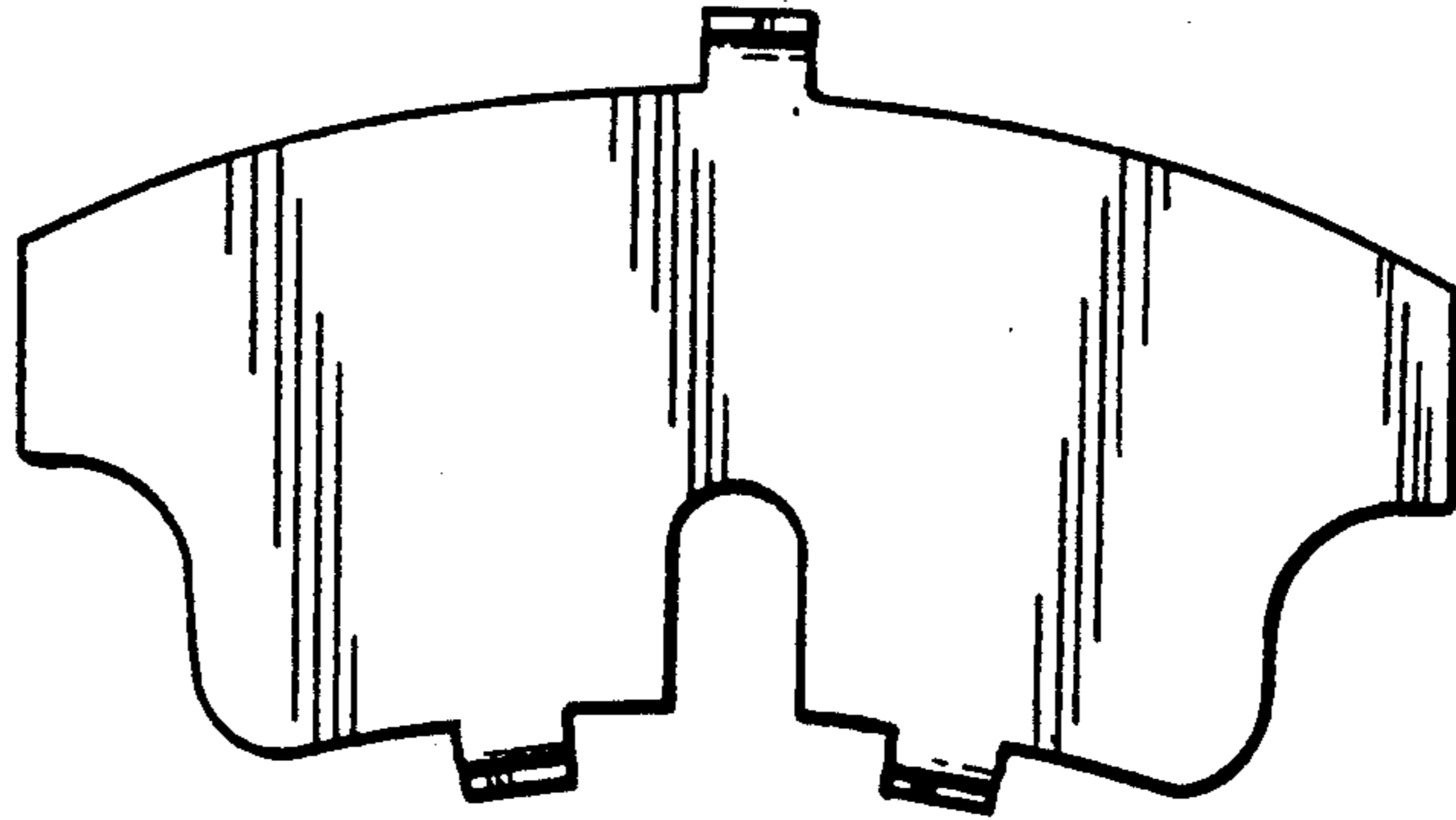


Fig-5



Fig-6



Fig-7