



US00D337292S

United States Patent [19]

[11] Patent Number: **Des. 337,292**

Carda

[45] Date of Patent: **** Jul. 13, 1993**

[54] TELESCOPING TRACTOR TRAILER HITCH

[76] Inventor: **John A. Carda**, HCR1 - Box 43,
Chelsea, S. Dak. 57465

[**] Term: **14 Years**

[21] Appl. No.: **559,565**

[22] Filed: **Jul. 27, 1990**

[52] U.S. Cl. **D12/162; D15/28**

[58] Field of Search **D15/10, 11, 27, 28;
D12/162; 280/405, 415, 423, 491.1-491.2**

[56] References Cited

U.S. PATENT DOCUMENTS

D. 230,777	10/1991	Goettker	D12/162
D. 244,192	5/1977	Murray	D12/162
D. 245,606	8/1977	Williams	D12/162
D. 317,426	6/1991	Lytle	D12/162
2,873,981	2/1959	Grant et al.	D12/162
3,011,800	12/1961	Mitsuyasu	D12/162
4,317,580	3/1982	Scarnato et al.	280/415.1

OTHER PUBLICATIONS

Implement & Tractor May 7, 1977, Tractor Hitch, top right.

Primary Examiner—B. J. Bullock
Assistant Examiner—Sandra Morris
Attorney, Agent, or Firm—Leon Gilden

[57] CLAIM

The ornamental design for a telescoping tractor trailer hitch, as shown and described.

DESCRIPTION

FIG. 1 is a front elevational view of the telescoping tractor trailer hitch showing my new design; FIG. 2 is a rear elevational view thereof; FIG. 3 is a left side elevational view thereof; FIG. 4 is a right side elevational view thereof; FIG. 5 is a top plan view thereof; FIG. 6 is a bottom plan view thereof; and, FIG. 7 is a perspective view thereof.

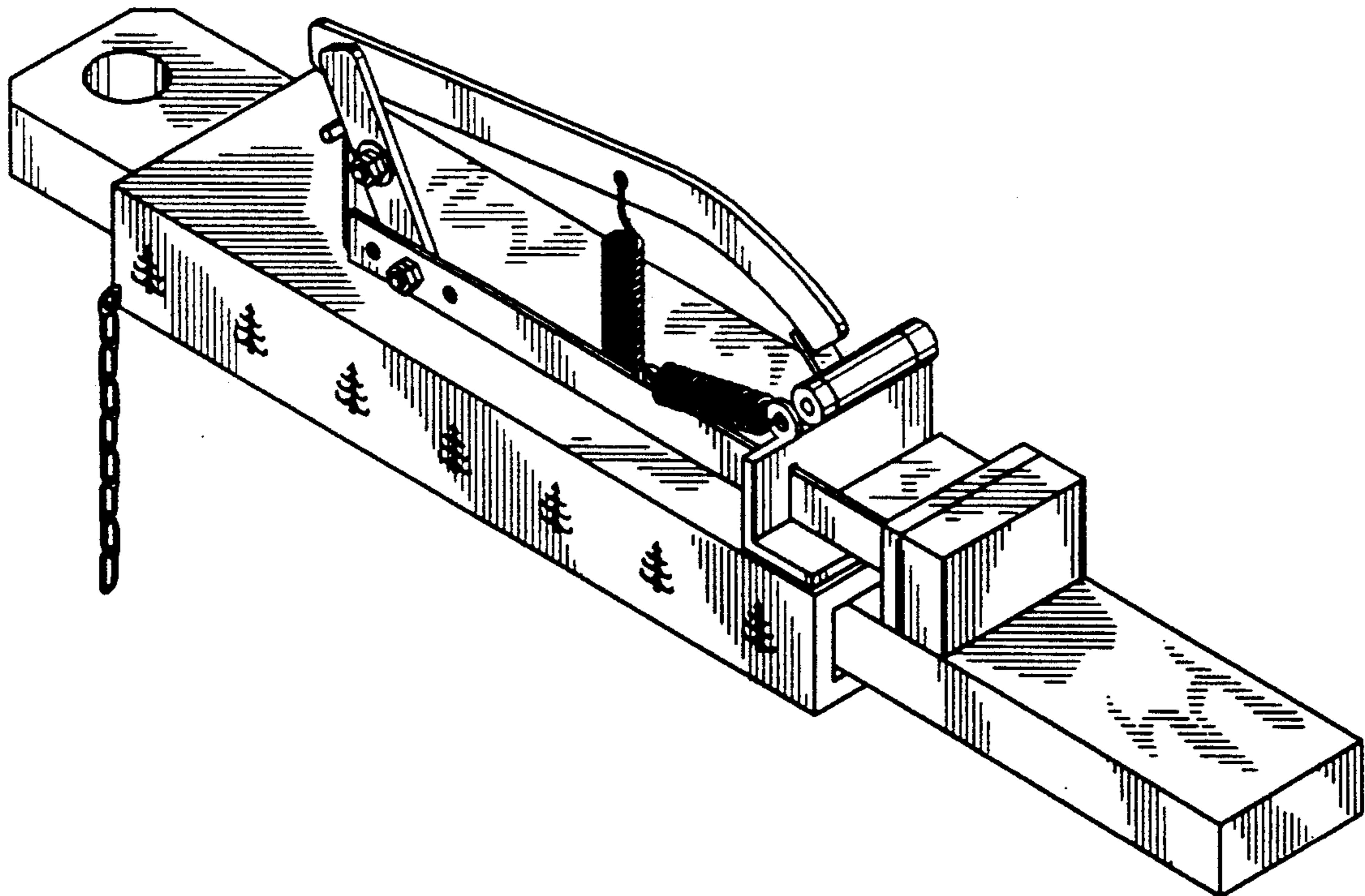


FIG. 1

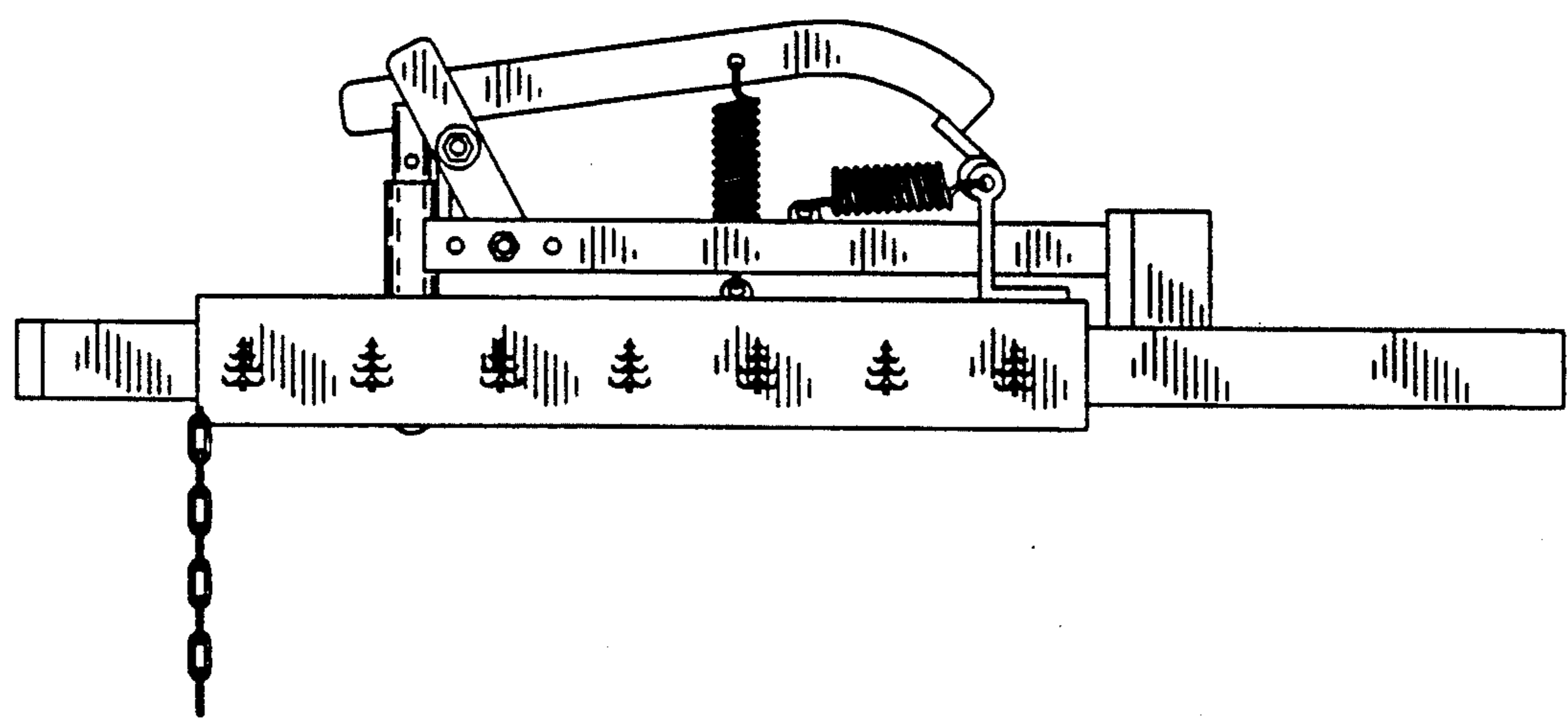


FIG. 2

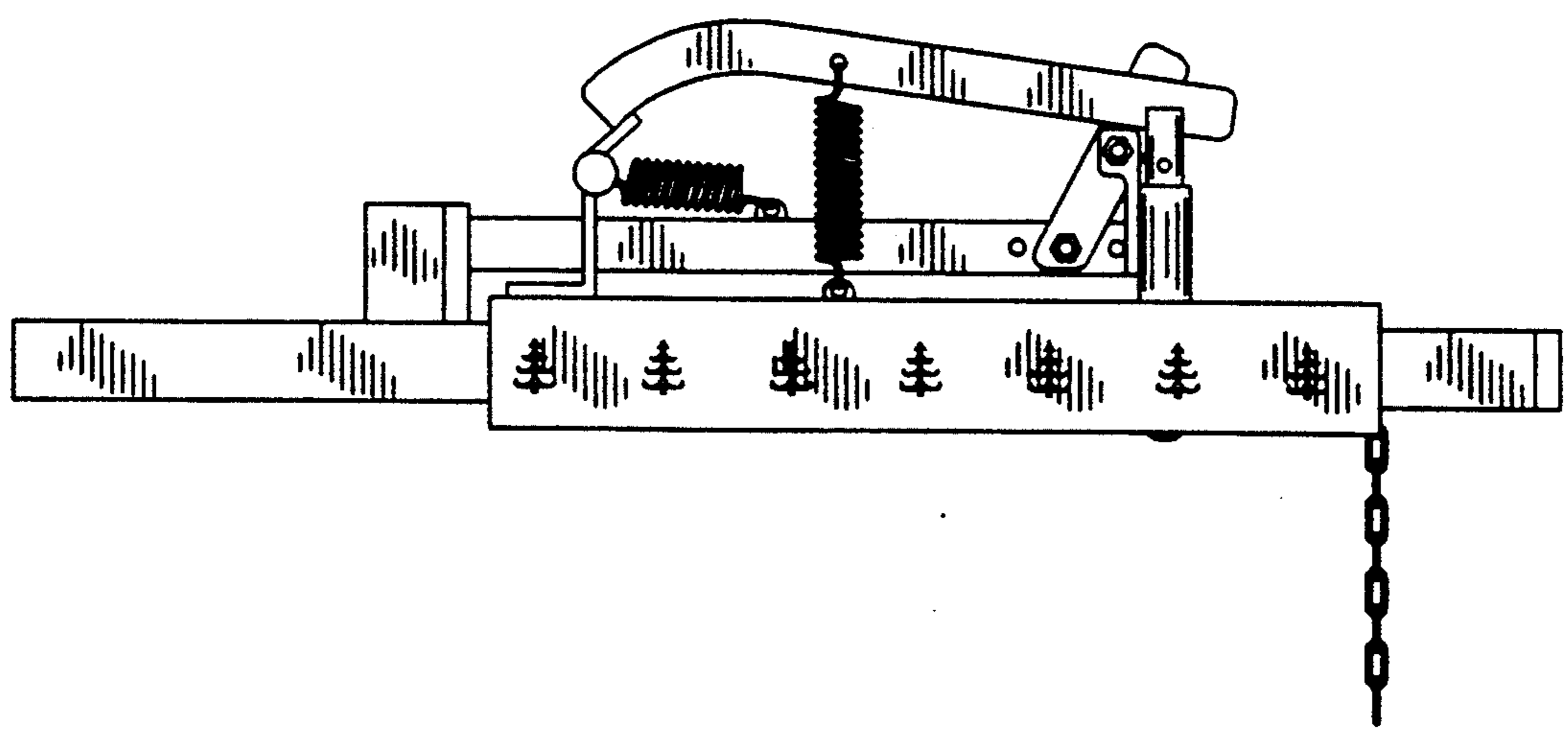


FIG. 3

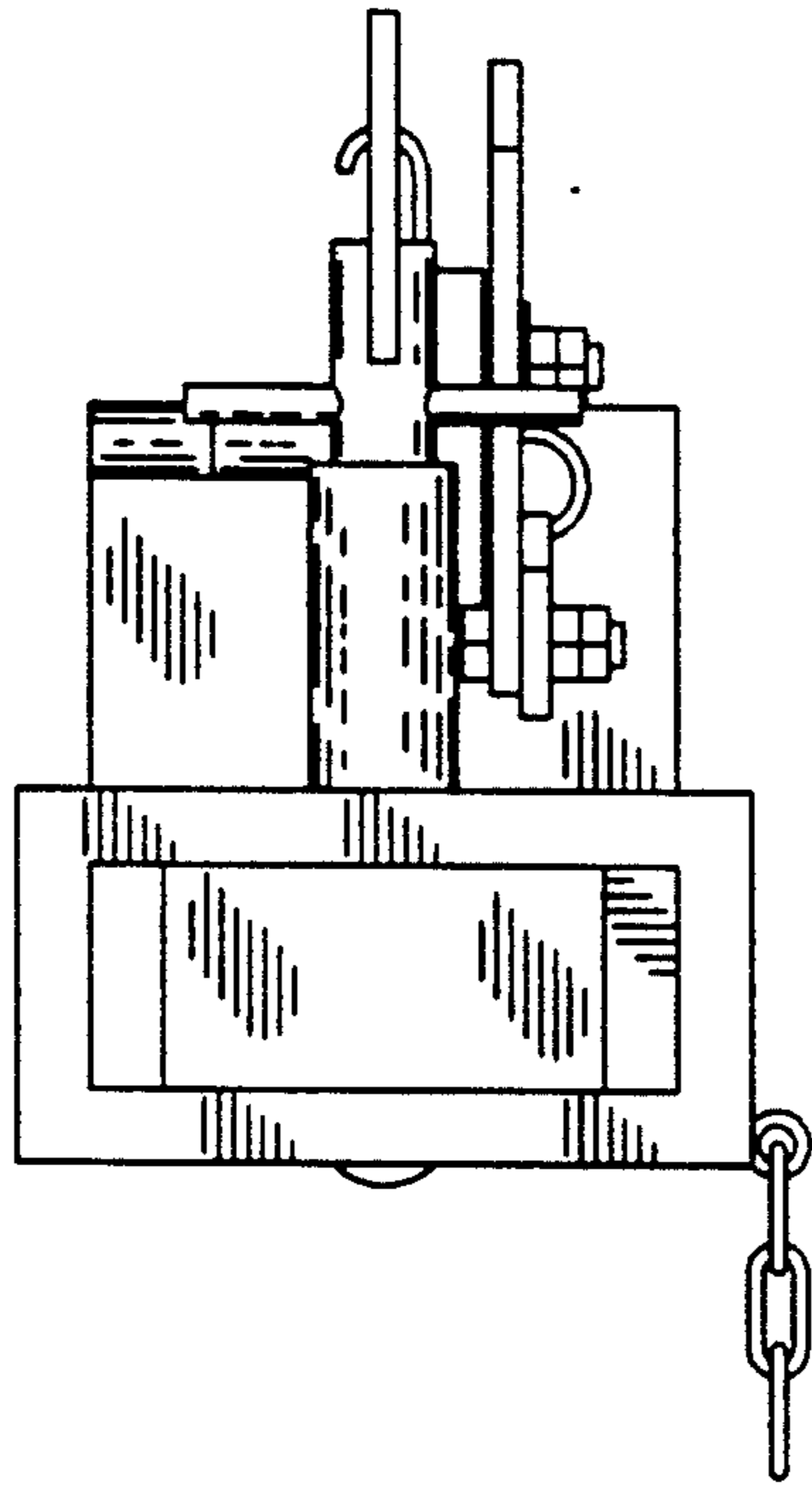


FIG. 4

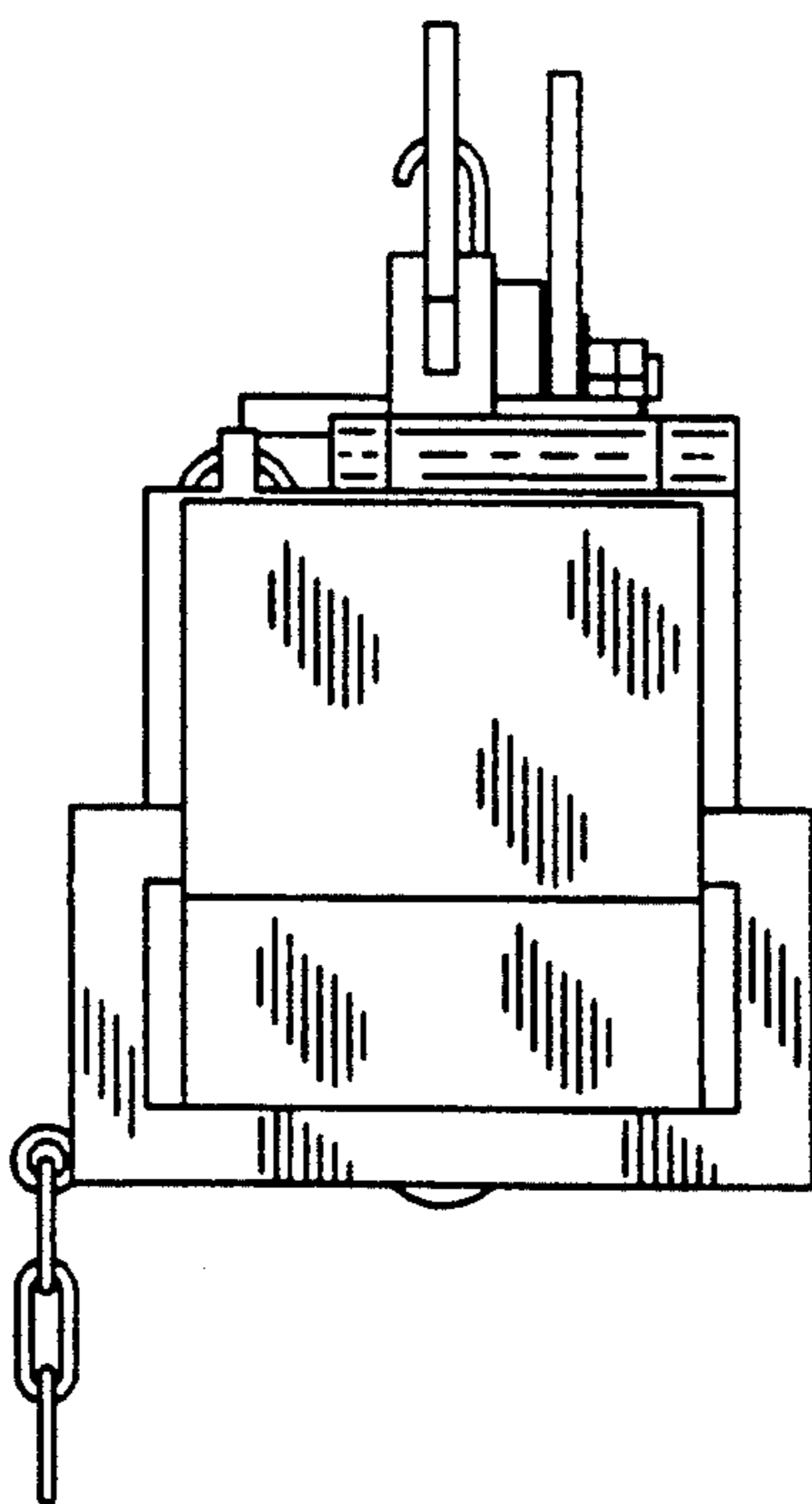


FIG. 5

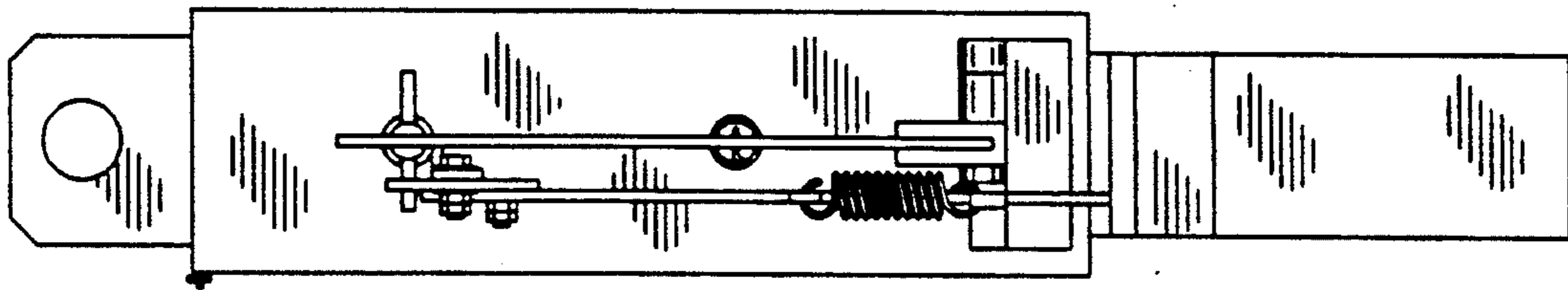


FIG. 6

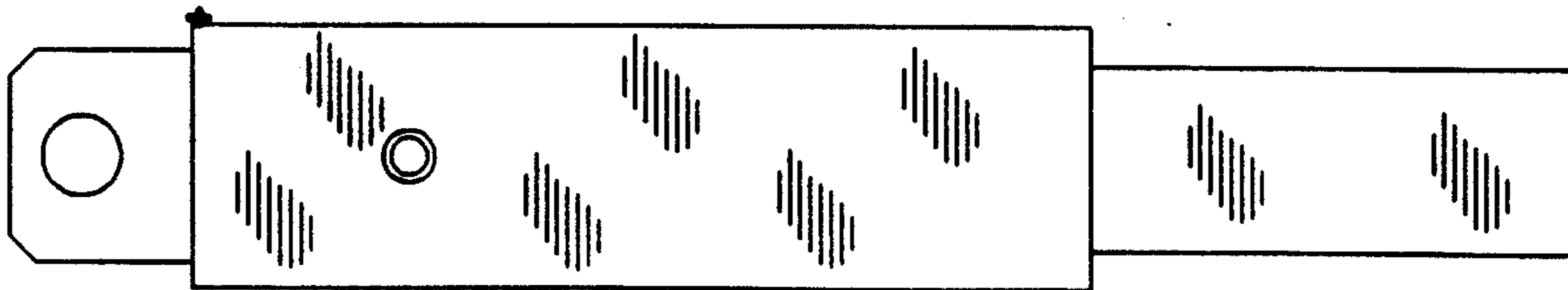


FIG. 7

