



US00D337289S

United States Patent [19]

[11] Patent Number: **Des. 337,289**

Constantine et al.

[45] Date of Patent: **** Jul. 13, 1993**

[54] **WHEELCHAIR**

[56] **References Cited**

[76] Inventors: **David P. Constantine**, 62 Saltram Crescent, Maida-Vale London W9; **Simon T. Gue**, The Folly, Oakridge, Stroud, Gloucestershire, GL6 7NR; **Richard J. Frost**, 4 Hereford Court, Danes Gate, Harrow Wealdstone HA1; **Nigel Garvey**, 4 Hereford Court, Danes Gate, Harrow Wealdstone HA1; **Pierre Willems**, 4 Hereford Court, Danes Gate, Harrow Wealdstone HA1, all of England

U.S. PATENT DOCUMENTS

D. 278,217	4/1985	Nasstr	D12/131
D. 294,475	3/1988	Chen	D12/131
4,721,321	1/1988	Haury et al.	280/250.1
5,152,543	10/1992	Sims et al.	280/250.1

Primary Examiner—Kay H. Chin
Attorney, Agent, or Firm—William Brinks Olds Hofer Gilson & Lione

[**] Term: **14 Years**

[57] CLAIM

The ornamental design for a wheelchair, as shown.

[21] Appl. No.: **786,805**

DESCRIPTION

[22] Filed: **Nov. 4, 1991**

FIG. 1 is a perspective view of a wheelchair showing our new design;
FIG. 2 is a front view thereof;
FIG. 3 is a side view thereof;
FIG. 4 is a rear view thereof;
FIG. 5 is a top view thereof; and,
FIG. 6 is a bottom view thereof.

[52] U.S. Cl. **D12/131**

[58] Field of Search **D12/131, 128; 280/250.1, 242.1; 297/DIG. 4**

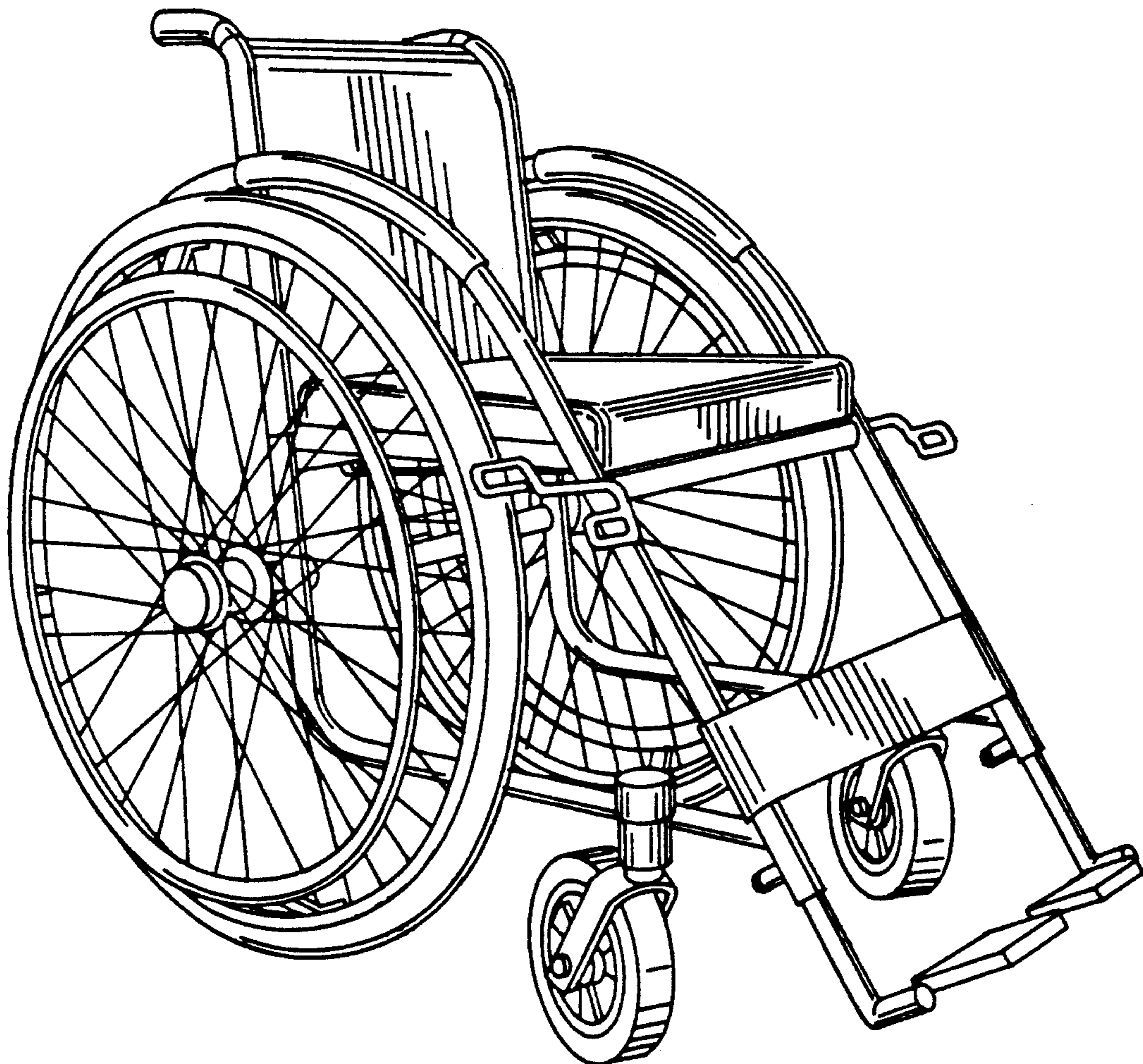


FIG.1

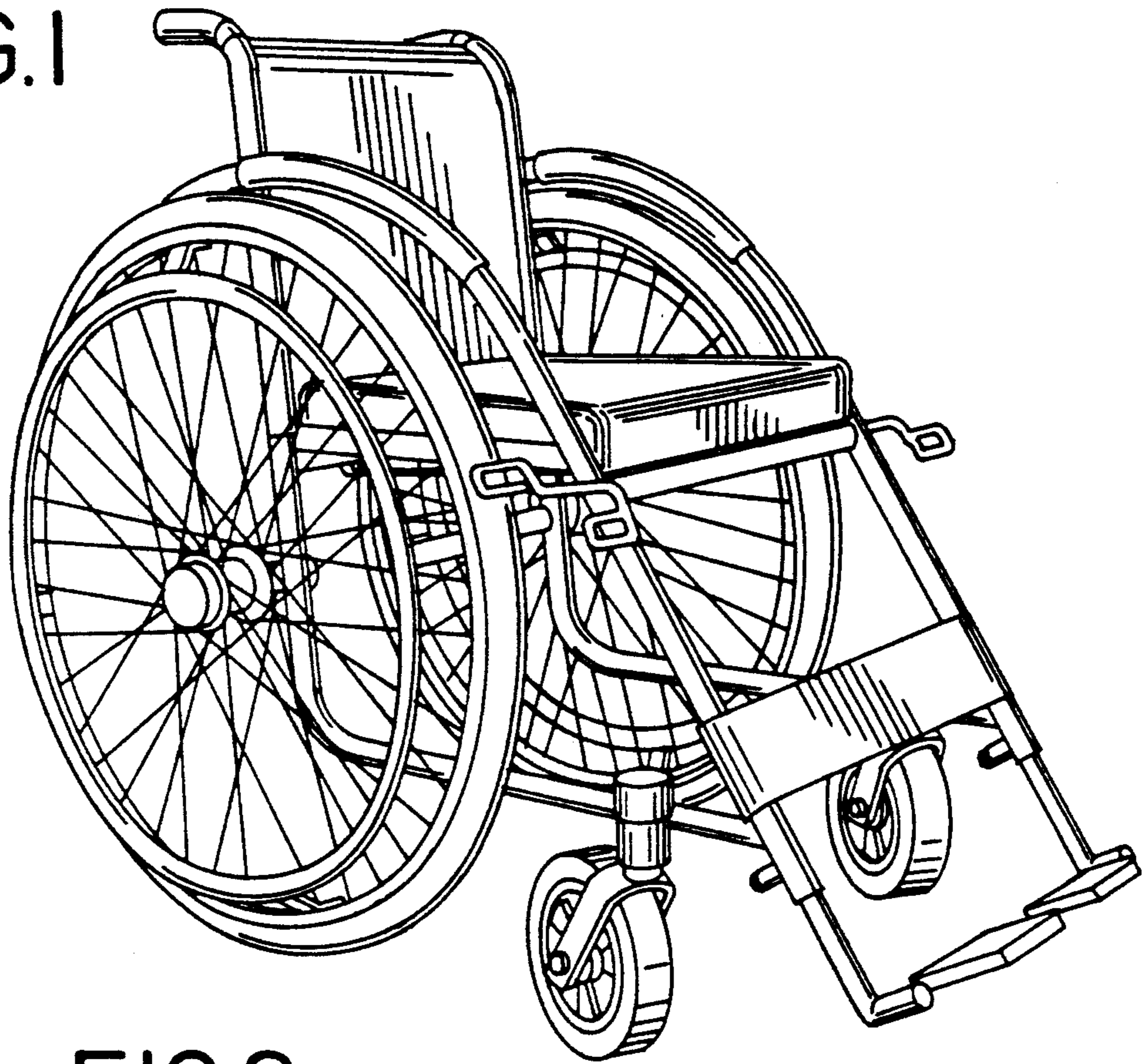


FIG.2

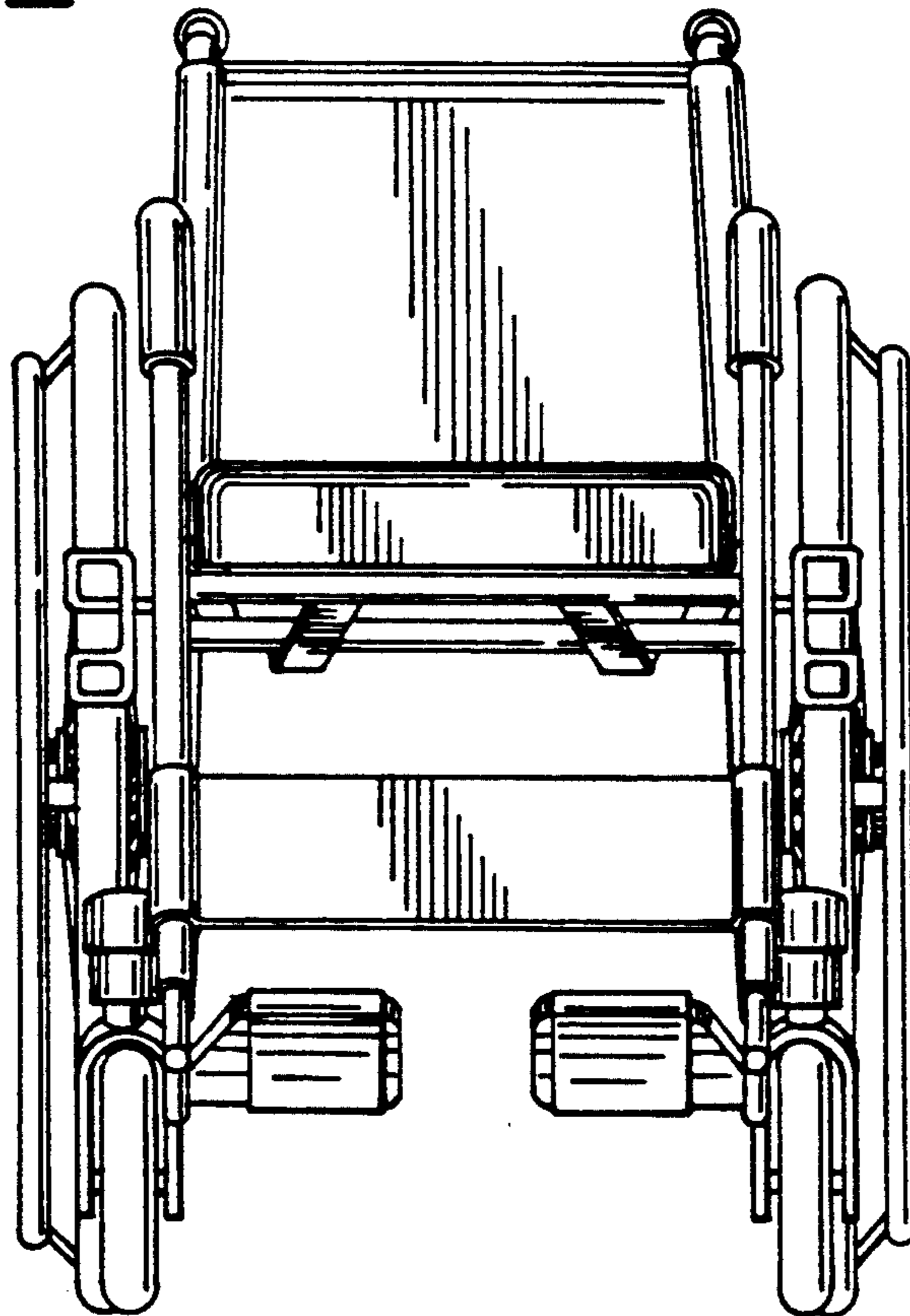


FIG.3

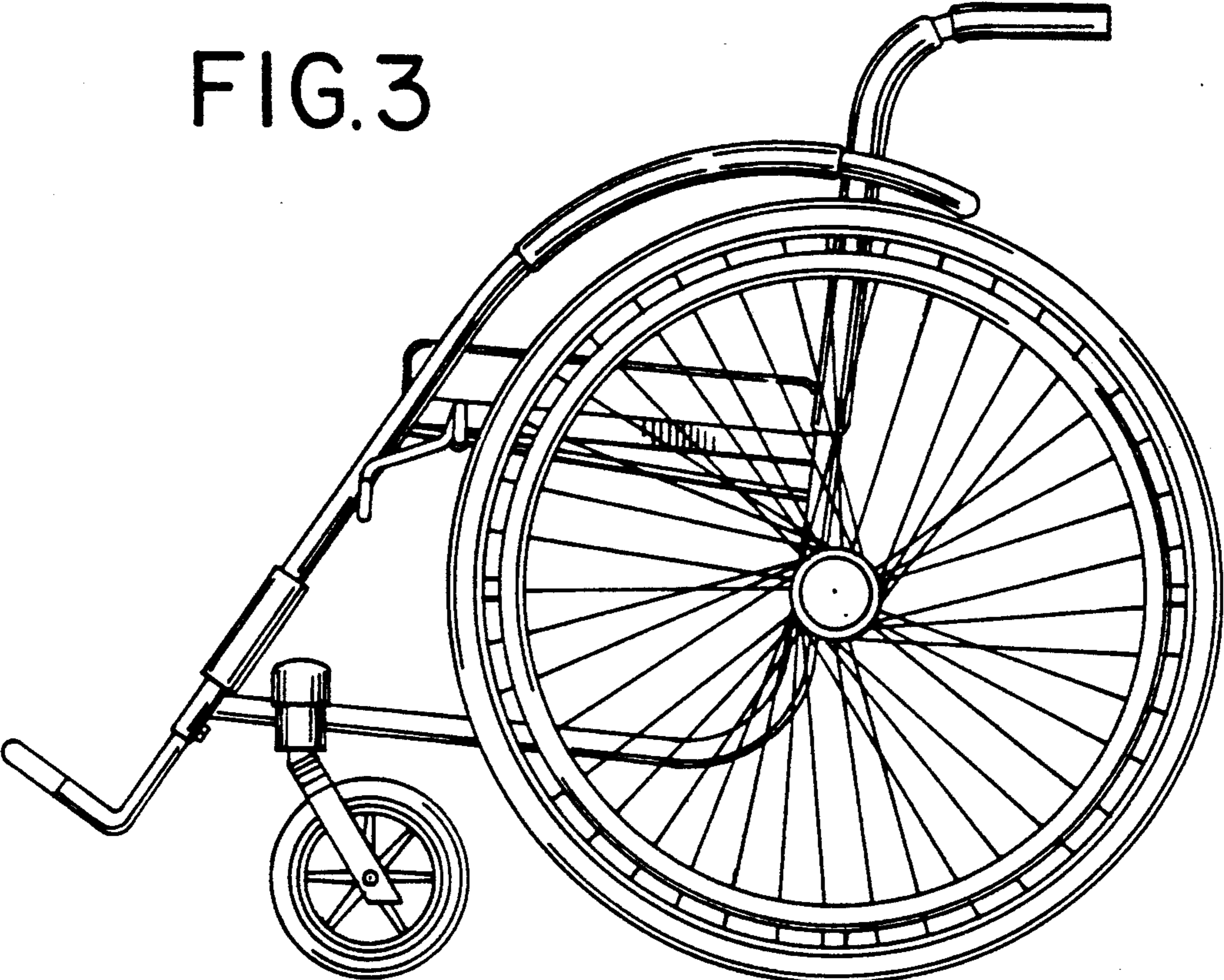


FIG.4

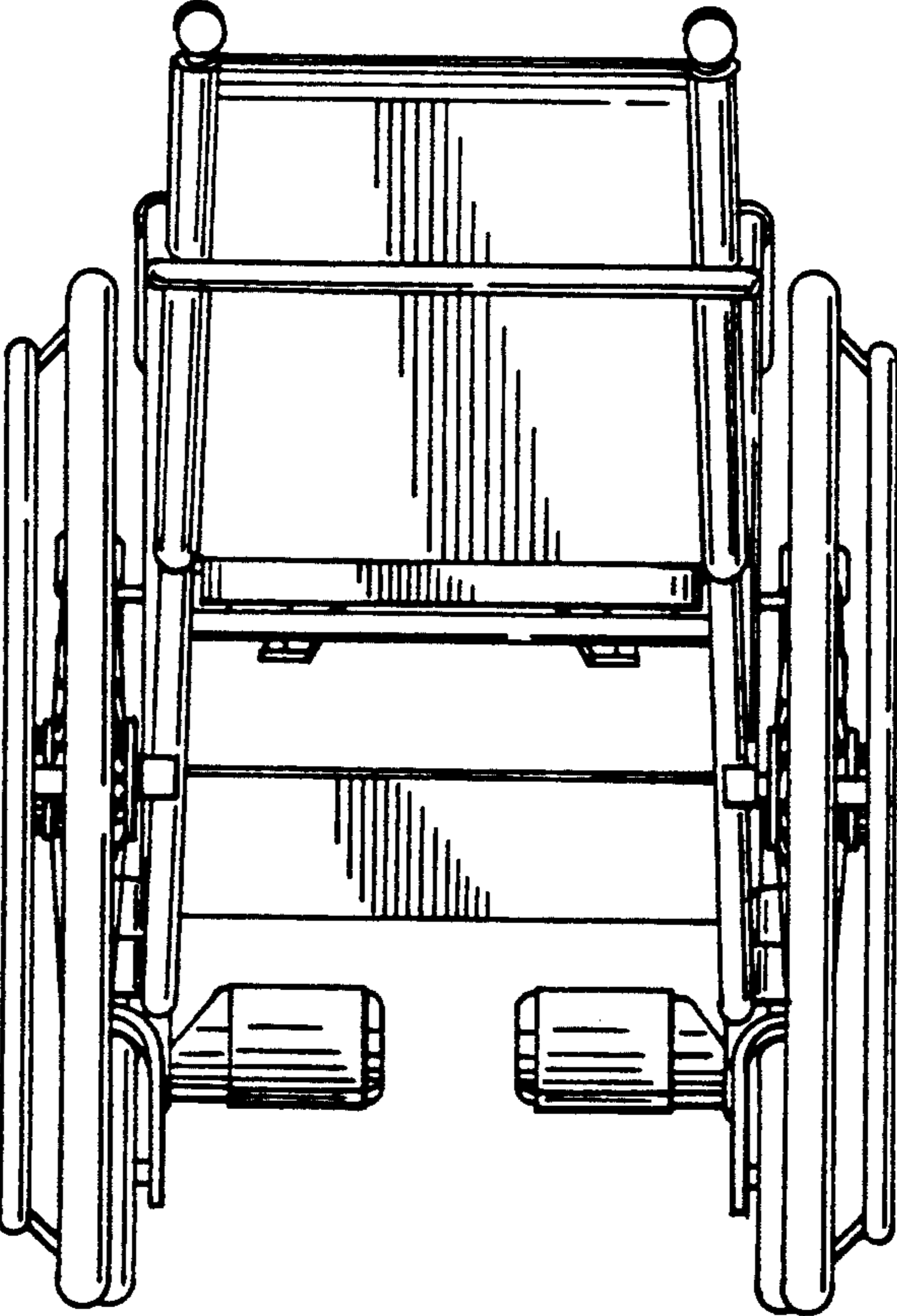


FIG. 5

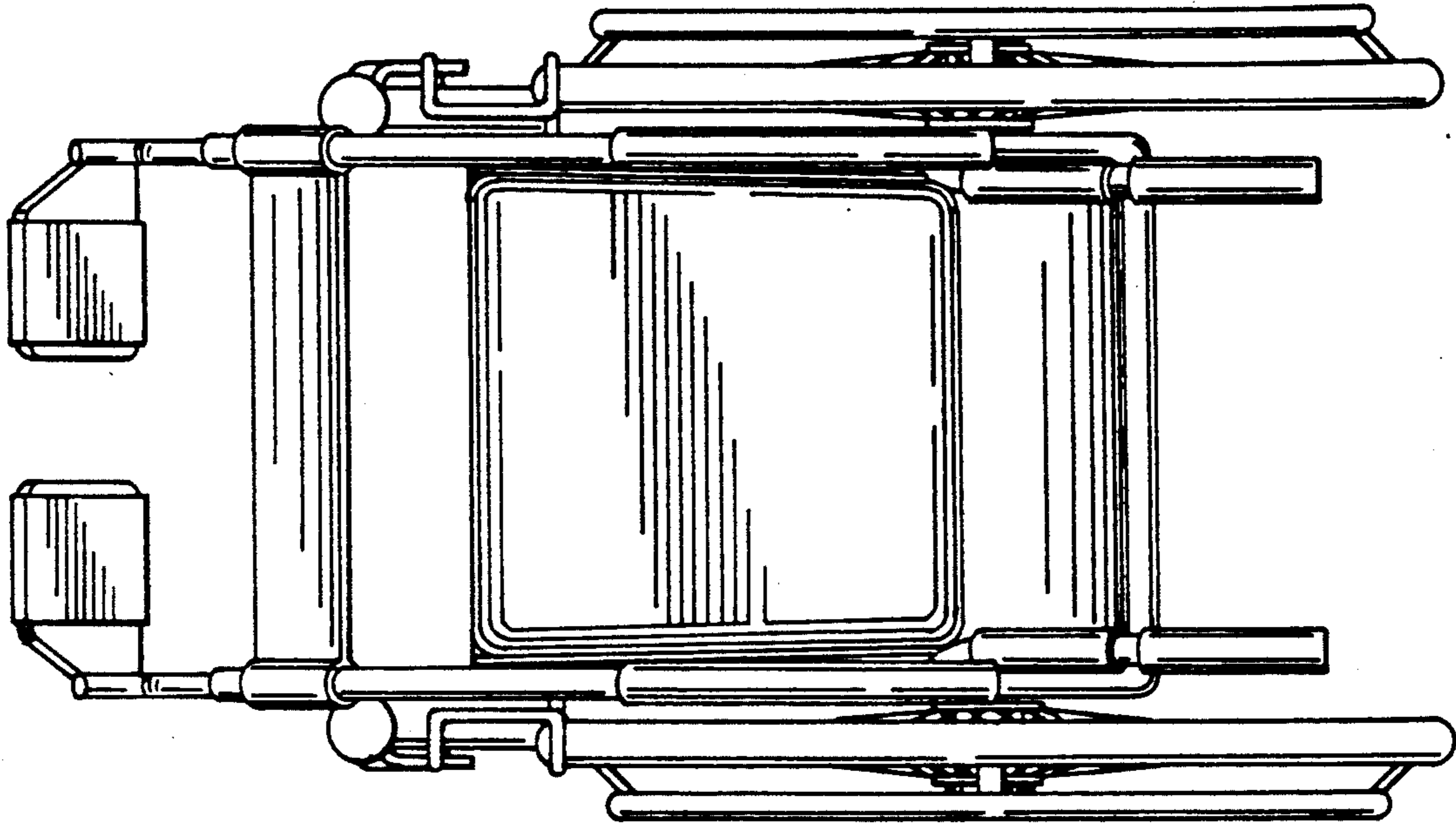


FIG. 6

