



US00D337288S

United States Patent [19]

[11] Patent Number: **Des. 337,288**

Ringle'

[45] Date of Patent: **** Jul. 13, 1993**

[54] **BICYCLE WATER BOTTLE HOLDER**

[76] Inventor: **Geoffrey F. Ringle'**, 203 Afton Ave.,
Trenton, N.J. 08618

[**] Term: **14 Years**

[21] Appl. No.: **775,358**

[22] Filed: **Oct. 15, 1991**

[52] U.S. Cl. **D12/114**

[58] Field of Search **D12/114, 158; 224/32 R,
224/32 A, 30 H, 30 R, 35, 39**

[56] **References Cited**

U.S. PATENT DOCUMENTS

D. 332,240	1/1993	Schlanger et al.	D12/114
4,009,810	3/1977	Shook	224/32 R
4,830,239	5/1989	Tackles et al.	224/35
4,883,205	11/1989	Saelens et al.	224/35
5,011,055	4/1991	Neugent	224/35

Primary Examiner—Wallace R. Burke
Assistant Examiner—Melody Brown
Attorney, Agent, or Firm—Sperry, Zoda & Kane

[57] **CLAIM**

The ornamental design for a bicycle water bottle holder, as shown and described.

DESCRIPTION

FIG. 1 is a top, front and side perspective view of a bicycle water bottle holder showing my new design; FIG. 2 is a front elevation view thereof; FIG. 3 is a rear elevation view thereof; FIG. 4 is a left side elevation view thereof; FIG. 5 is a right side elevation view thereof; FIG. 6 is a top plan view thereof; and, FIG. 7 is a bottom plan view thereof.

The broken lines shown in FIGS. 1-7 are for illustrative purposes only and form no part of the claimed design.

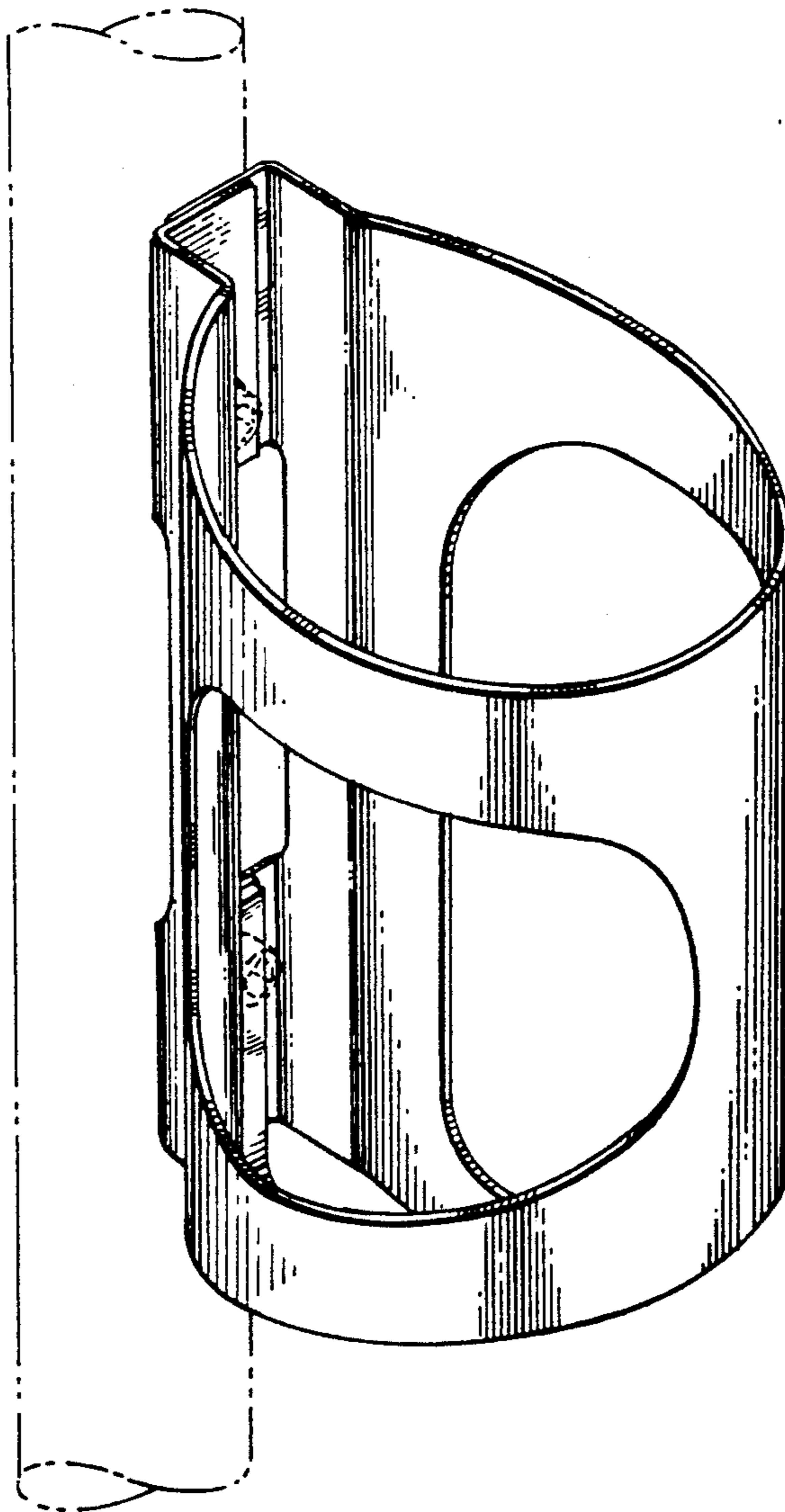


FIG. 1

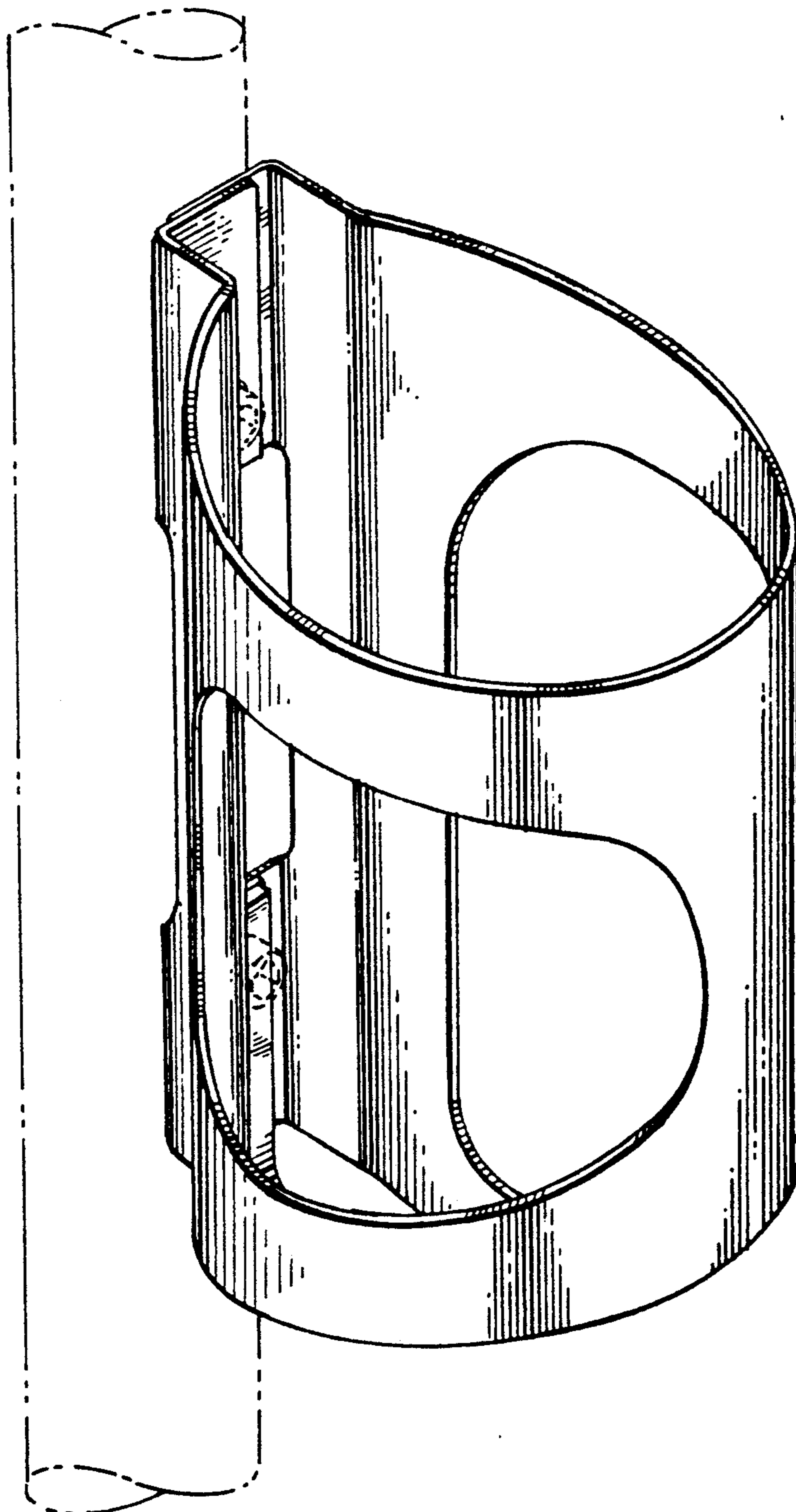


FIG. 2

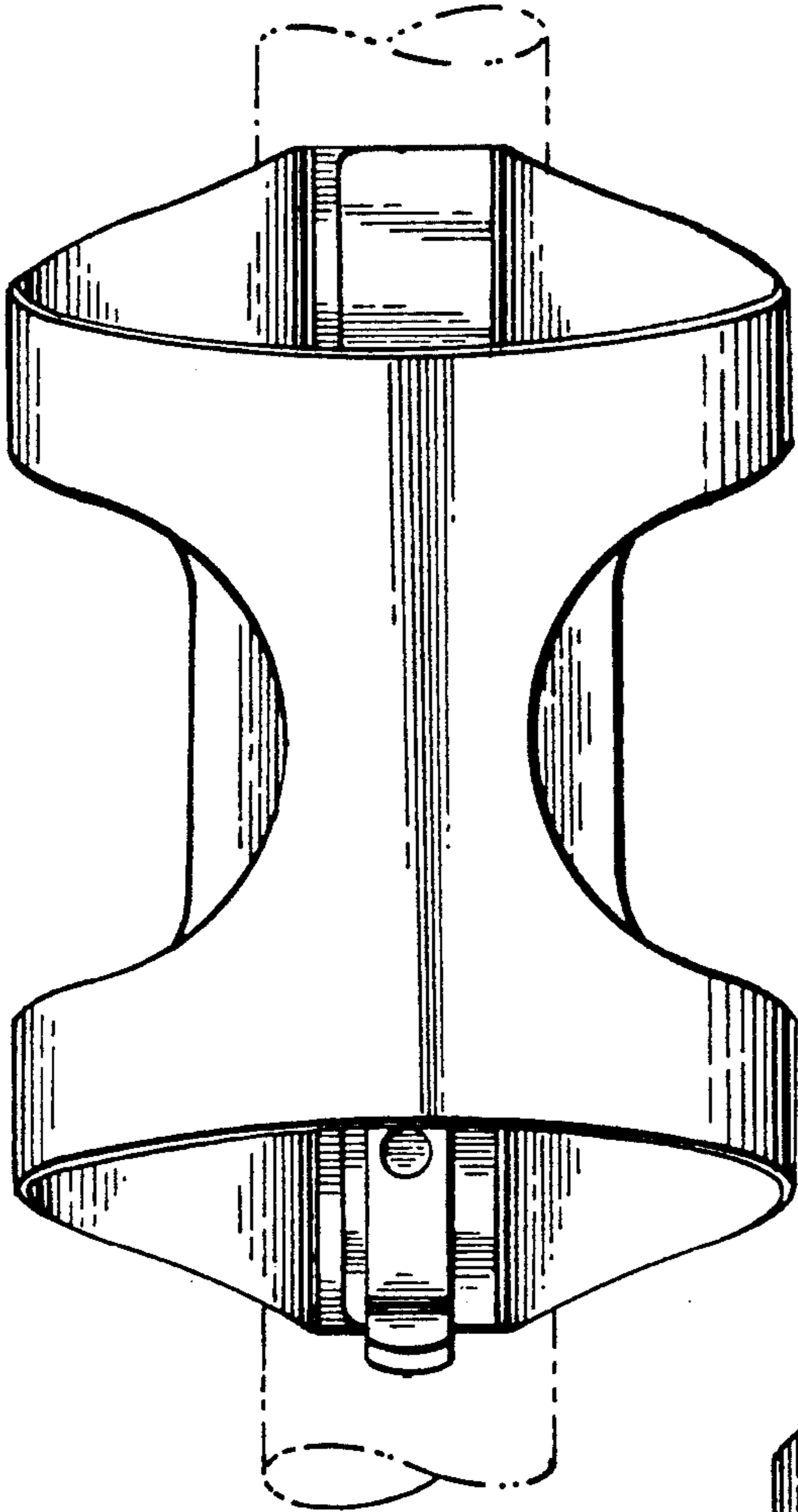
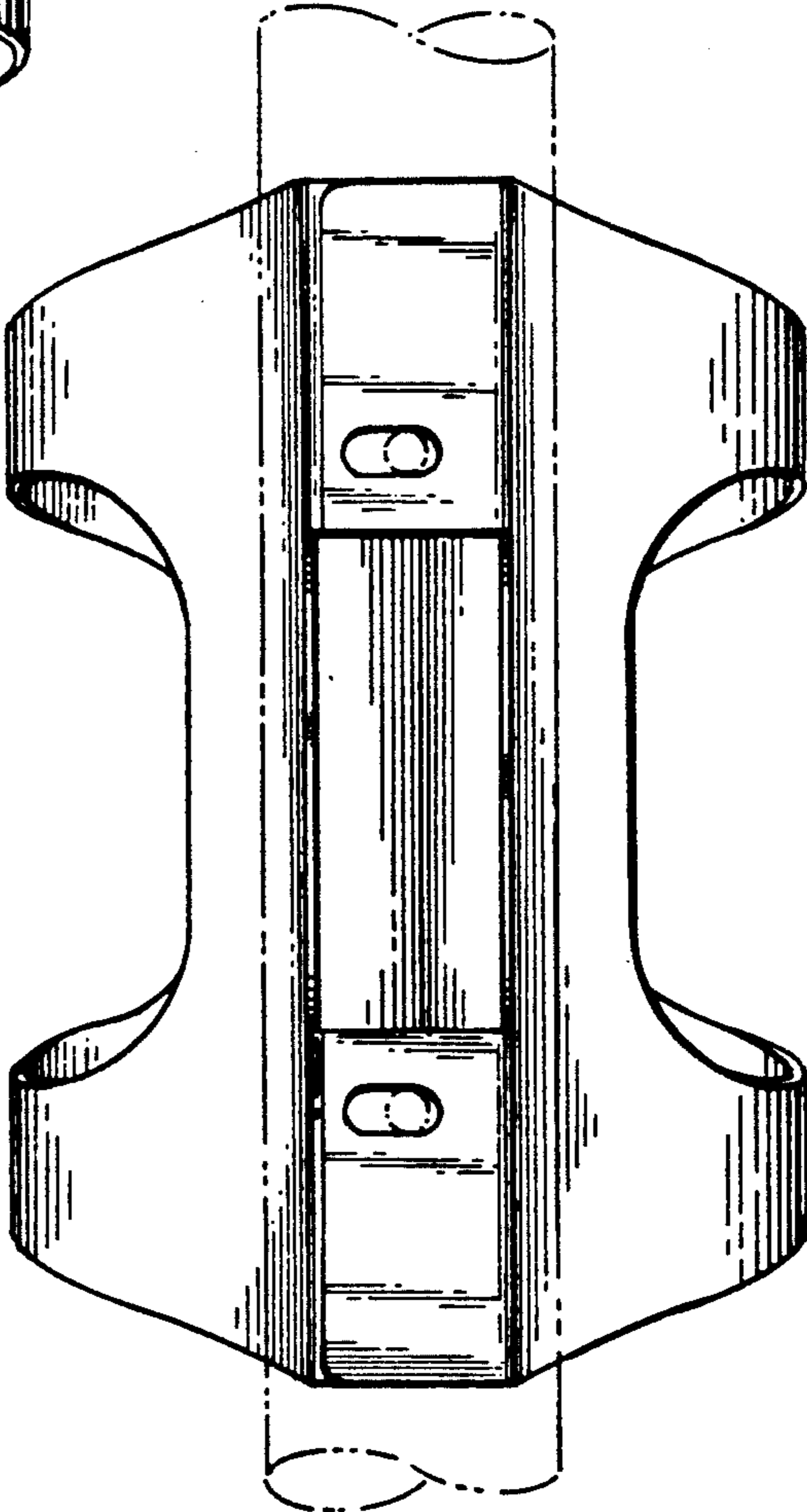


FIG. 3



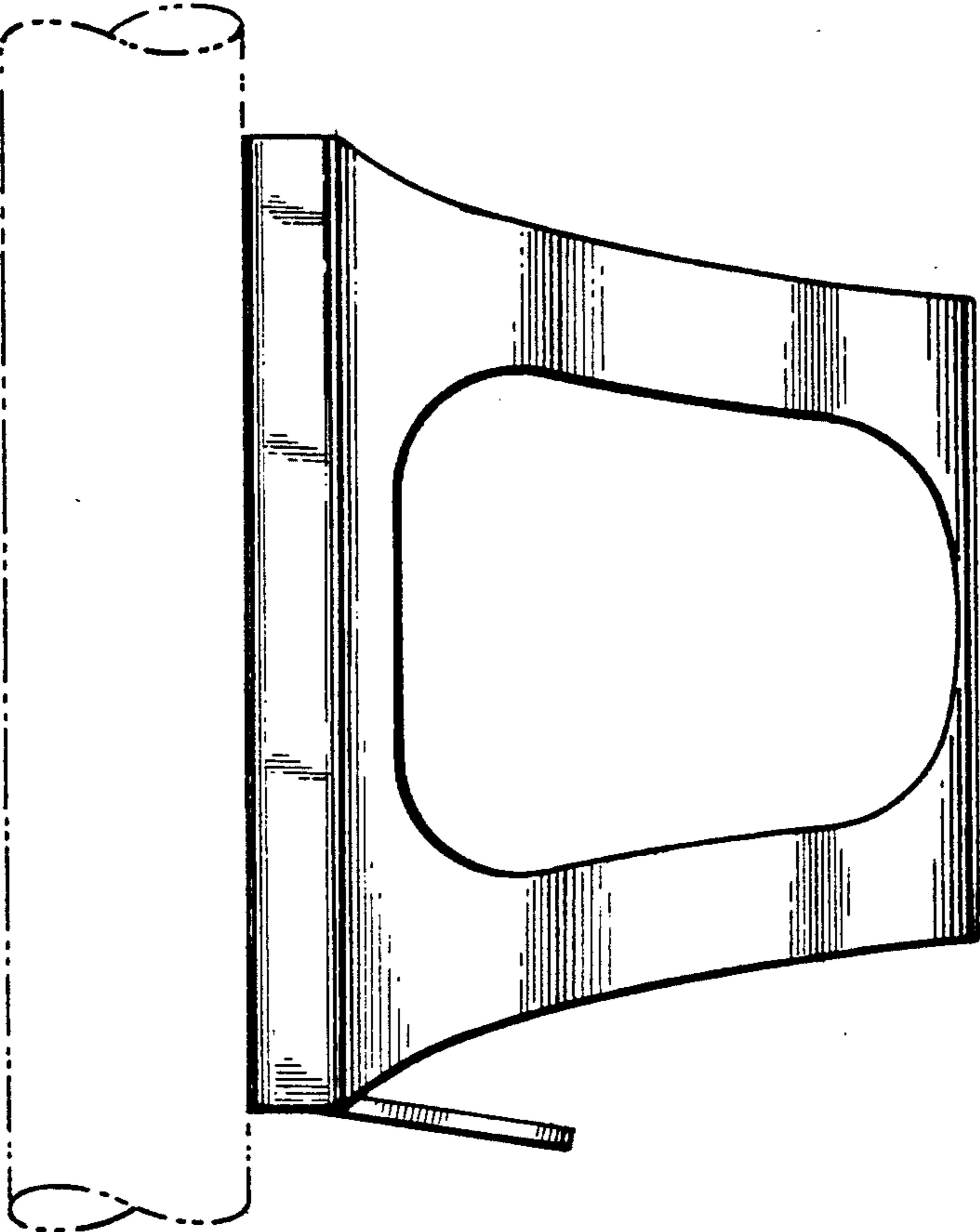


FIG. 4

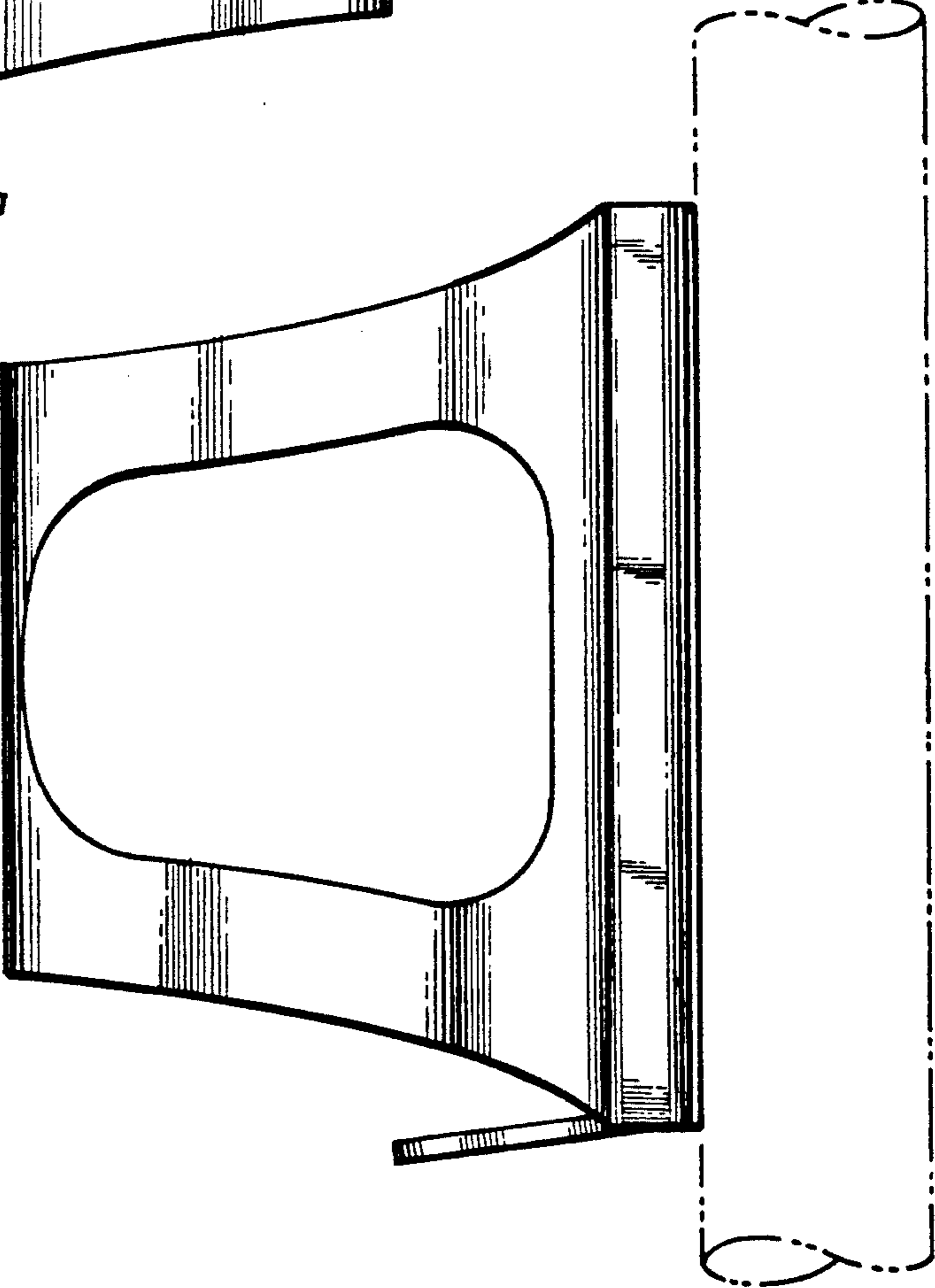


FIG. 5

FIG. 6

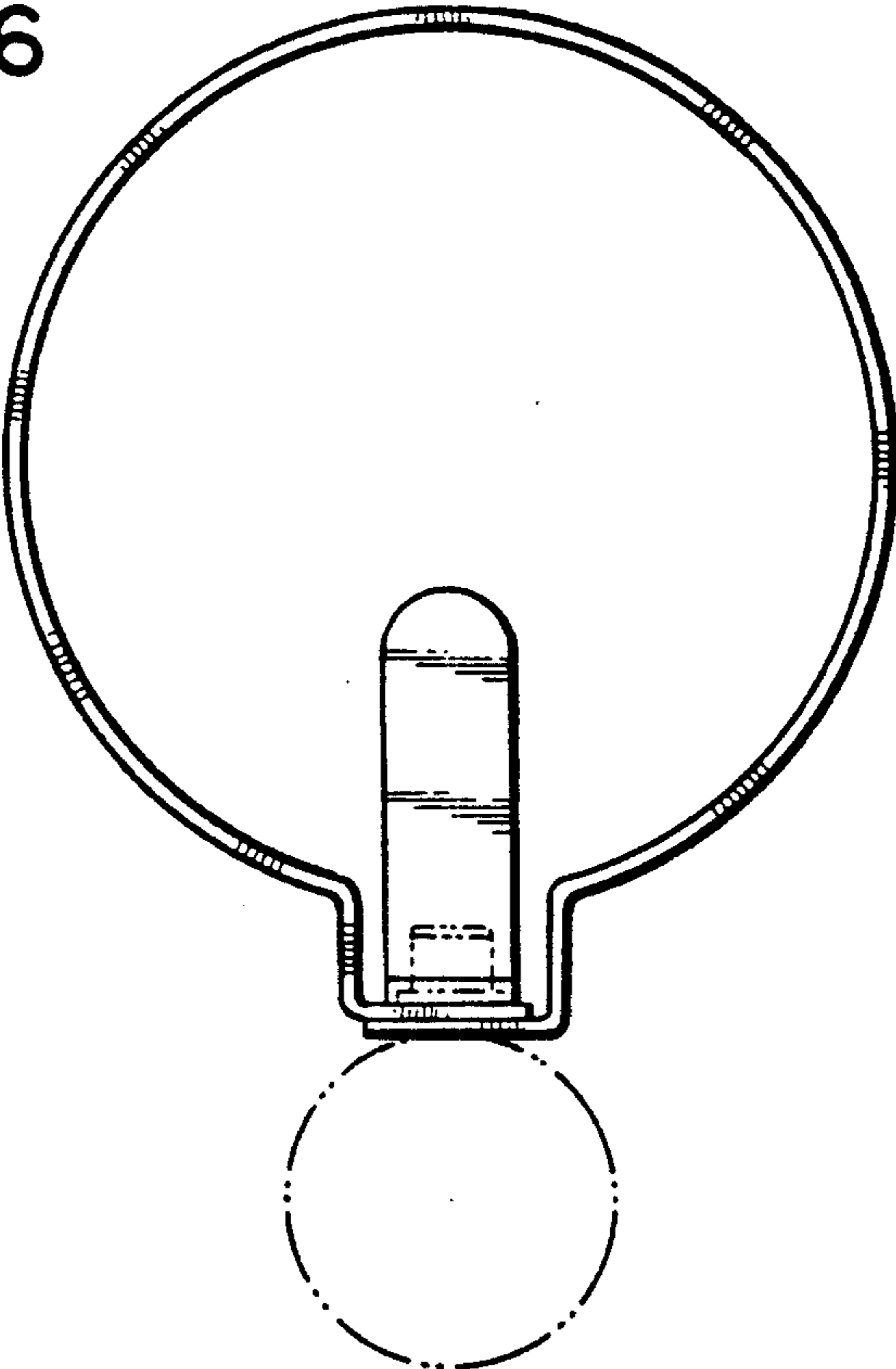


FIG. 7

