



US00D337280S

United States Patent [19]

Johansson

[11] Patent Number: **Des. 337,280**

[45] Date of Patent: **** Jul. 13, 1993**

[54] **PROBE FOR AIR FLOW MEASUREMENTS**

[75] Inventor: **Anders Johansson, Hovmantorp, Sweden**

[73] Assignee: **ABB Flakt AB, Nacka, Sweden**

[**] Term: **14 Years**

[21] Appl. No.: **608,653**

[22] Filed: **Nov. 2, 1990**

[30] **Foreign Application Priority Data**

May 4, 1990 [SE] Sweden 901000

[52] U.S. Cl. **D10/80; D10/96**

[58] Field of Search **D10/96, 98, 46, 103; D25/44, 119, 122; 376/210, 438, 462; 73/863.52, 863.53, 863.71, 863.5, 861.42-861.64**

[56] **References Cited**

U.S. PATENT DOCUMENTS

D. 218,934 10/1970 Cordero D10/96

D. 234,756 4/1975 Bergstrom D25/122 X

D. 296,530 7/1988 Nowacki et al. D10/96

4,020,639 5/1977 Nagare et al. D25/122 X

4,884,460 12/1989 Nowacki et al. 73/861.52

4,945,771 8/1990 Ogden 73/861.58

4,984,187 6/1990 Woltman 73/861.57 X

Primary Examiner—Alan P. Douglas

Assistant Examiner—Antoine D. Davis

Attorney, Agent, or Firm—Birch, Stewart, Kolasch & Birch

[57] **CLAIM**

The ornamental design for a probe for air flow measurements, as shown and described.

DESCRIPTION

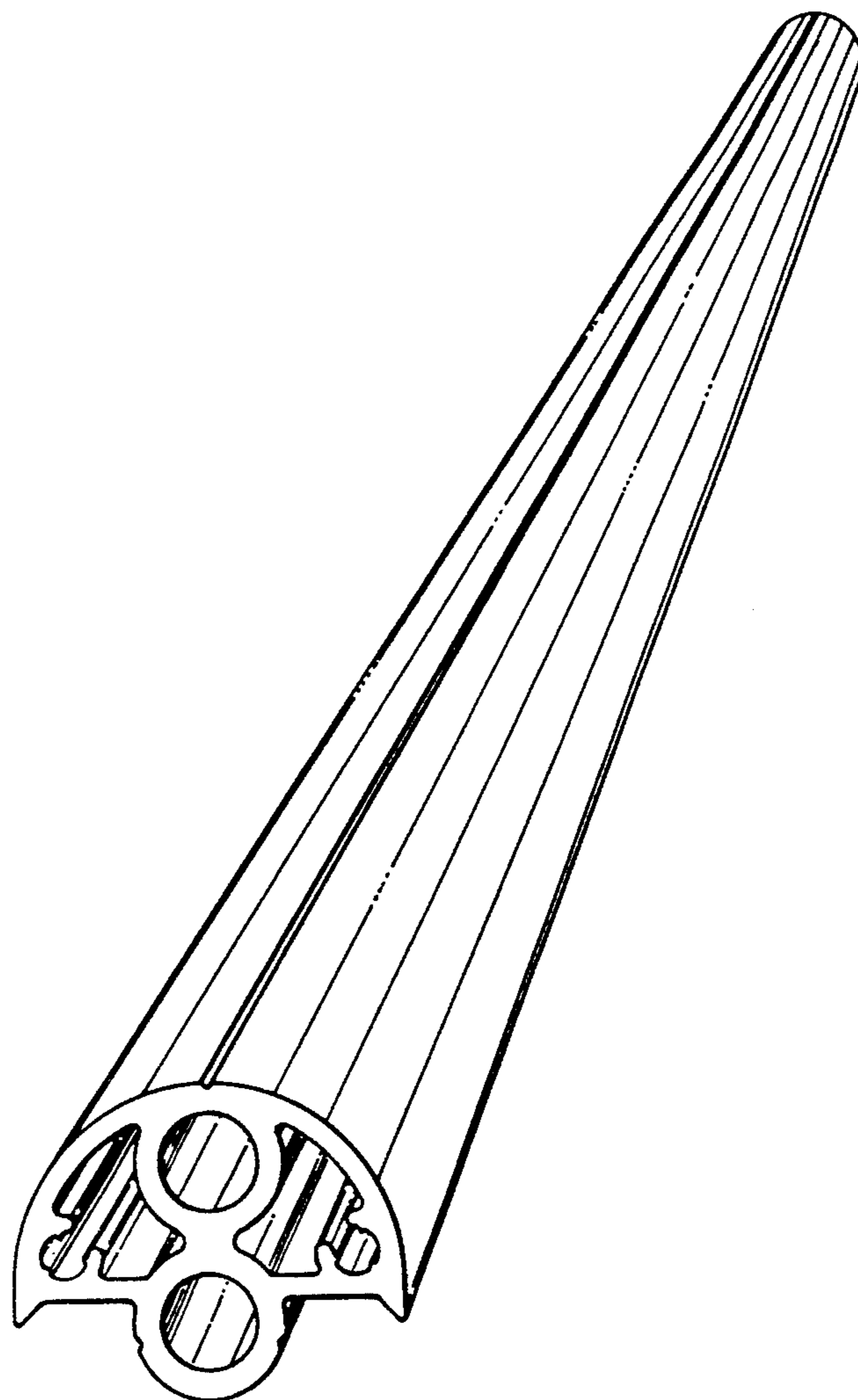
FIG. 1 is a perspective view of a probe for air flow measurements showing my new design;

FIG. 2 is a top plan view thereof;

FIG. 3 is a front elevational view thereof, the rear elevational view being a mirror image;

FIG. 4 is a right side elevational view, the left side elevational view being a mirror image; and,

FIG. 5 is a bottom plan view thereof.



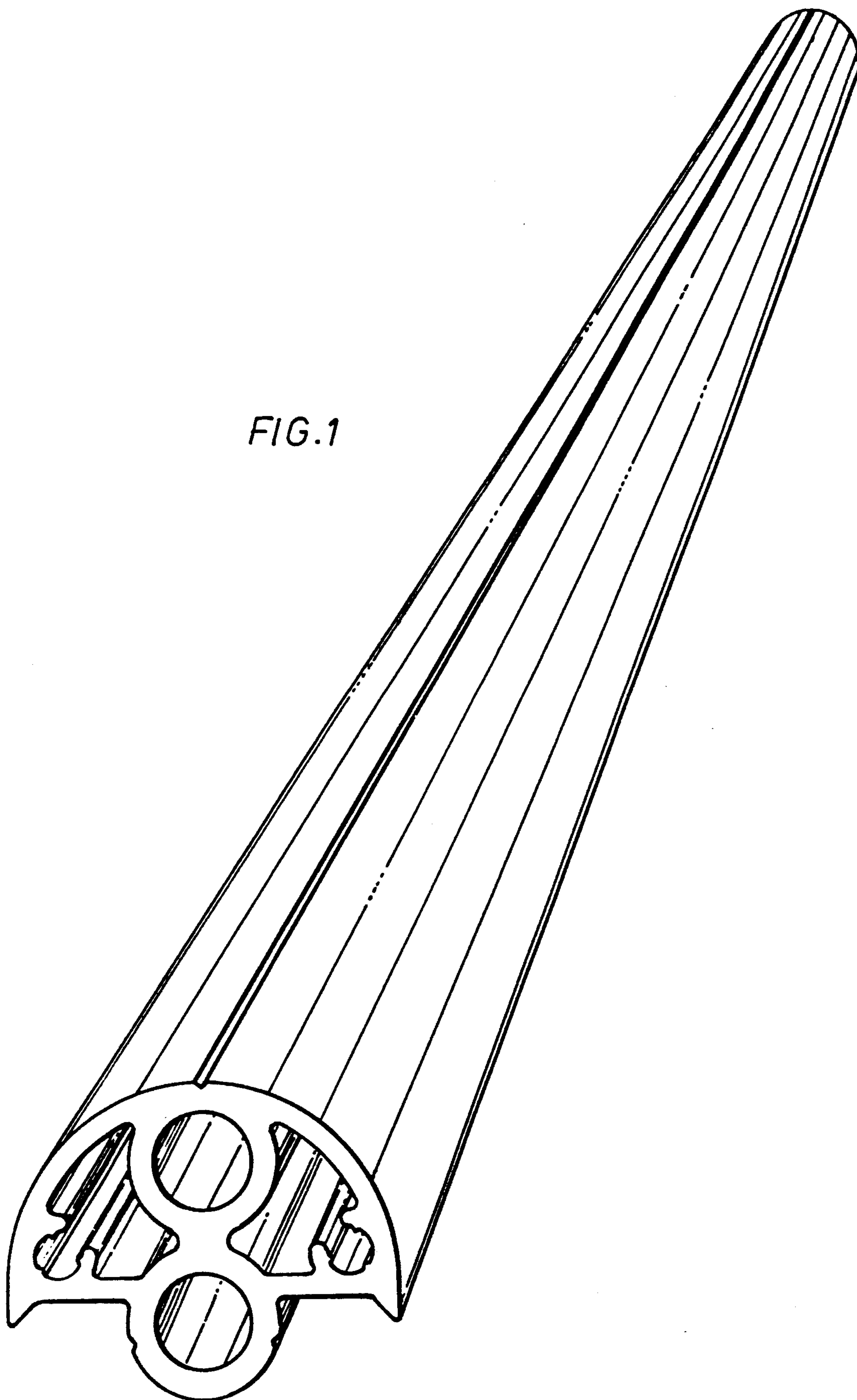


FIG.1

FIG. 2

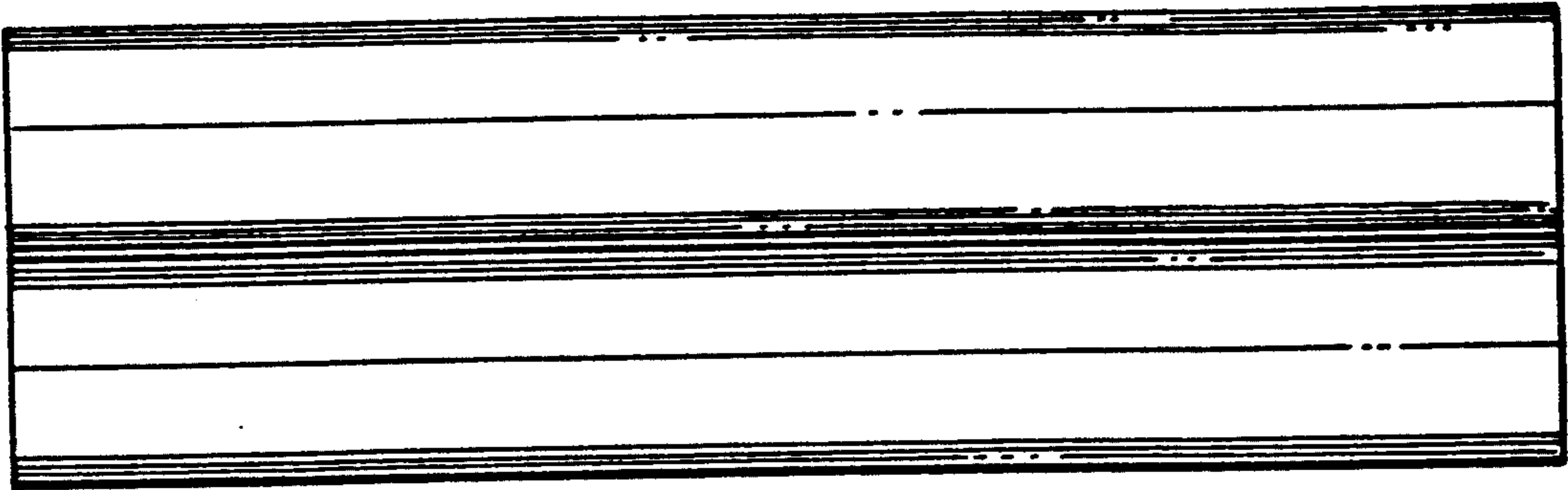


FIG. 3

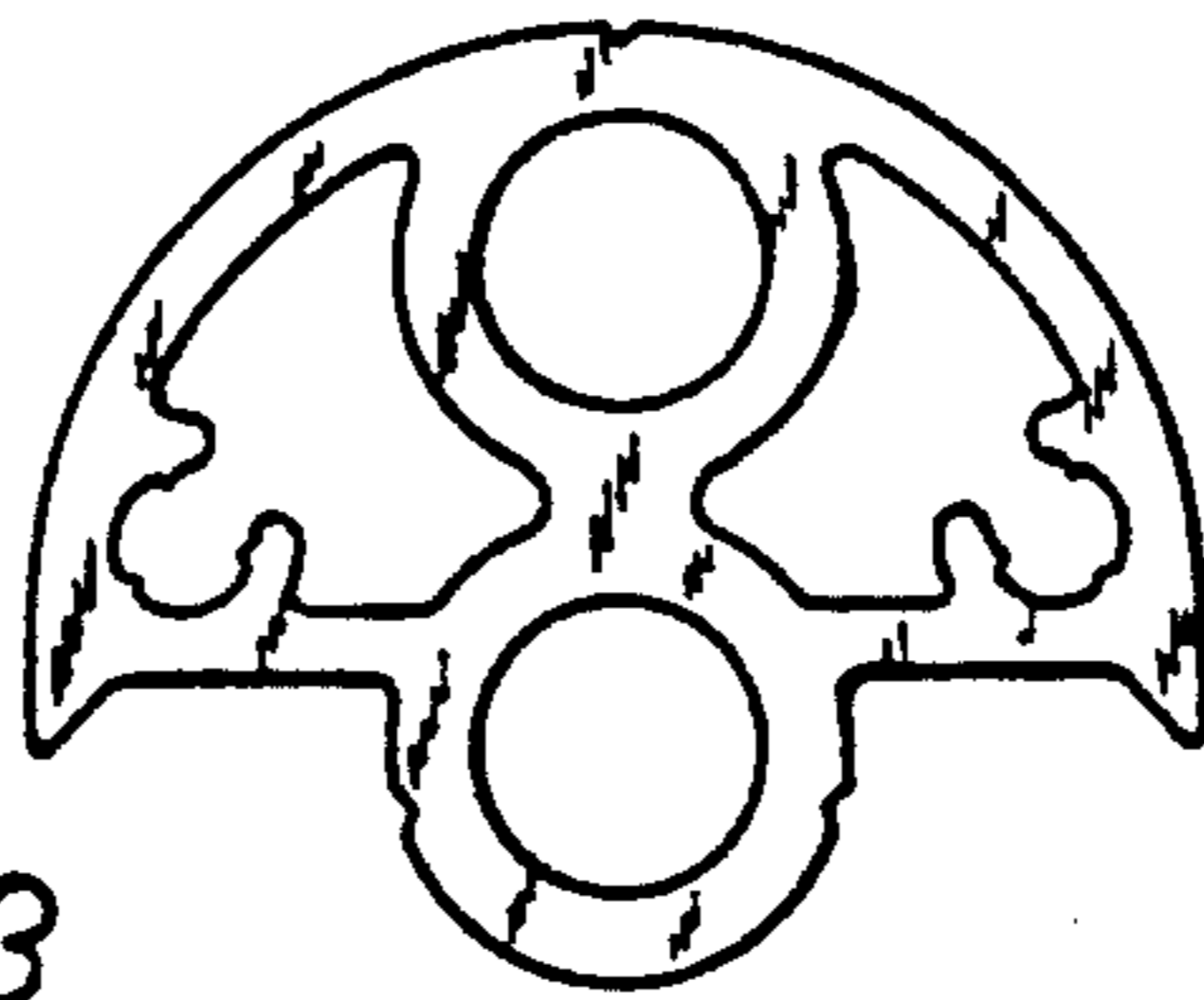


FIG. 4

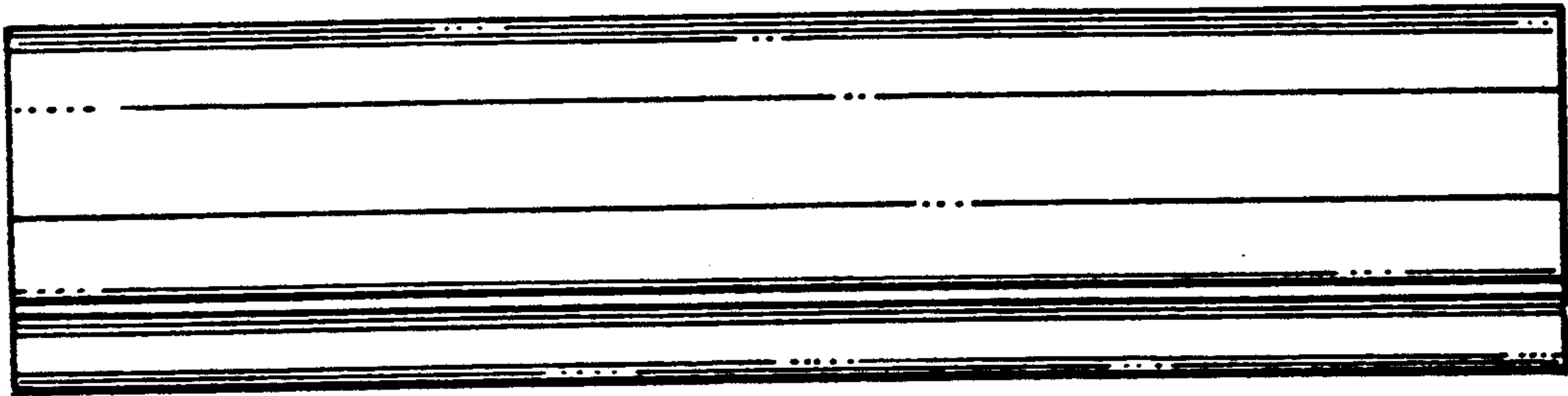


FIG. 5

