



US00D337278S

United States Patent [19]

Arias

[11] Patent Number: **Des. 337,278**

[45] Date of Patent: **** Jul. 13, 1993**

[54] **SHOWER TEMPERATURE CONTROL DEVICE**

[76] Inventor: **Ermel A. Arias**, 4 W. Union St., Canton, Pa. 17724

[**] Term: **14 Years**

[21] Appl. No.: **520,389**

[22] Filed: **May 8, 1990**

[52] U.S. Cl. **D10/49**

[58] Field of Search **D10/49, 50, 51, 52; D13/162, 163, 164, 200, 249, 245, 246; 236/245, 25 A, 32, 33, 442, 44 A, 44 C, 44 E, 46 R, 46 H, 46 G, 46 E, 46 F, 47, 50, 91 D, 91 F, 93 R**

[56] **References Cited**

U.S. PATENT DOCUMENTS

- D. 312,974 12/1990 Conner et al. **D10/46 X**
- 3,487,996 1/1970 Lofgren .
- 3,721,386 3/1973 Brick .

- 4,180,208 12/1979 Obermaier 236/93 B
- 4,611,757 9/1986 Saether .
- 4,854,498 8/1989 Stayton 236/12.12

Primary Examiner—Nelson C. Holtje
Assistant Examiner—Antoine D. Davis
Attorney, Agent, or Firm—Terry M. Gernstein

[57] **CLAIM**

The ornamental design for a shower temperature control device, as shown and described.

DESCRIPTION

FIG. 1 is a perspective view of the shower temperature control device embodying the design of the present invention;

FIG. 2 is a front elevational view thereof;

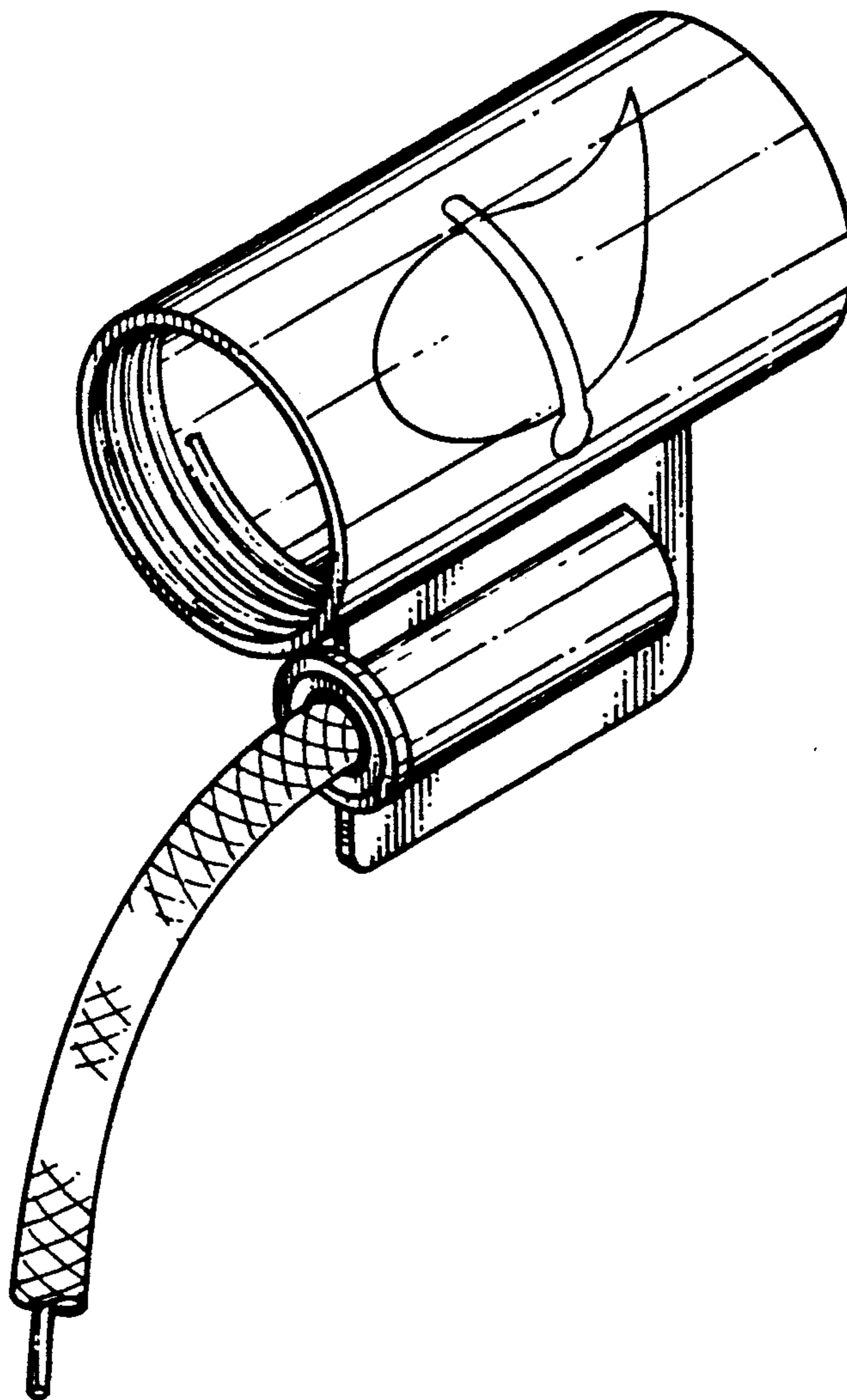
FIG. 3 is a rear elevational view thereof;

FIG. 4 is an end elevational view thereof;

FIG. 5 is an end elevational view thereof;

FIG. 6 is a top plan view thereof; and,

FIG. 7 is a bottom view thereof.



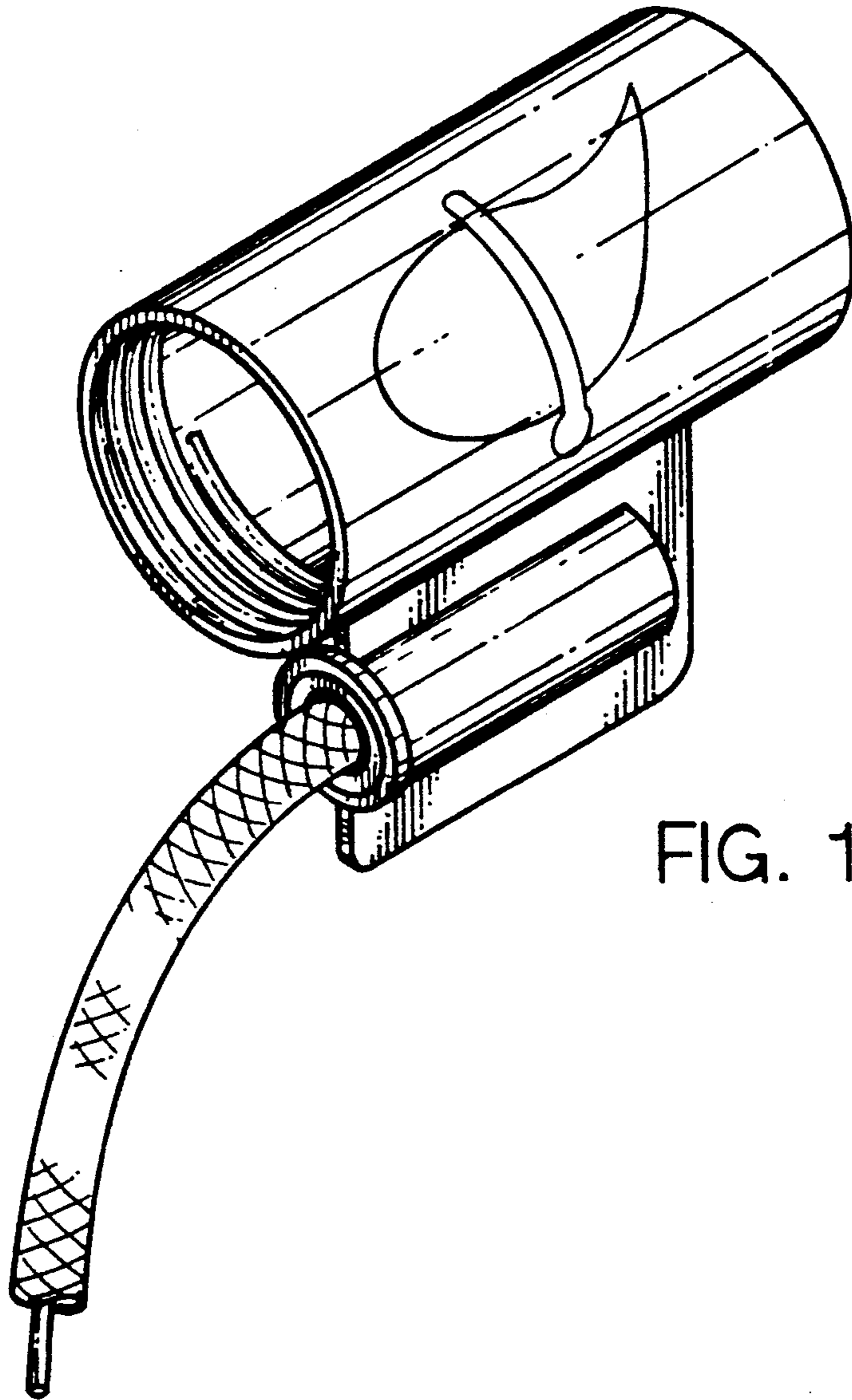


FIG. 1

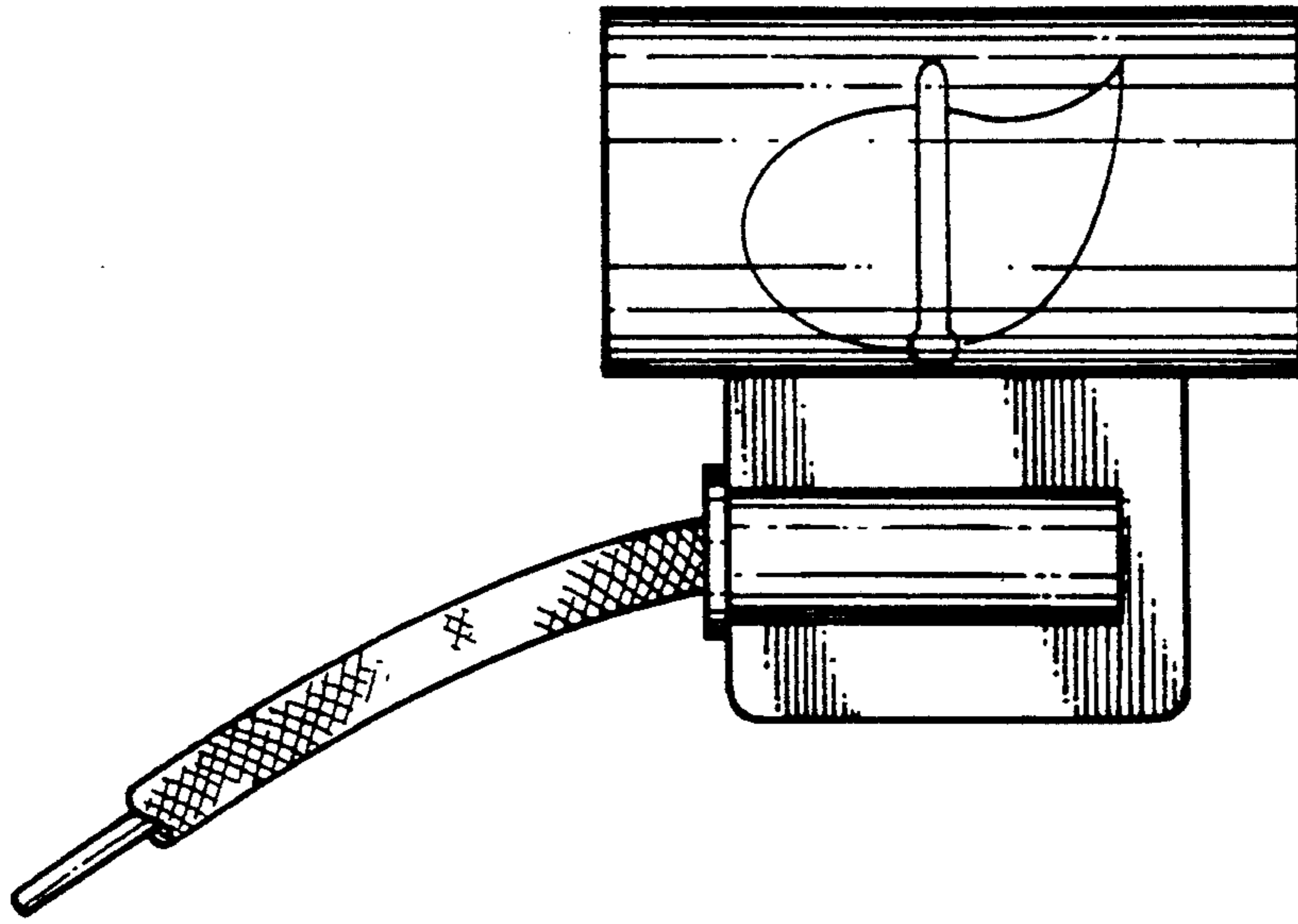


FIG. 2

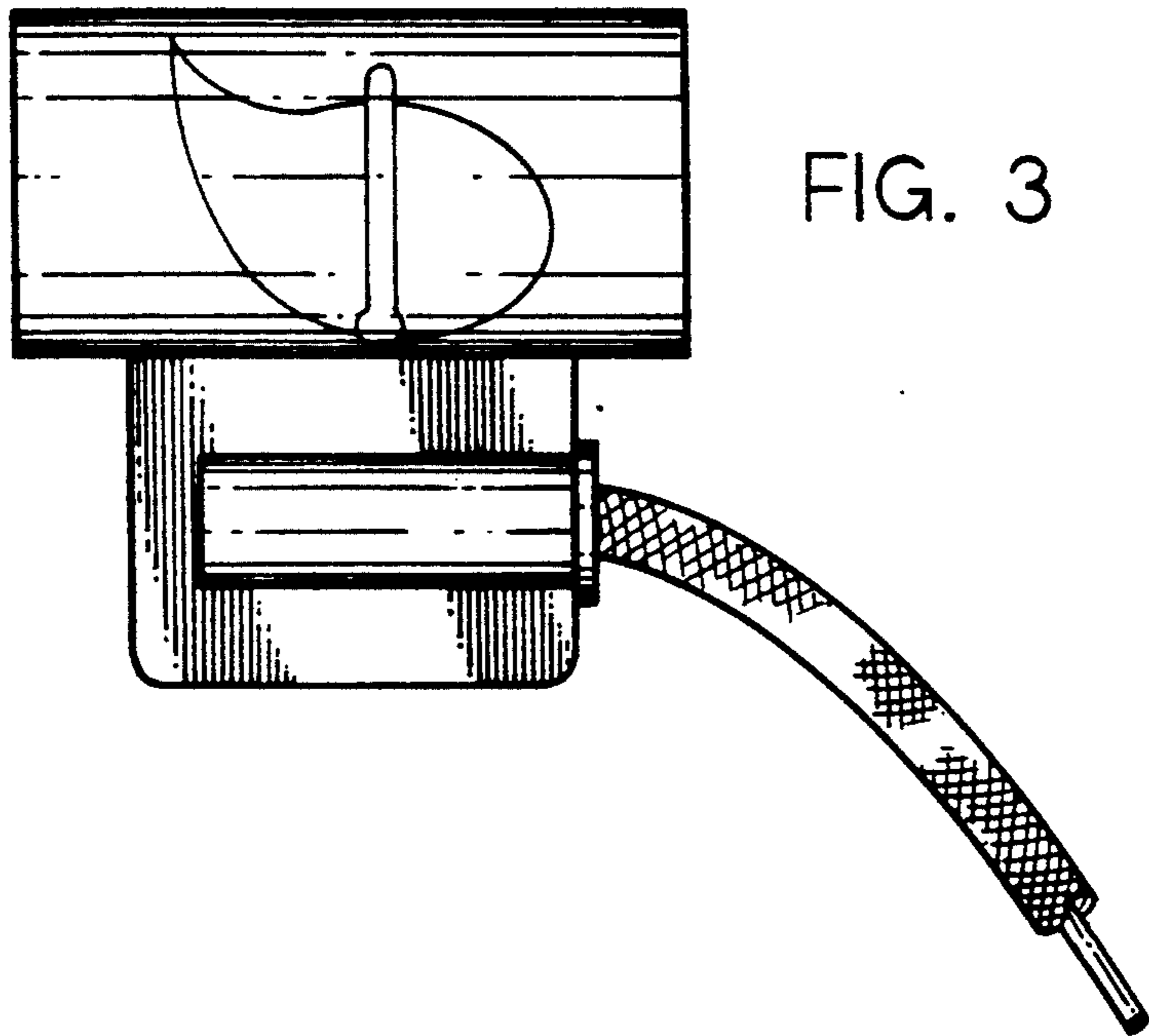


FIG. 3

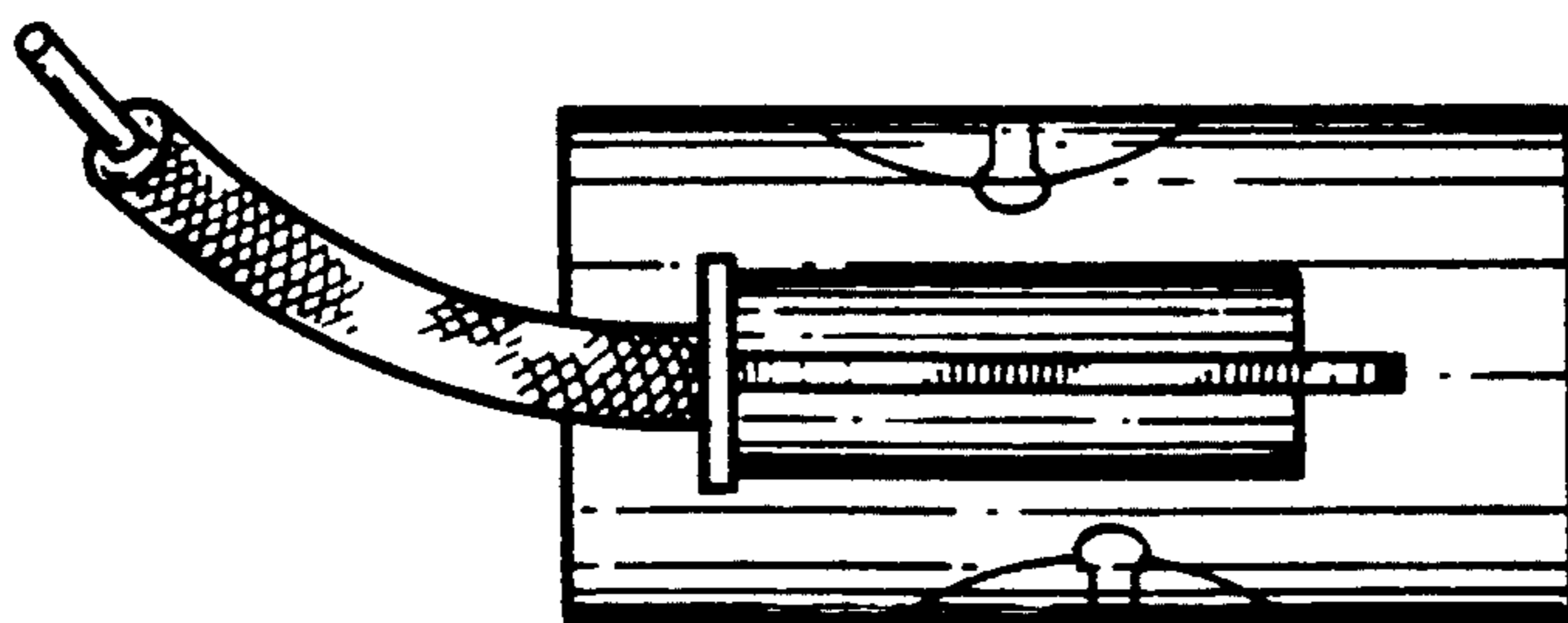


FIG. 7

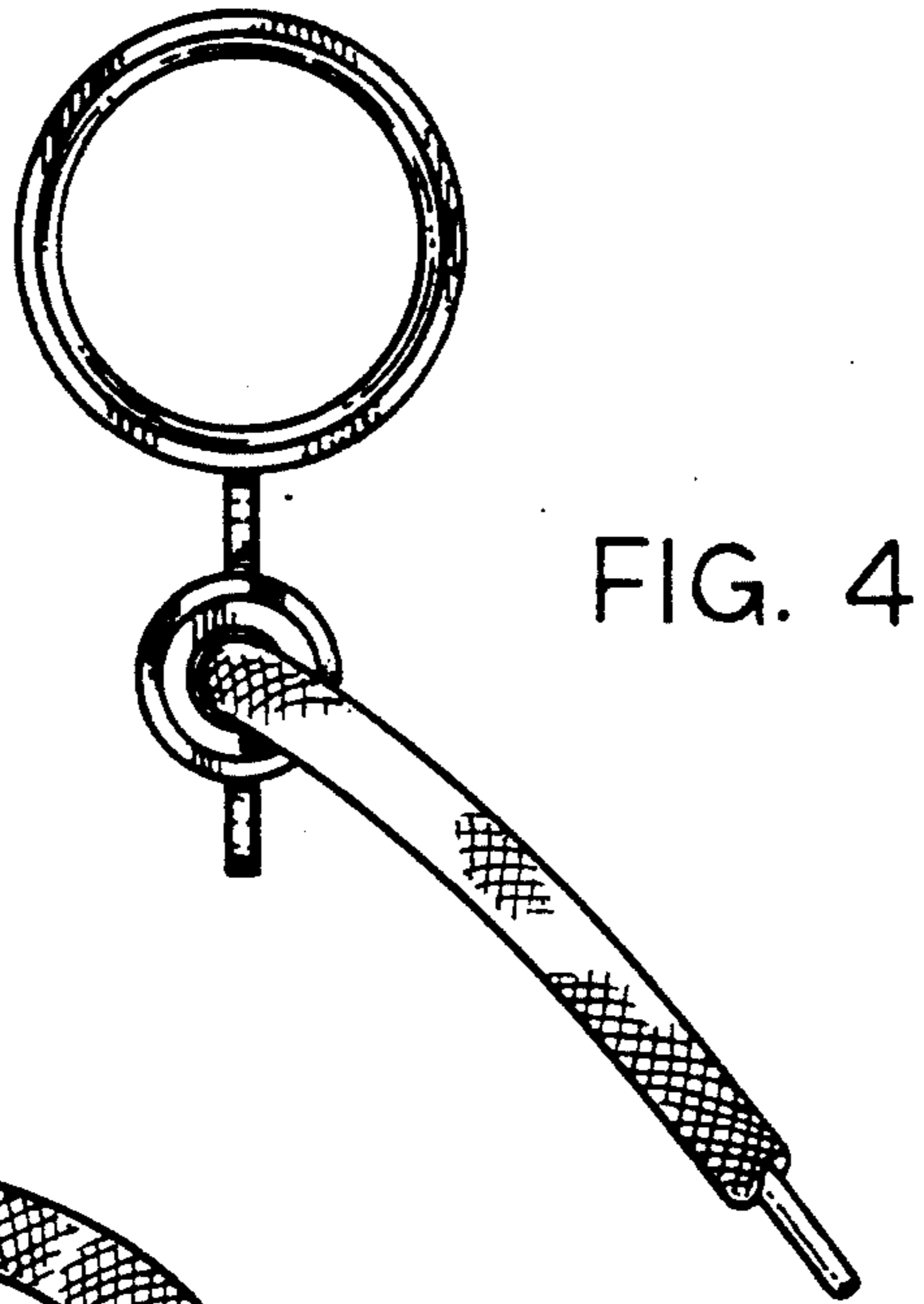


FIG. 4

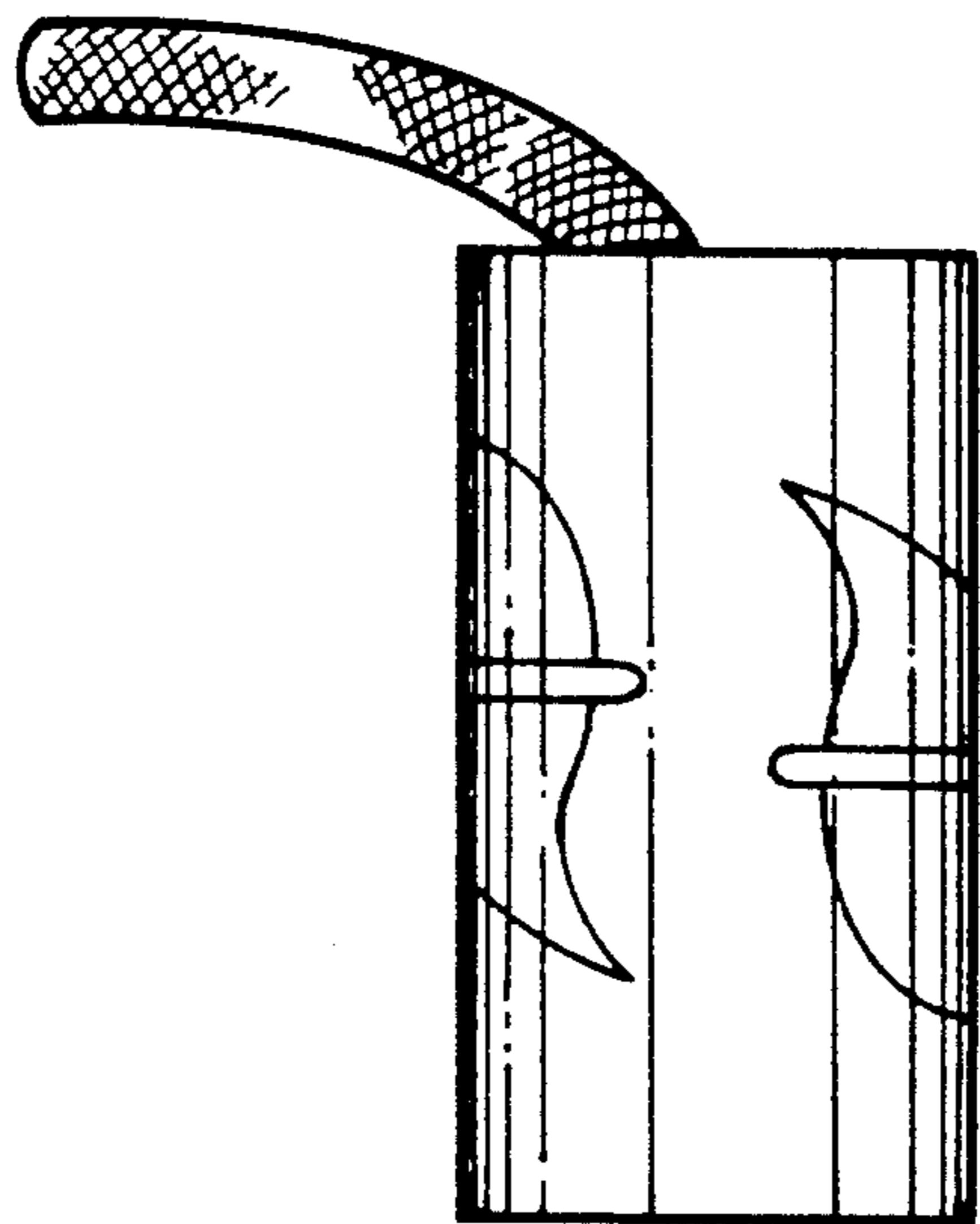


FIG. 6

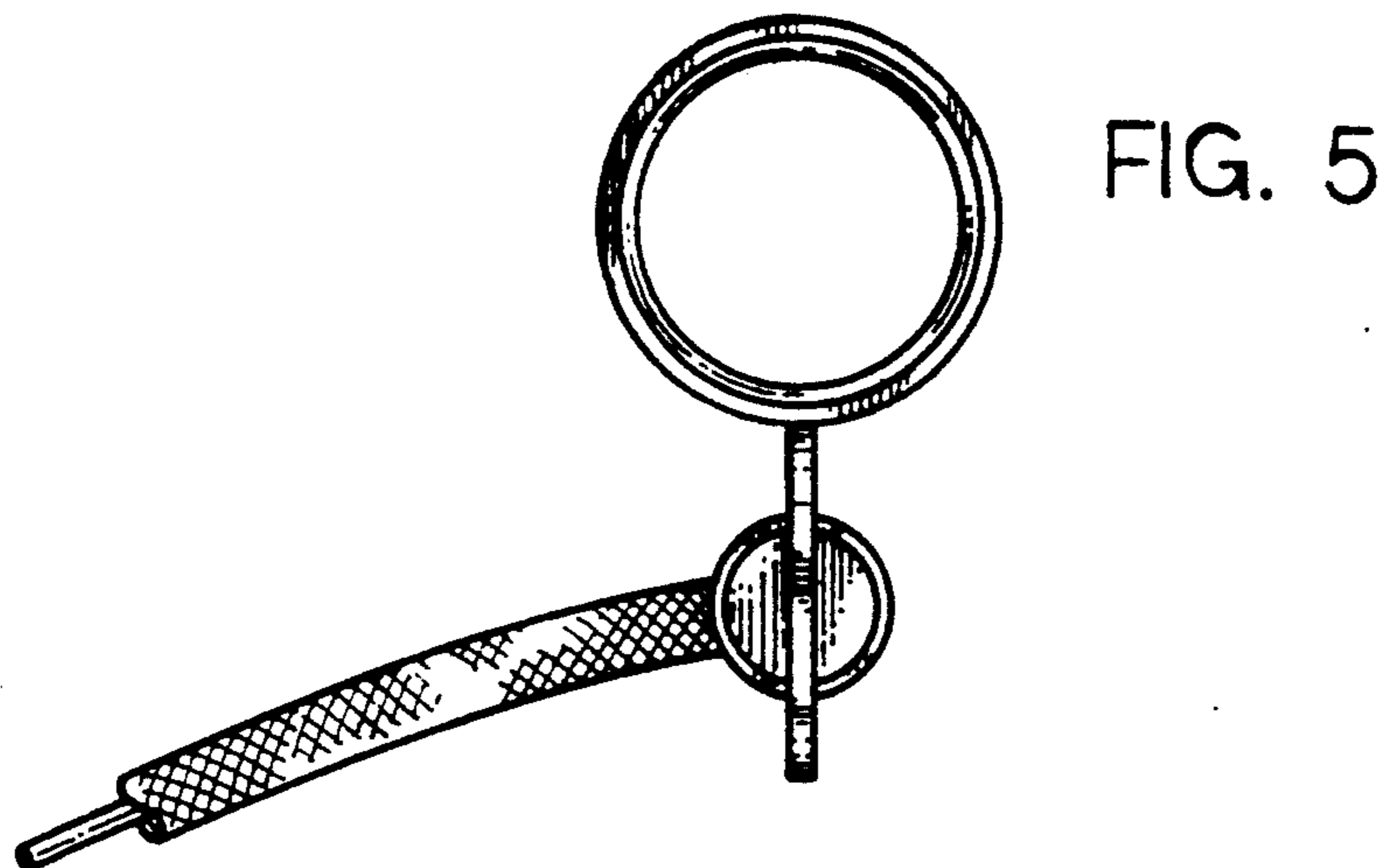


FIG. 5