



US00D337271S

# United States Patent [19]

[11] Patent Number: **Des. 337,271**

**Pezzoli et al.**

[45] Date of Patent: **\*\* Jul. 13, 1993**

[54] **COMBINED BOTTLE AND CAP**

4,827,951	5/1989	Grussmark	.....	D9/300 X
4,832,917	5/1989	Elliott	.....	215/1 R X
4,923,088	5/1990	Tanaka et al.	.....	215/1 R X
4,981,230	1/1991	Marshall et al.	.....	D9/453 X

[75] Inventors: **Paul A. Pezzoli**, Worthington;  
**Thomas D. Loughrin**, Columbus;  
**James C. Lierman**, Dublin, all of  
Ohio

**OTHER PUBLICATIONS**

[73] Assignee: **Abbott Laboratories**, Abbott Park,  
Ill.

*Modern Plastics*, Aug. 1984, p. 48, spice jars in photo-  
graph.

[\*\*] Term: **14 Years**

*Primary Examiner*—Bernard Ansher

[21] Appl. No.: **626,869**

*Assistant Examiner*—Lucy Lieberman

[22] Filed: **Dec. 13, 1990**

*Attorney, Agent, or Firm*—Lonnie R. Drayer; Donald O.  
Nickey

[52] U.S. Cl. .... **D9/503; D9/453;**  
**D9/539; D9/547; D9/548**

[57] **CLAIM**

[58] Field of Search ..... **D9/500, 503, 504, 547,**  
**D9/548, 538, 539, 558, 300, 452, 453, 454;**  
**D24/197, 224; 215/1 R, 1 C**

The ornamental design for a combined bottle and cap,  
as shown and described.

**DESCRIPTION**

[56] **References Cited**

FIG. 1 is a perspective view of a combined bottle and  
cap showing our new design;

**U.S. PATENT DOCUMENTS**

- |            |         |                  |       |          |
|------------|---------|------------------|-------|----------|
| D. 202,003 | 8/1965  | Douglas          | ..... | D9/352   |
| D. 251,612 | 4/1979  | Lagergren et al. | ..... | D21/224  |
| D. 253,395 | 11/1979 | Hasegawa et al.  | ..... | D9/500   |
| D. 254,955 | 5/1980  | Hartung et al.   | ..... | D9/406   |
| D. 255,989 | 7/1980  | Lipsz            | ..... | D9/504   |
| D. 256,775 | 9/1980  | Voitl            | ..... | D9/399   |
| D. 260,482 | 9/1981  | Agee             | ..... | D9/352   |
| D. 286,468 | 11/1986 | Fuchs            | ..... | D9/547 X |
| D. 300,511 | 4/1989  | Cramer           | ..... | D9/396   |
| 3,645,262  | 2/1972  | Harrigan         | ..... | 128/222  |

FIG. 2 is a front elevation view thereof, the rear being  
the same;

FIG. 3 is a top plan view thereof;

FIG. 4 being a bottom plan view thereof;

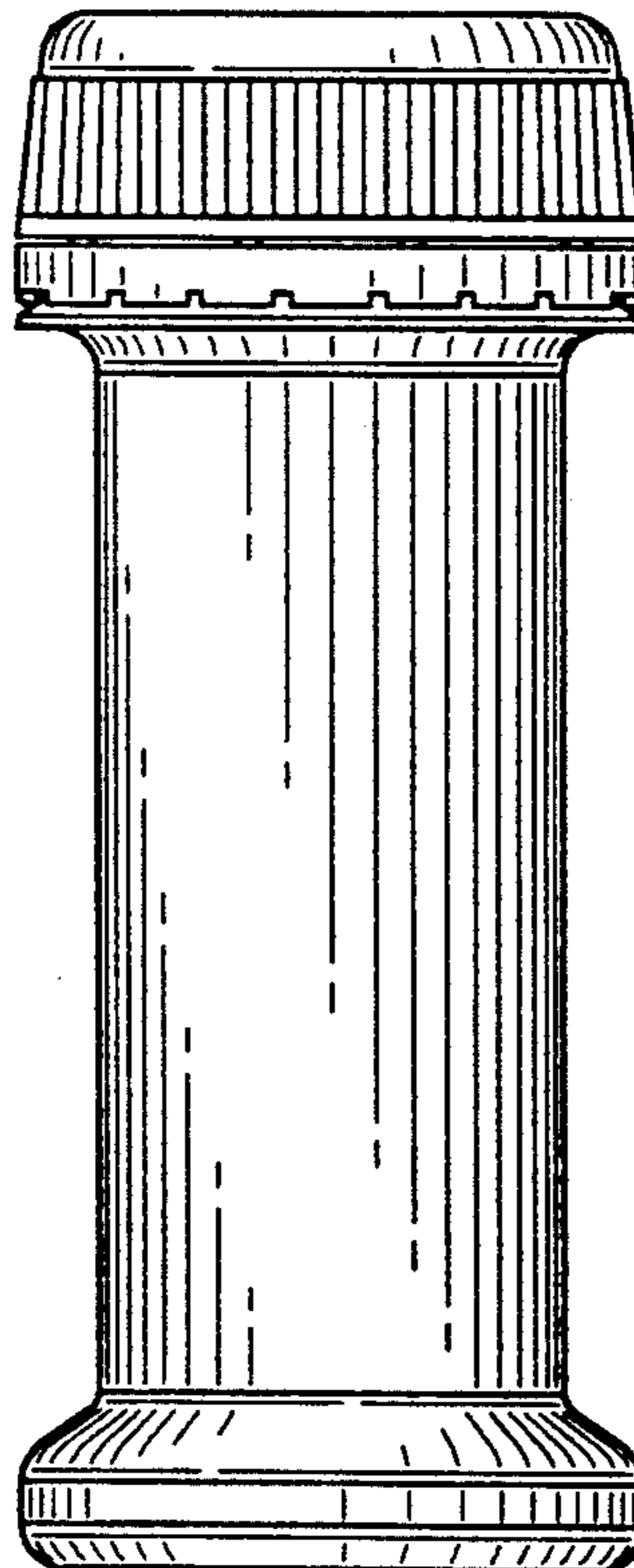
FIG. 5 is a perspective view of a bottle and cap showing  
a second embodiment of our new design;

FIG. 6 is a front elevation view thereof;

FIG. 7 is a rear elevation view thereof;

FIG. 8 is a top plan view thereof; and,

FIG. 9 is a bottom plan view thereof.



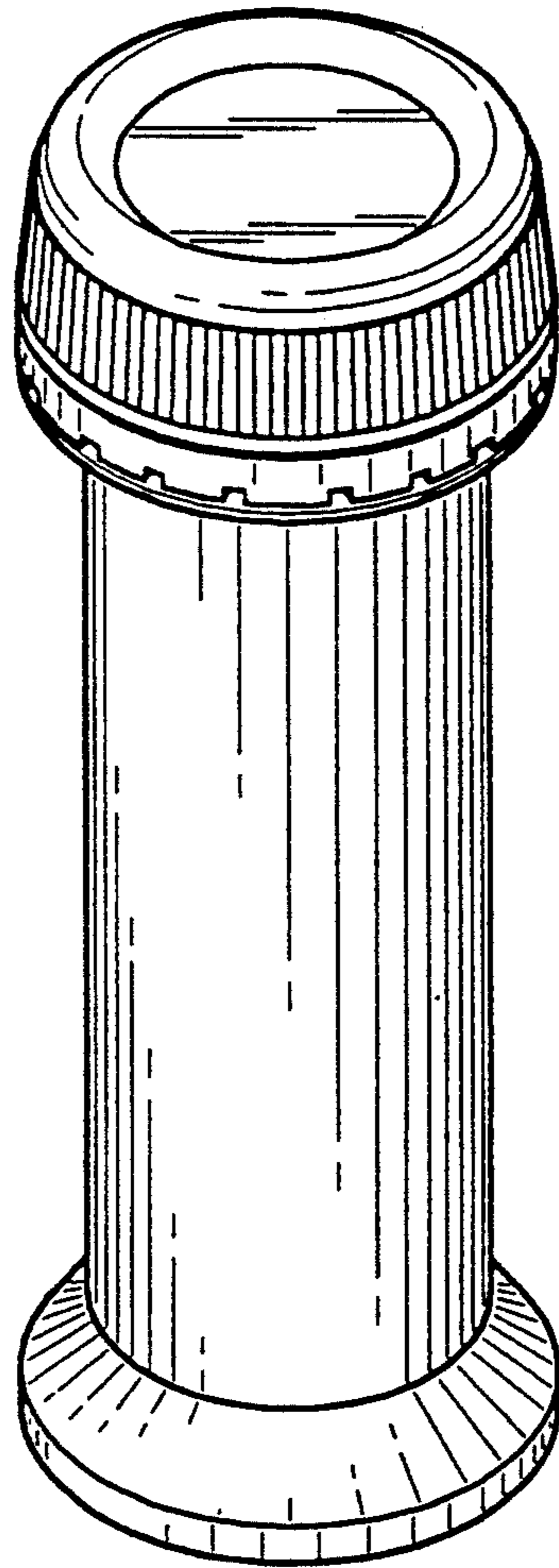


FIG-1

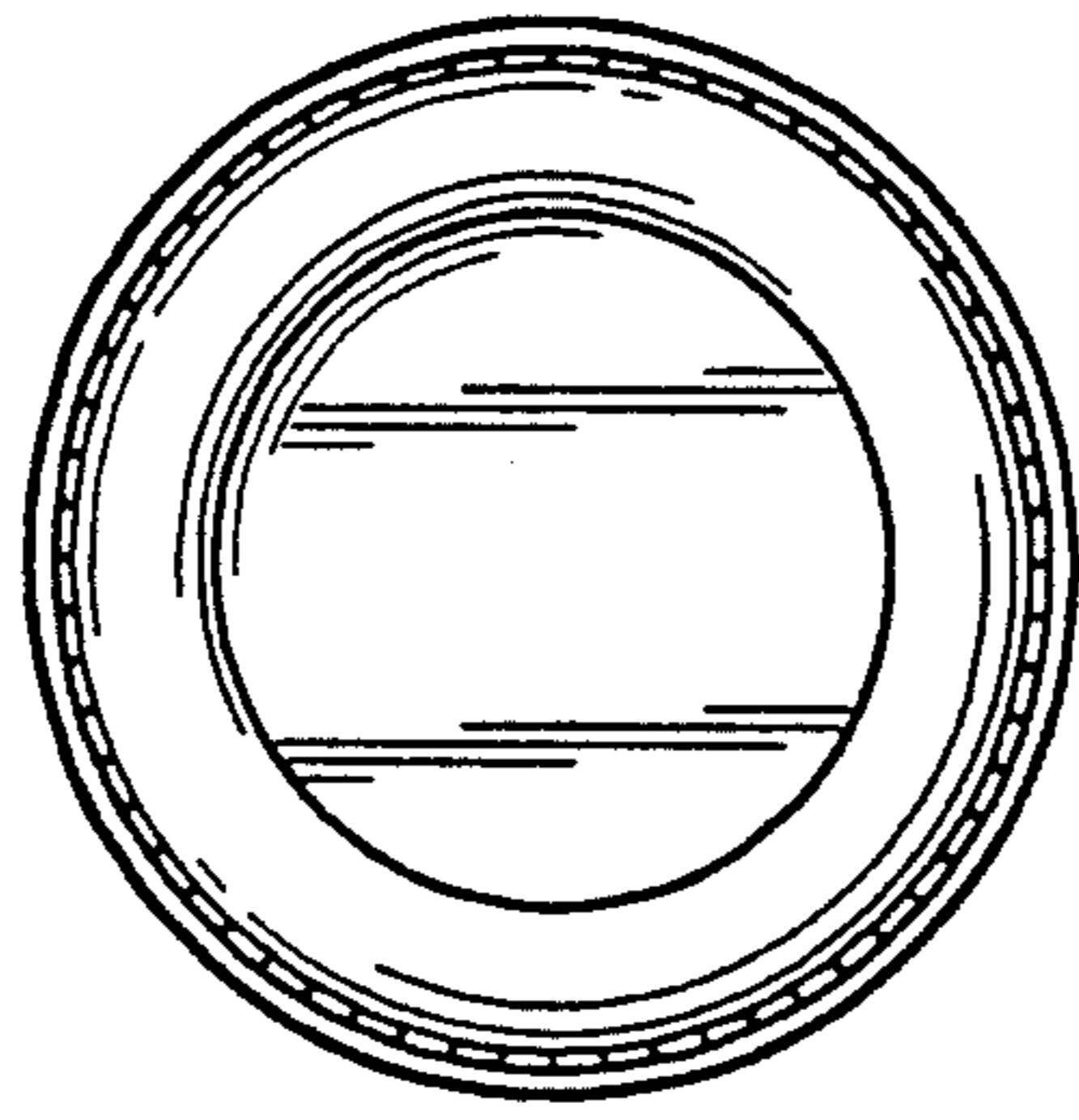


FIG-3

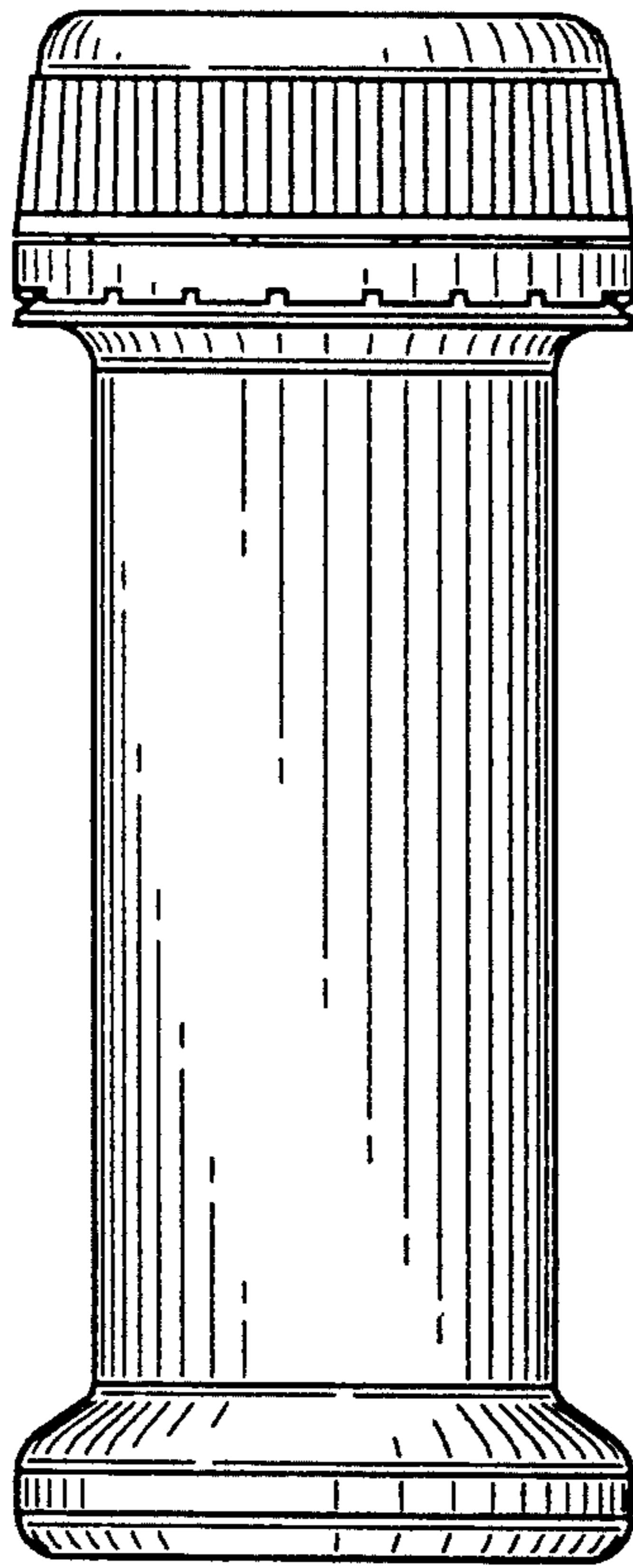


FIG-2

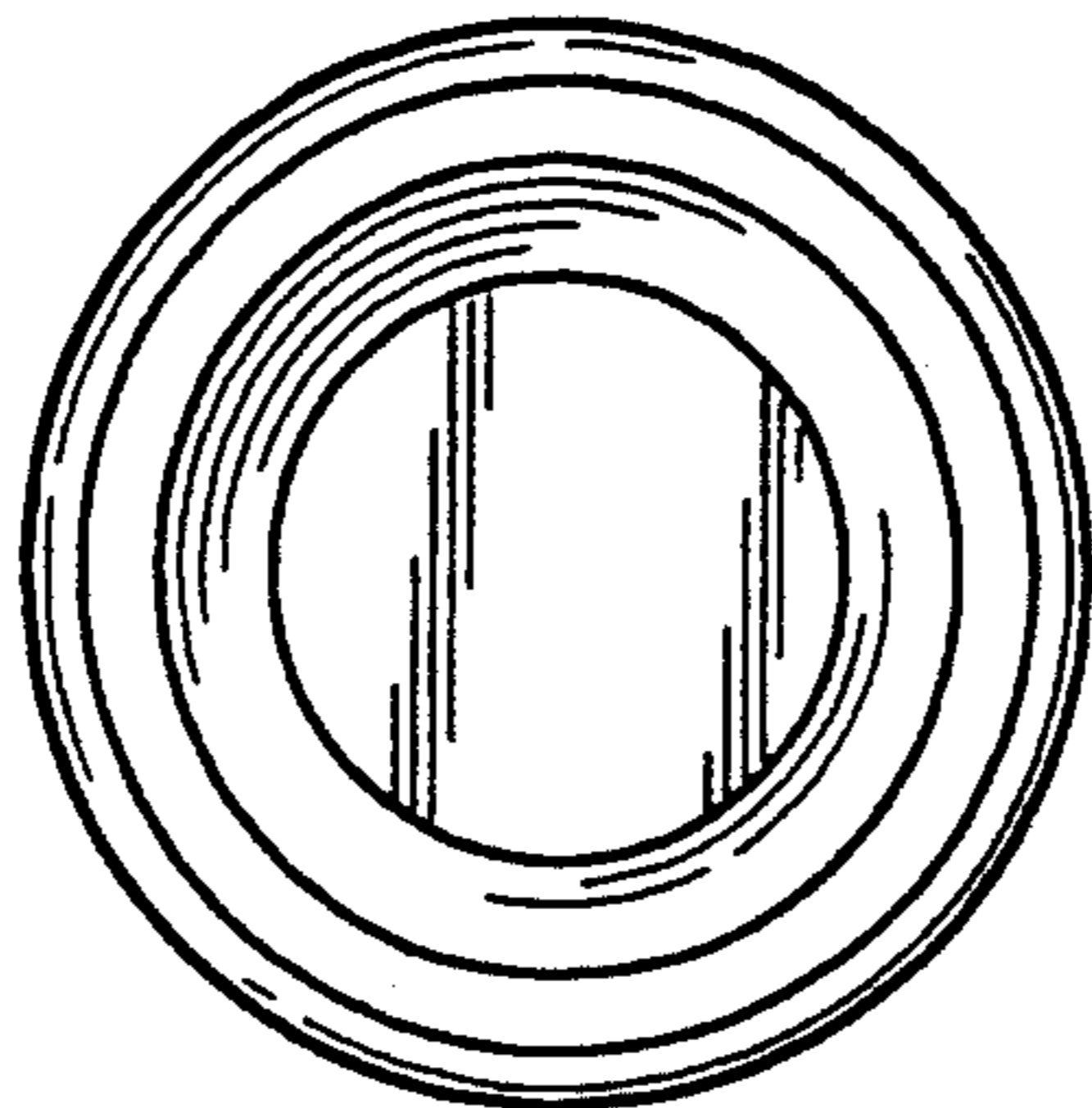


FIG-4

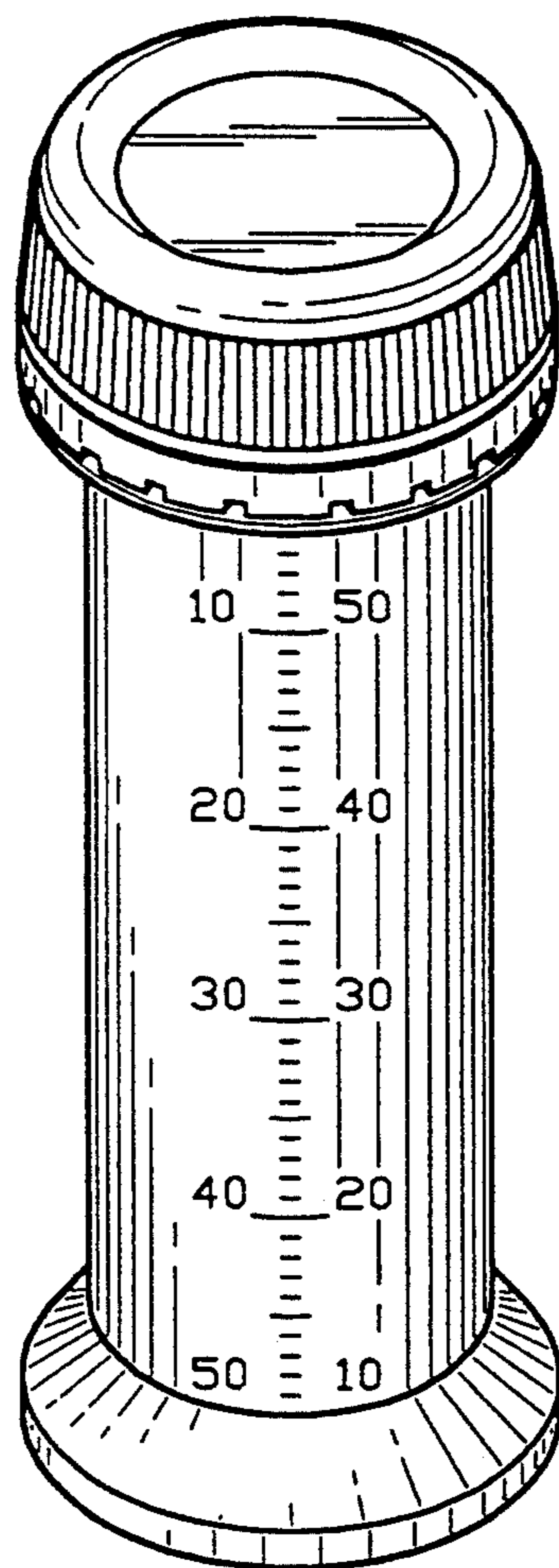


FIG-5

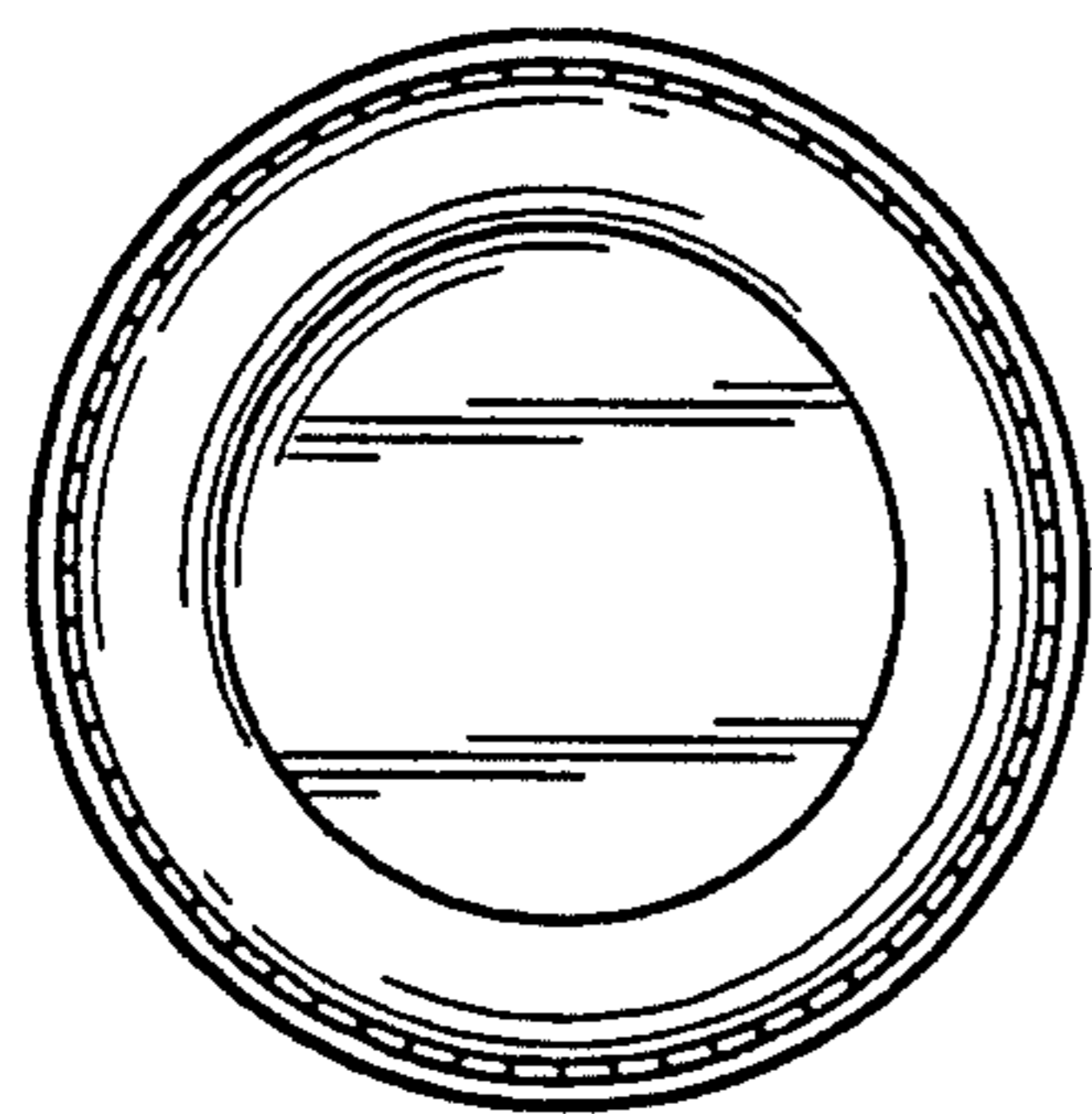


FIG-8

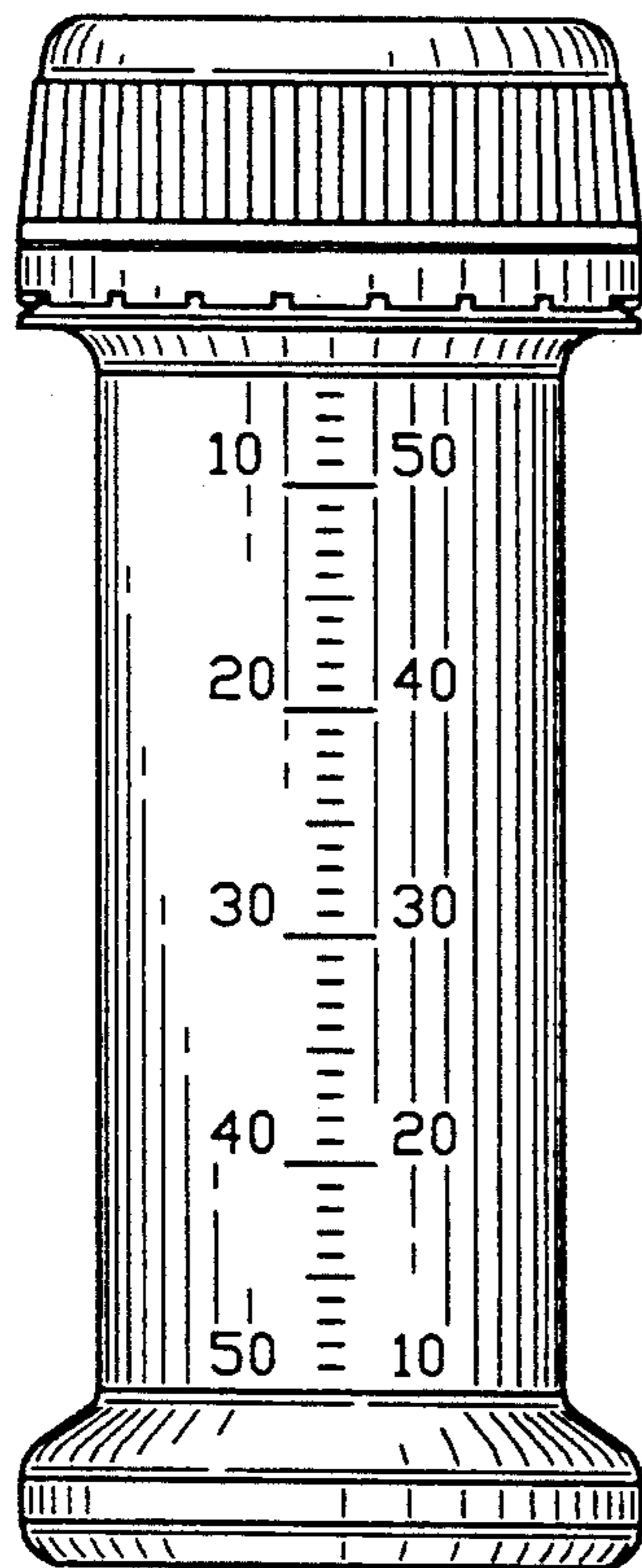


FIG-6

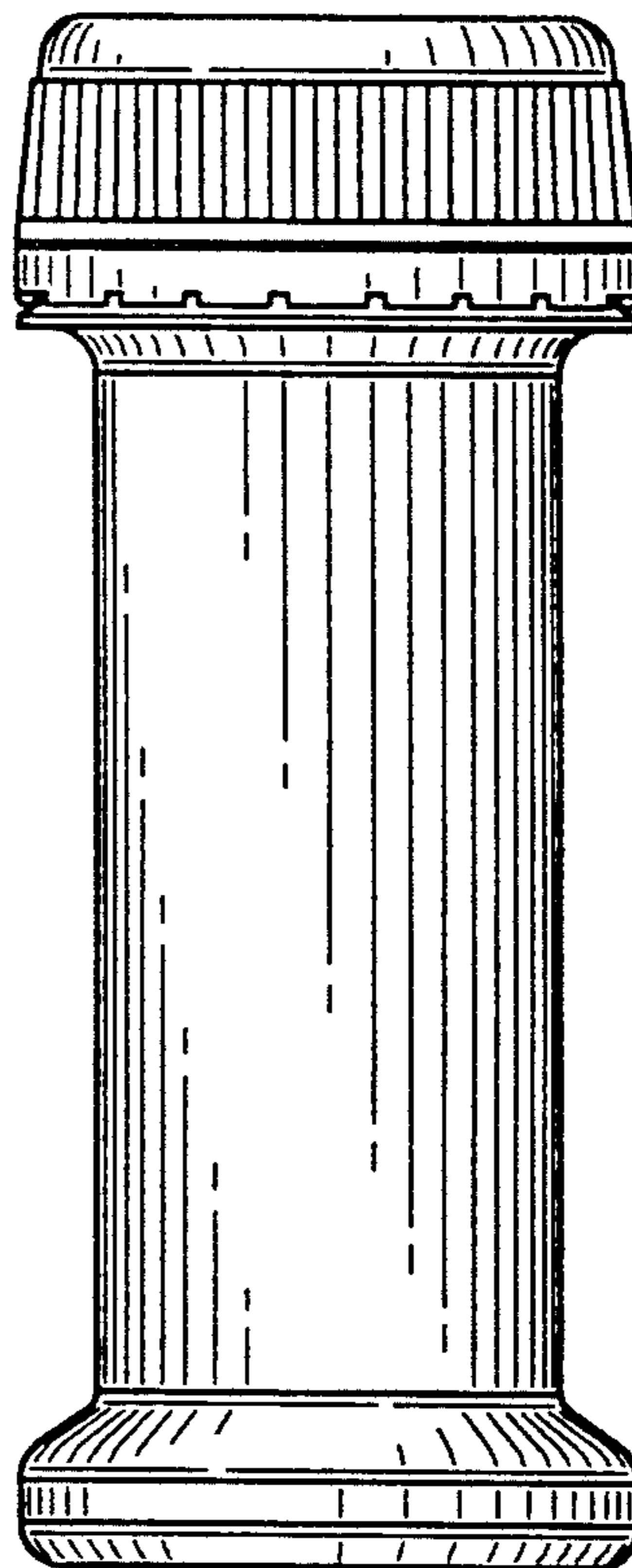


FIG-7

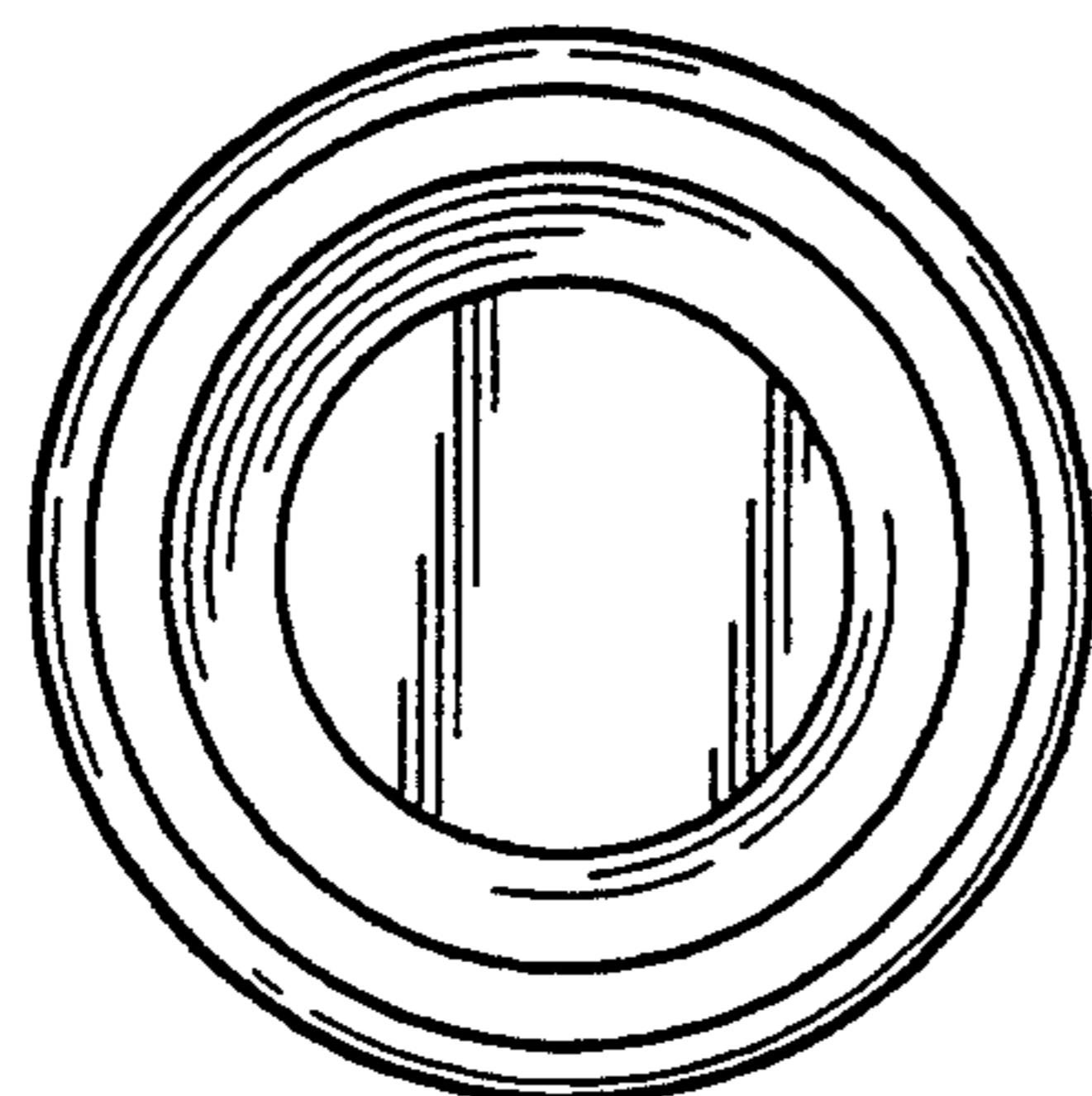


FIG-9