



US00D337255S

United States Patent [19]

[11] Patent Number: Des. 337,255

Novelli, Sr.

[45] Date of Patent: ** Jul. 13, 1993

[54] GROMMET

[76] Inventor: Frank J. Novelli, Sr., 2031 Johanna #C-4, Houston, Tex. 77055

[**] Term: 14 Years

[21] Appl. No.: 526,602

[22] Filed: May 22, 1990

[52] U.S. Cl. D8/356; D8/382; D8/388

[58] Field of Search D8/356, 382, 388, 399; 16/2; 24/453, 588; 174/656, 152 G, 153 G; 411/455, 510, 908

4,664,574	5/1987	Kasai .	
4,759,670	7/1988	Linder .	
4,761,860	8/1988	Krauss .	
4,776,739	10/1988	Hamman	411/510
4,810,147	3/1989	Hirohata	24/453
4,823,978	4/1989	Pufpaff .	
4,840,523	6/1989	Oshida	411/908
4,861,208	8/1989	Boundy	411/510

OTHER PUBLICATIONS

Design Notebook p. 1 (from Machre Design, Jan. 7, 1965 Snap-In Fasteners, step stud, center.

Primary Examiner—Bernard Ansher

Assistant Examiner—Sandra Morris

[56] References Cited

U.S. PATENT DOCUMENTS

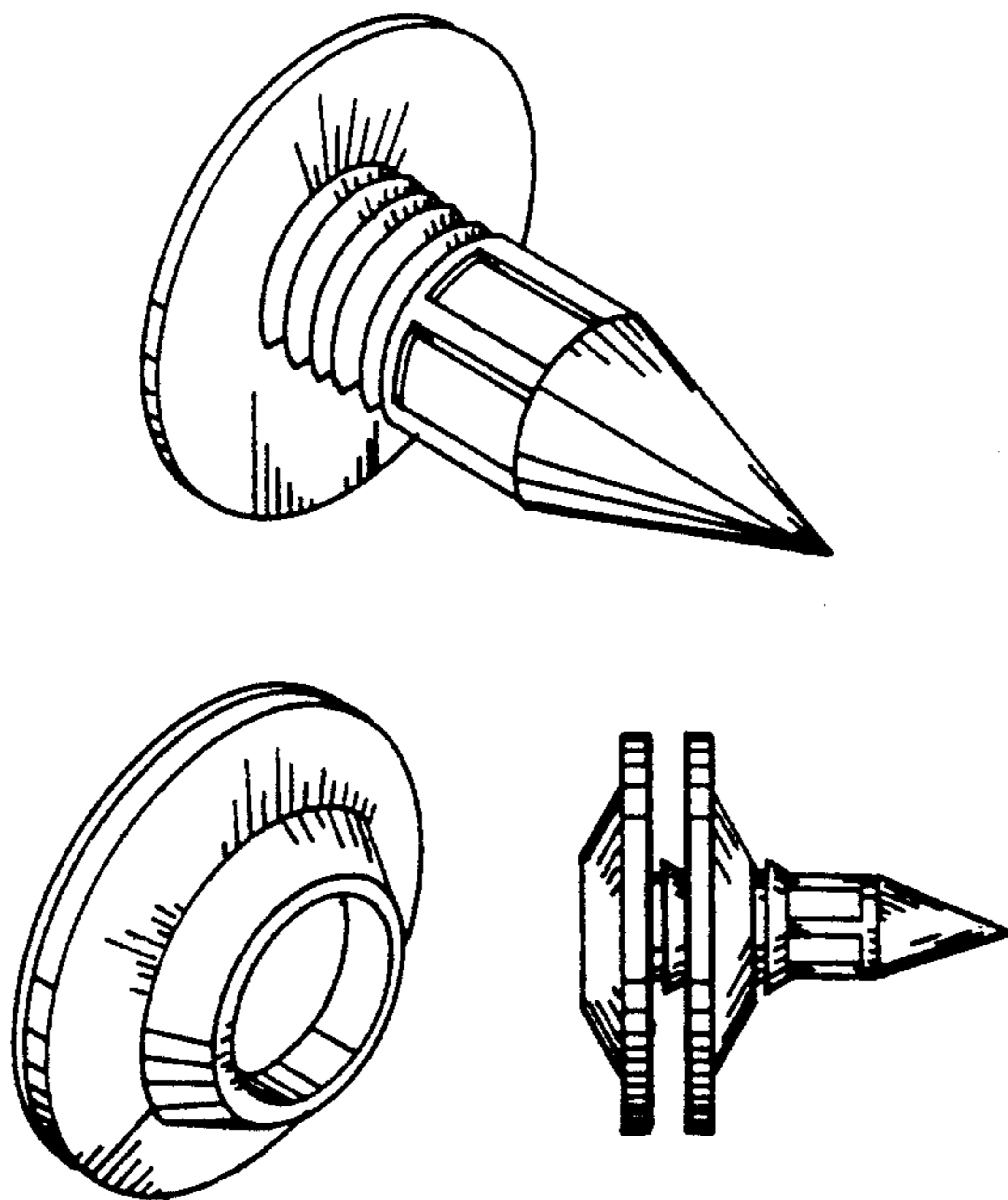
172,094	1/1876	Curran .	
D. 268,006	2/1983	Wollar	D8/382
D. 293,884	1/1988	Hirohata	D8/382
D. 298,736	11/1988	Shiraishi	D8/382
D. 298,801	12/1988	Satoh	D8/382
1,235,184	7/1917	Casbarian .	
2,780,128	2/1951	Rapata	411/510
3,487,745	1/1970	Brunelle .	
4,138,921	2/1979	McGavran et al. .	
4,396,329	8/1983	Wollar	411/510
4,397,061	8/1983	Kanzaka .	
4,601,625	7/1986	Ernst et al. .	

[57] CLAIM

The ornamental design for a grommet, as shown and described.

DESCRIPTION

FIG. 1 is an exploded front perspective view of the male member of a grommet, showing my new design; FIG. 2 is an exploded front perspective view of the female member; FIG. 3 is an exploded rear perspective view of FIG. 2; FIG. 4 is an exploded rear perspective view of FIG. 1; and, FIG. 5 is a right side elevational view of the grommet fully assembled.



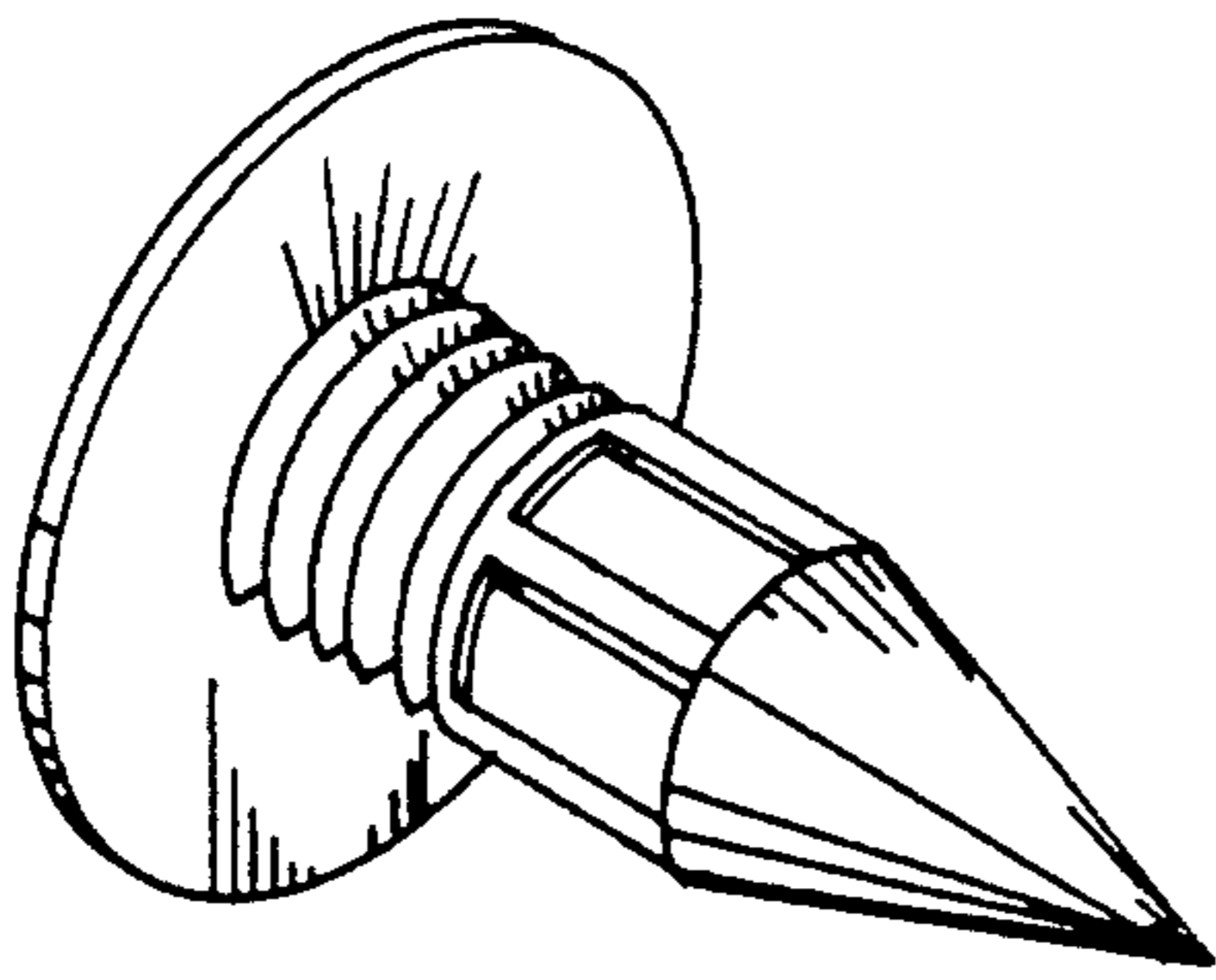


FIG. 1

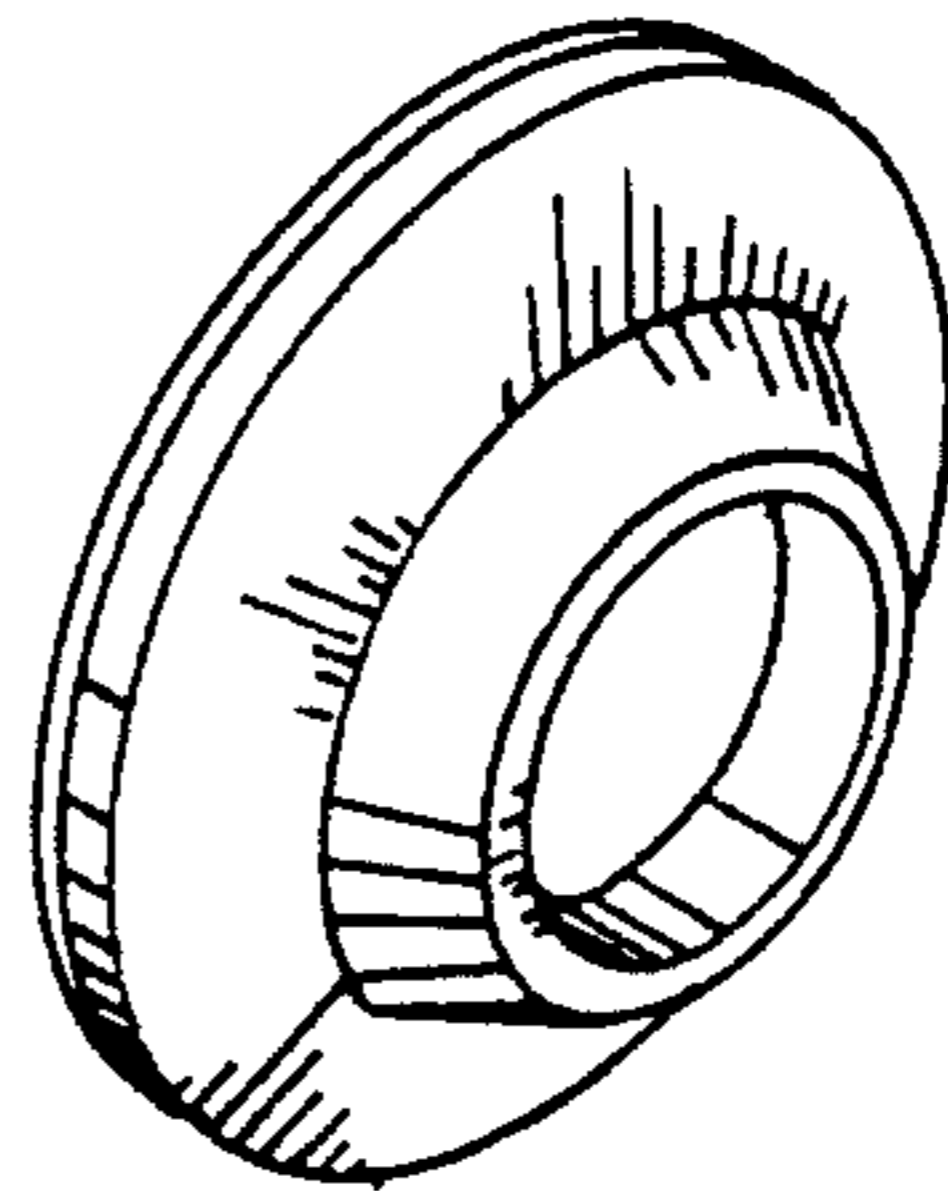


FIG. 2

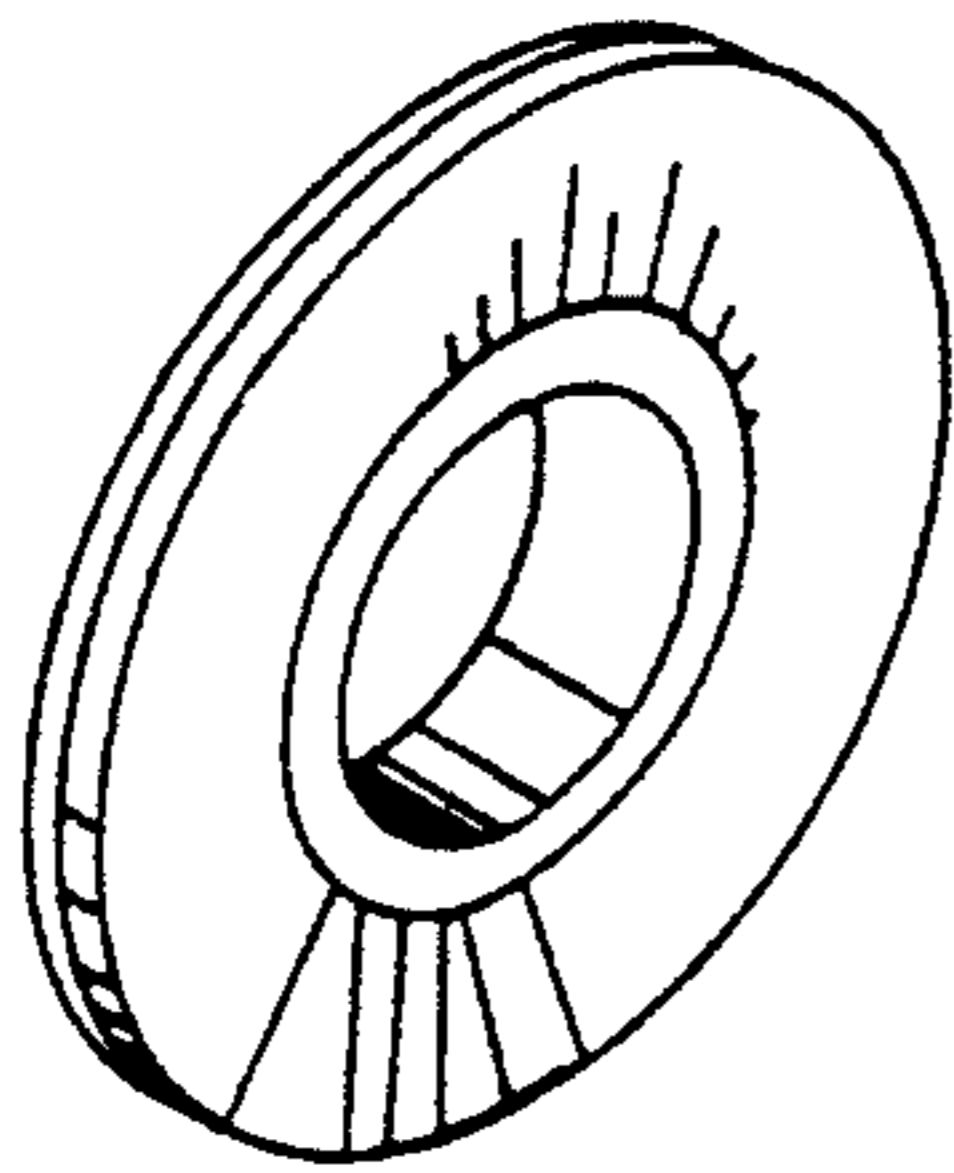


FIG. 3

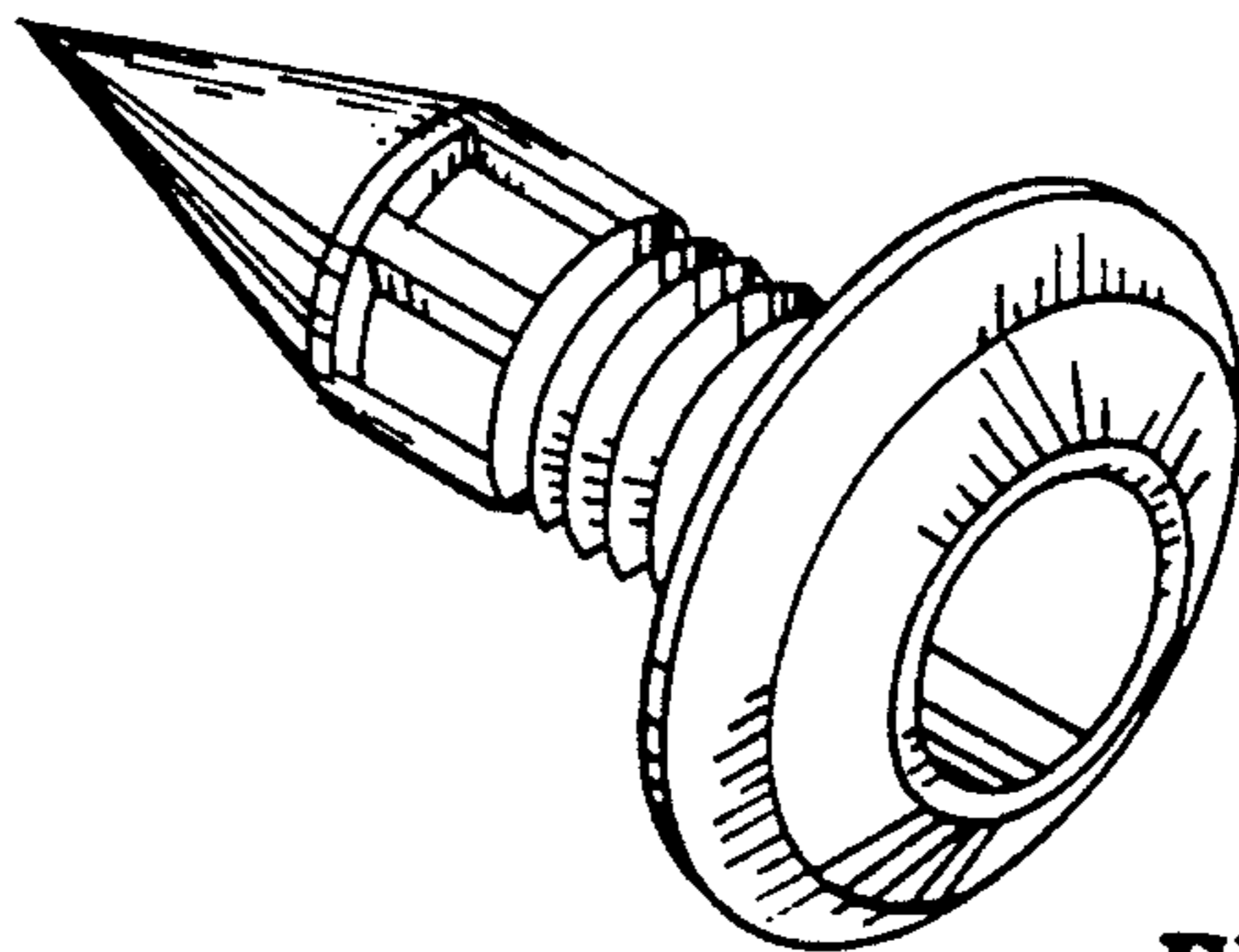


FIG. 4

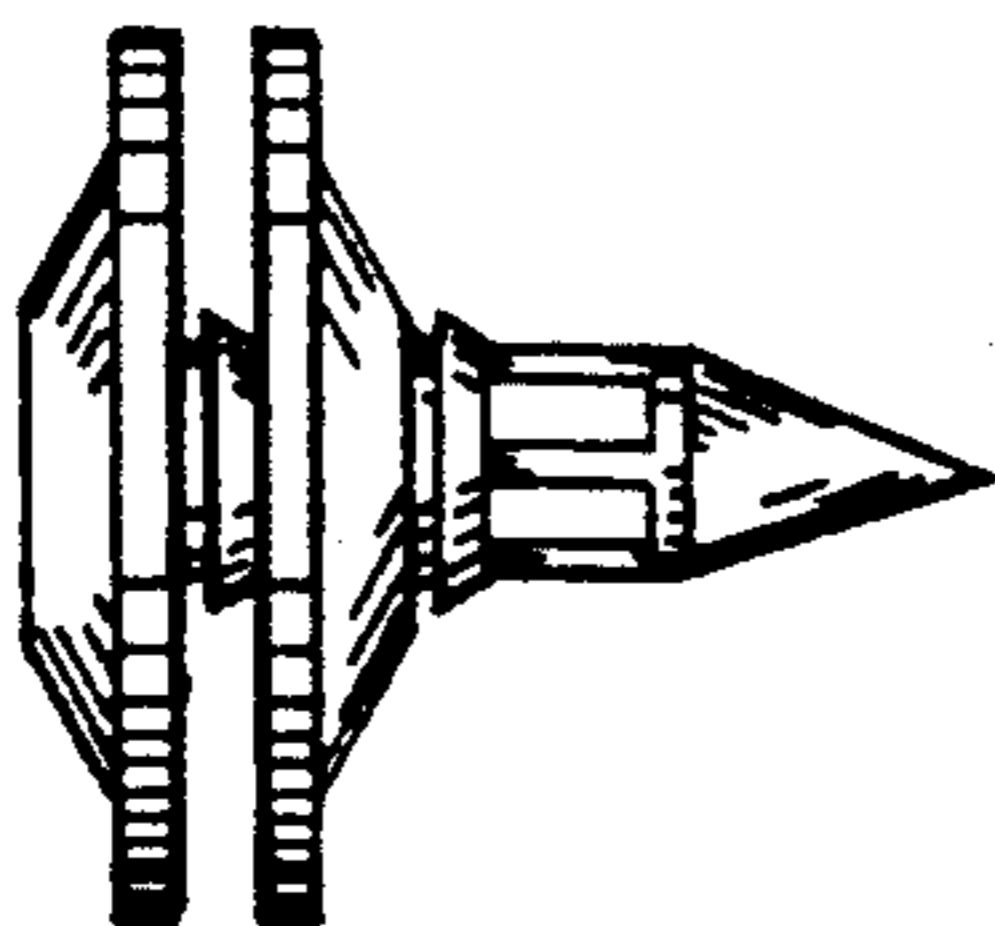


FIG. 5