



US00D337252S

United States Patent [19]

Tsuru et al.

[11] Patent Number: **Des. 337,252**

[45] Date of Patent: **** Jul. 13, 1993**

[54] **NAILING MACHINE**

4,673,318 6/1987 Hornung et al. 173/170

[75] Inventors: **Hitoshi Tsuru, Hiroshima; Toshiaki Saito, Tokyo, both of Japan**

FOREIGN PATENT DOCUMENTS

458306 5/1977 Japan .

624457 2/1984 Japan .

[73] Assignee: **Ryobi Ltd., Hiroshima, Japan**

[**] Term: **14 Years**

Primary Examiner—Alan P. Douglas

Assistant Examiner—J. H. Musgrove

Attorney, Agent, or Firm—Sughrue, Mion, Zinn,

Macpeak & Seas

[21] Appl. No.: **727,160**

[22] Filed: **Jul. 9, 1991**

[57] CLAIM

[30] Foreign Application Priority Data

Jan. 11, 1991 [JP] Japan 3-422

The ornamental design for a nailing machine, as shown.

[52] U.S. Cl. **D8/69**

DESCRIPTION

[58] Field of Search D8/61, 68, 69; 227/2, 227/8, 125, 126, 127, 130

FIG. 1 is a front, bottom and right side perspective view of nailing machine showing our new design;

FIG. 2 is a right side elevational view thereof;

FIG. 3 is a left side elevational view thereof;

FIG. 4 is a front elevational view thereof;

FIG. 5 is a rear elevational view thereof;

FIG. 6 is a top plan view thereof; and,

FIG. 7 is a bottom plan view thereof.

[56] References Cited

U.S. PATENT DOCUMENTS

D. 323,964 2/1992 Ogawa et al. D8/69

3,708,095 1/1973 Briggs, Jr. 227/126

3,734,379 5/1973 Powers 227/127

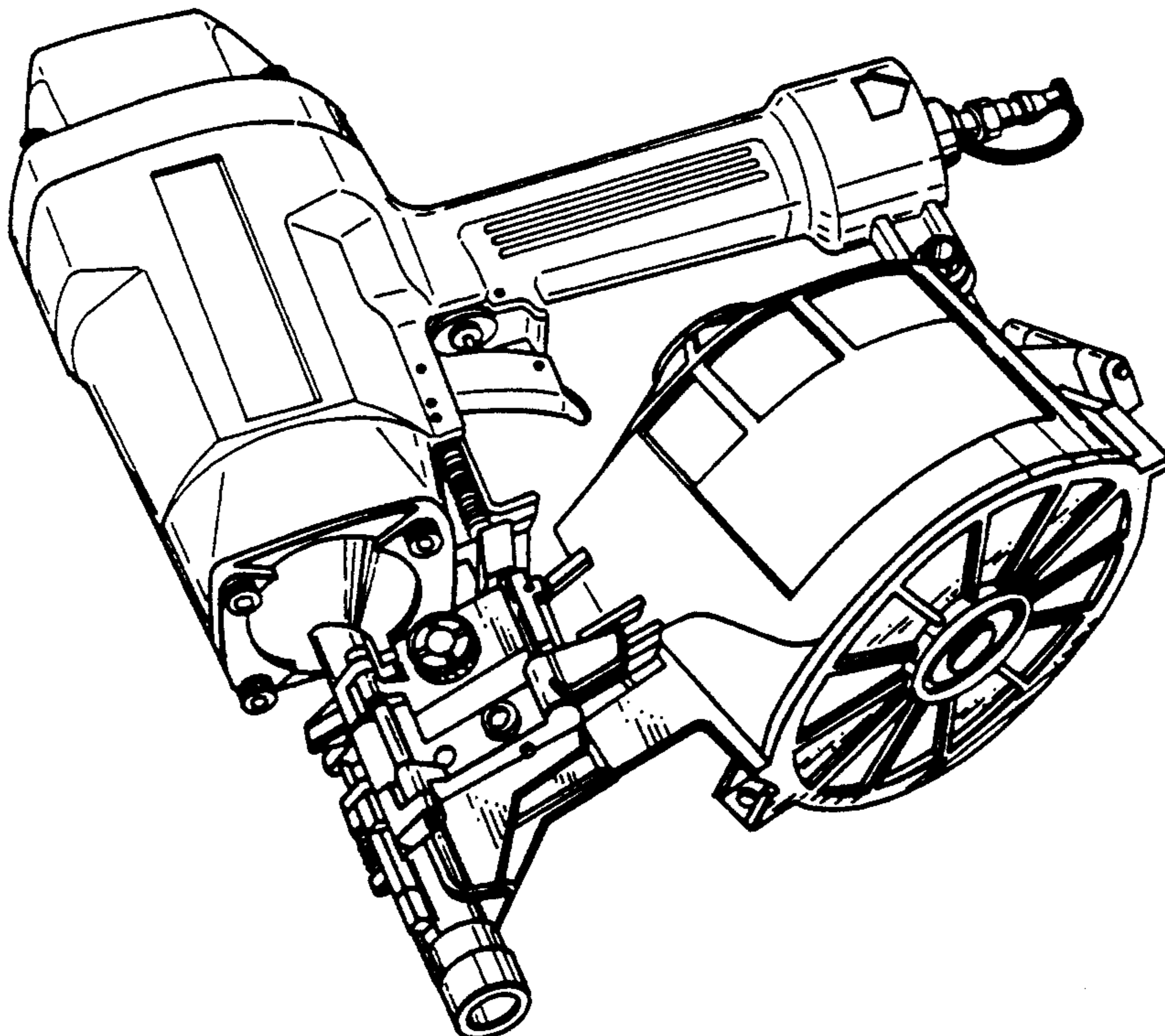


Fig. 1

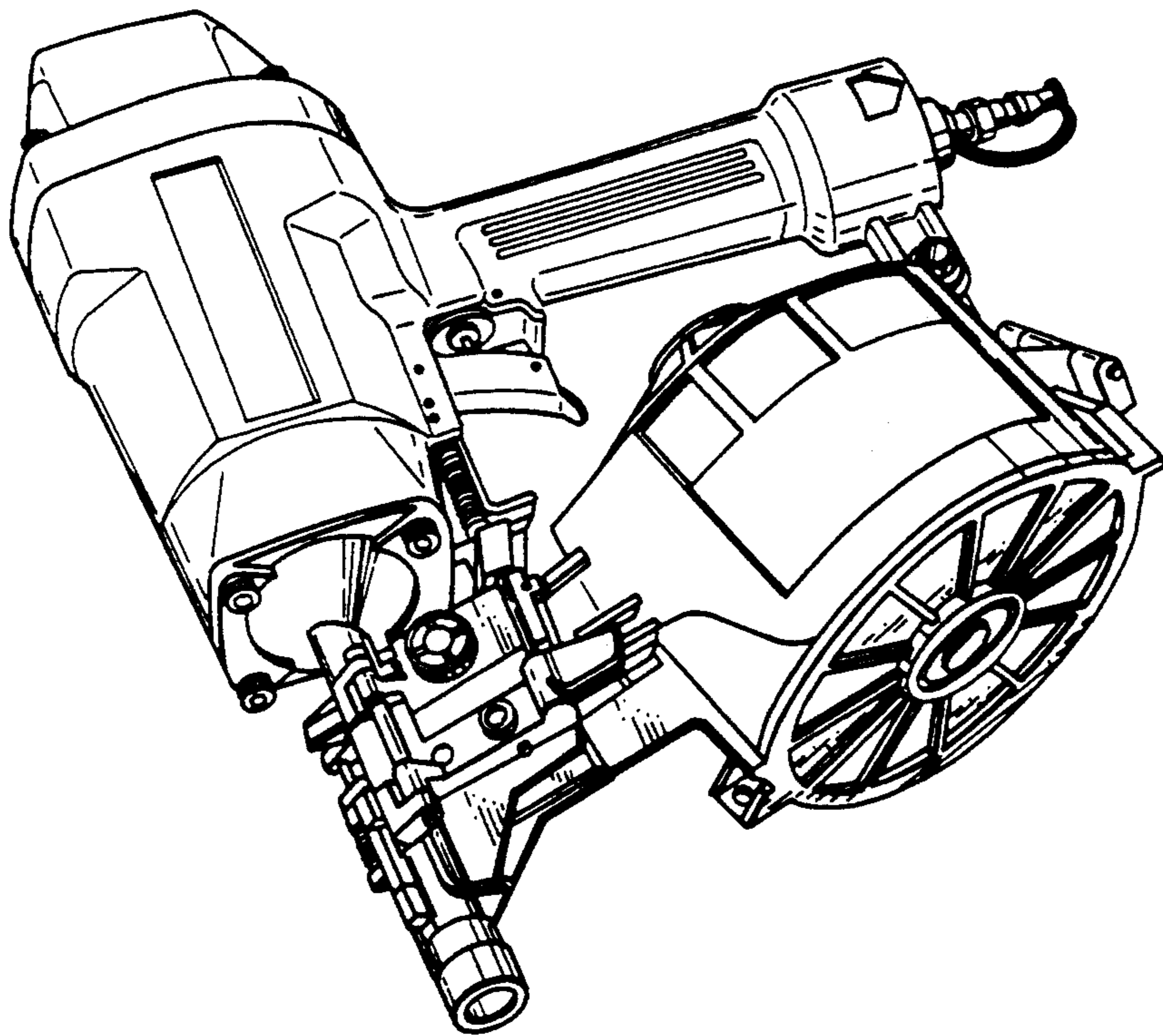


Fig. 2

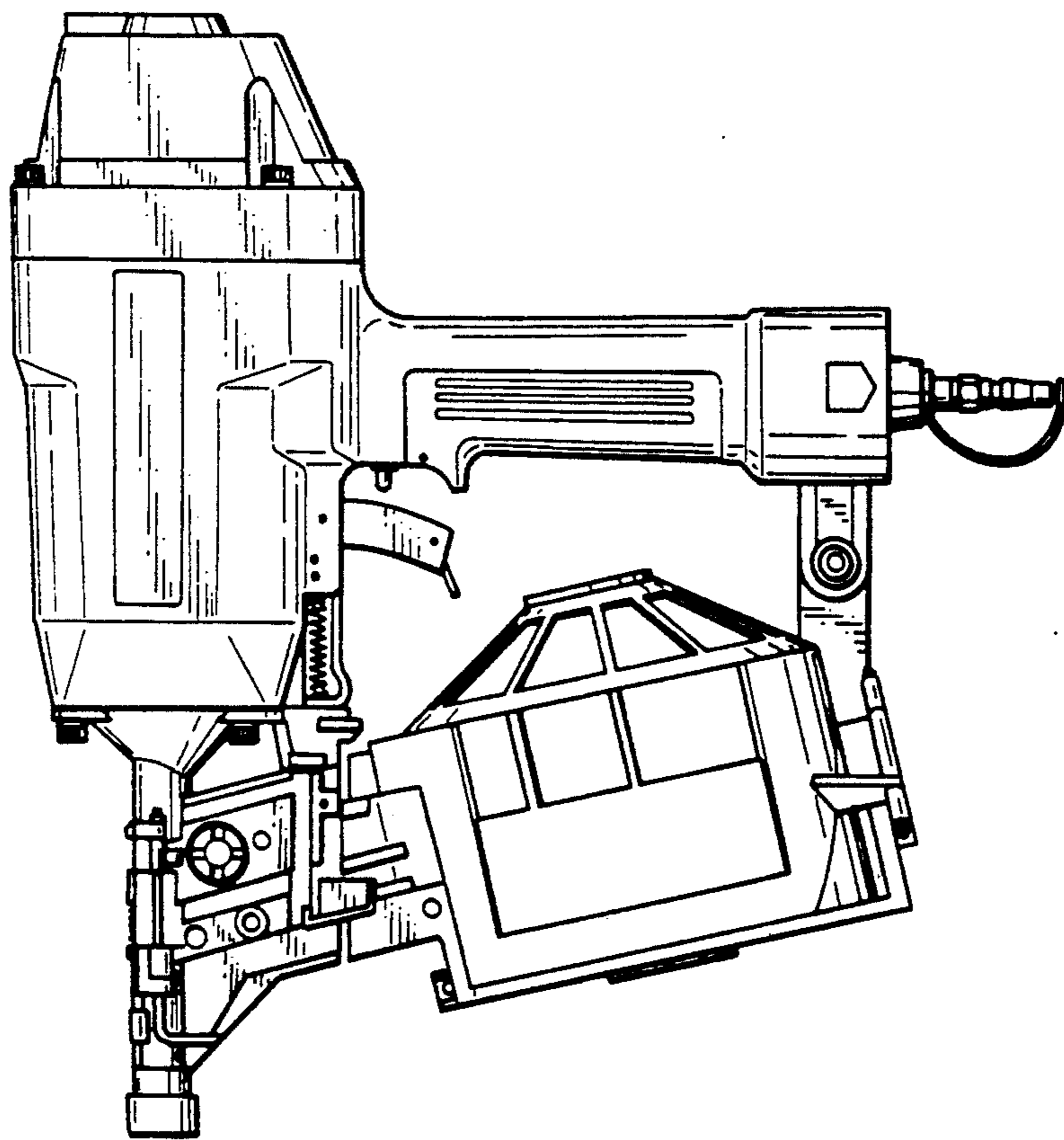


Fig. 3

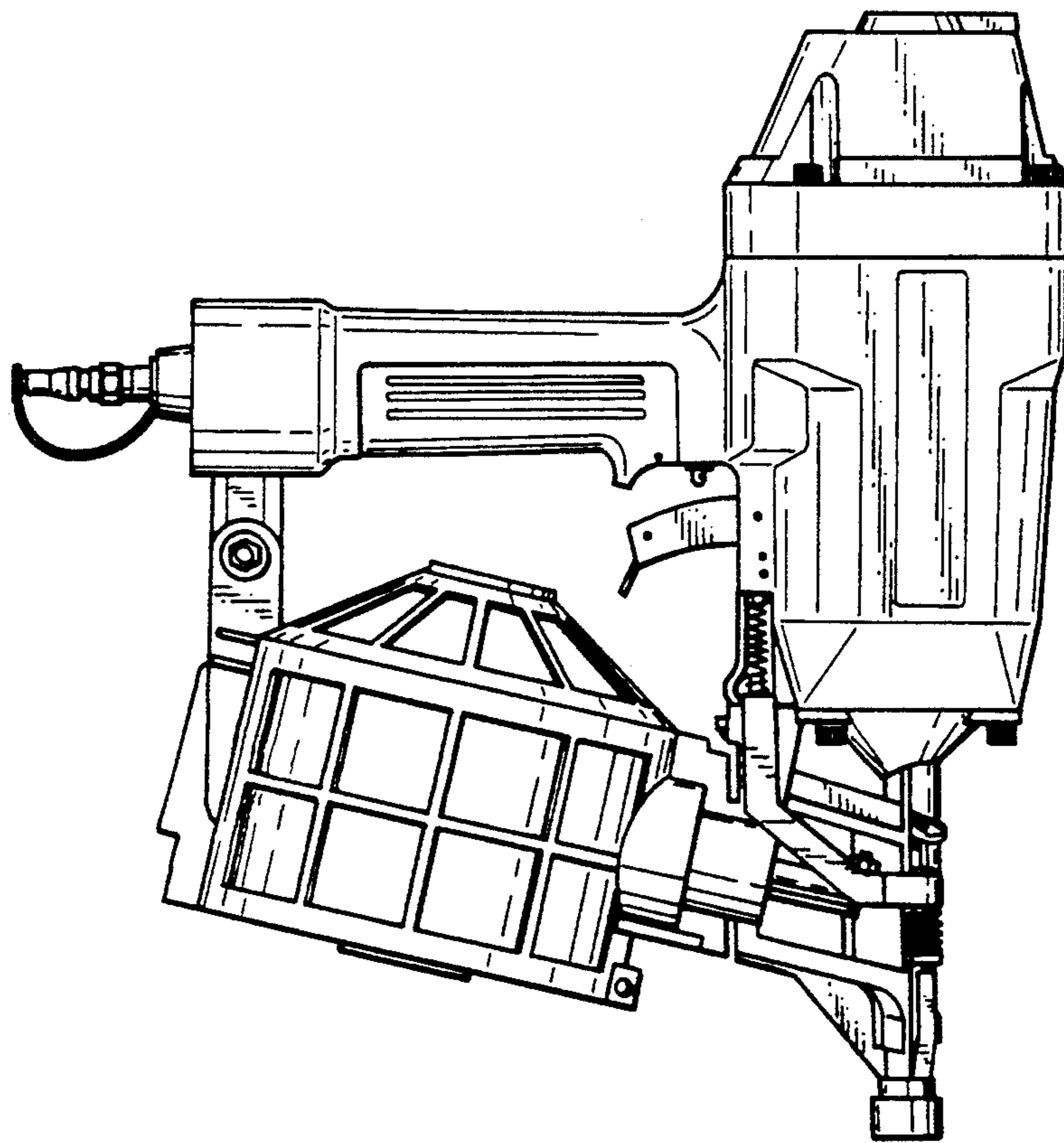


Fig. 4

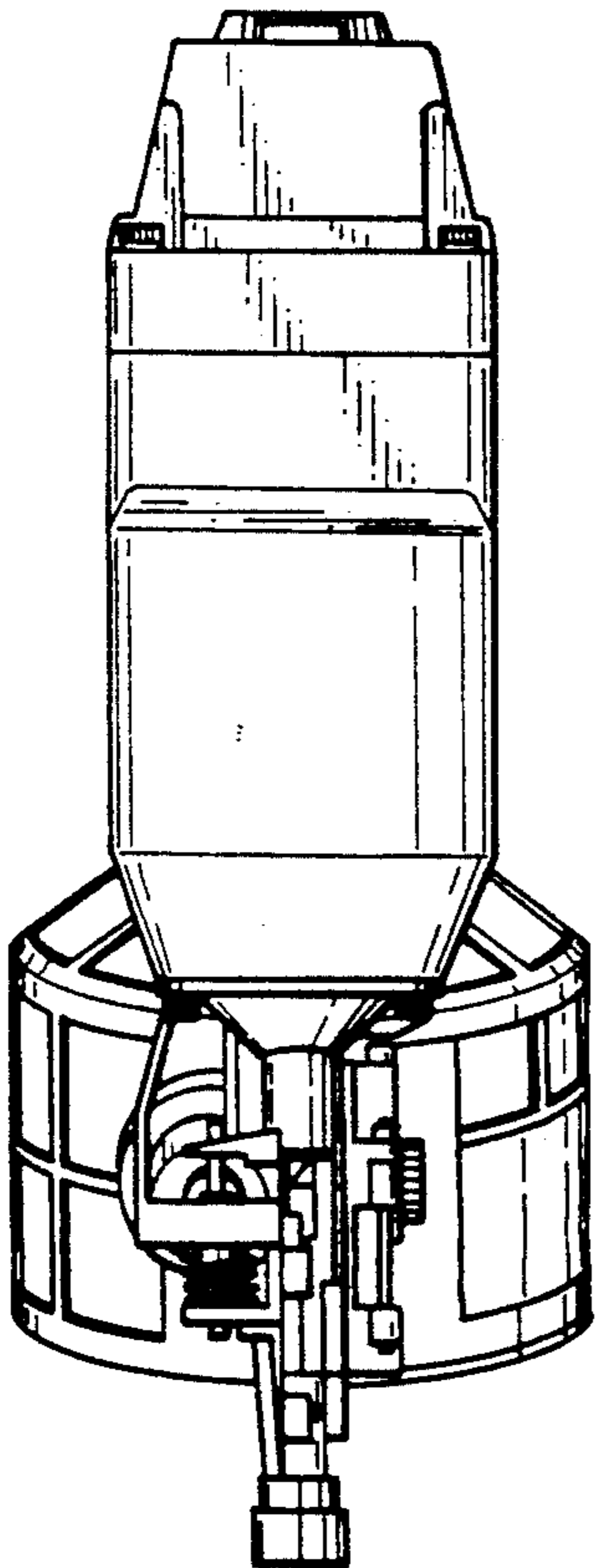


Fig. 5

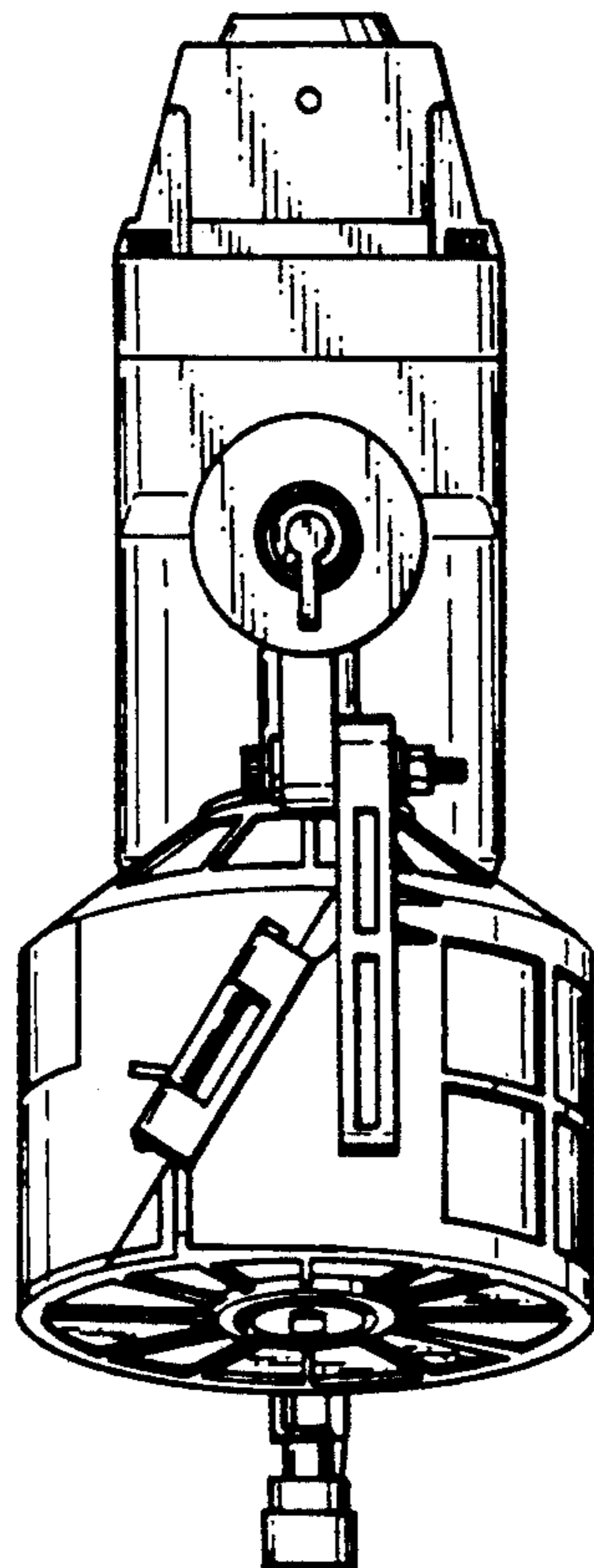


Fig. 6

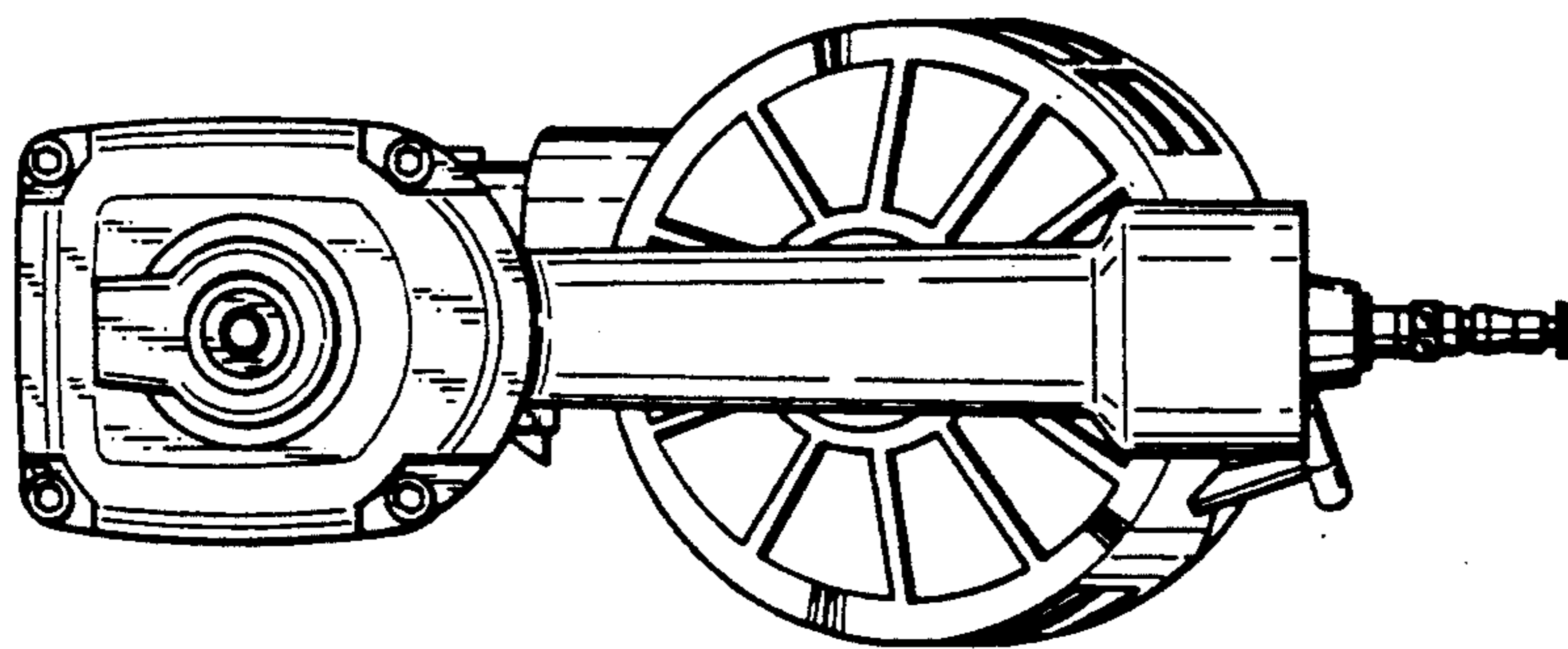


Fig. 7

