



US00D337242S

United States Patent [19]

Steinfels, III

[11] Patent Number: Des. 337,242

[45] Date of Patent: ** Jul. 13, 1993

[54] BEVERAGE HOLDER

[76] Inventor: Victor E. Steinfels, III, 8627
Gavington Ct., Dublin, Ohio 43017

[**] Term: 14 Years

[21] Appl. No.: 788,760

[22] Filed: Nov. 7, 1991

[52] U.S. Cl. D7/623; D7/514

[58] Field of Search D7/606, 604, 619-623,
D7/514, 515, 533; D11/149; D9/307, 320;
229/1.5 H; 248/311.2

[56] References Cited

U.S. PATENT DOCUMENTS

- D. 243,578 3/1979 Danat D7/514
- D. 250,444 12/1978 Danat et al. D7/514
- D. 314,492 2/1991 Weller et al. D7/623

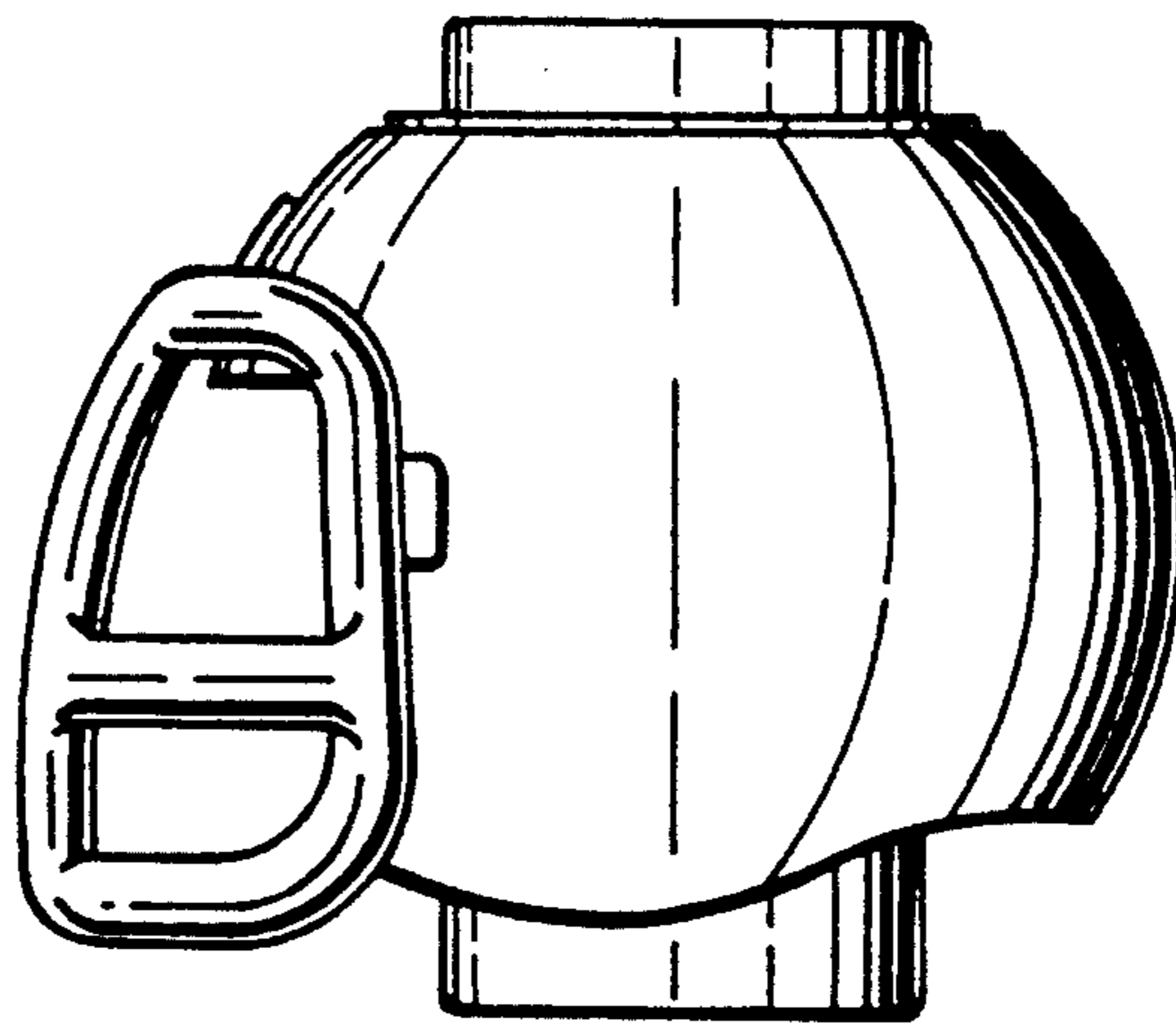
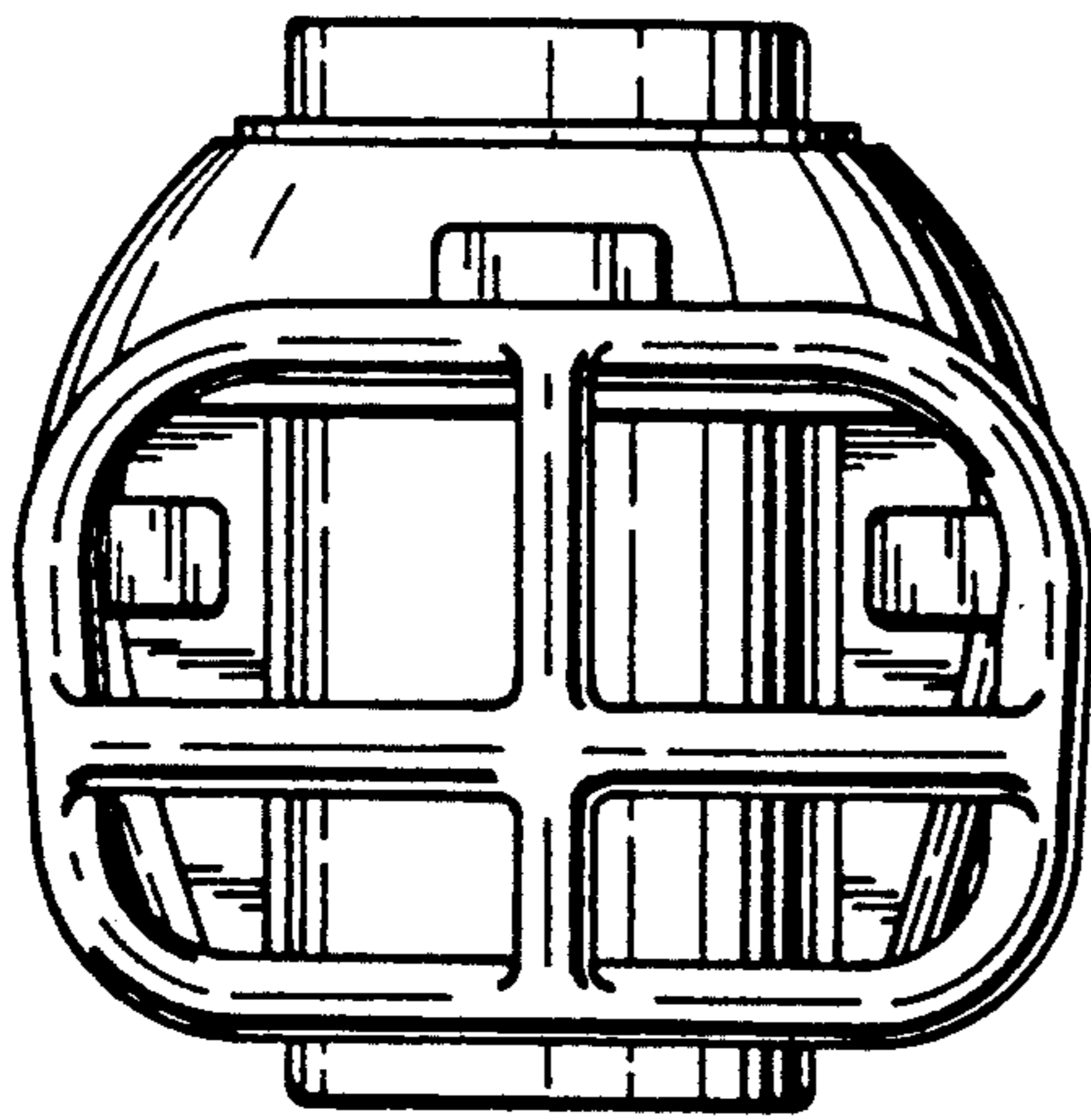
Primary Examiner—Terry A. Pfeffer
Attorney, Agent, or Firm—Mueller and Smith

[57] CLAIM

The ornamental design for beverage holder, as shown.

DESCRIPTION

FIG. 1 is a front view of the beverage holder showing my new design;
FIG. 2 is a left view thereof;
FIG. 3 is a rear view thereof;
FIG. 4 is a top view thereof; and,
FIG. 5 is a bottom view thereof.



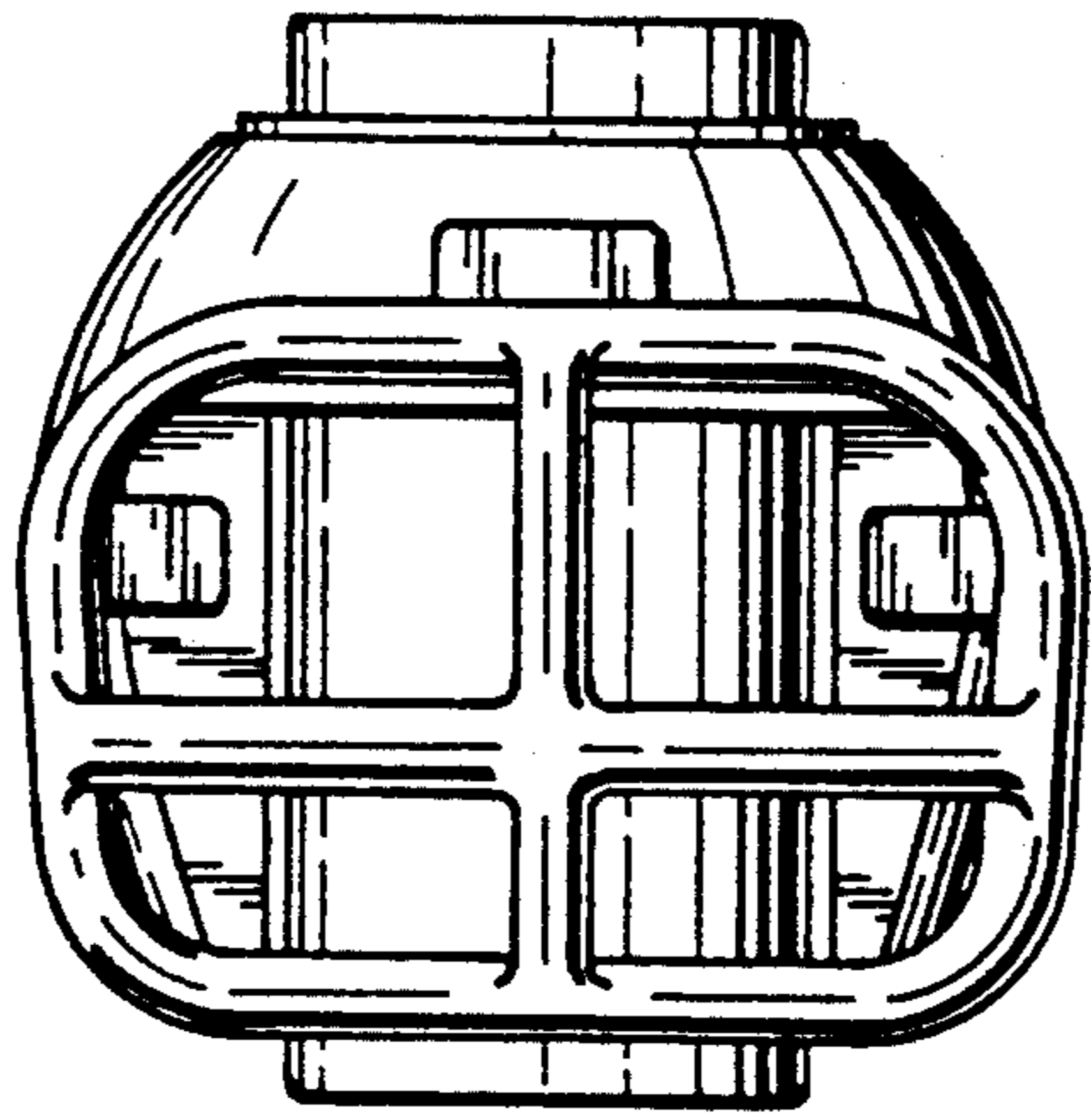


FIG. 1

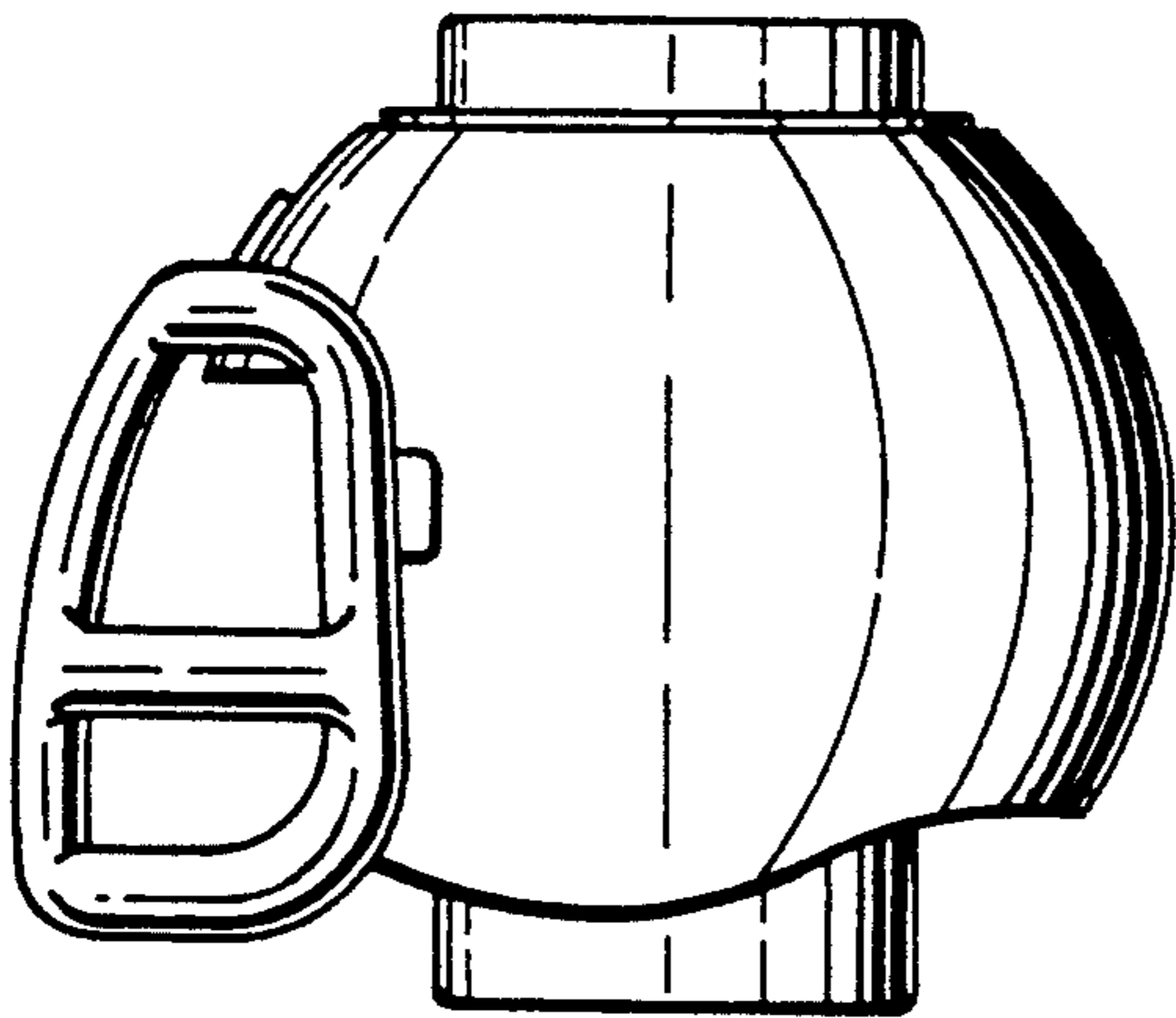


FIG. 2

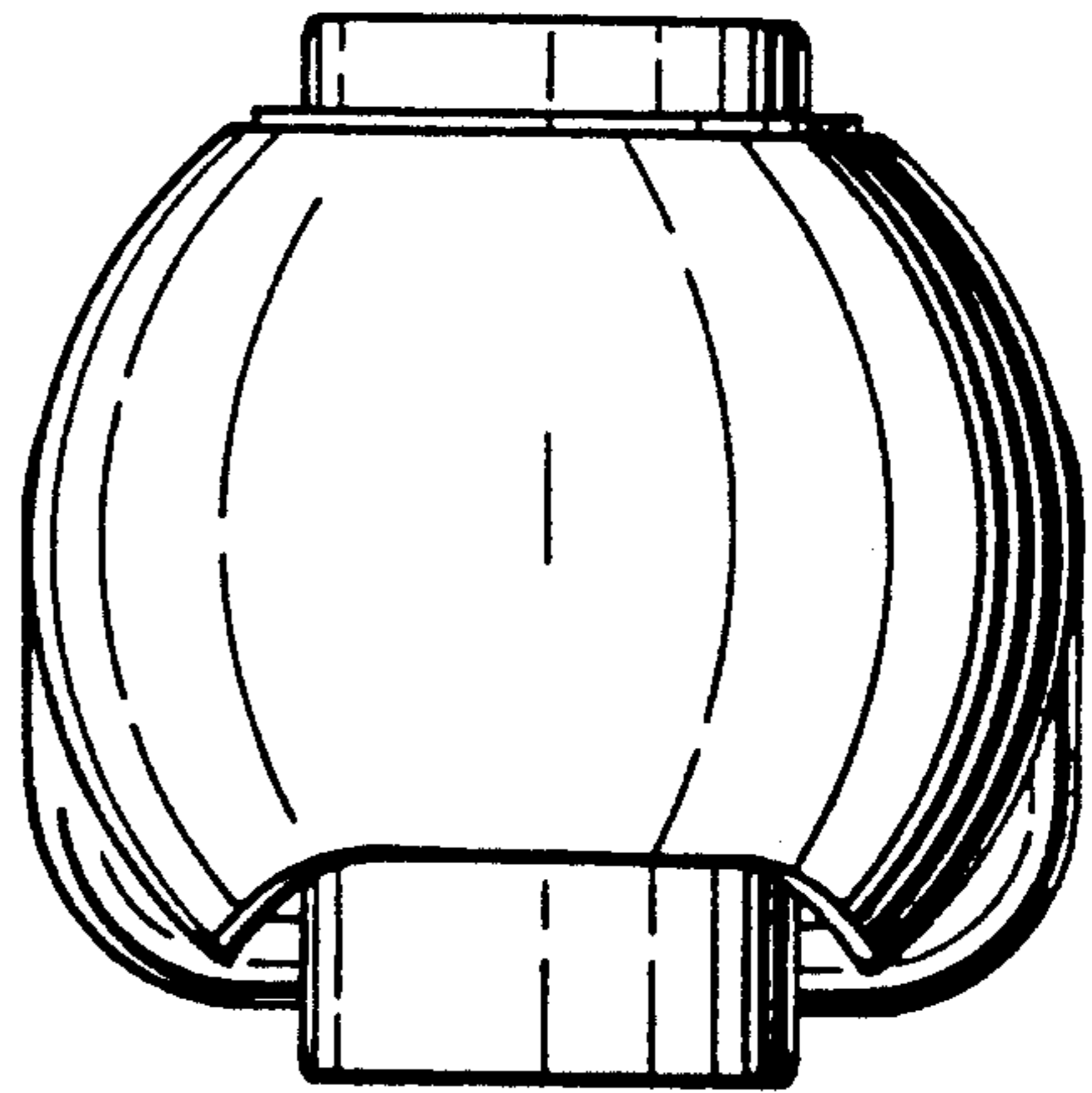


FIG. 3

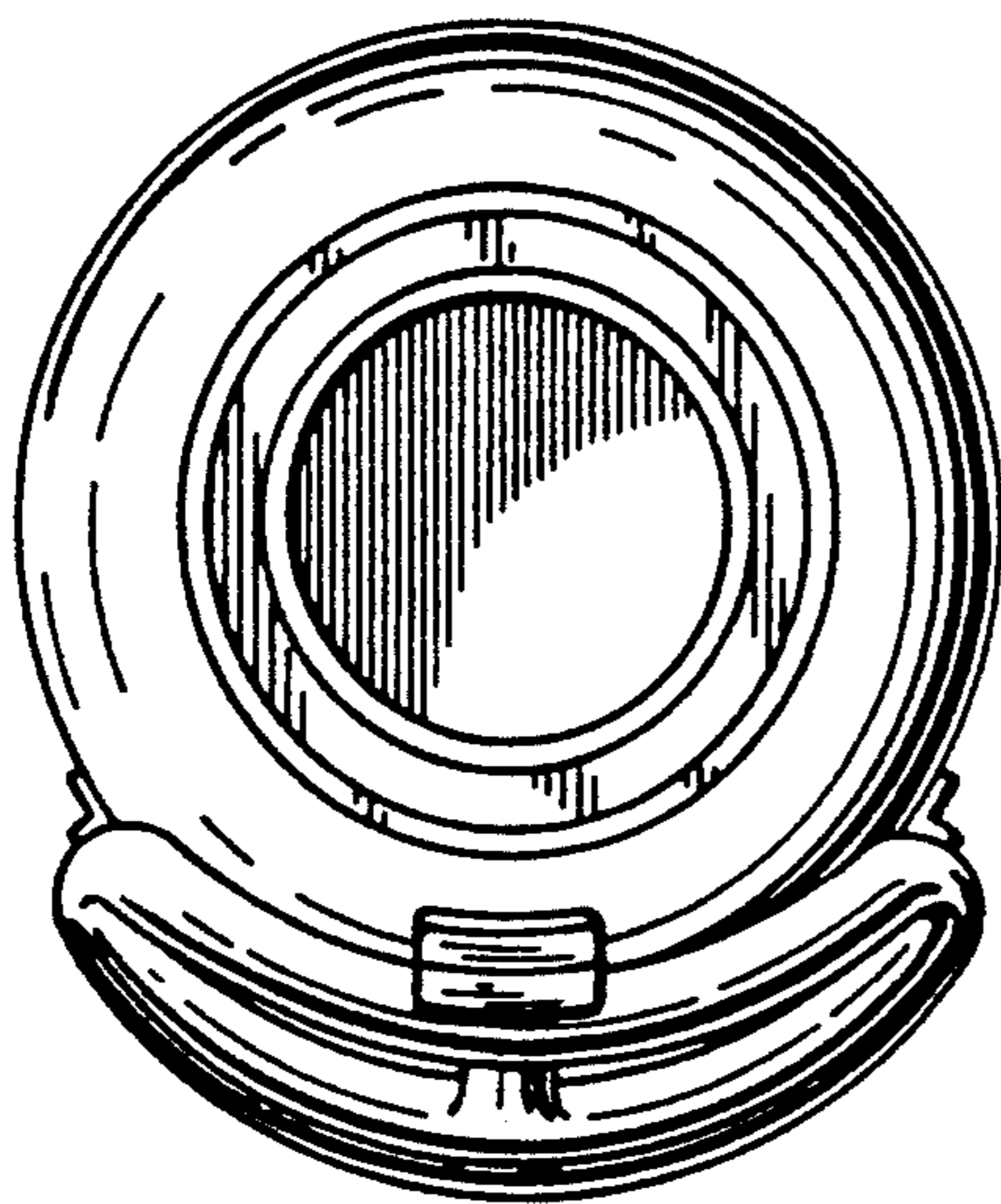


FIG. 4

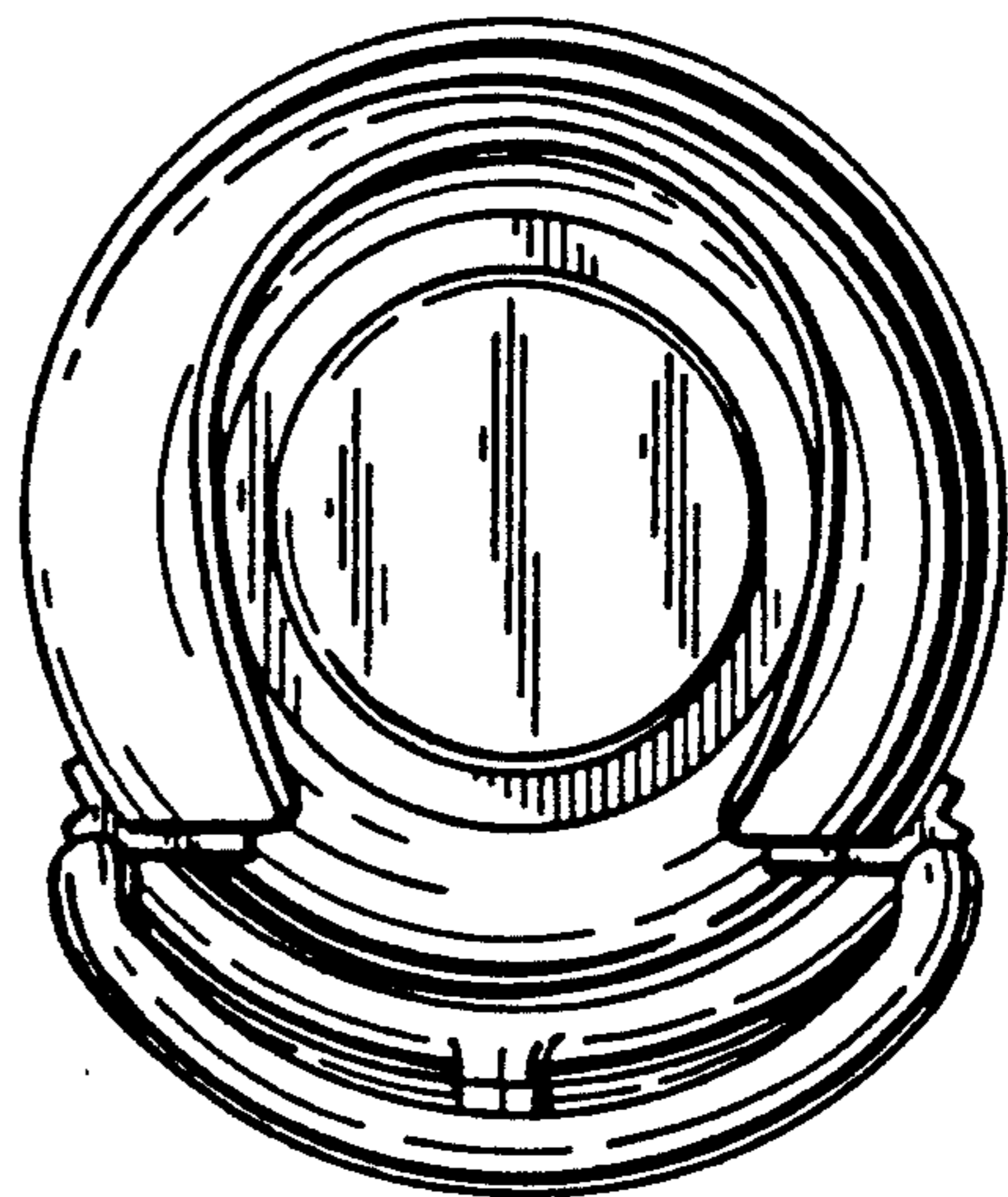


FIG. 5