



US00D337240S

United States Patent [19]

[11] Patent Number: **Des. 337,240**

Levin

[45] Date of Patent: **** Jul. 13, 1993**

[54] **BASE FOR ELECTRIC BLENDER**

D. 251,231 3/1979 Hashimoto D7/384
D. 255,759 7/1980 Ernest D7/378 X
D. 259,133 5/1981 Klawitter D7/378 X

[76] Inventor: **Monte Levin, 300 E. 56th St.,
Apartment 18M, New York, N.Y.
10022**

Primary Examiner—Alan P. Douglas
Assistant Examiner—Caron D. Veynar

[**] Term: **14 Years**

[57] **CLAIM**

[21] Appl. No.: **749,818**

The ornamental design for a base for electric blender, as shown and described.

[22] Filed: **Aug. 26, 1991**

[52] U.S. Cl. **D7/386; D7/412**

DESCRIPTION

[58] Field of Search **D7/376-378,
D7/381-384, 386, 412; 366/129, 130, 197, 199,
204, 205, 314**

FIG. 1 is a perspective view of a base for electric blender showing my new design, the broken line showing of a blender container is environmental only and forms no part of the claimed design;

[56] References Cited

U.S. PATENT DOCUMENTS

D. 200,285 2/1965 Madl D7/386
D. 215,569 10/1969 Levin D7/386
D. 215,782 10/1969 Steinkamp D7/386
D. 235,608 7/1975 Yoshida et al. D7/378

FIG. 2 is a front view;

FIG. 3 is a top view;

FIG. 4 is a bottom view;

FIG. 5 is a right side view, the left side view being reversed but otherwise identical; and,

FIG. 6 is a rear view.

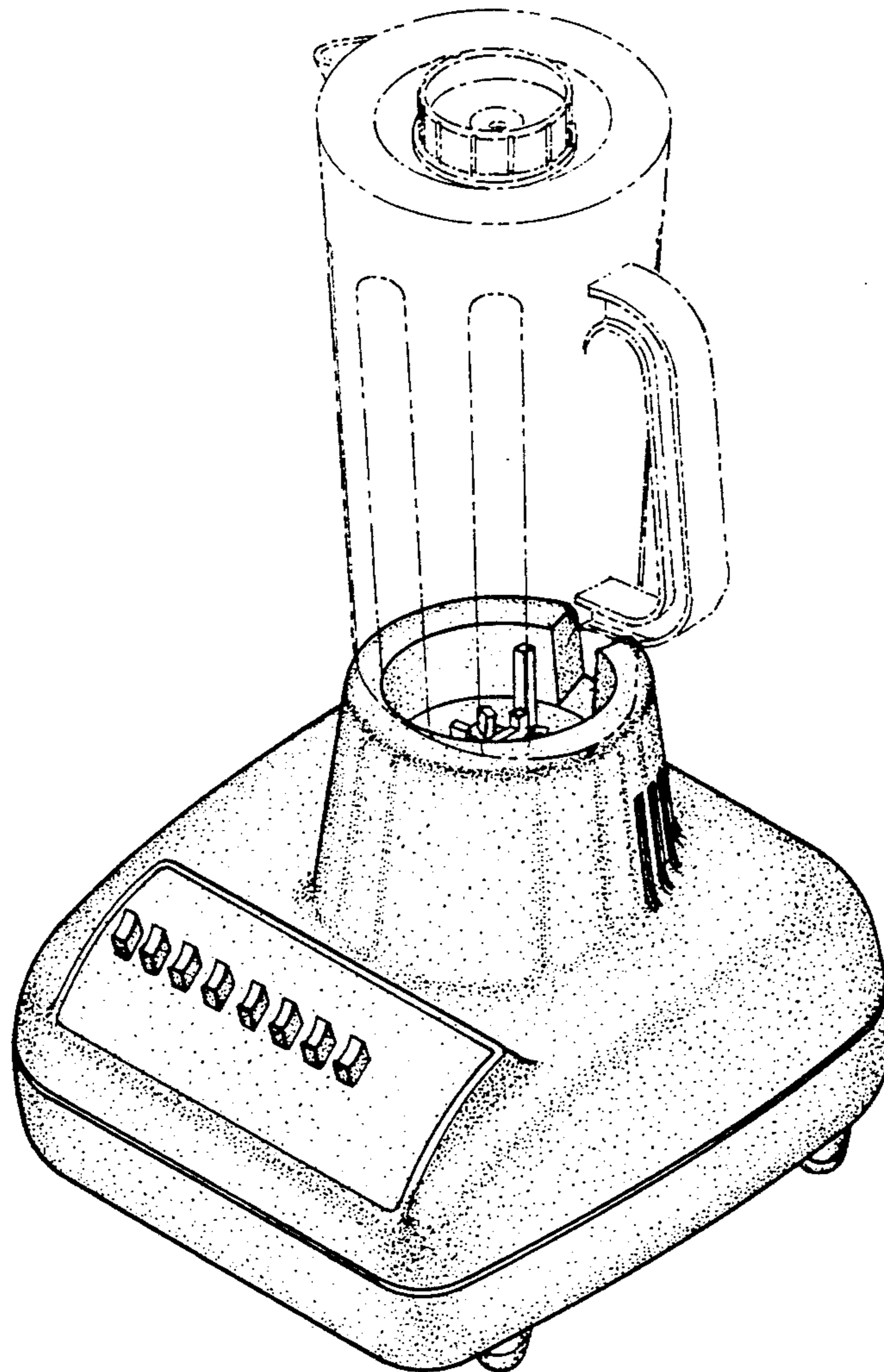


FIG. 1

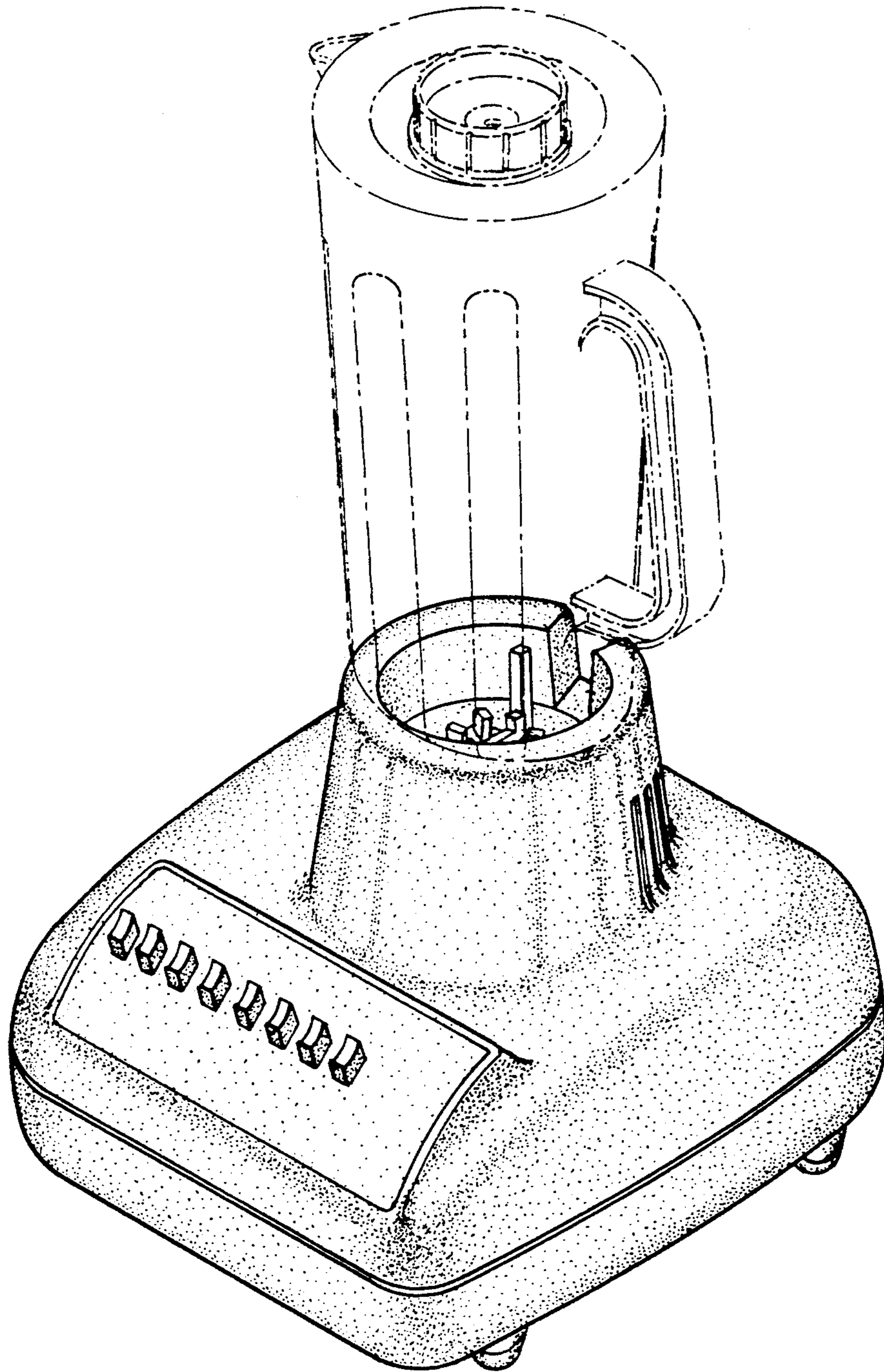


FIG. 2

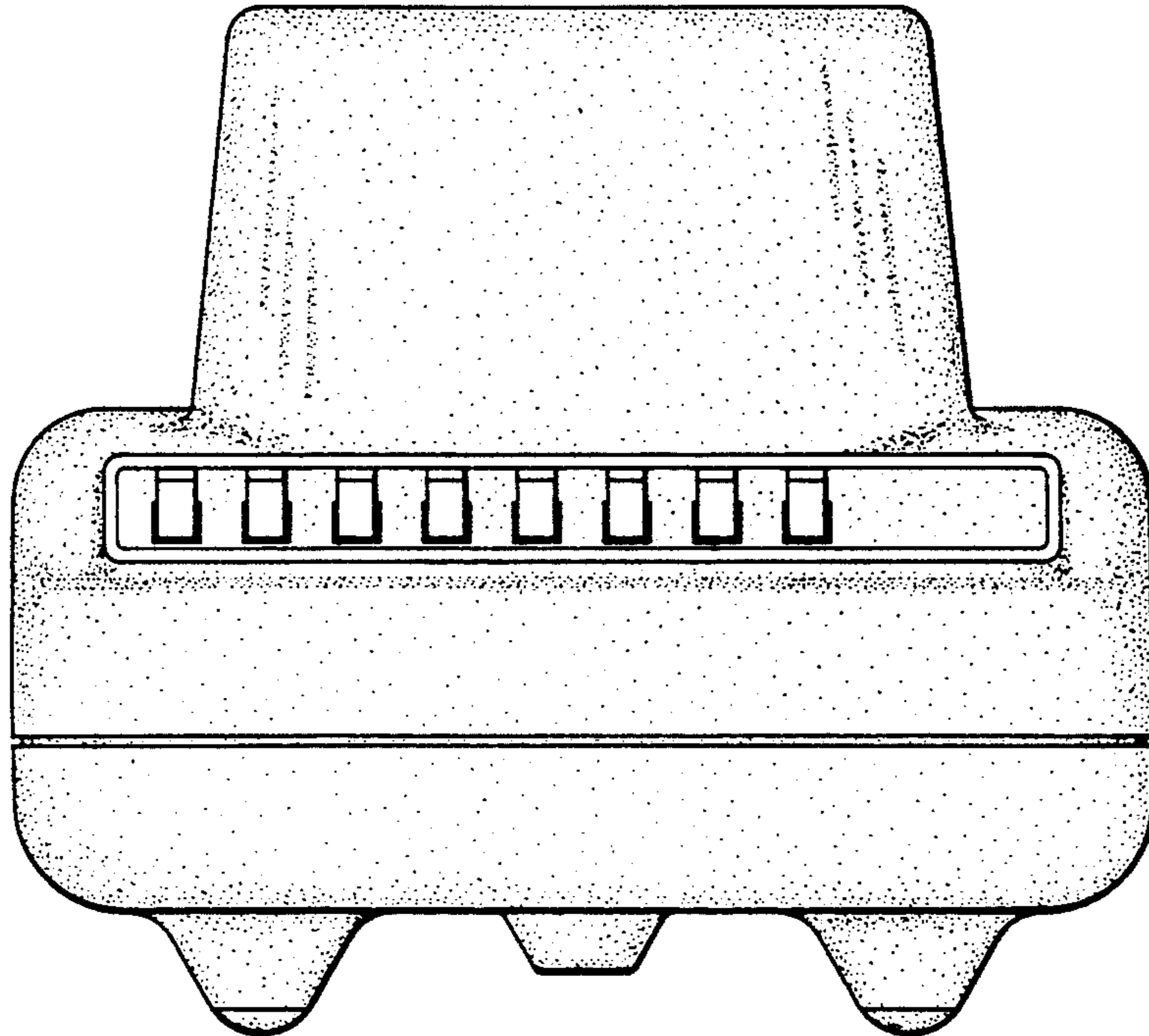


FIG. 3

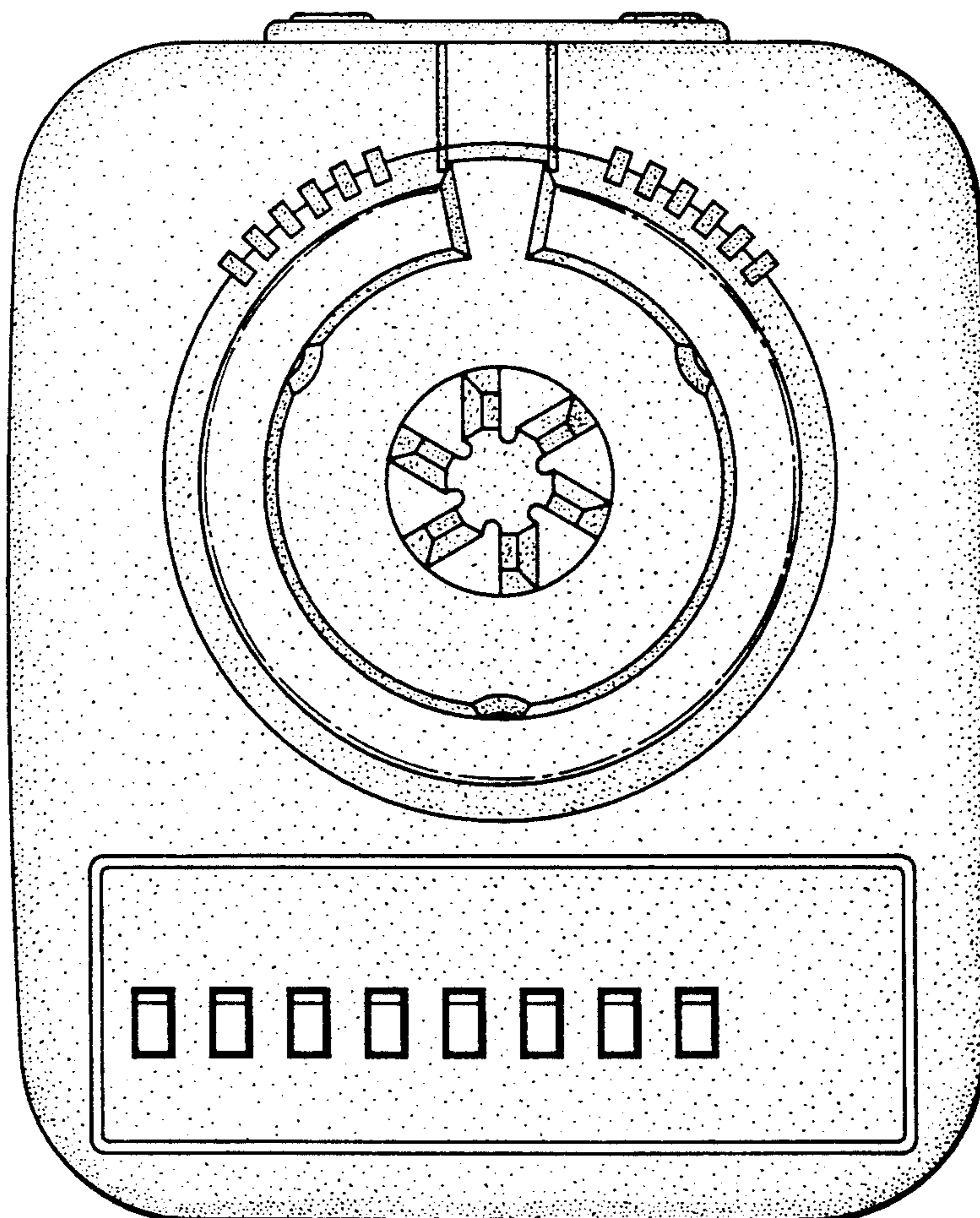


FIG. 4

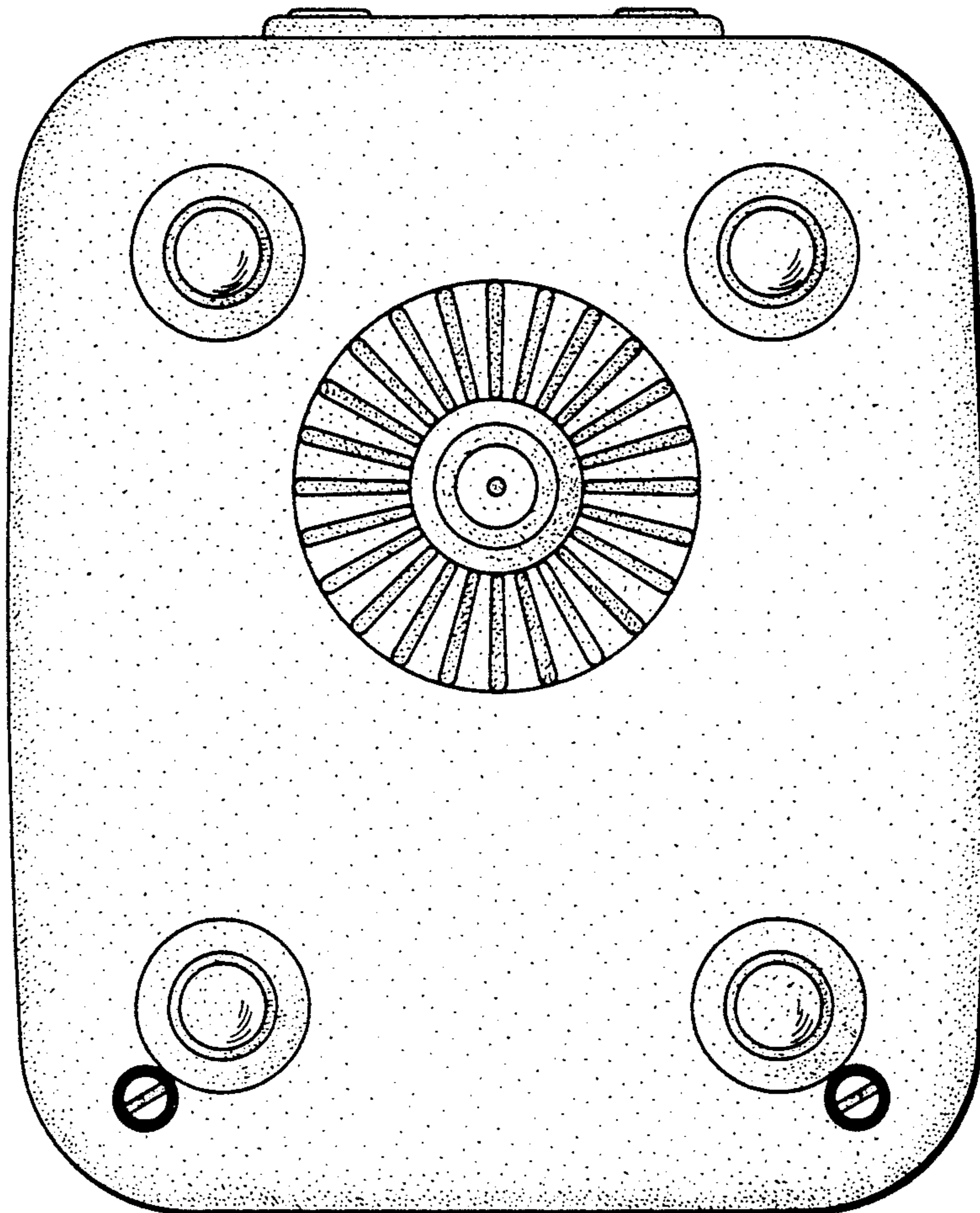


FIG. 5

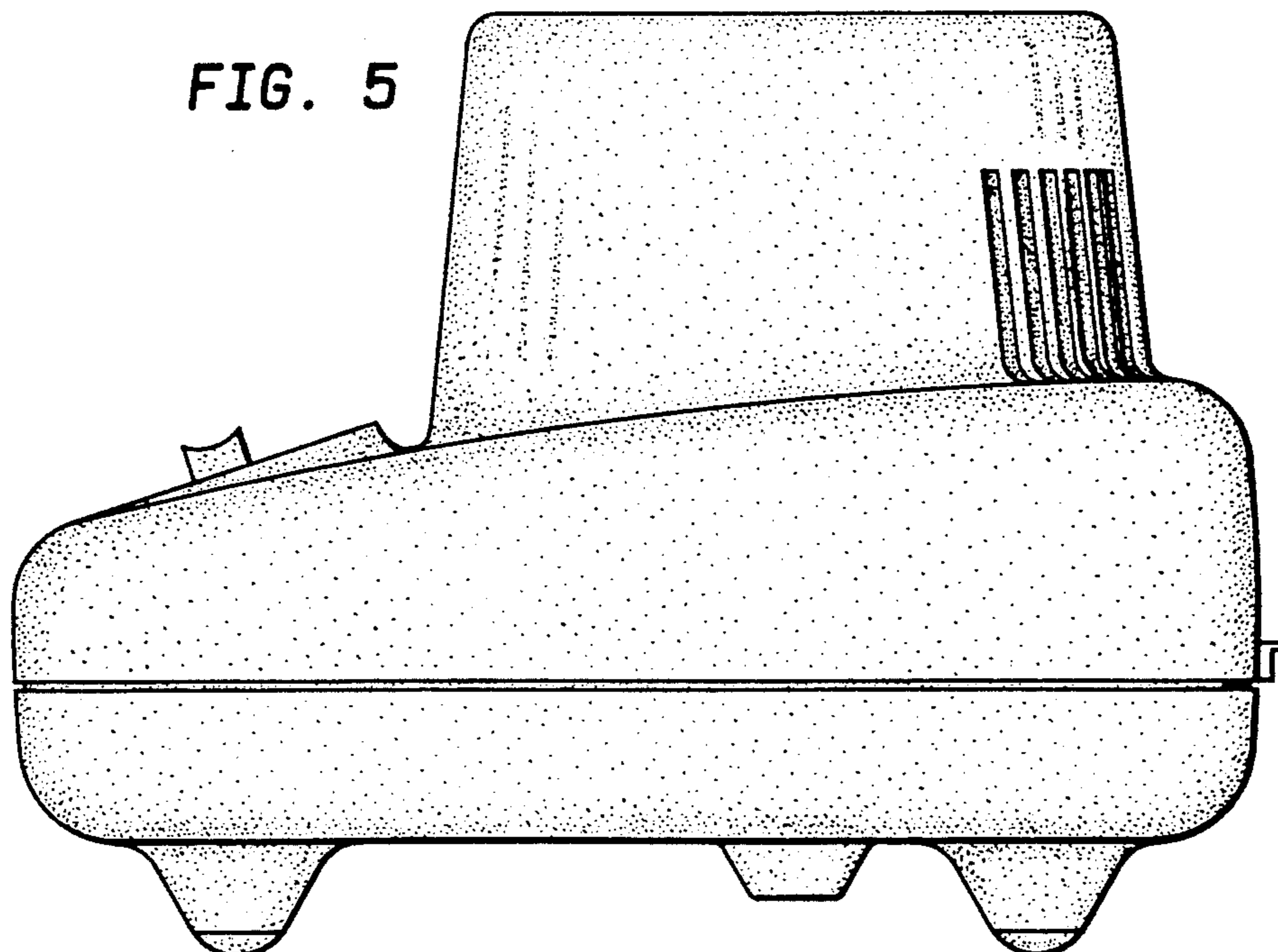


FIG. 6

