



US00D337239S

# United States Patent [19]

Lin

[11] Patent Number: **Des. 337,239**

[45] Date of Patent: **\*\* Jul. 13, 1993**

[54] ICE SHAVER

[76] Inventor: **Yong-Sue Lin**, No. 8, Alley 41, Lane 189, Section 1, An-Chon Road, Tainan, Taiwan

[\*\*] Term: **14 Years**

[21] Appl. No.: **682,706**

[22] Filed: **Apr. 9, 1991**

[52] U.S. Cl. .... **D7/374**

[58] Field of Search ..... **D7/372-374, D7/383, 384, 376; 241/82.1, 83, DIG. 17, 273.2, 274, 277, 279, 280, 278.1**

[56] **References Cited**

### U.S. PATENT DOCUMENTS

- D. 252,847 9/1979 Cannon et al. .... D7/372
- D. 304,897 12/1989 Lin ..... D7/374
- D. 305,602 1/1990 Inomata ..... D7/374

- D. 318,776 8/1991 Lin ..... D7/374
- 3,679,140 7/1972 Kaishita et al. .... D7/374

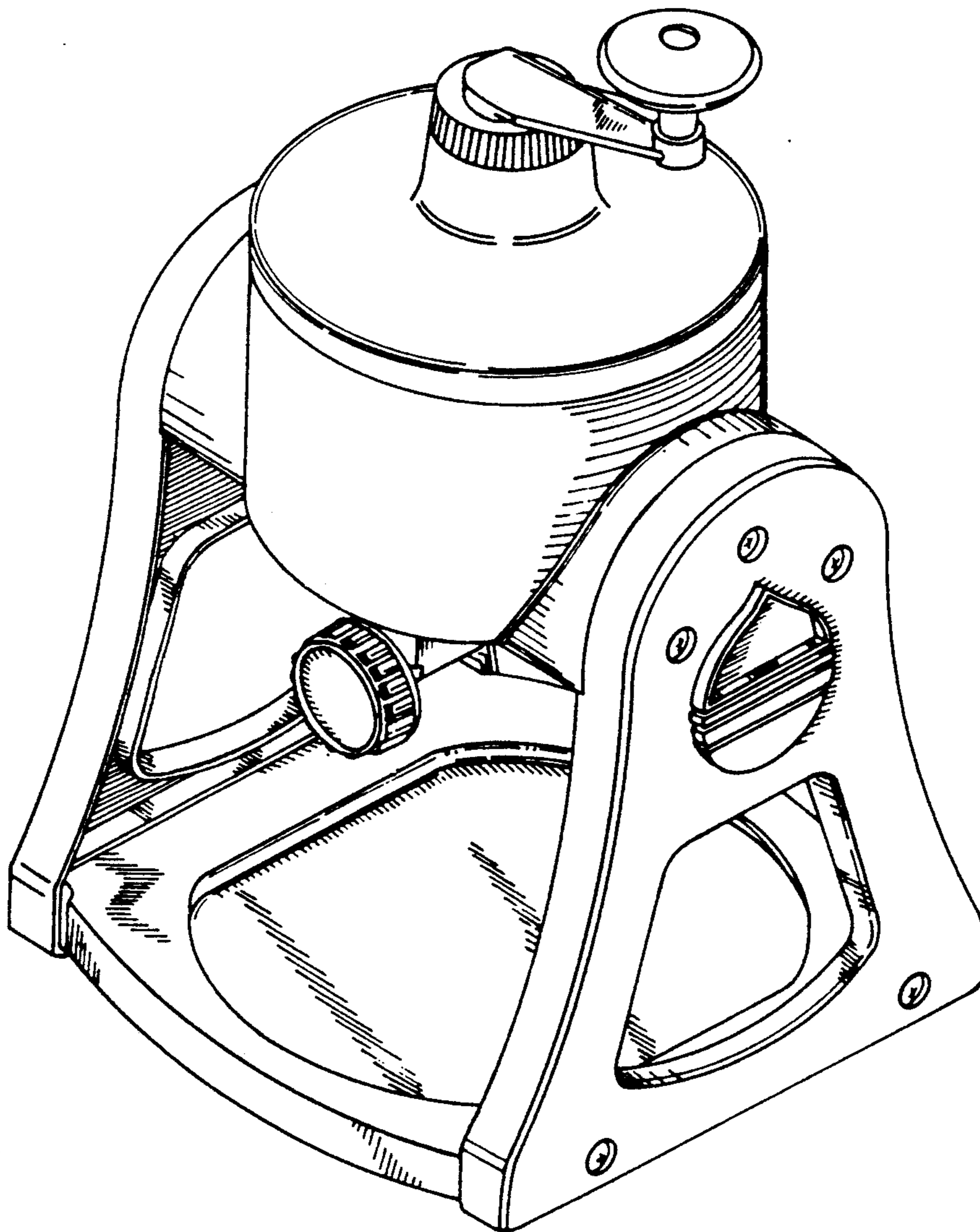
*Primary Examiner*—Ruth McInroy  
*Attorney, Agent, or Firm*—Morton J. Rosenberg; David I. Klein

### [57] CLAIM

The ornamental design for an ice shaver, as shown and described.

### DESCRIPTION

FIG. 1 is a perspective view of an ice shaver, showing my new design;  
 FIG. 2 is a front elevational view thereof;  
 FIG. 3 is a rear elevational view thereof;  
 FIG. 4 is a right side elevational view thereof;  
 FIG. 5 is a left side elevational view thereof;  
 FIG. 6 is a top plan view thereof; and,  
 FIG. 7 is a bottom plan view thereof.



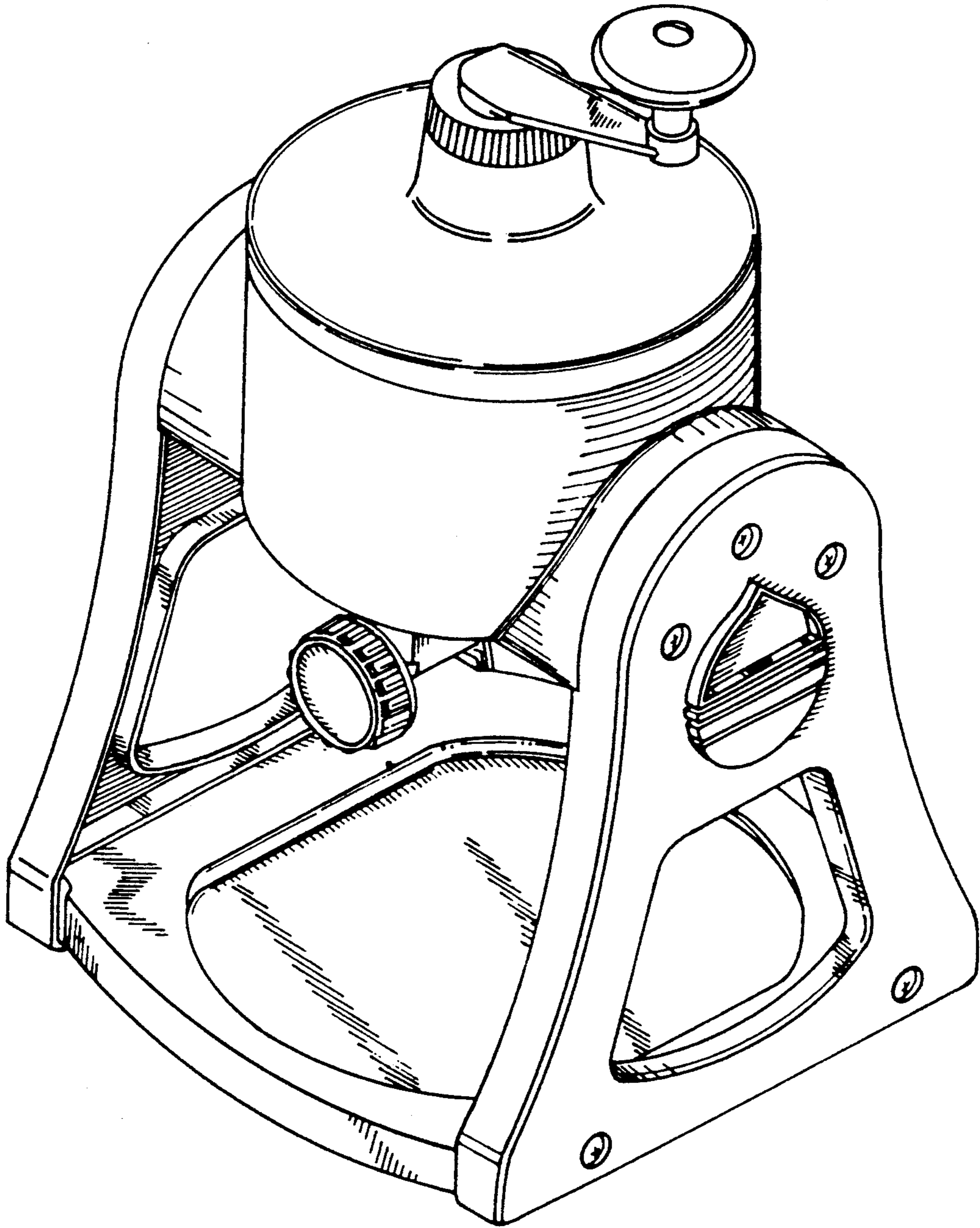


FIG. 1

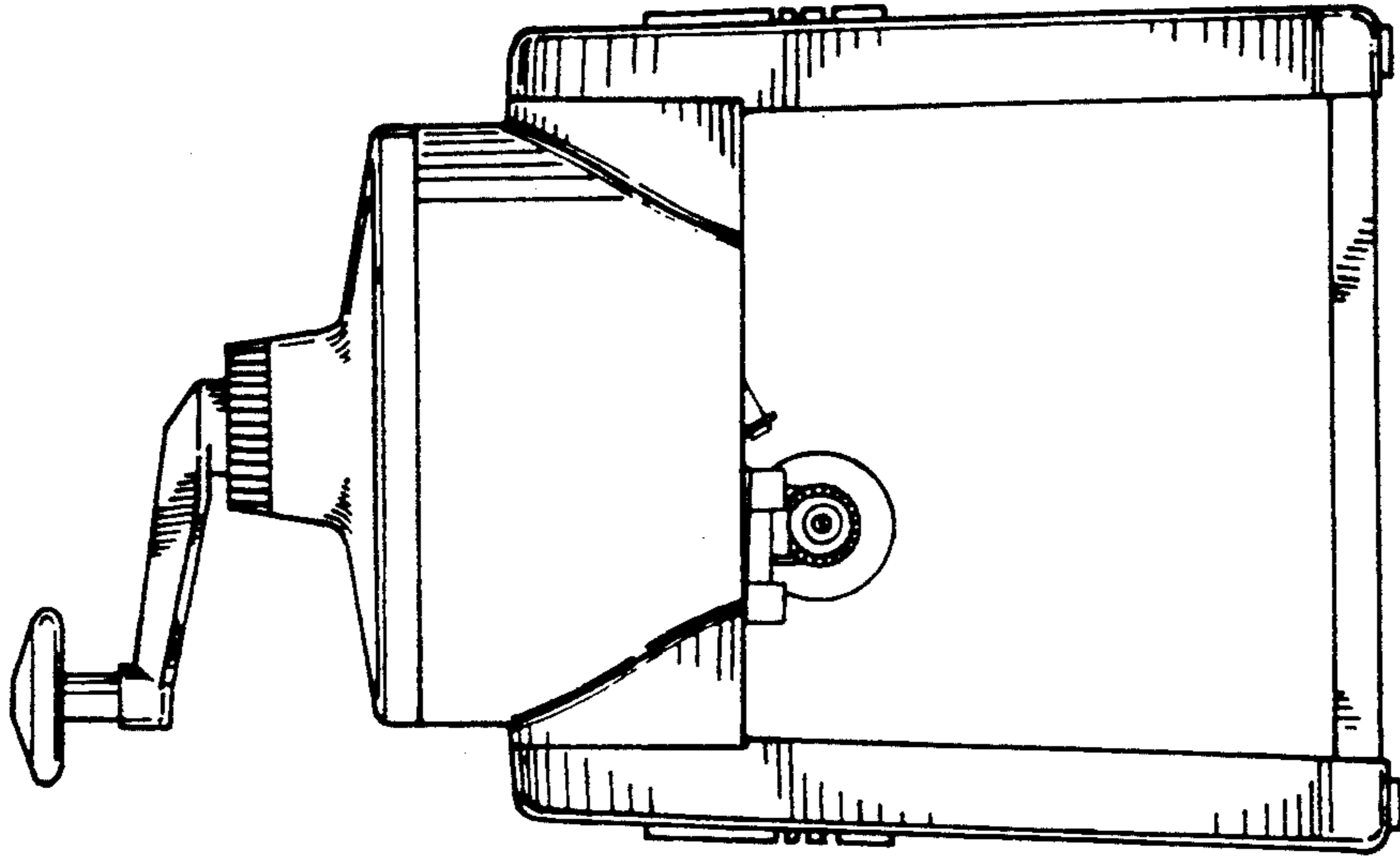


FIG. 3

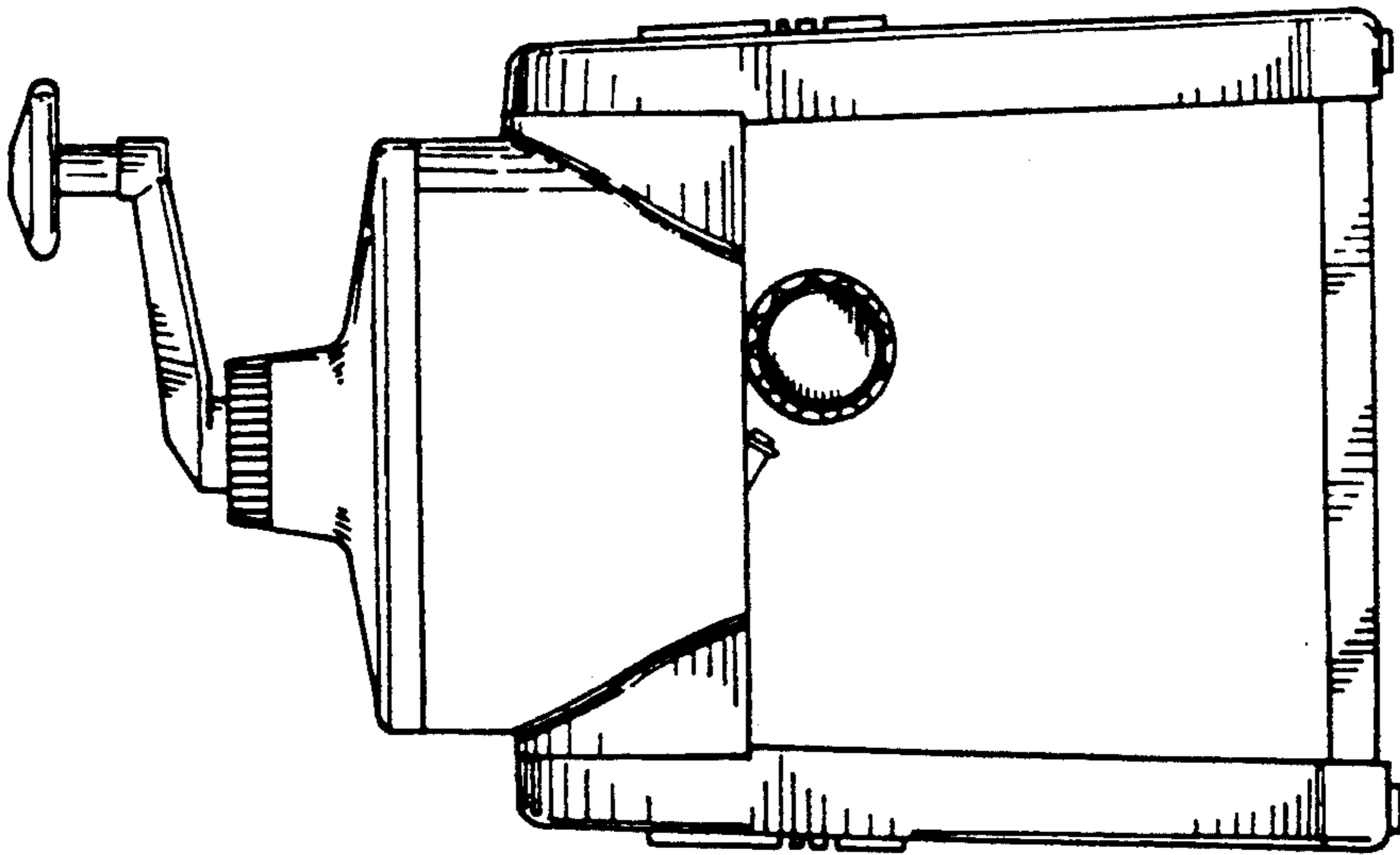


FIG. 2

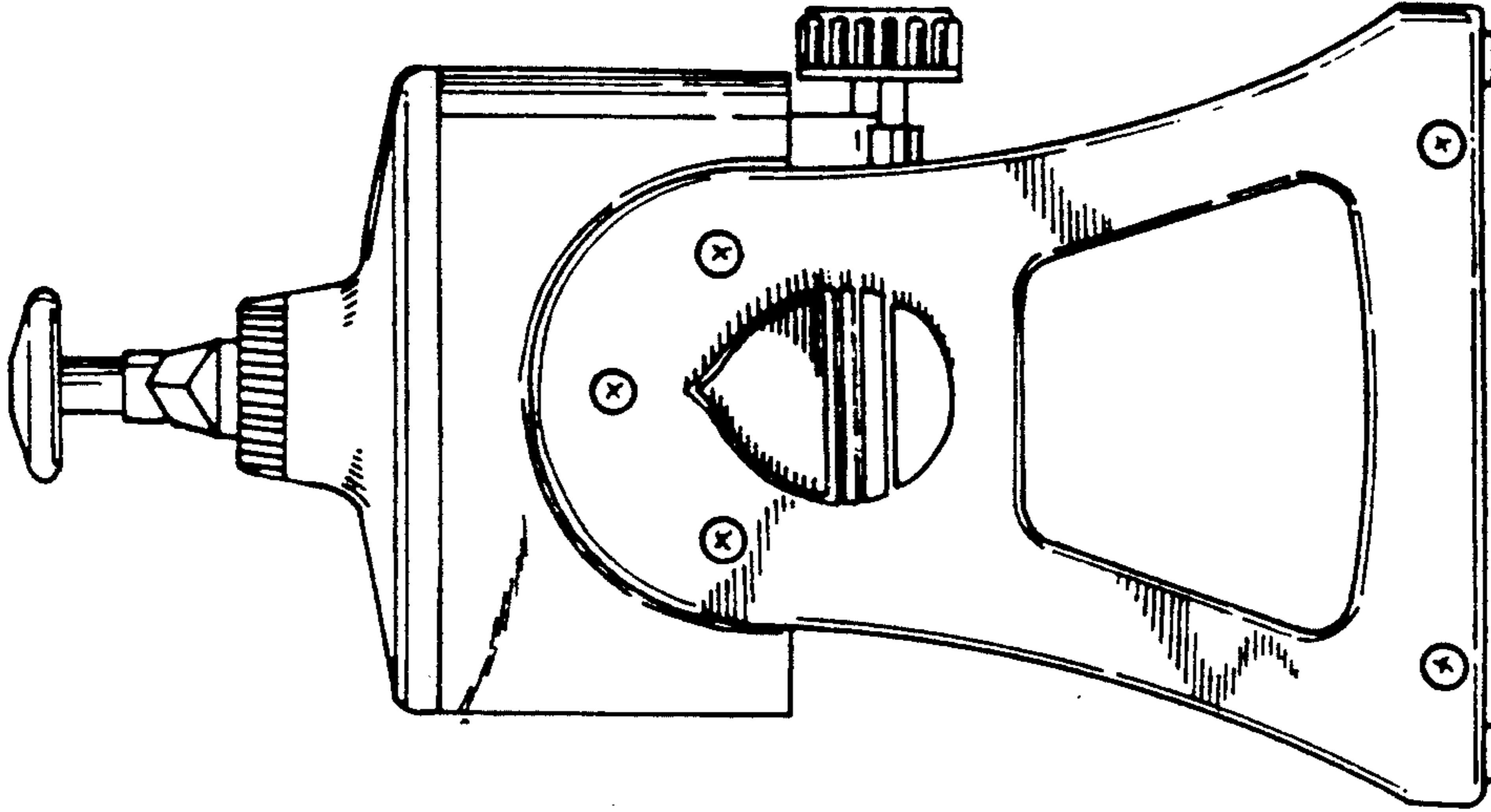


FIG. 4

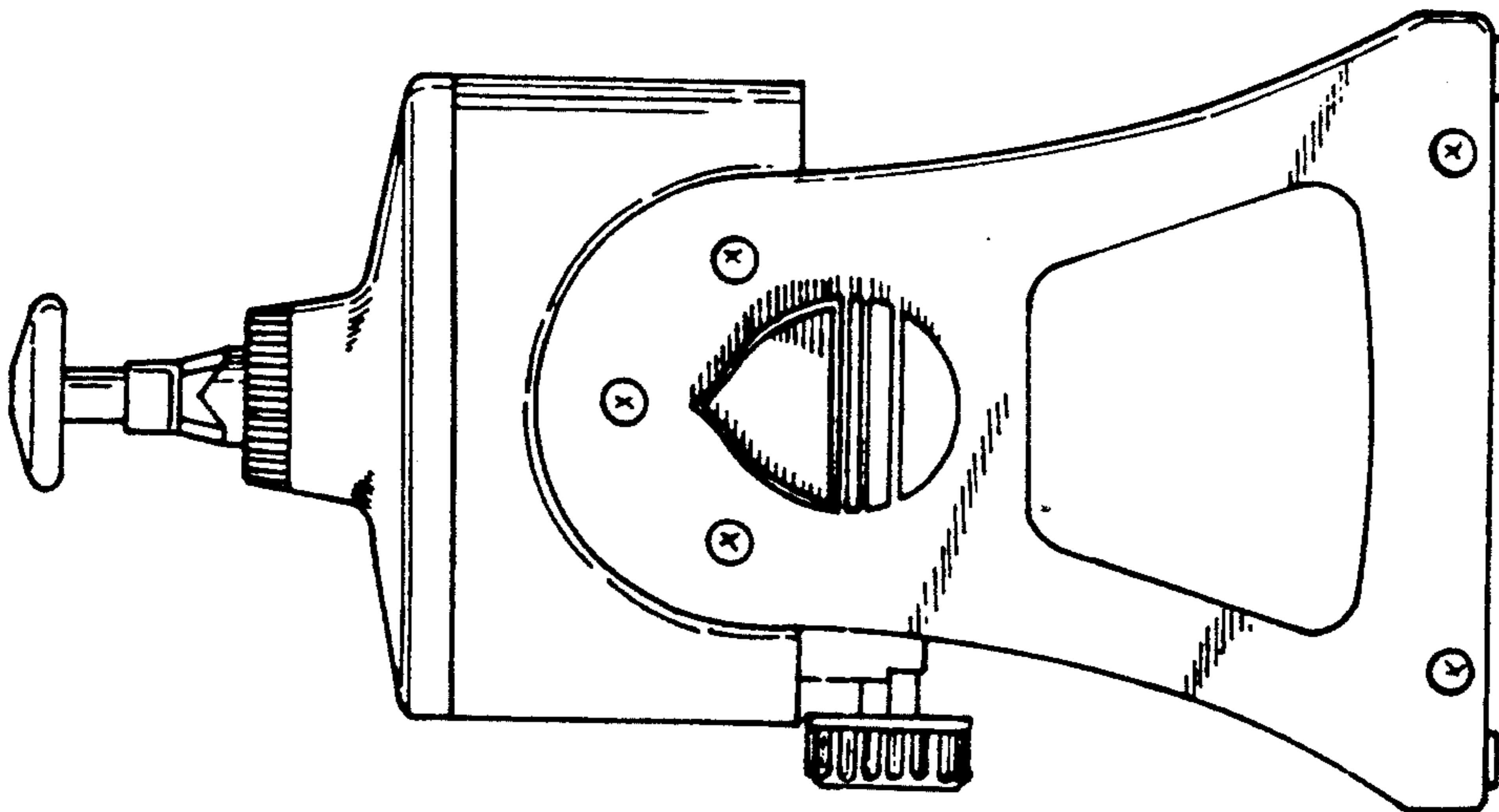


FIG. 5

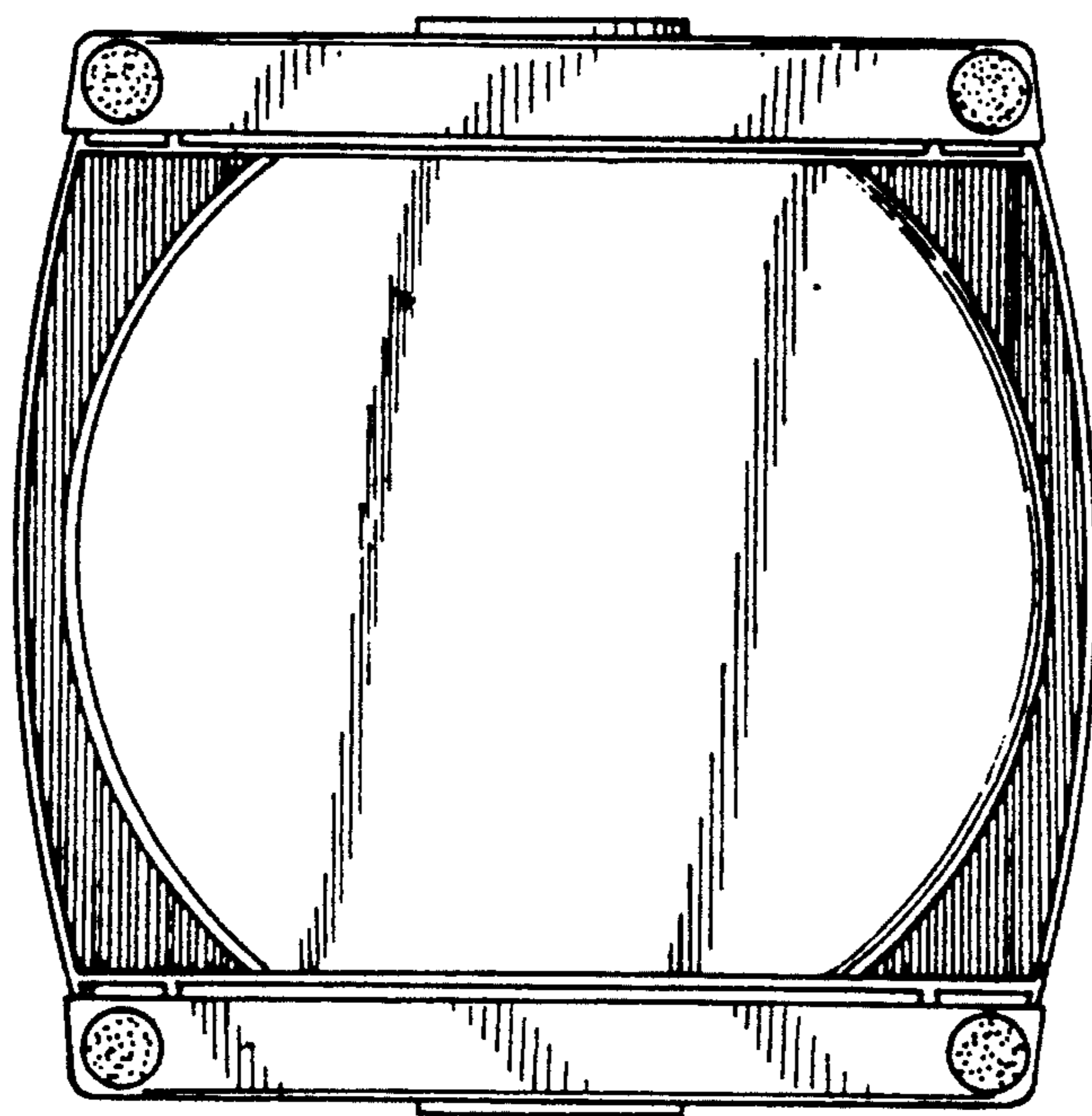


FIG. 7

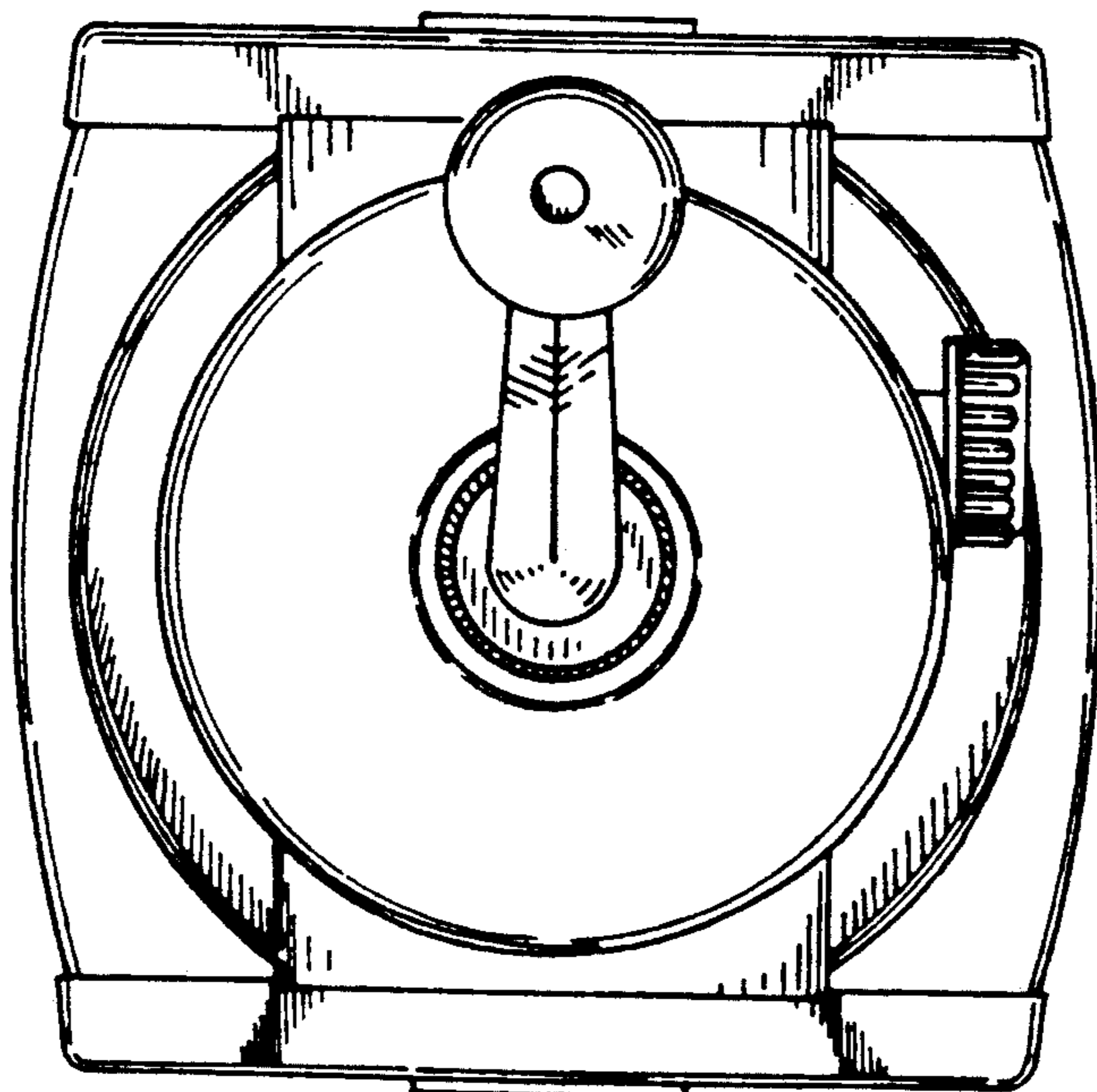


FIG. 6