



US00D337237S

United States Patent [19]

[11] Patent Number: **Des. 337,237**

Frizell

[45] Date of Patent: **** Jul. 13, 1993**

[54] **COOKING GRILL**

1,438,792	12/1922	Snyder	126/21	R
3,517,602	6/1970	Horton	99/482	X
4,867,051	9/1989	Schalk	99/446	X

[75] Inventor: **Boyd D. Frizell, Jacksonville, Fla.**

[73] Assignee: **Jesse Delgado, Hartland, Wis.**

[**] Term: **14 Years**

[21] Appl. No.: **353,777**

[22] Filed: **May 18, 1989**

[52] U.S. Cl. **D7/332**

[58] Field of Search **D7/332, 337, 338, 348, D7/334; 126/21 A, 25 R, 29, 9 R; 99/425, 482, 446; D23/318, 319, 202, 205; D6/495, 499**

OTHER PUBLICATIONS

Royal Chrome, Royal Metal Manufacturing Company, Chicago, Ill., C 1941, p. 58 #41.

Primary Examiner—A. Hugo Word

Assistant Examiner—Paula A. Mortimer

Attorney, Agent, or Firm—Jansson & Shupe, Ltd.

[57] CLAIM

The ornamental design for a cooking grill, as shown.

DESCRIPTION

FIG. 1 is a front elevational view of a cooking grill showing my new design;

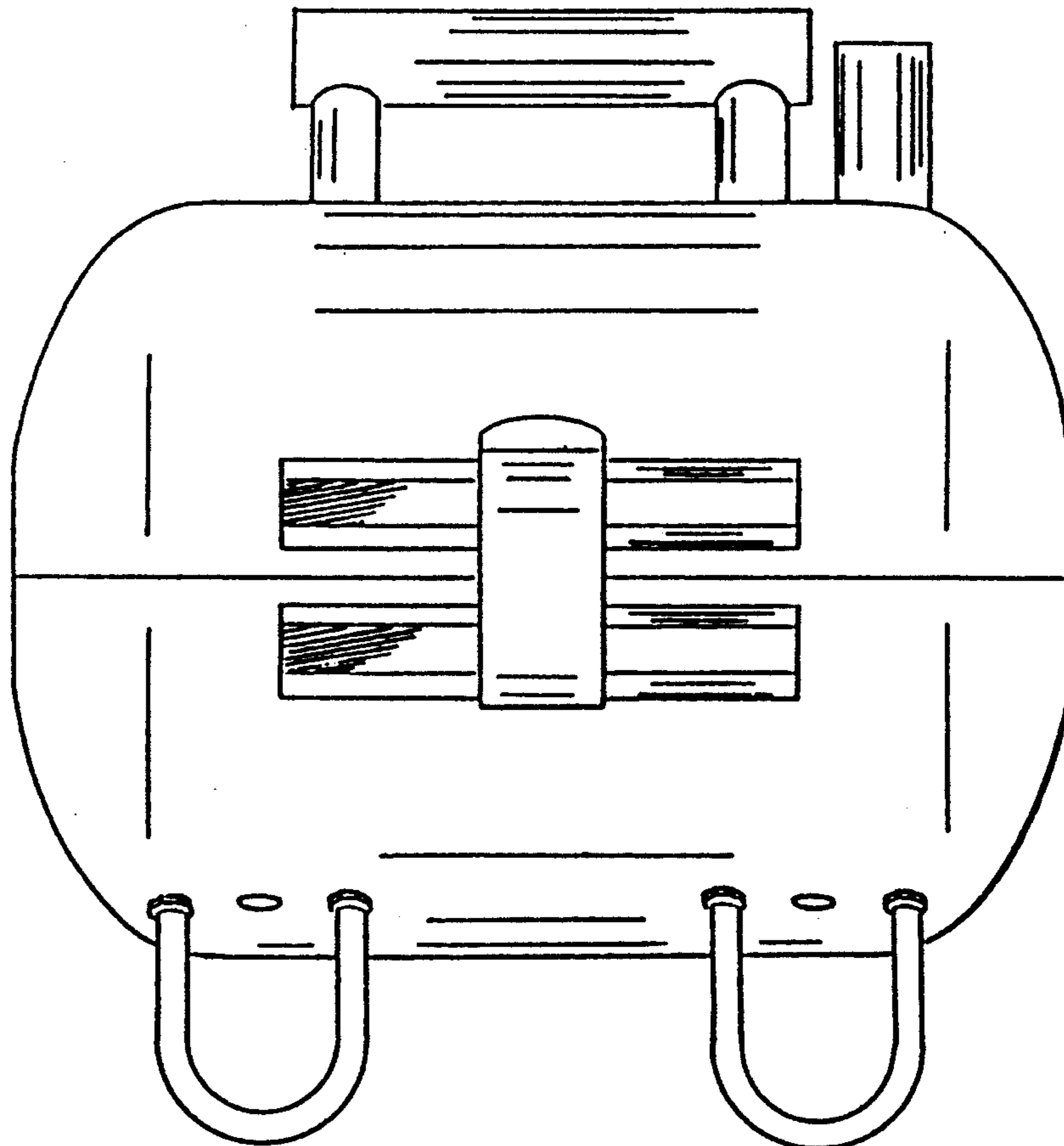
FIG. 2 is a top plan view thereof; and,

FIG. 3 is a side elevational view thereof.

[56] References Cited

U.S. PATENT DOCUMENTS

D. 243,310	2/1977	Heberling	D7/337
D. 295,135	4/1988	Ogden	D7/334



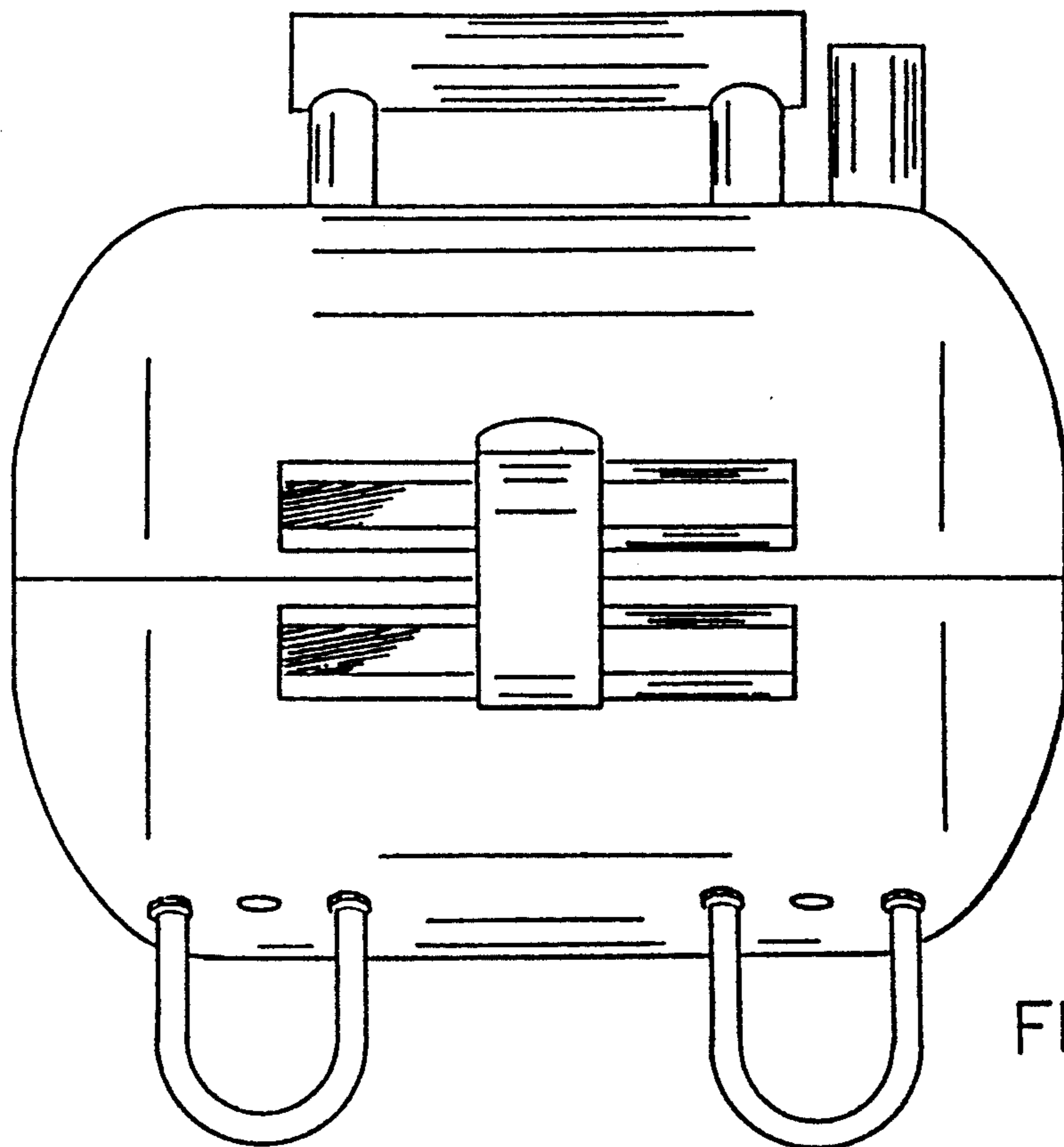


FIG. 1

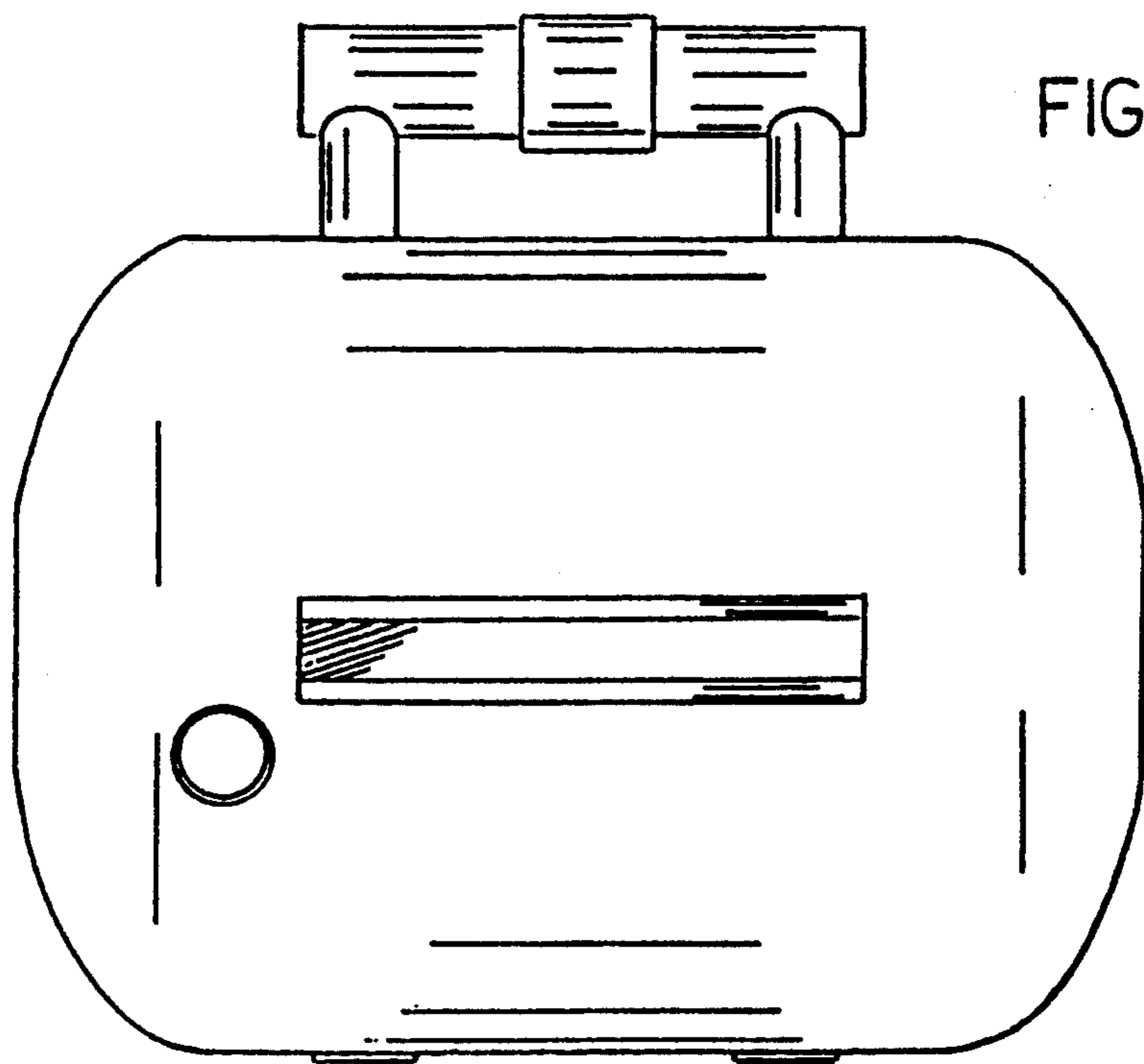


FIG. 2

FIG. 3

